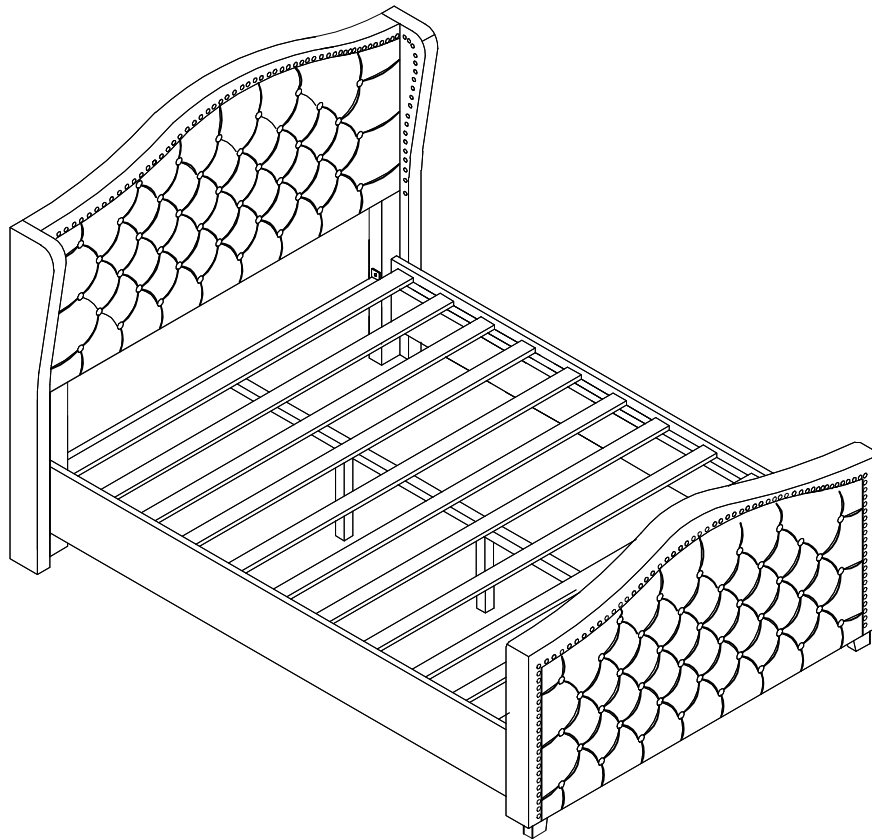


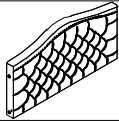
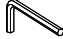






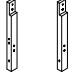

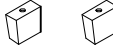
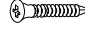

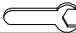
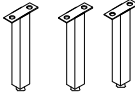
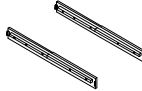
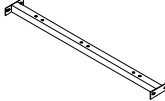
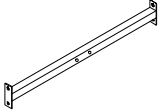
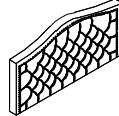
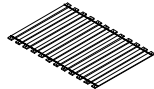
# ASSEMBLY INSTRUCTION

## ITEM NO:510&520-QUEEN

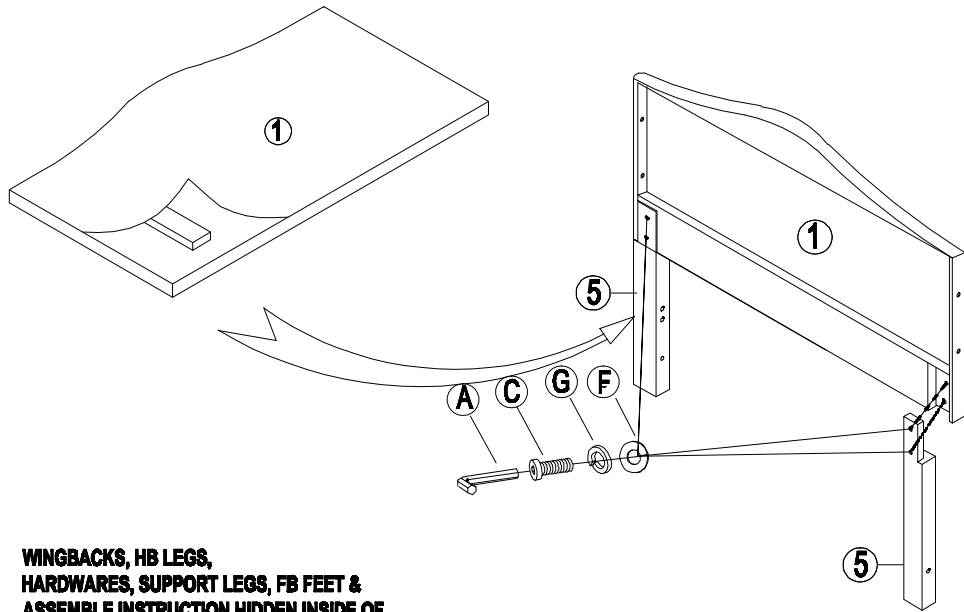
**IMPORTANT: PLACE ALL PARTS ON A CLEAN AND SMOOTH SURFACE SUCH AS A RUG OR CARPET TO AVOID THE PARTS FROM BEING SCRATCHED**  
**KINDLY FOLLOW THE ASSEMBLY INSTRUCTIONS STEP**  
**DO NOT TIGHTEN ALL SCREWS UNTIL THE BED IS FULLY SET-UP**



### Bed is packed in 3 carton

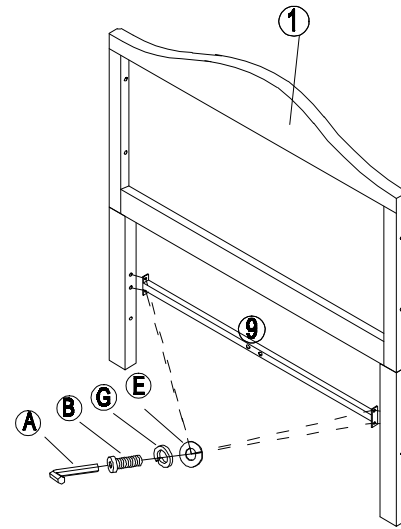
Carton	Disignation	Part	Hardware
(1/3)	1.Headboard		 #A x 1PC  #B x 14PCS  #C x 18PCS  #D x 2PCS
	4.Wingback(2pcs)		 #E x 50PCS  #F x 10PCS
	5.HB Leg(2pcs)		 #G x 28PCS
	6.FB Feet(2pcs)		 #H x 24PCS  #I x 8PCS  #J x 1PC
	7.Support Leg(3pcs)		
(3/3)	3.Side rail(2pcs)		
	8.Support rail		
	9.Crossband		
(2/3)	3.Footboard		
	7.Slats(12pcs)		

STEP 1

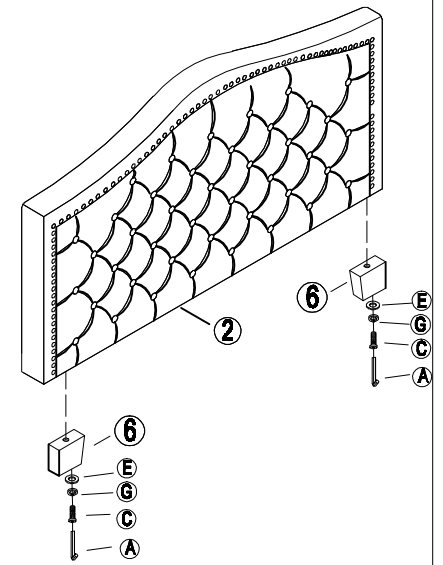


WINGBACKS, HB LEGS,  
HARDWARES, SUPPORT LEGS, FB FEET &  
ASSEMBLE INSTRUCTION HIDDEN INSIDE OF  
THE HEADBOARD, PLZ LIFT THE COVER .

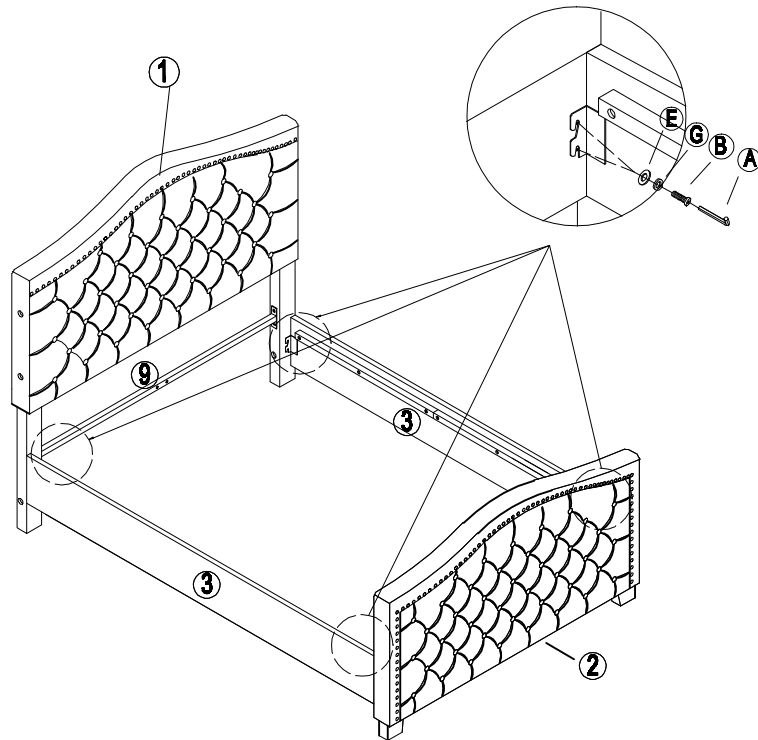
STEP 2



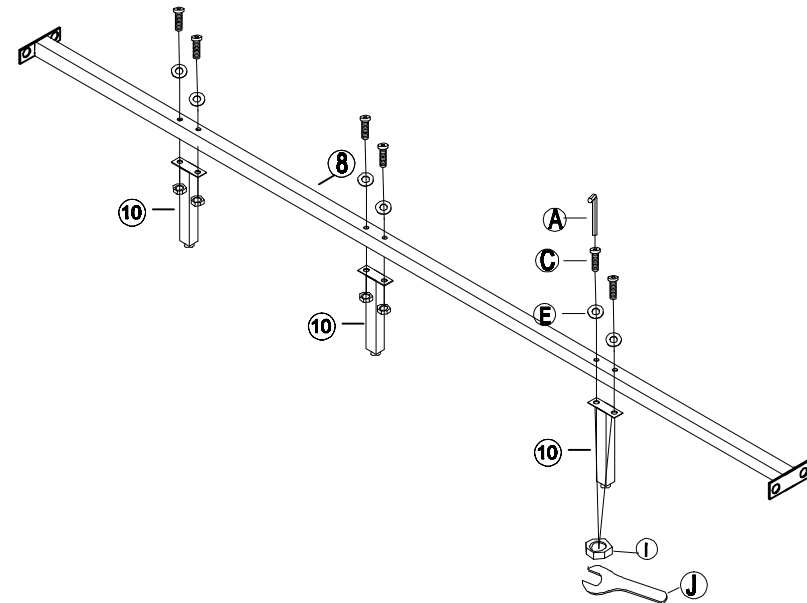
STEP 3



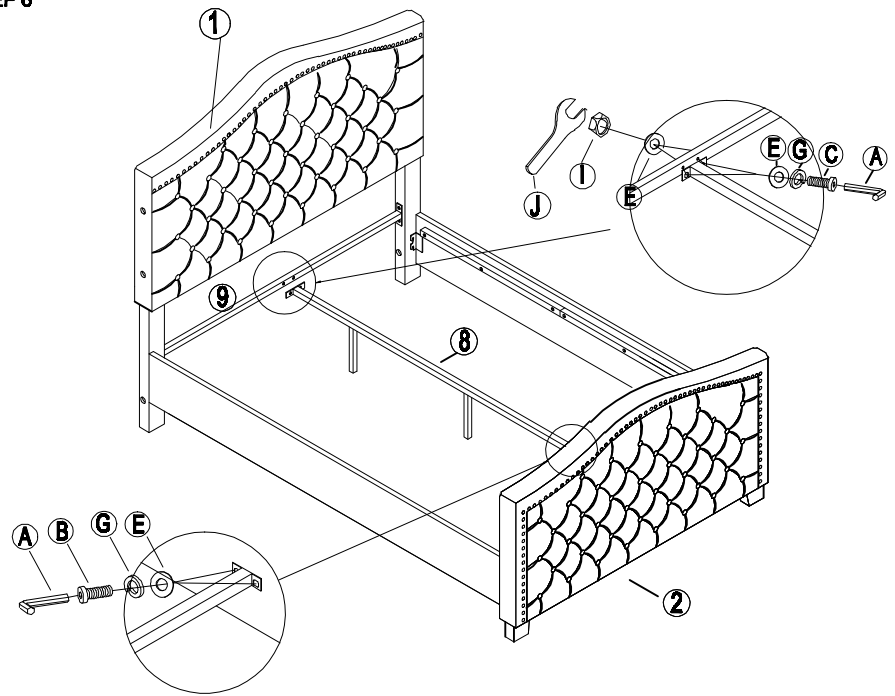
STEP 4



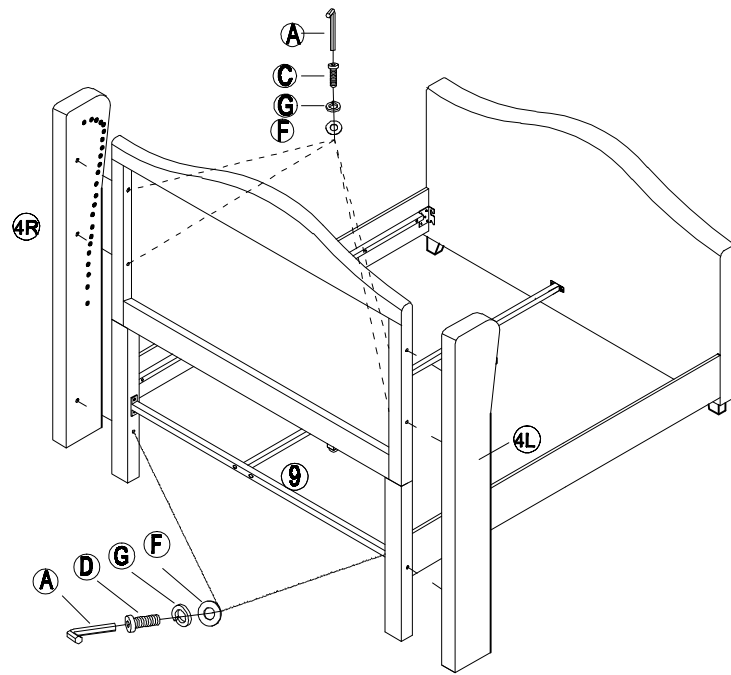
STEP 5



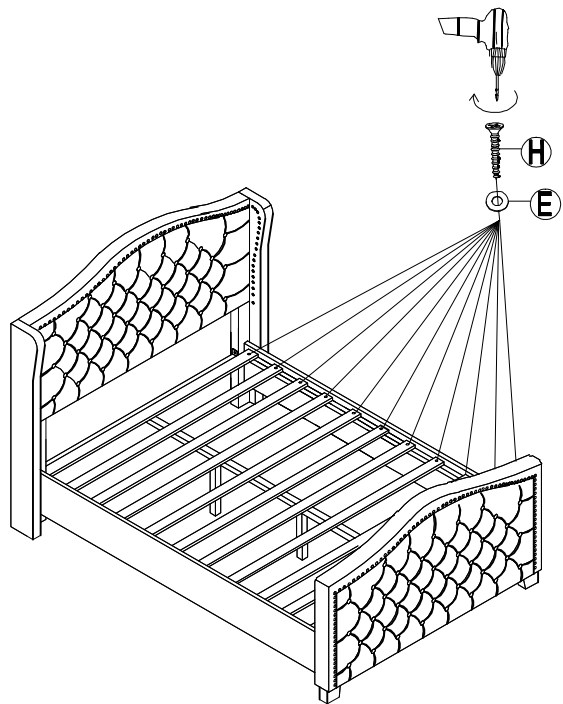
STEP 6



STEP 7



STEP 8



STEP 9

