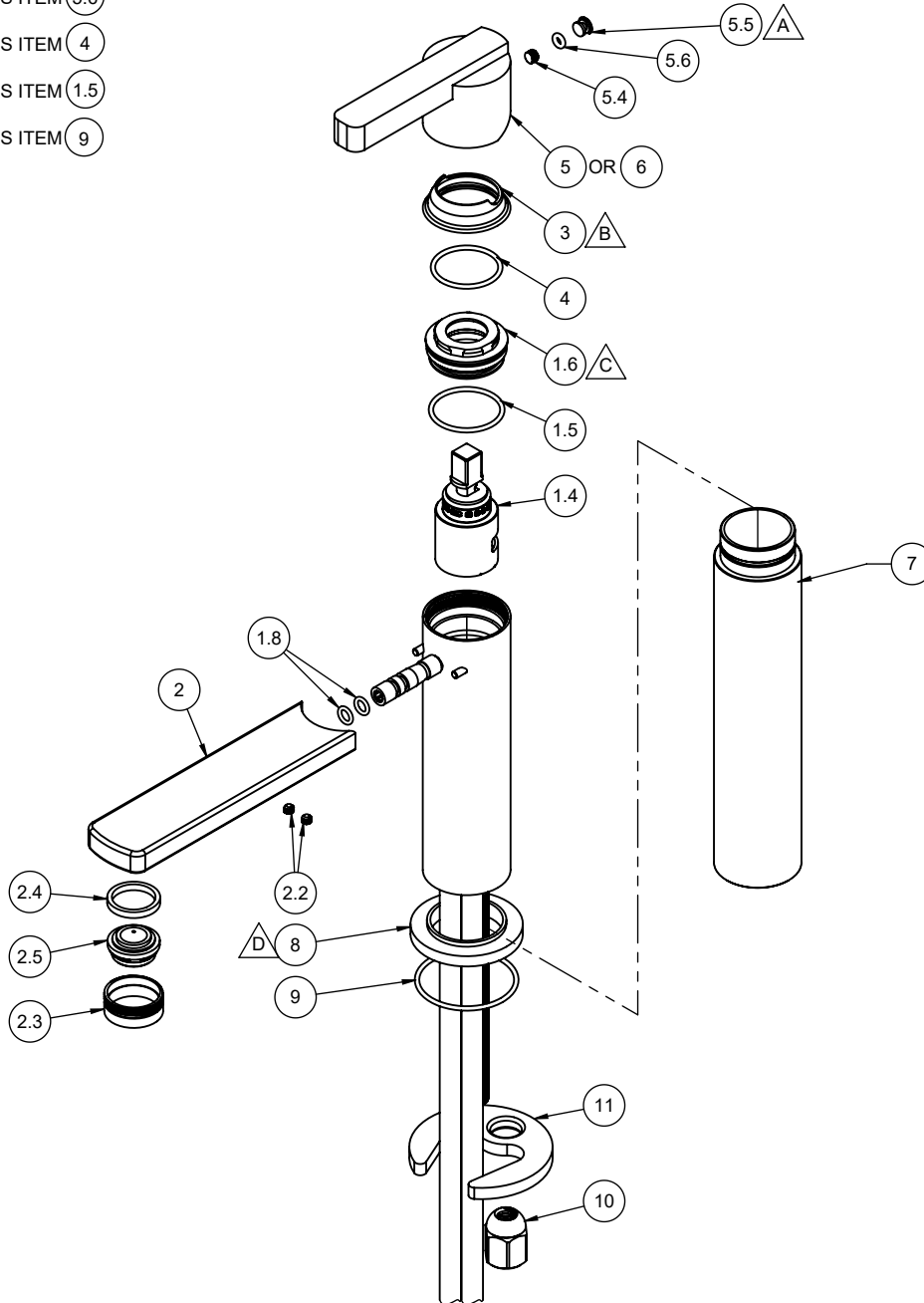


3701-1
3701-2
3701T-1
3701T-2

- △ REQUIRES ITEM 5.6
- △ REQUIRES ITEM 4
- △ REQUIRES ITEM 1.5
- △ REQUIRES ITEM 9



To order spare parts add and/or replace as stated below:

SPD- prefix added to part number(s)
-ZZ replaced with finish code (see finish table)
-WW replaced with **-90** (light finish) or **-96** (dark finish)

Ex: **SPD-7-100463-PC** or **SPD-86030-96**

ITEM	PART NO.	DESCRIPTION	QTY	
1.4	880377-99	CART 25MM, SNGL LVR FLOODING	1	
1.5	87161-80	O-RING Ø26.70 X 1.78 (-023) BUNA-N A70 (NSF-61-12 & WRAS)	1	
1.6	10735-98	NUT, Ø35MM SNGL HOLE PACKING "NL"	1	
1.8	87185-80	O-RING Ø5.00 X 1.50 (NA) BUNA-N A70 (NSF-61-12 & WRAS)	2	
2	7-100244-ZZ	ASM, SPOUT, E4 LAV SINGLE HOLE (incl. 2.2, 2.3, 2.4, 2.5)	1	
2.2	86103-90	SETSCREW M4 X 0.7 X 3.5MM SCKT HD CONE PT SS	2	
2.3	10628-ZZ	SHELL, STD SHORTY AERATOR 15/16"-27 MALE	1	
2.4	87164-80	WSHR Ø.669" X Ø.846" X .110" EPDM A70 (NSF-61-12)	1	
2.5	880343-81	INSERT, 1.2 GPM, STD SHORTY AERATED - PINK (PCA)	1	
3	10736-ZZ	BONNET, Ø35MM SNGL HOLE	1	
4	87204-80	O-RING Ø25.12 X 1.78 (-022) EPDM A70 (NSF-61 & WRAS)	1	
for 3701	5	7-100605-ZZ	ASM, RND SQ SINGLE HOLE HDL (incl. 5.4, 5.5, 5.6)	1
5.4	86136-90	SETSCREW M5X0.8 X 5MM SCKT HD CONE PT SS	1	
5.5	10444-ZZ	CAP, HANDLE SCRW	1	
5.6	87321-80	O-RING Ø2.80 X 1.90 (NA) BUNA-N A70	1	
for 3701T	6	7-100605T-ZZ	ASM, RND SQ SINGLE HOLE HDL - TEAK (incl. 5.4, 5.5, 5.6)	1
for all -2	7	10739-ZZ	EXTENSION, SNGL HOLE VS Ø35MM	1
8	10738-ZZ	BASE, RD SNGL HOLE Ø35MM	1	
9	87023-80	O-RING 37.82 X 1.78 (-029) BUNA-N A70	1	
10	10184-98	NUT, HEX W/ DOME	1	
11	880309-98	MOUNTING BRACKET, SINGLE HOLE CRESCENT	1	
for ITEM 5.4	13	880007-91	KEY, ALLEN, 2.5MM	1
for ITEM 2.2	14	880003-92	KEY, ALLEN, 2MM	1