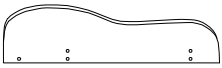
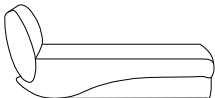
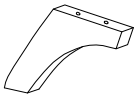

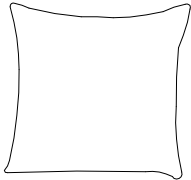
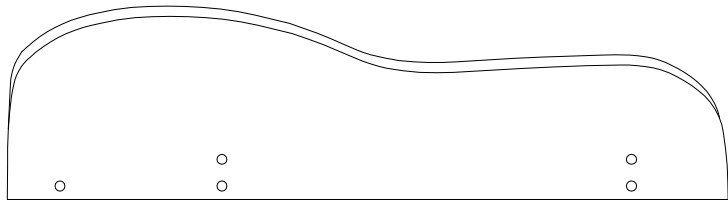
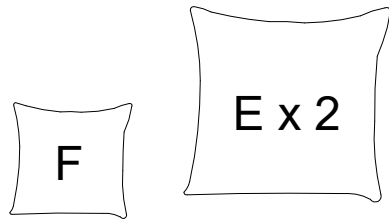


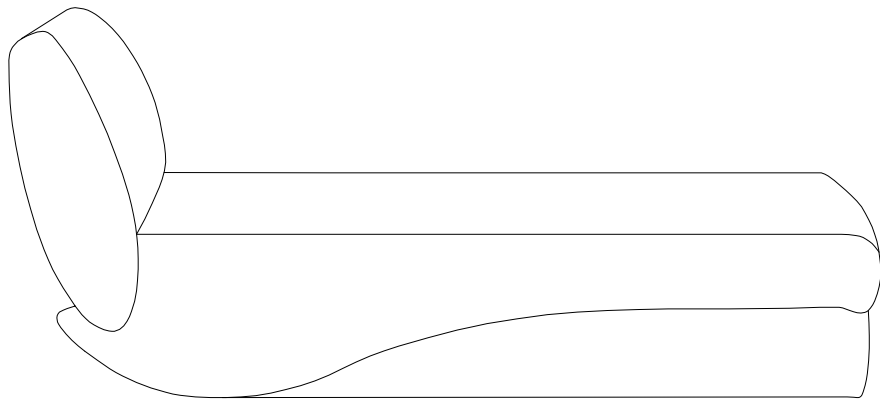
20'

1

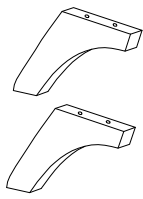
A	B	C	D	E
				
x 1	x 1	x 2	x 2	x 2



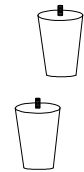
A



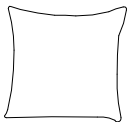
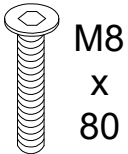
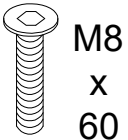
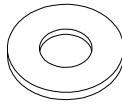

B



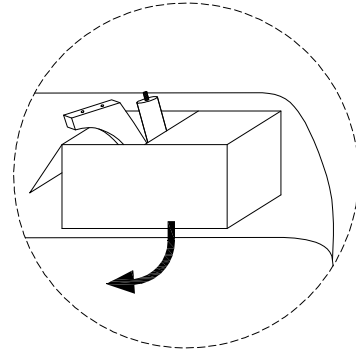
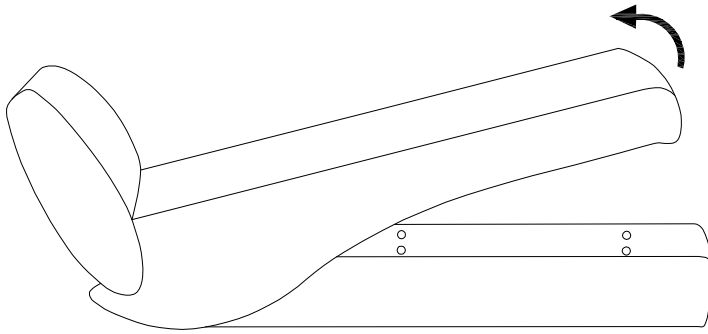
C x 2



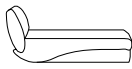
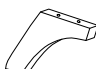



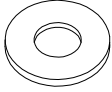
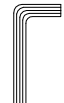
D x 2

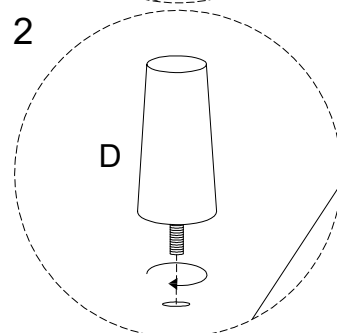
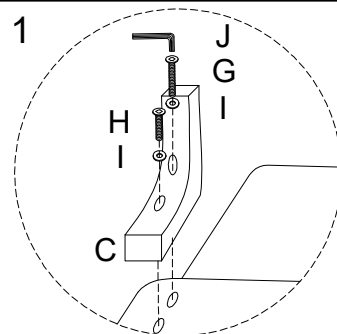
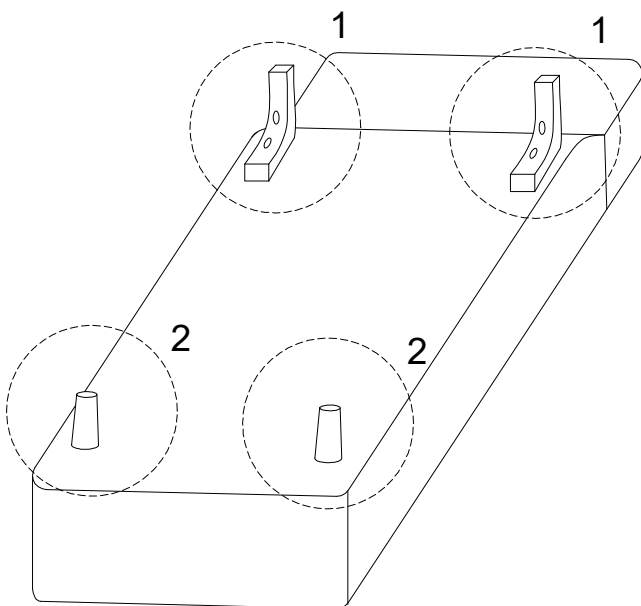
F	G	H	I	J
				
x 1	x 2	x 7	x 9	x 1

!

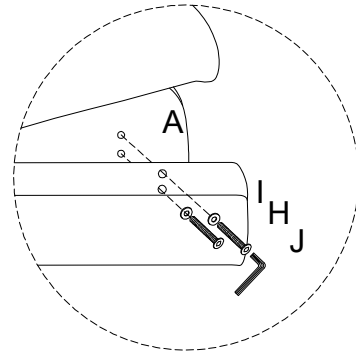
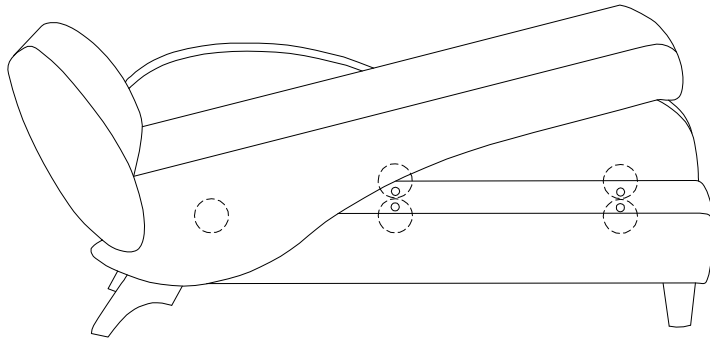
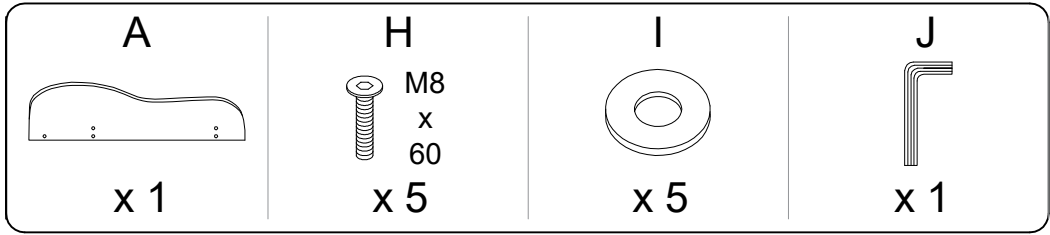


1

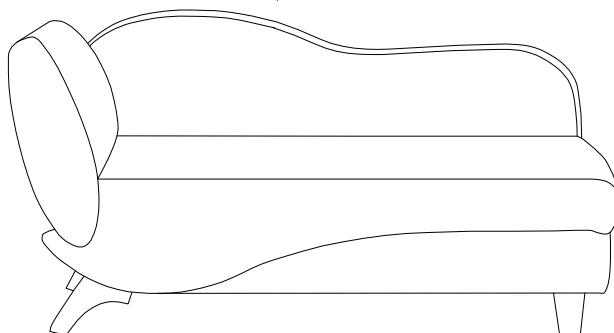
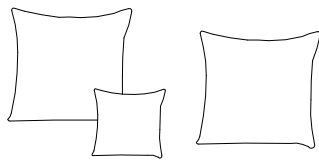
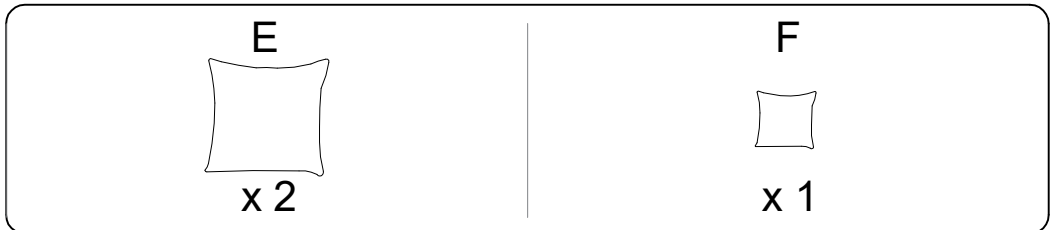
B  x 1	C  x 2	D  x 2	G  M8 x 80 x 2	H  M8 x 60 x 2	I  x 4	J  x 1
--	--	--	---	--	--	--



2



3



4

