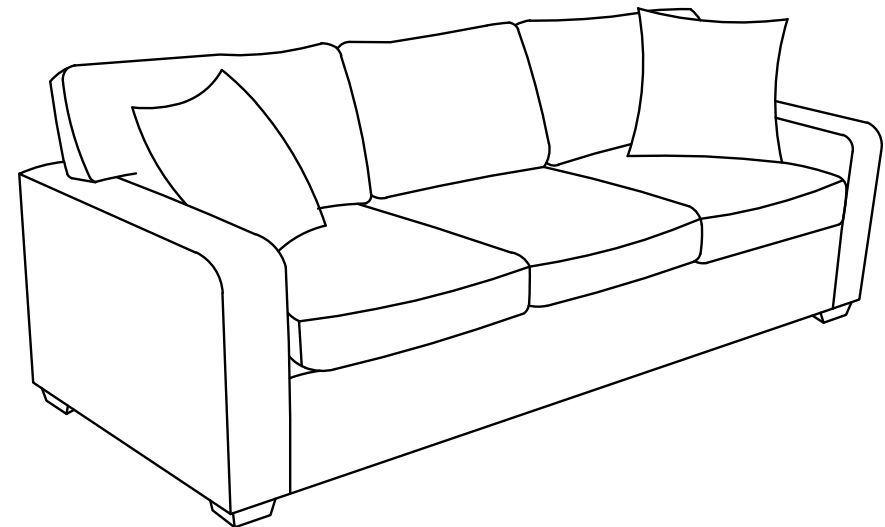


VASQUEZ CHENILLE 3 SEAT SOFA

DESIGN # SFV6119

Assembly instructions



Need help?
Feel free to contact us via email or call
if you have any specific questions!
contact us:
cs@safavieh.com
866-422-9070

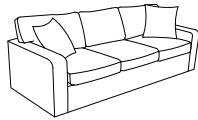
SAFAVIEH
C O U T U R E

Thanks for bringing Safavieh couture into your home

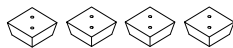
Everything we make is incredibly simple to set up, including your new sofa. You won't need any additional tools.

Parts List

A x 1
SOFA SEAT



B x 4
LEG



C x 1
SUPPORT LEG



Hardware List

HW1 x 8
Bolt 5/16" x 50mm



HW2 x 8
Spring Washer 5/16"



HW3 x 8
Flat Washer 5/16"

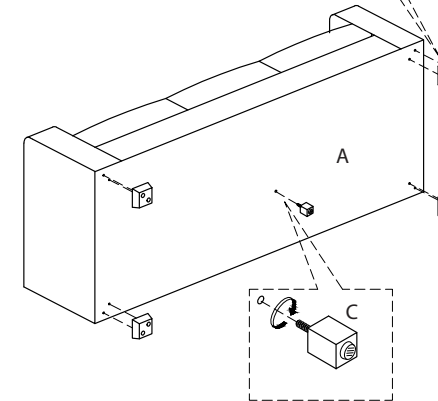
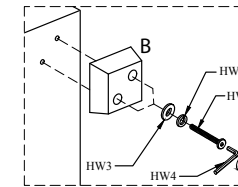


HW4 x 1
Allen Key M5 x 100mm



1

Attach the Legs (B) to the Sofa Seat (A) by Bolt (HW1), Spring Washer (HW2) and Flat Washer (HW3). Attach the Legs (C) to the Sofa Seat (A) by screwing them in a clockwise direction.



2

Place the sofa in the position you use. We'd love to see it - just tag us (we're @safavieh) and use the hashtag #safavieh on Instagram.

@safavieh

