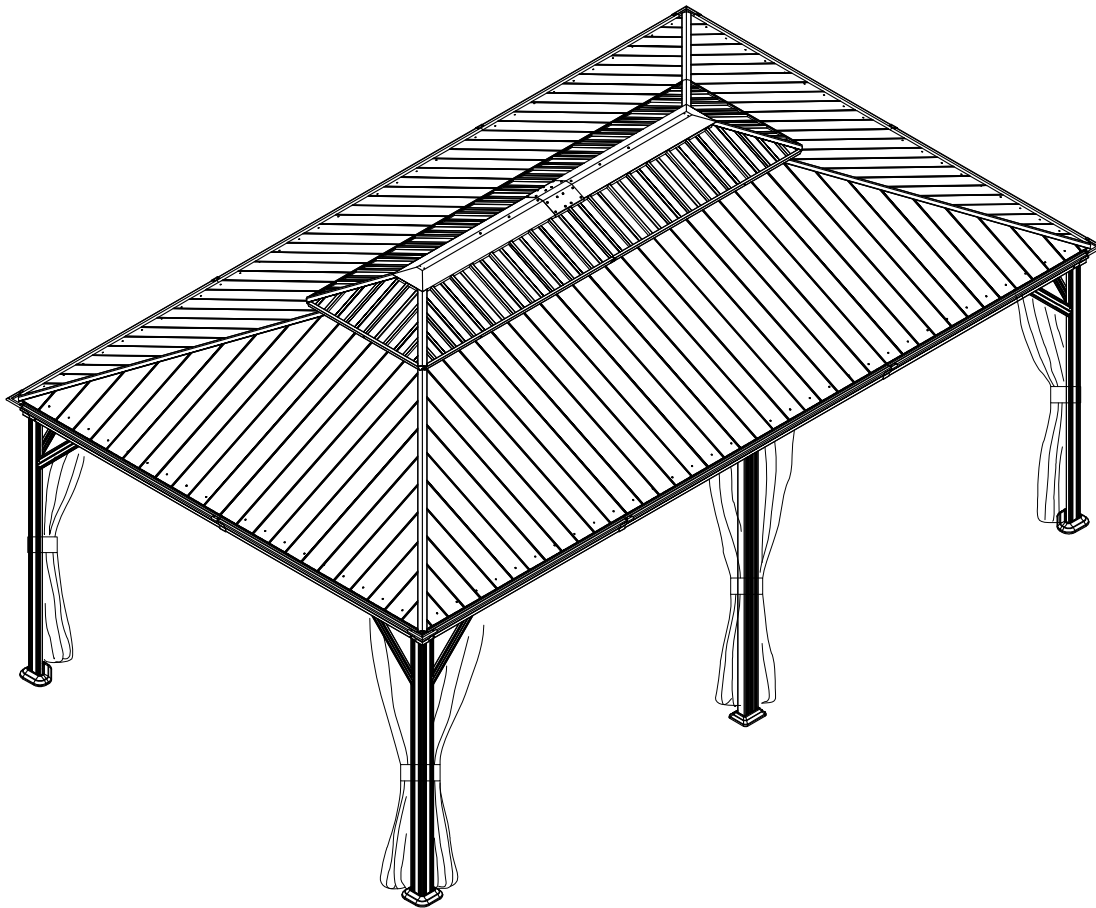




12'x20' Metal Patio Gazebo with Resin Roof **ASSEMBLY MANUAL**



MODEL#:LGMZ1721

Missing part? Damaged? Contact us via email at

service@domioutdoorliving.com

www.domioutdoorliving.com

Pre-assembly



1. Two or more people are required for assembly.



2. You will need one or more stepladders.



3. Wearing protective gloves is recommended.



4. You may need a safety hat.



5. Please use a Phillips screw driver.



6. For ease of construction, you may need a drill.



7. You may need a safety goggle.



8. Do not fully tighten screws prior to complete assembly.

Warning & Attention

-Try to assemble this product on the flat ground, otherwise it is difficult to carry out;

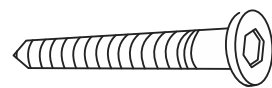
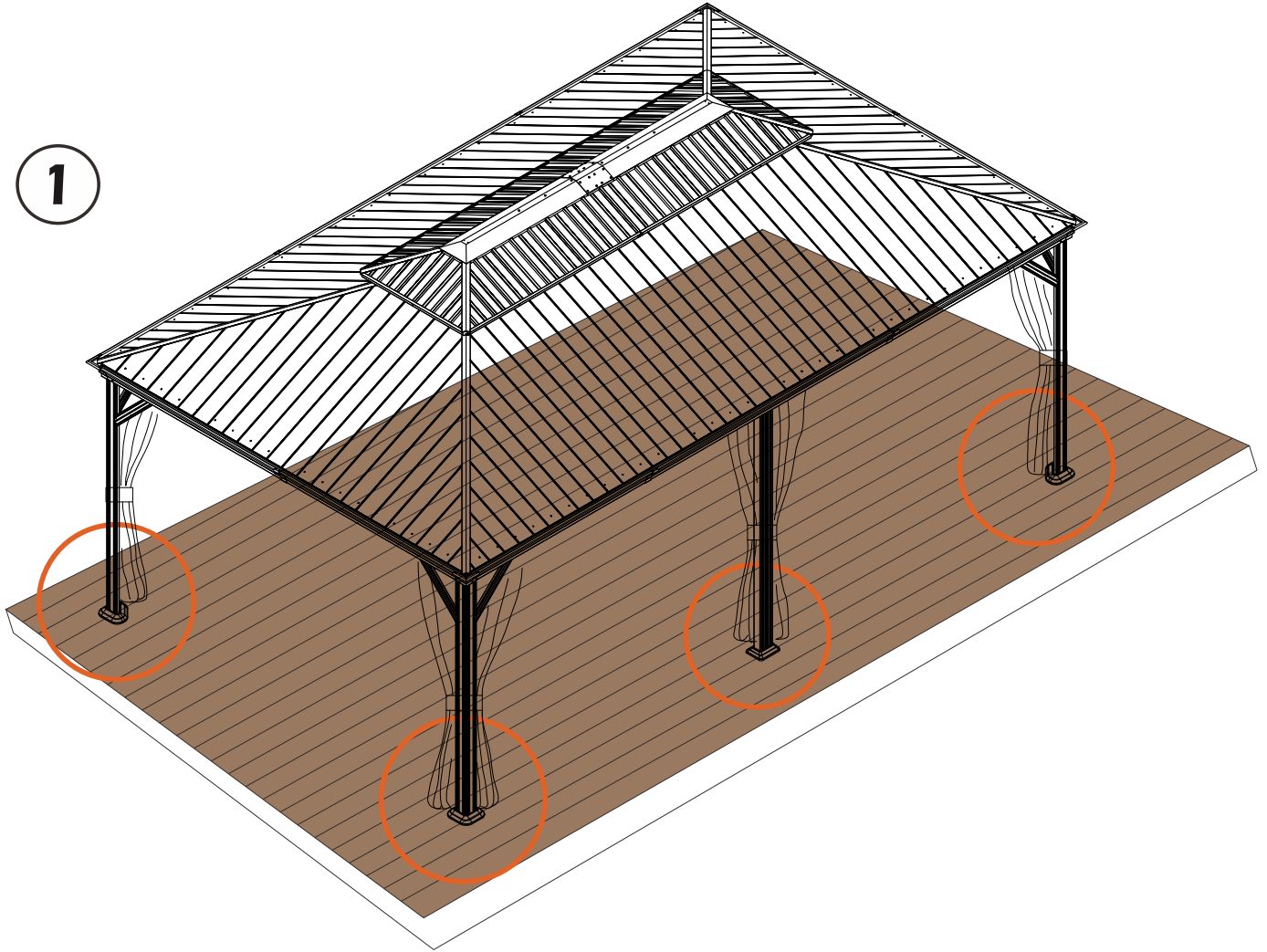
-It would be much easier to assemble the product with three or more people;

-After assembly, please check whether all screws are tightened, to prevent parts from falling apart.

▲ Use bolts to secure the frame to the ground to against the strong wind.

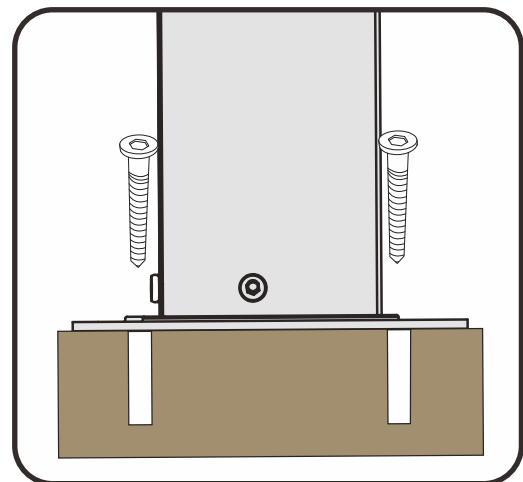
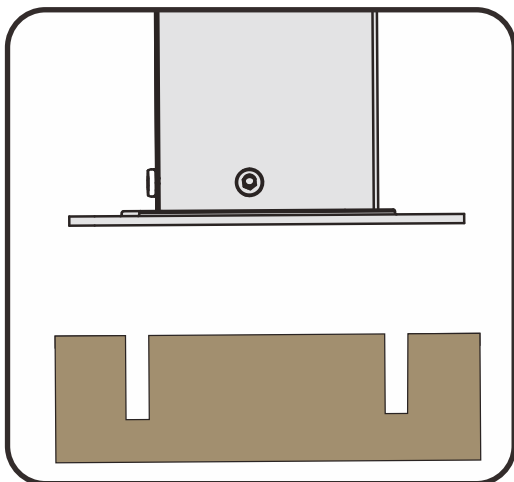
IMPORTANT: A gaze may entail to purchase a municipal permit or be subject to specific building codes. It is the consumer's responsibility to inform themselves of any restrictions.

1

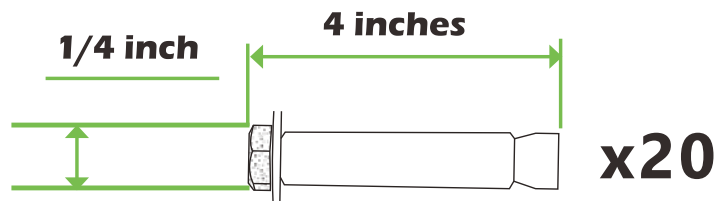
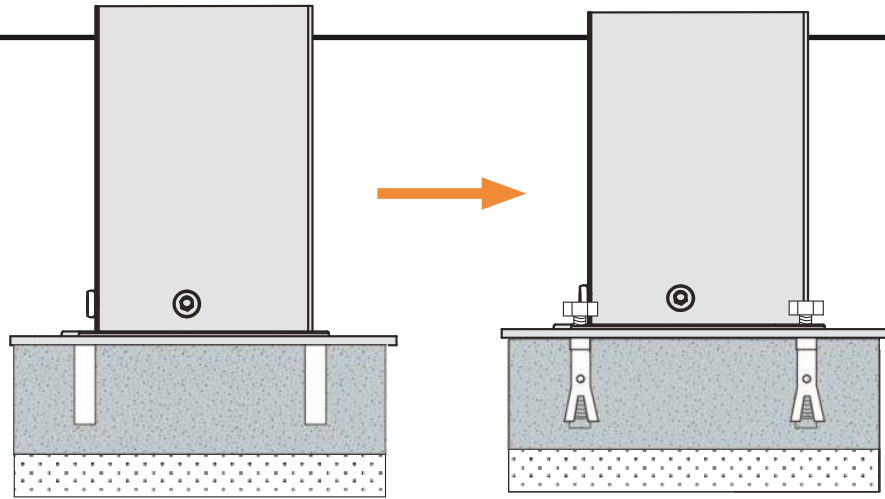


x20

If the deck is hard wood and the depth of it is over 3 inch, you can use **5/16 in. x4 in. Structural Wood Screw** to mount the gazebo.

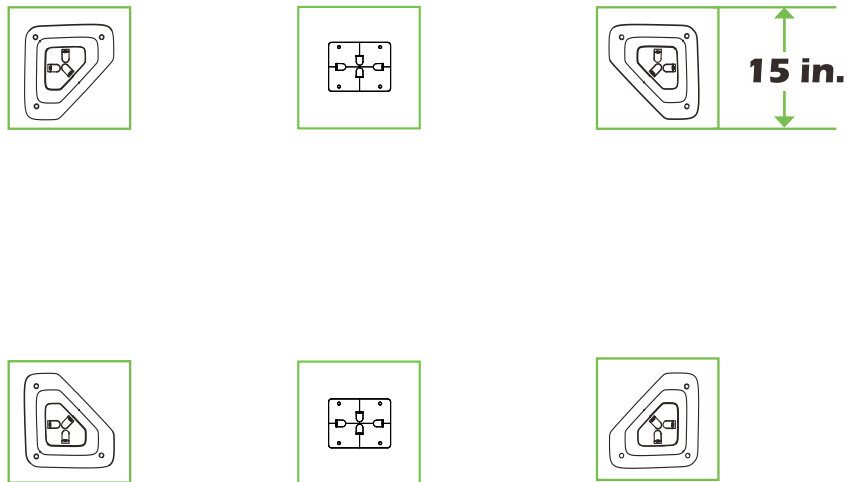


2



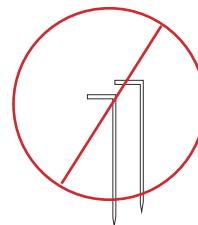
If the ground is concreted and the depth of it is over 3 inch, you can use 1/4 inch expansion bolts to mount the gazebo

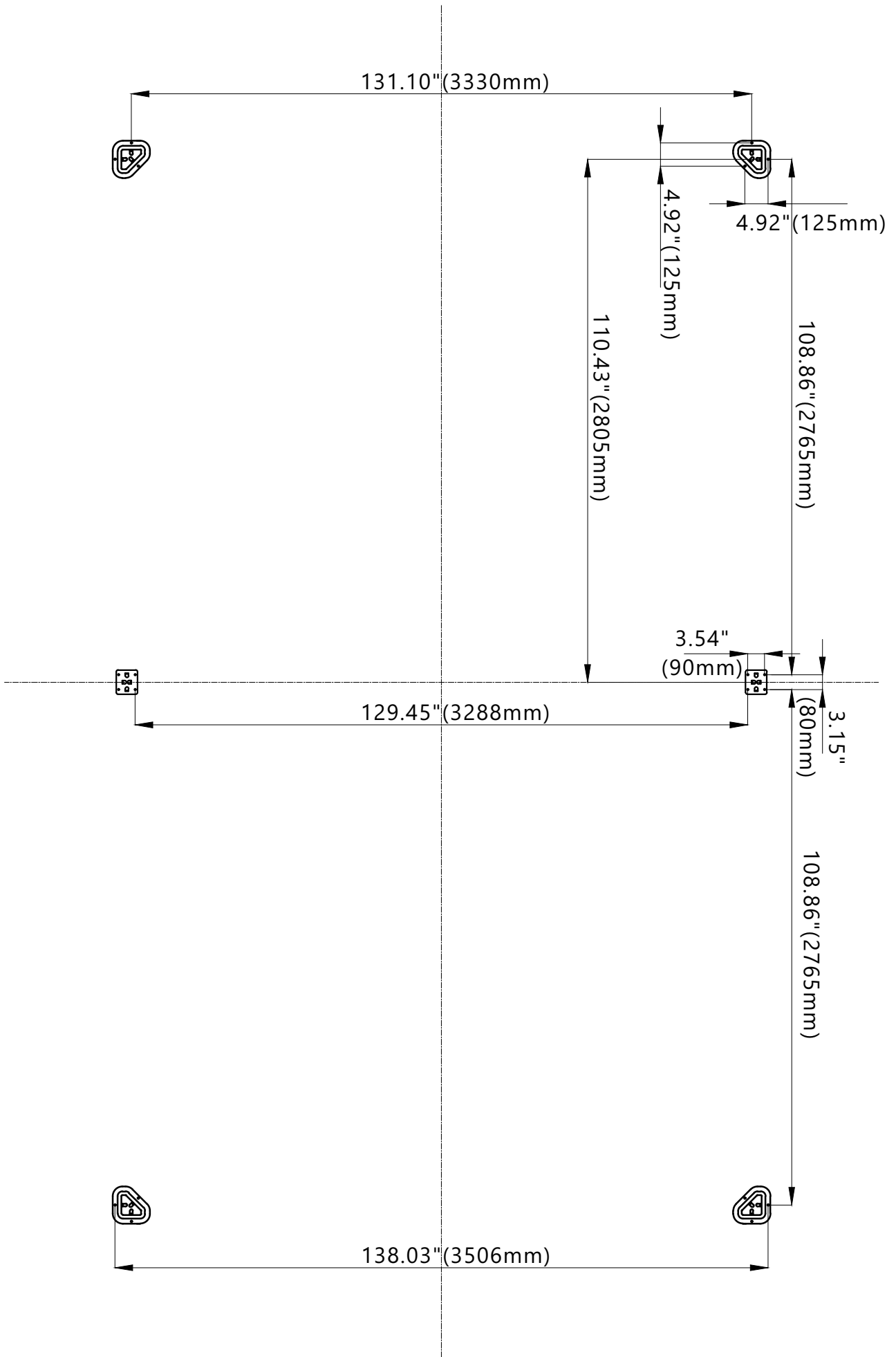
3

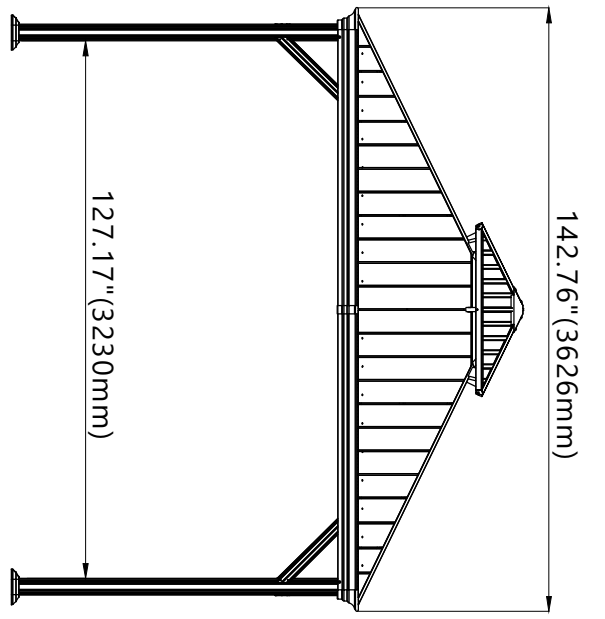
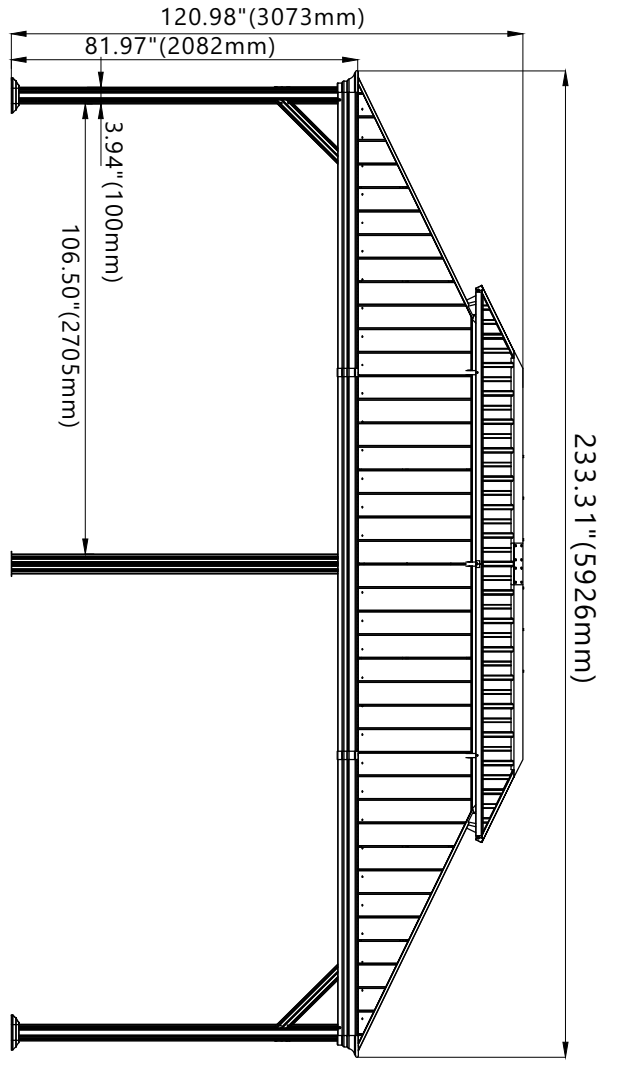
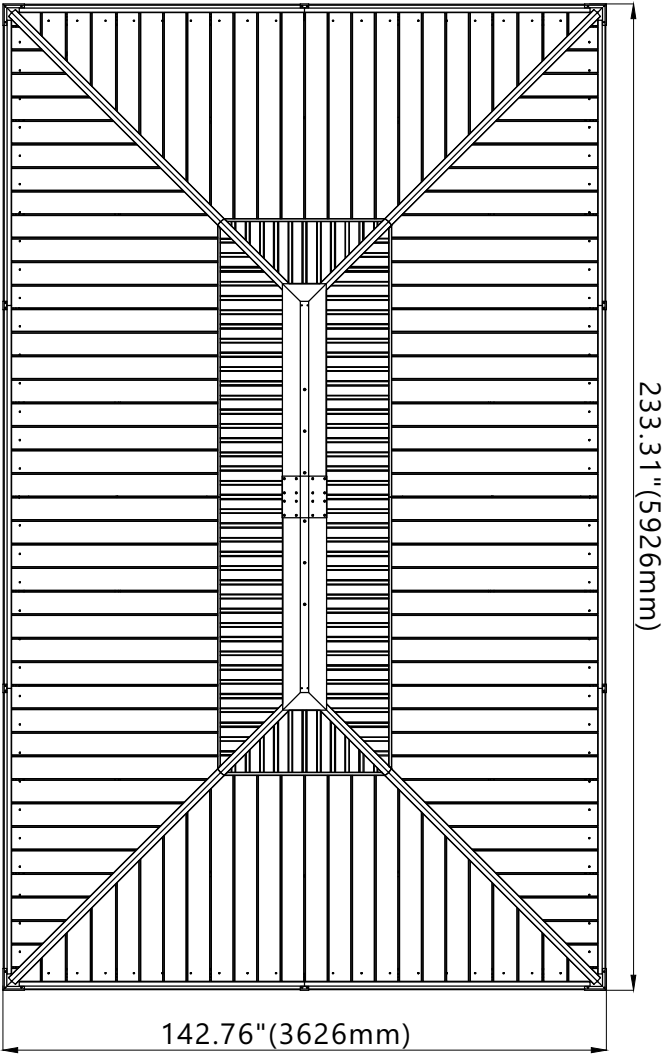





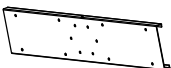
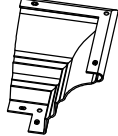
Or you can make a concrete footing for gazebo, **15×15×15 inches** is recommended. use expansion bolts to mount the pergola like ② shows.


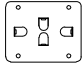
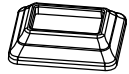

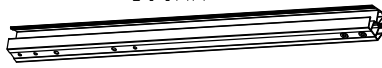
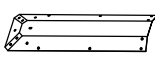


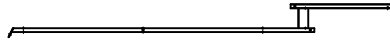
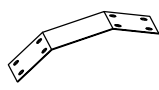

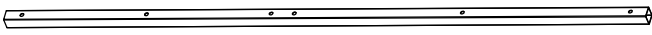

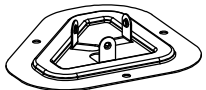
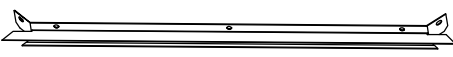


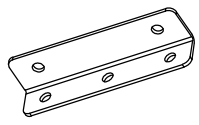

IMPORTANT:
Anchor is not recommended

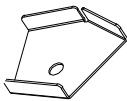

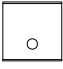
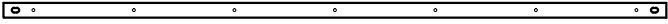
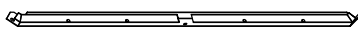
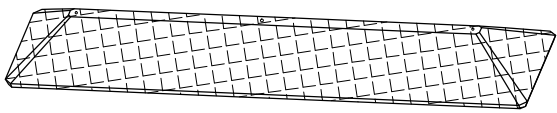

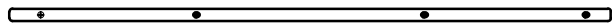


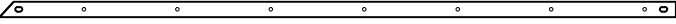

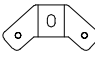

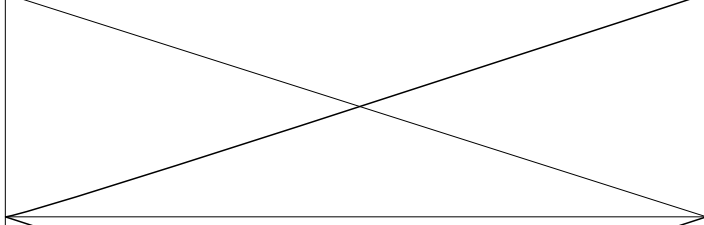
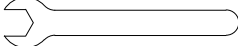
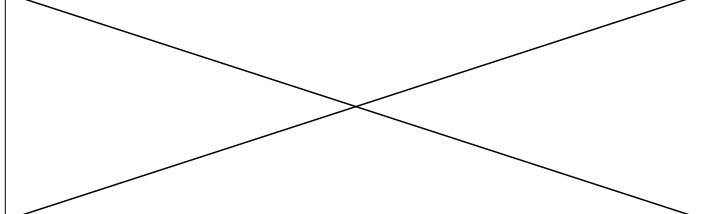
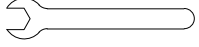



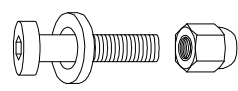

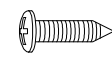
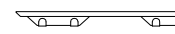
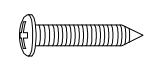
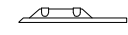
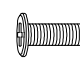
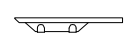
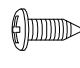
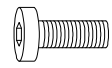
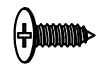
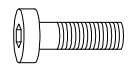
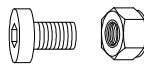
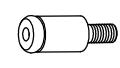

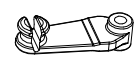




 <p>Pole 2080MM A (x4)</p>	 <p>Track 1064MM D2 (x2)</p>
 <p>Pole 2080MM B (x2)</p>	 <p>Track 1064MM D3 (x2)</p>
 <p>Beam 1715MM C (x2)</p>	 <p>Outside Roof Cover Connector E1 (x1)</p>
 <p>Beam 1715MM C1 (x2)</p>	 <p>1350MM Solidifying Bar E2 (x1)</p>
 <p>Beam 2300MM C2 (x2)</p>	 <p>1283MM Outside Roof Cover E3 (x2)</p>
 <p>Beam 1715MM C3 (x2)</p>	 <p>600MM Union Bar E (x6)</p>
 <p>Beam 1715MM C4 (x2)</p>	 <p>Corner Cover F (x4)</p>
 <p>Track 1583MM D (x4)</p>	 <p>Joint Cover G (x6)</p>
 <p>Track 1583MM D1 (x4)</p>	 <p>Silicone Sealant H (x1)</p>

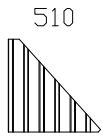
 <p>592MM</p> <p>Corner Solidifying Bar</p>	 <p>Base</p>	 <p>Base Cover</p>
 <p>592MM</p> <p>Corner Solidifying Bar</p>	 <p>690MM</p> <p>Corner Roof Tube Connector</p>	<p>K1 (x4)</p> <p>K3 (x2)</p> <p>K4 (x2)</p> <p>M (x4)</p>
 <p>594MM</p> <p>Inside Roof Cover</p>	 <p>2130MM</p> <p>Corner Roof Tube</p>	<p>J (x2)</p> <p>M1 (x4)</p>
 <p>1300MM</p> <p>Inside Roof Cover</p>	 <p>1927MM</p> <p>Roof Tube</p>	<p>J1 (x1)</p> <p>N (x2)</p>
 <p>Inside Roof Cover Connector</p>	 <p>1927MM</p> <p>Roof Tube</p>	<p>J2 (x2)</p> <p>N1 (x4)</p>
 <p>1108MM</p> <p>Solidifying Bar</p>	 <p>1905MM</p> <p>Roof Tube</p>	<p>J3 (x4)</p> <p>N2 (x2)</p>
 <p>Base</p>	 <p>740MM</p> <p>Finishing Bar</p>	<p>K (x4)</p> <p>P (x2)</p>
 <p>Base Cover</p>	 <p>1535MM</p> <p>Finishing Bar</p>	<p>K1 (x4)</p> <p>L1 (x2)</p>
 <p>Bracket</p>	 <p>1535MM</p> <p>Finishing Bar</p>	<p>K2 (x8)</p> <p>L2 (x2)</p>

 <p>Finishing End</p> <p>Q (x8)</p>	 <p>Bracket</p> <p>U4 (x8)</p>
 <p>Finishing End</p> <p>Q1 (x2)</p>	 <p>Solidifying Bar 1108MM</p> <p>U5 (x4)</p>
 <p>1021MM</p> <p>Finishing Bar</p> <p>T (x2)</p>	 <p>Mesh</p> <p>O (x1)</p>
 <p>1680MM</p> <p>Finishing Bar</p> <p>T1 (x2)</p>	 <p>Plastic Bar 1490MM</p> <p>O1 (x4)</p>
 <p>1680MM</p> <p>Finishing Bar</p> <p>T2 (x2)</p>	 <p>Plastic Bar 620MM</p> <p>O2 (x2)</p>
 <p>1085MM</p> <p>Solidifying Bar</p> <p>U1 (x8)</p>	 <p>Hooks</p> <p>R1 (x3)</p>
 <p>Bracket</p> <p>U3 (x4)</p>	 <p>Allen Key</p> <p>x1</p>
	 <p>Wrench</p> <p>x1</p>
	 <p>Wrench</p> <p>x1</p>

 <p>Plastic Clips</p>	 <p>M6x28</p> <p>5# x100</p>
 <p>Plastic Clips</p>	 <p>ST4.8x30</p> <p>6# x48</p>
 <p>Plastic Clips</p>	 <p>ST4.8x35</p> <p>7# x84</p>
 <p>Plastic Clips</p>	 <p>M5x16</p> <p>8# x6</p>
 <p>Plastic Clips</p>	 <p>ST4.8x13</p> <p>9# x28</p>
 <p>M6x16</p> <p>1# x276</p>	 <p>4x12</p> <p>10# x8</p>
 <p>M6x20</p> <p>2# x36</p>	 <p>M6x12</p> <p>11# x36</p>
 <p>3# x16</p>	 <p>ST6.3*18</p> <p>12# x20</p>
 <p>Plastic Hooks</p> <p>4# x152</p>	



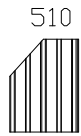
V1 (x2)



V2 (x2)



V3 (x2)



V4 (x2)



V (x8)



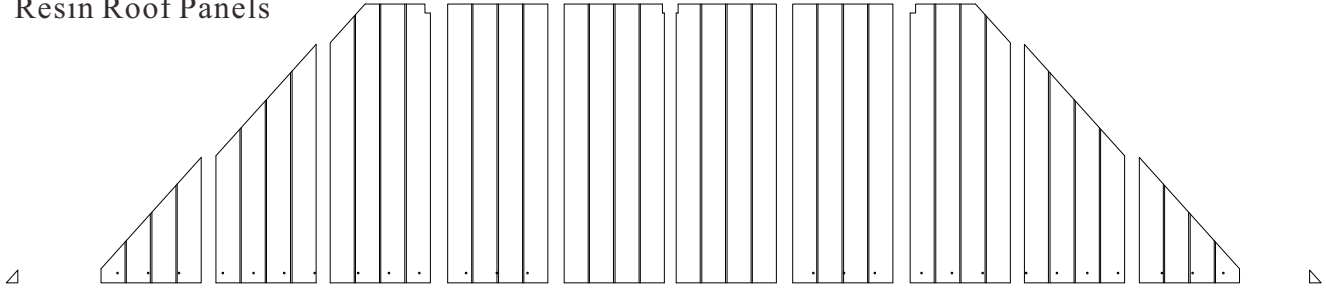
V5 (x2)



V6 (x2)

Metal Roof Panels

Resin Roof Panels



W1 (x2)

W2 (x2)

W3 (x2)

W4 (x2)

W5 (x2)

W6 (x2)

W7 (x2)

W8 (x2)

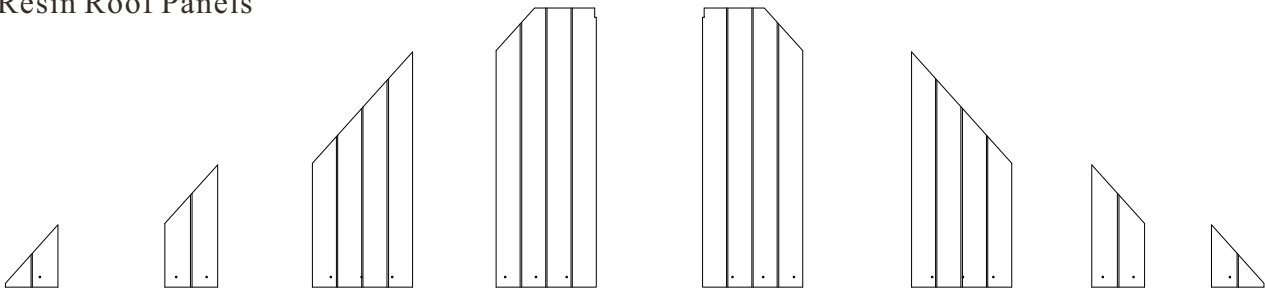
W9 (x2)

W10 (x2)

W11 (x2)

W12 (x2)

Resin Roof Panels



X1 (x2)

X2 (x2)

X3 (x2)

X4 (x2)

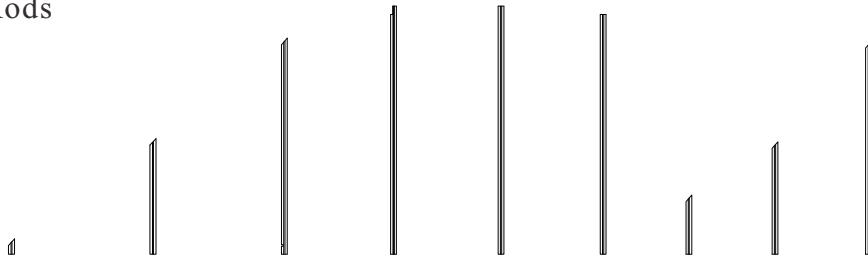
X5 (x2)

X6 (x2)

X7 (x2)

X8 (x2)

Connecting Rods



Za (x4)

Zb (x4)

Zc (x4)

Zh (x4)

Zi (x4)

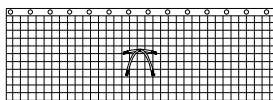
Zd (x4)

Ze (x4)

Zf (x4)

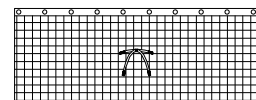
Zg (x4)

Y (x4)



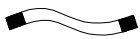
Mosquito Netting

Y1 (x2)



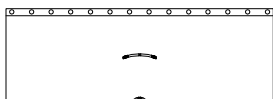
Mosquito Netting

Yb (x6)



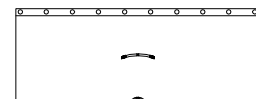
Strap

Ya (x4)



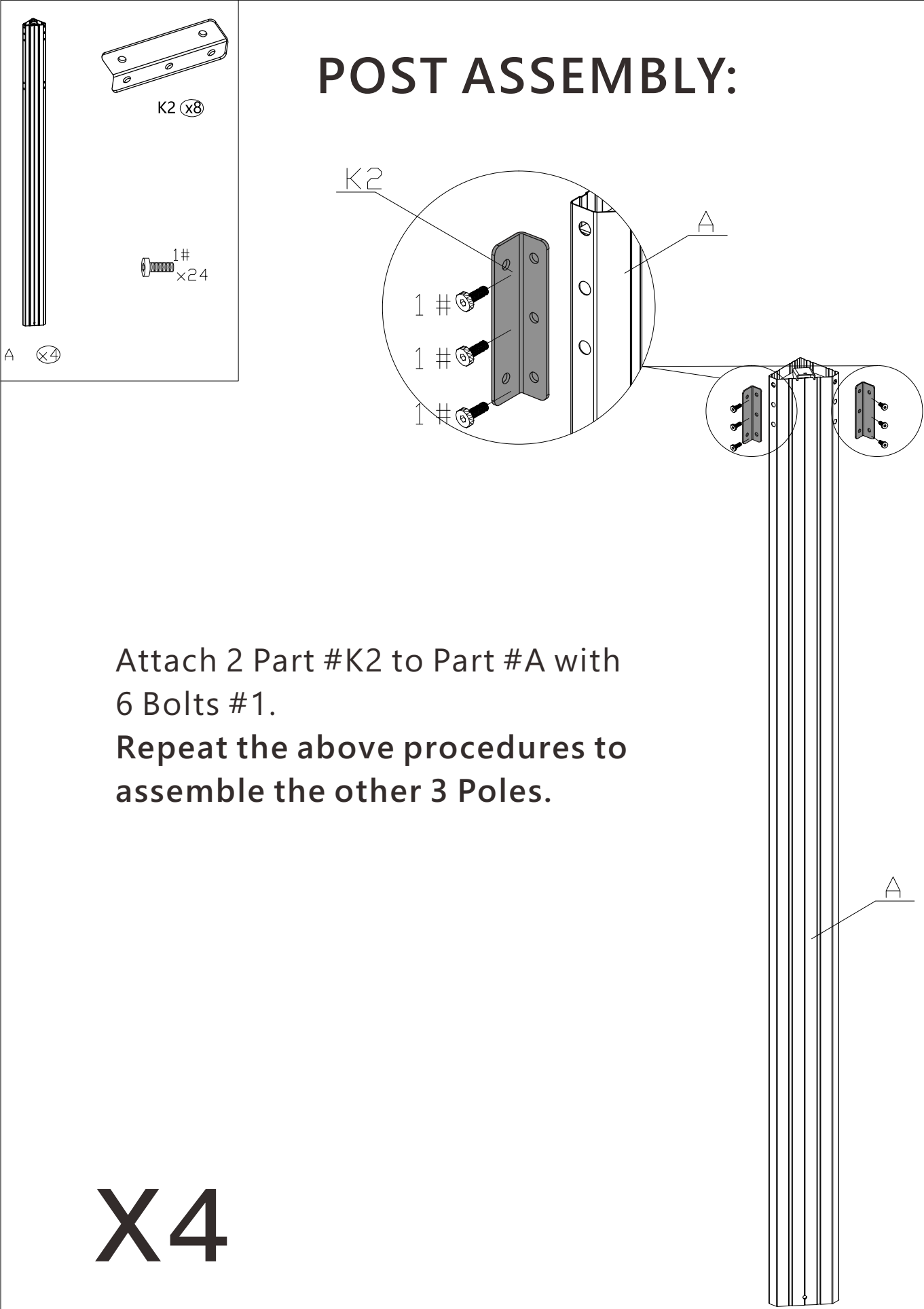
Curtain

Y1a (x2)



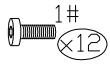
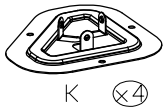
Curtain

POST ASSEMBLY:

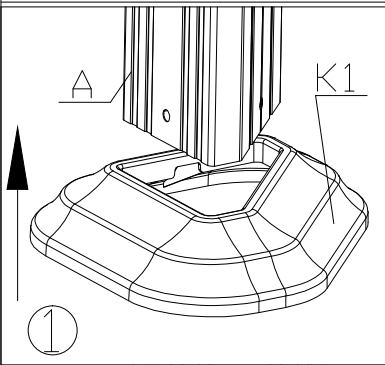


Attach 2 Part #K2 to Part #A with
6 Bolts #1.
Repeat the above procedures to
assemble the other 3 Poles.

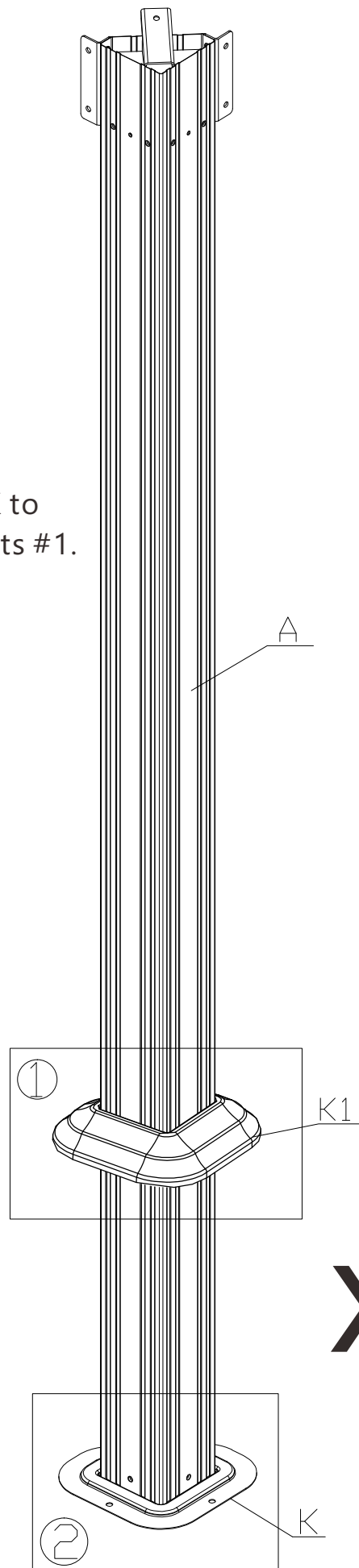
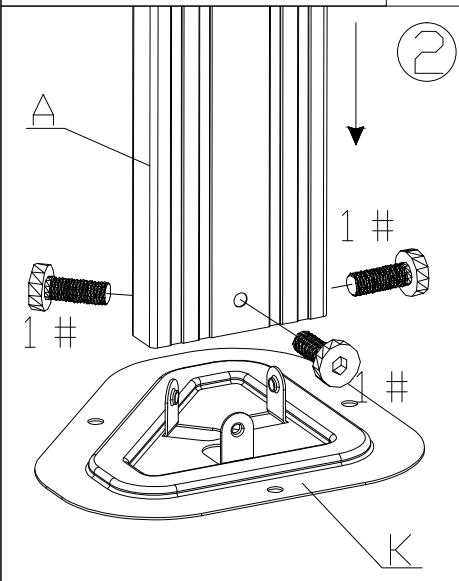
X4

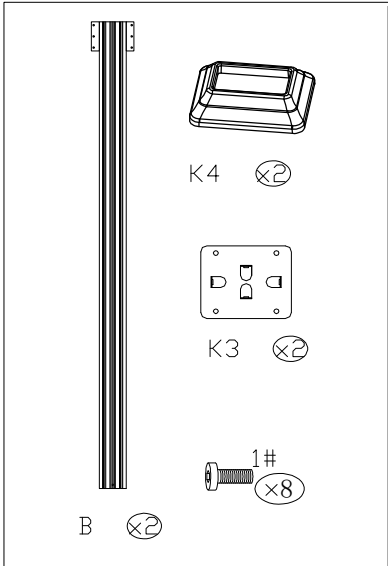


(1) Put on Base Cover #K1 first;



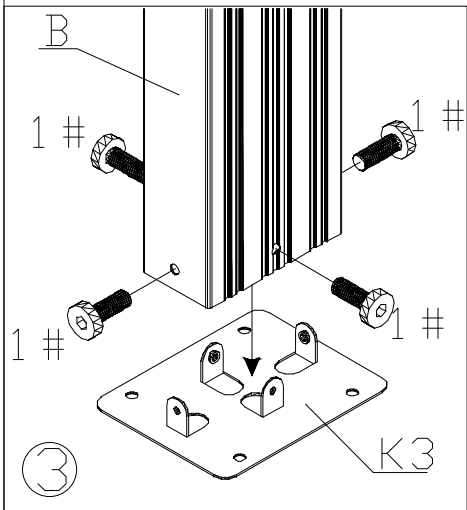
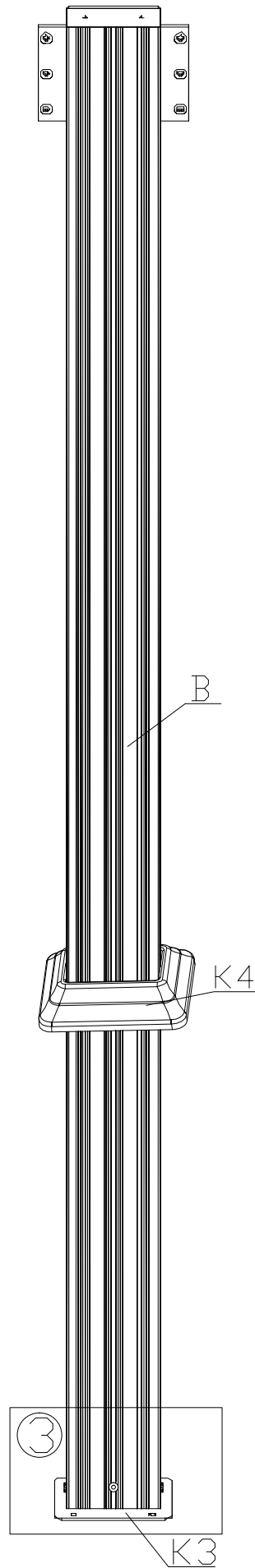
(2) Attach Base #K to Pole #A with 3 Bolts #1.

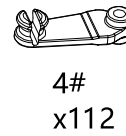
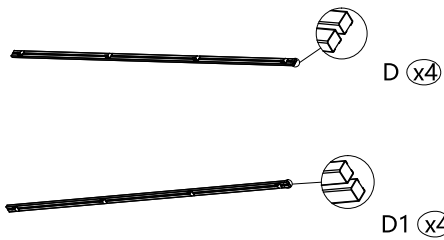




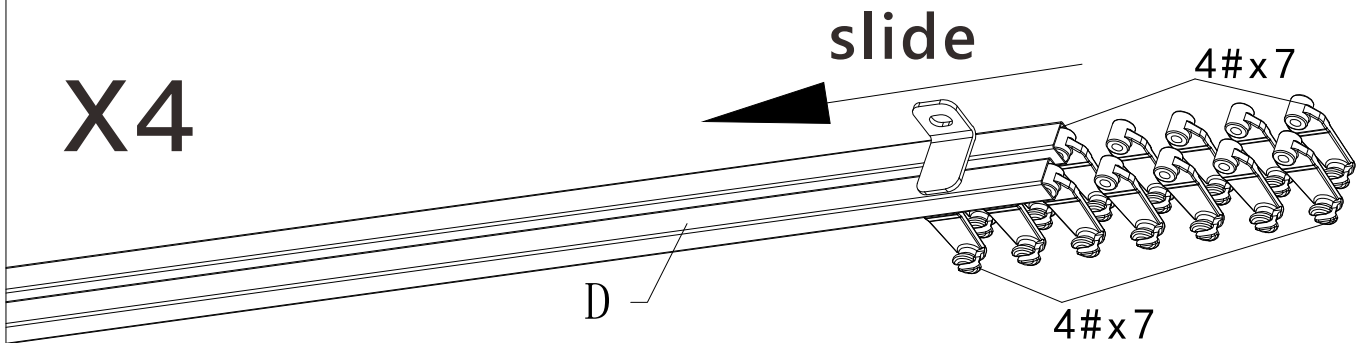
(1) Put on Base Cover #K4 first;

(2) Attach Base #K3 to Pole #B with 4 Bolts #1.

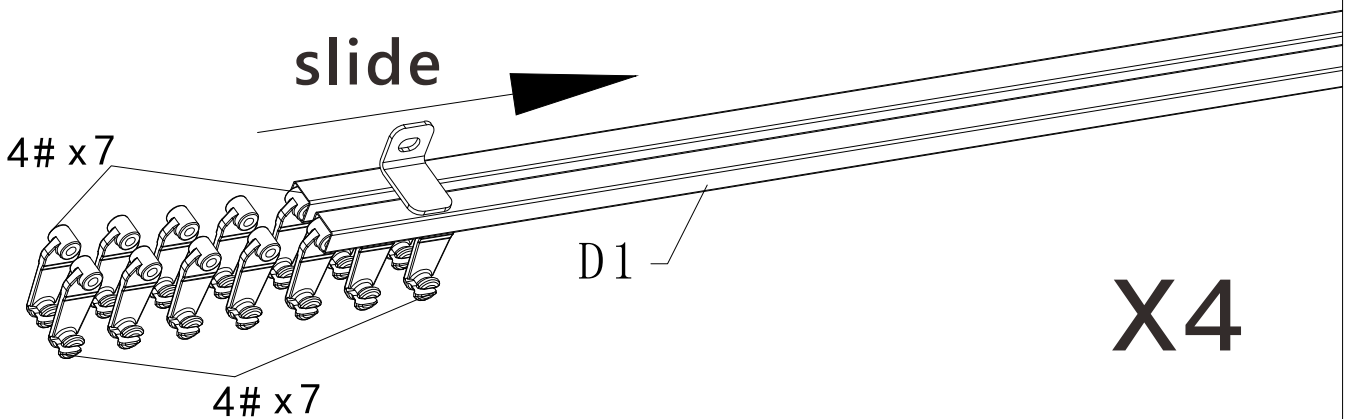


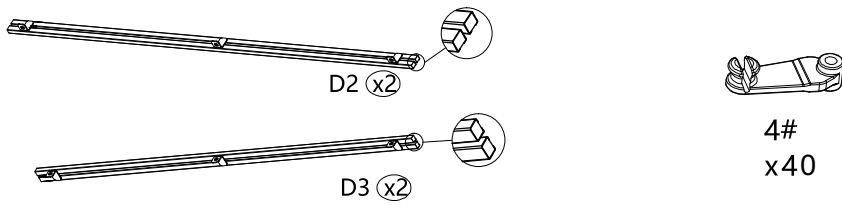


(1) Slide the Plastic Hooks #4 to the double-rail track #D (each slot should slide 7 plastic hooks).
Repeat the above procedures for other 3 tracks D.

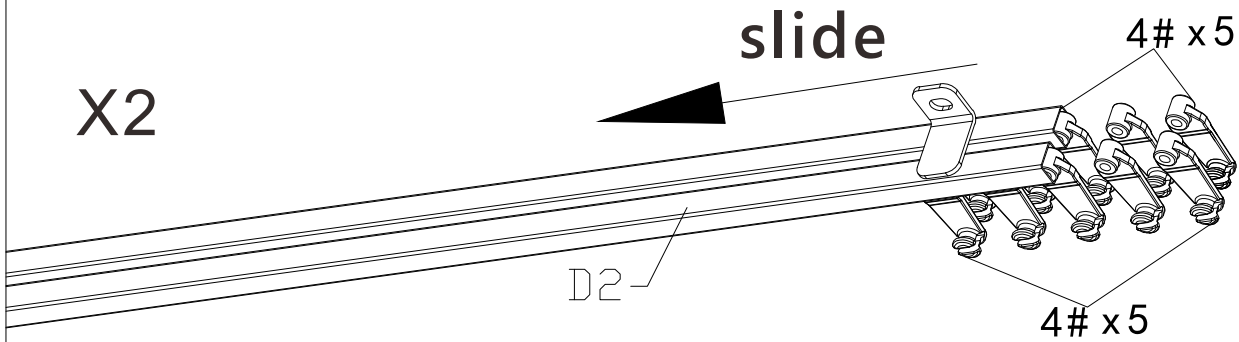


(1) Slide the Plastic Hooks #4 to the double-rail track #D1 (each slot should slide 7 plastic hooks).
Repeat the above procedures for other 3 tracks D1.

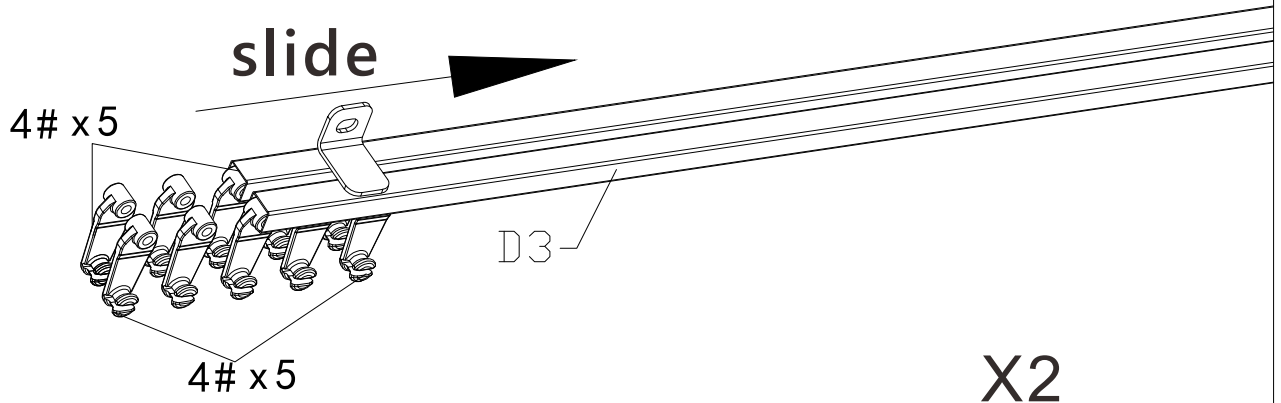




(1) Slide the Plastic Hooks #4 to the double-rail track #D2 (each slot should slide 5 plastic hooks).
Repeat the above procedures for the other track D2.



(1) Slide the Plastic Hooks #4 to the double-rail track #D3 (each slot should slide 5 plastic hooks).
Repeat the above procedures for the other track D3.

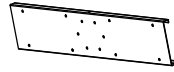




C (x2)



C4 (x2)

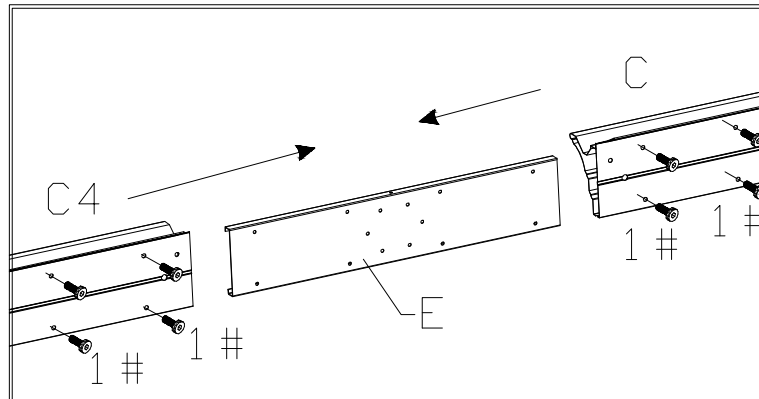


E (x2)



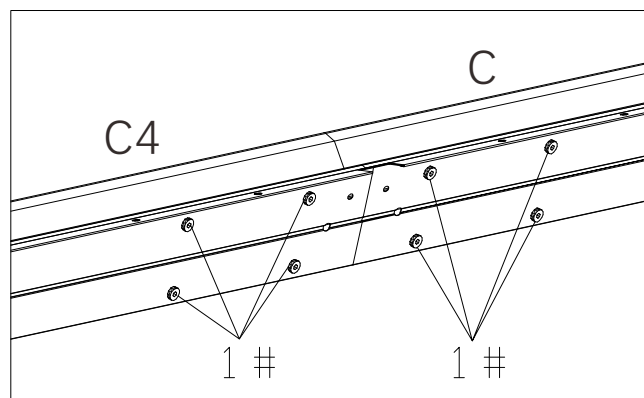
1#
x16

BEAM ASSEMBLY:

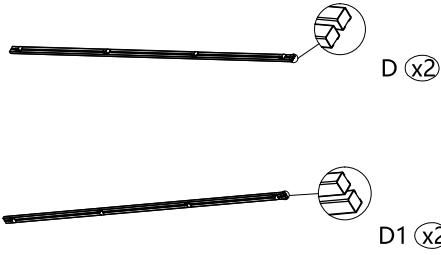


- (1) Insert Part #E into Part #C4, and secure with 4 Bolts #1.
- (2) Insert the other side of Part #E into Part #C and secure with 4 Bolts #1.

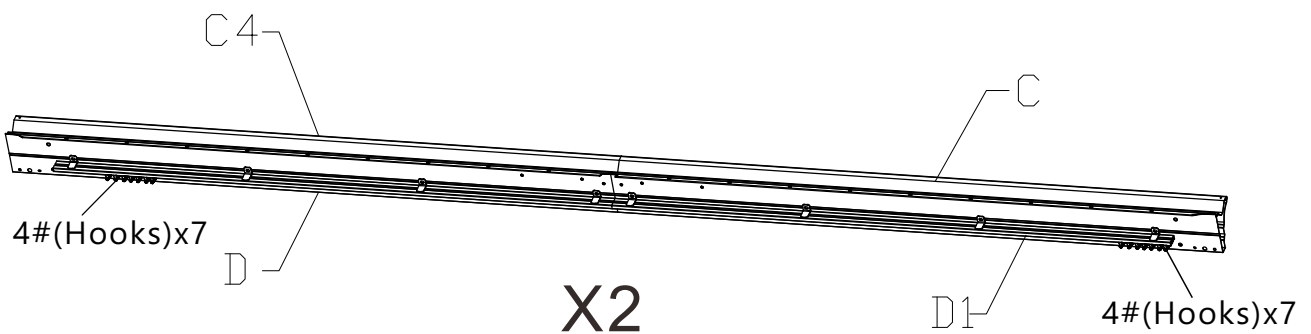
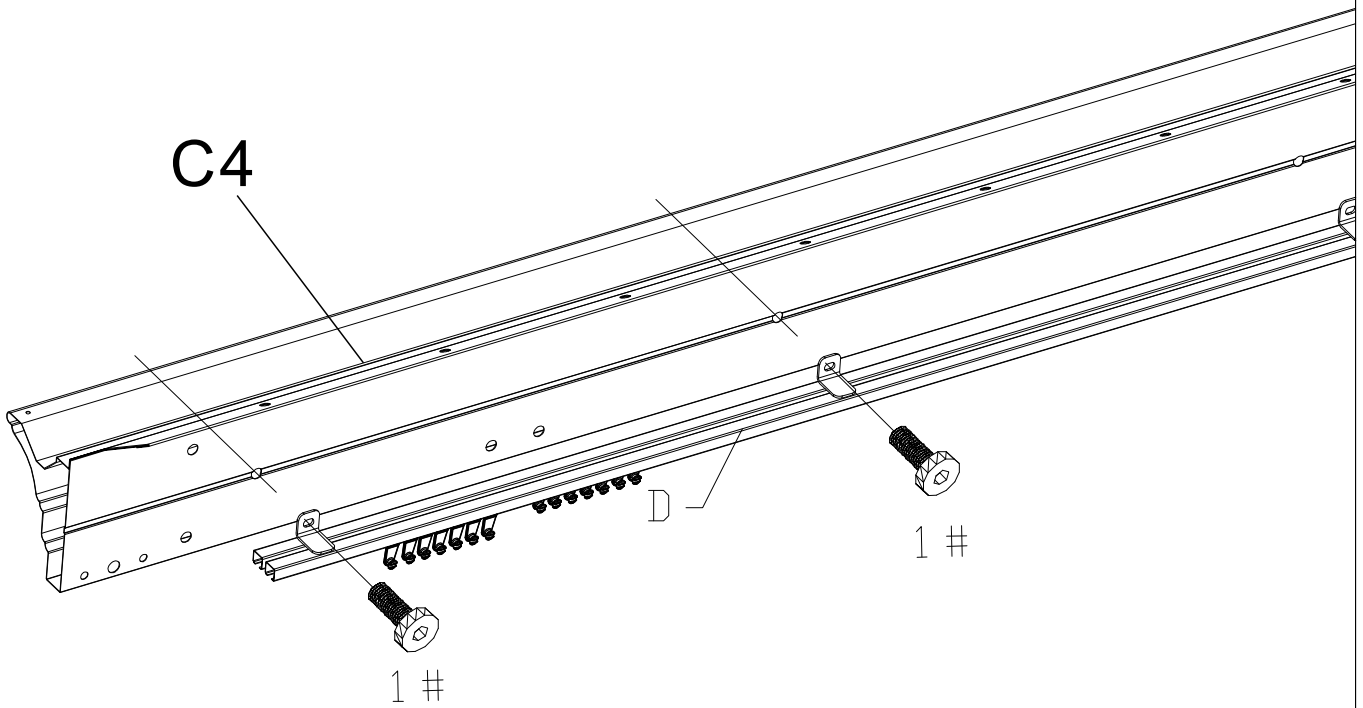
Repeat the above procedures to assemble the other Part#C4 and #C.

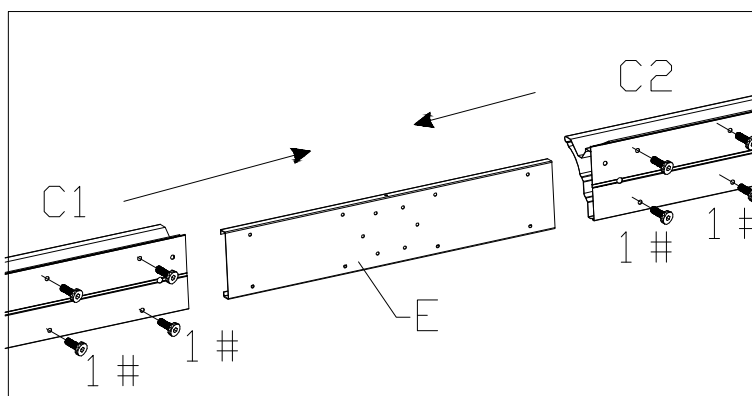
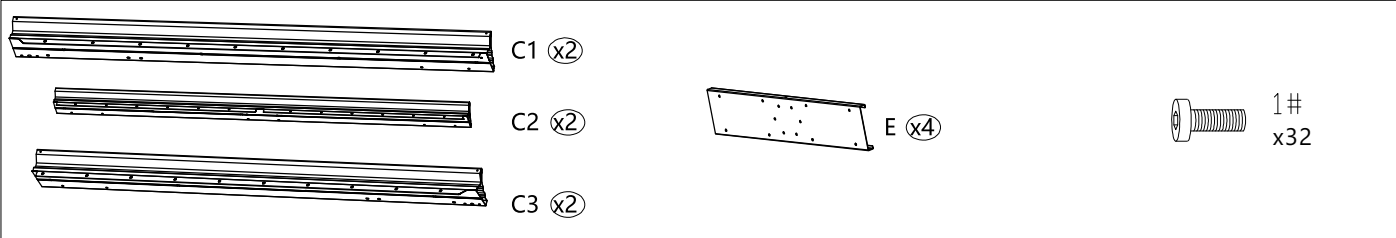


TIPS: It's a normal situation that there's a gap between the 2 beams, please use silicone sealant (part #H) and Joint Cover #G to affix the gap. (See P9)

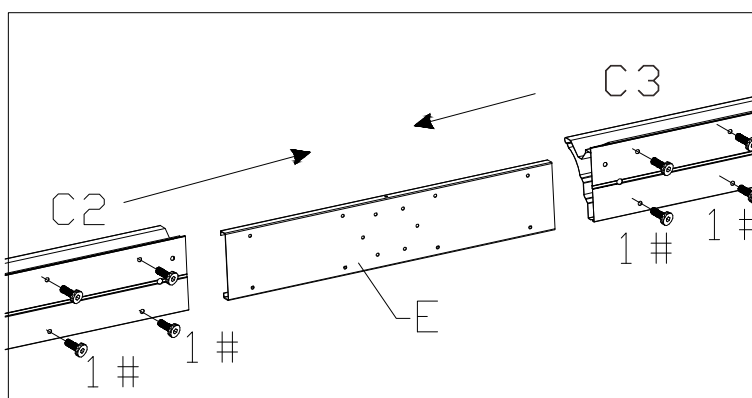


Use 8 Bolts #1 to fix the track D & D1 to the beam C4 & C.
Repeat the above procedures for another beam C4 & C.



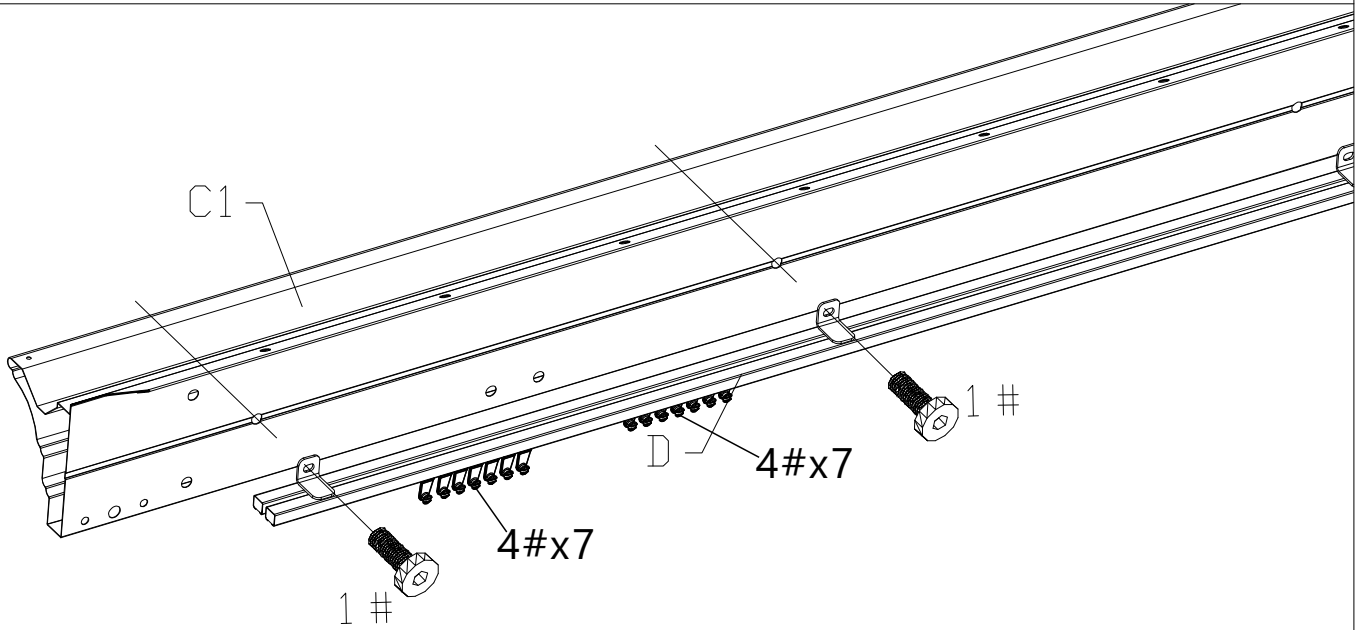
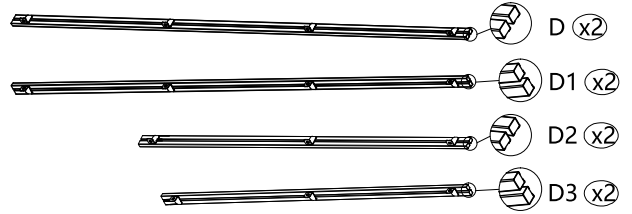
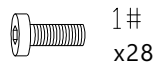


- (1) Insert Part #E into Part #C1, and secure with 4 Bolts #1.
- (2) Insert the other side of Part #E into Part #C2 and secure with 4 Bolts #1.



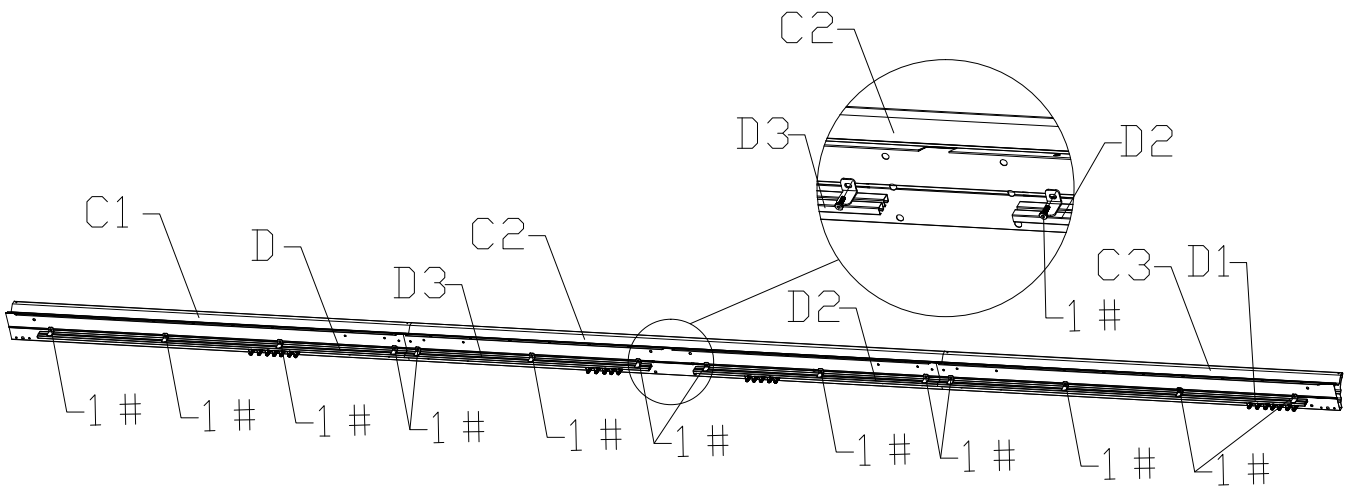
- (3) Insert Part #E into Part #C2, and secure with 4 Bolts #1.
- (4) Insert the other side of Part #E into Part #C3 and secure with 4 Bolts #1.

Repeat the above procedures to assemble the other Part#C1, C2 & C3.



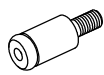
(1) Use 14 Bolts #1 to fix the track D, D1, D2 & D3 to the beam C1, C2 & C3.

Repeat the above procedures to assemble the other Part# C1, C2 & C3.



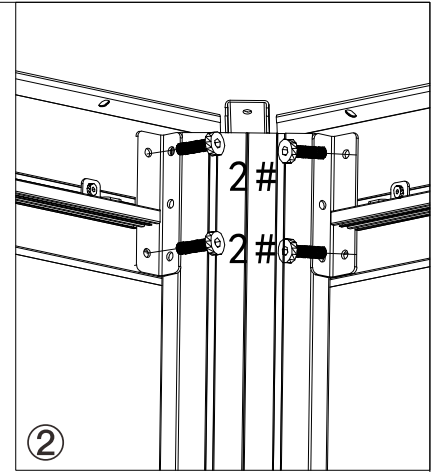


2#
x28

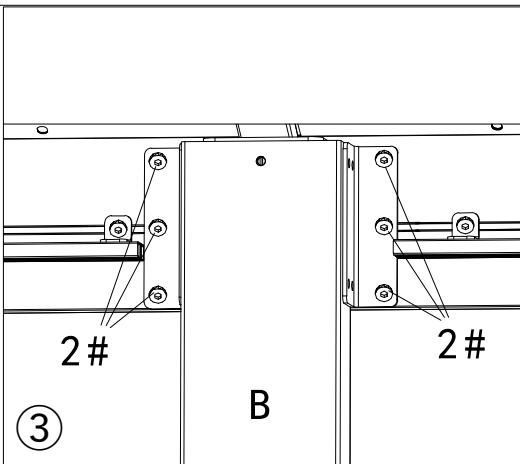


3#
x16

FRAME ASSEMBLY:



Inside View



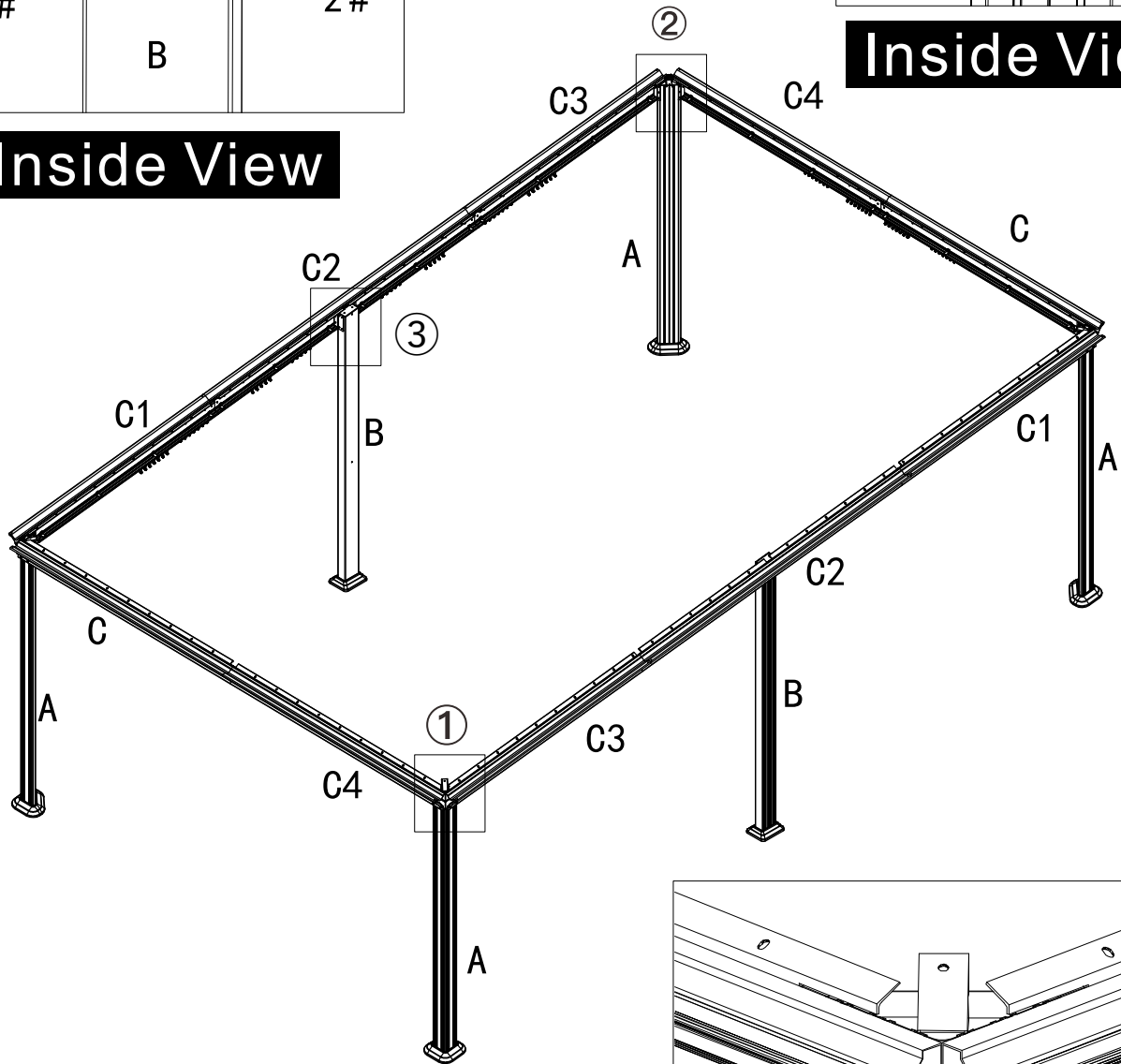
2#

2#

B

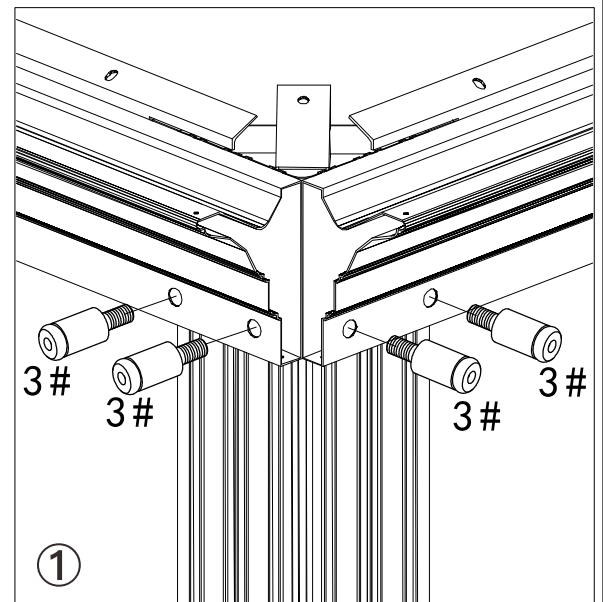
③

Inside View



Please don't tighten
all bolts.

Outside View



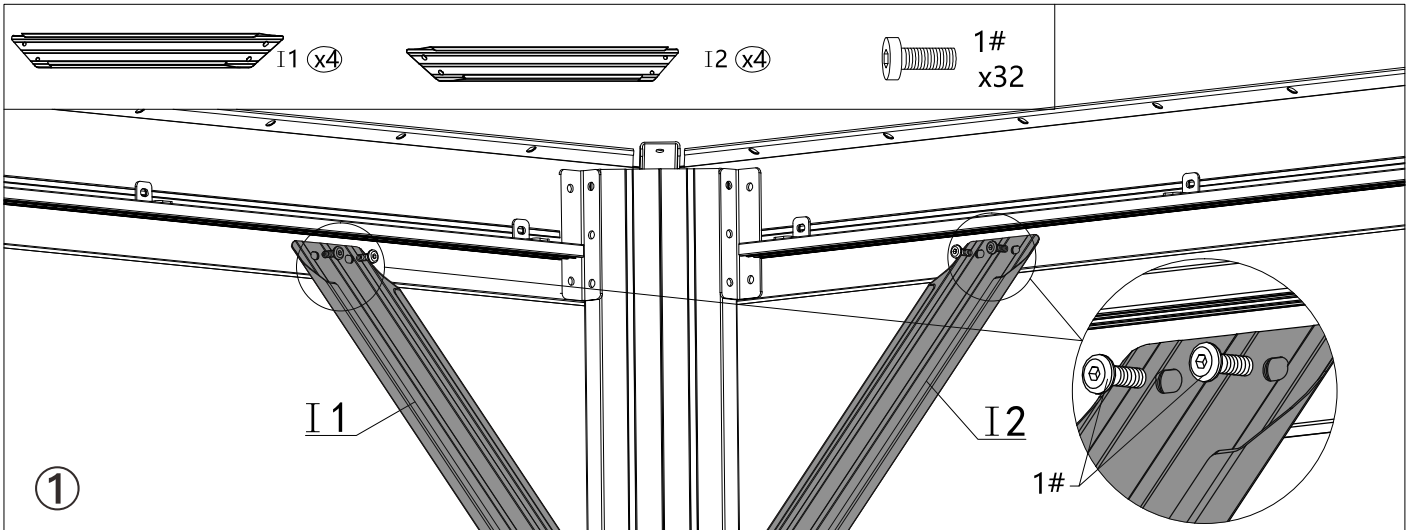
3#

3#

3#

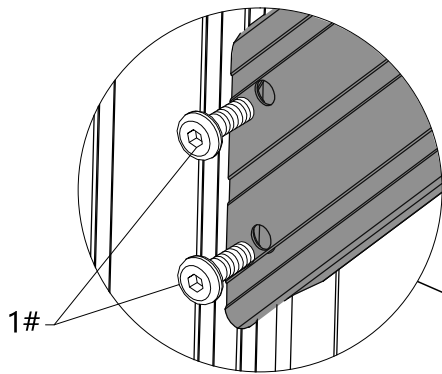
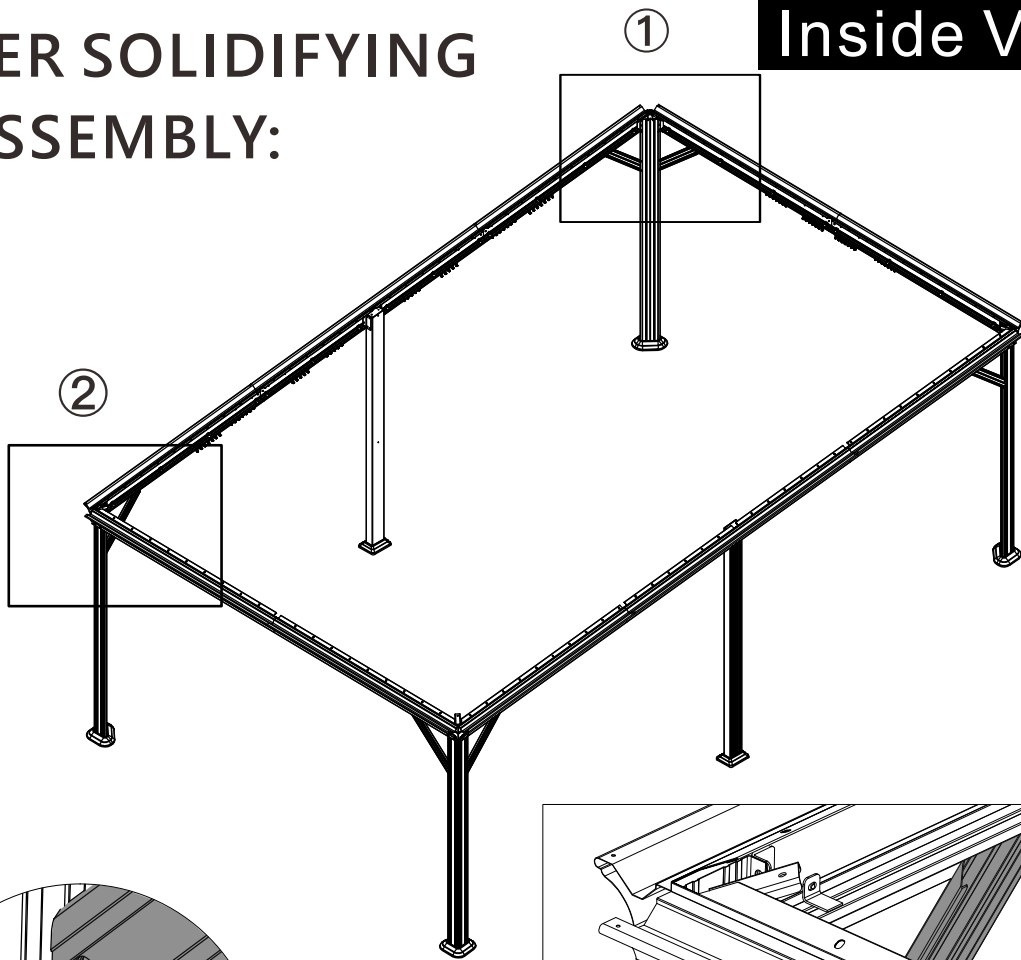
3#

①

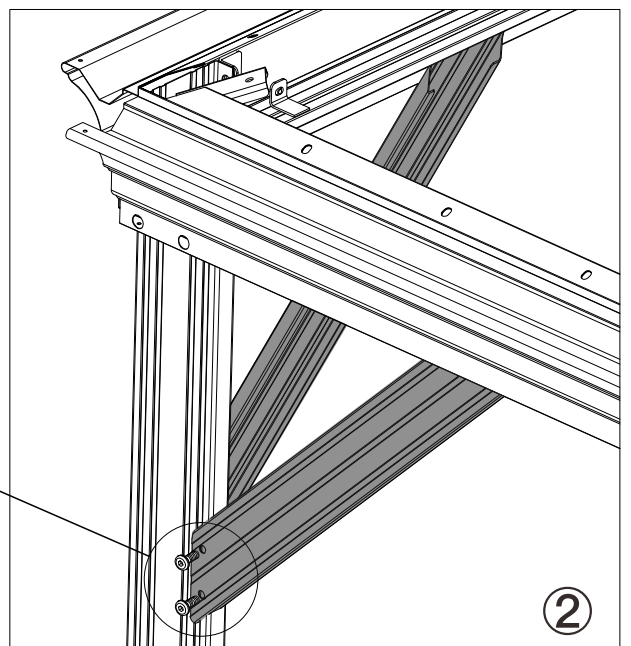


CORNER SOLIDIFYING BAR ASSEMBLY:

Inside View



Outside View

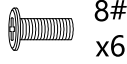




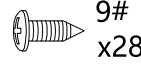
F (x4)



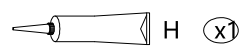
G (x6)



8#
x6

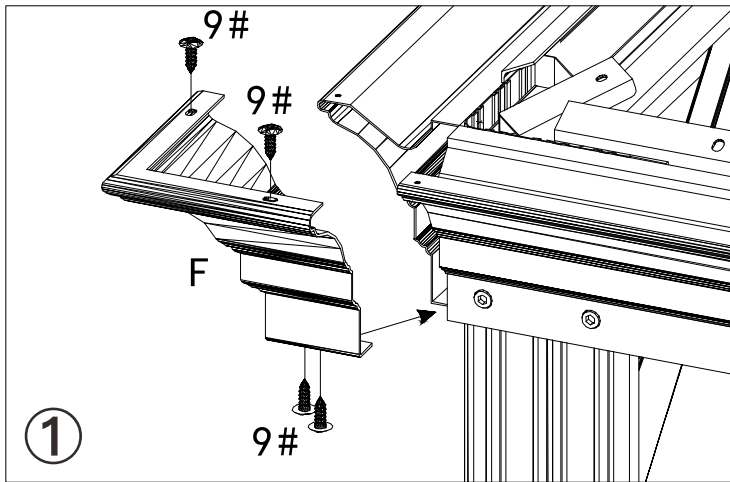
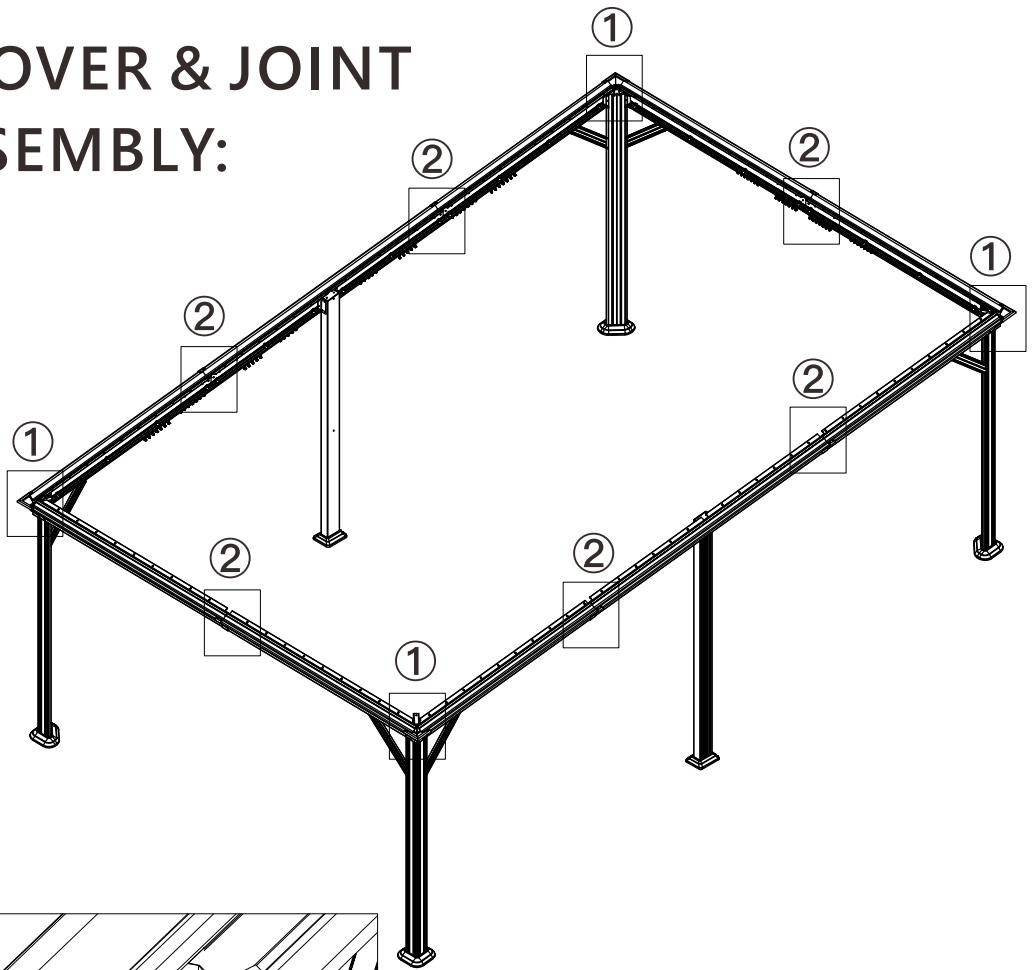


9#
x28

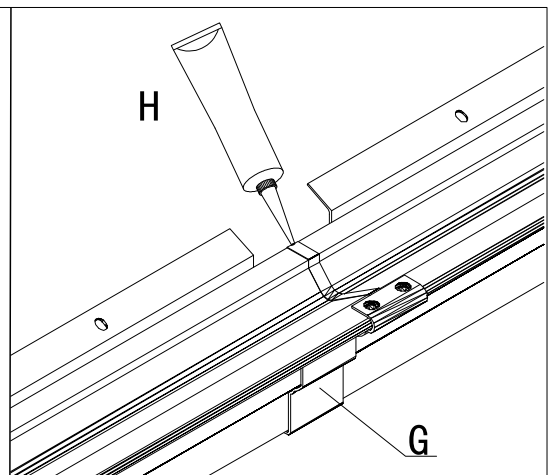
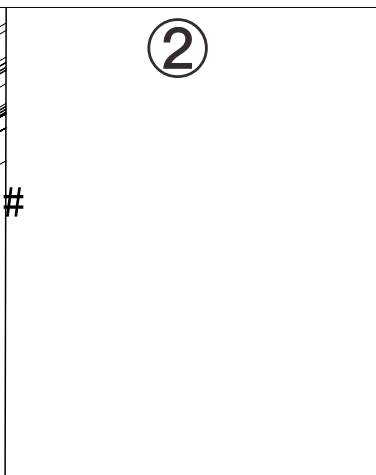
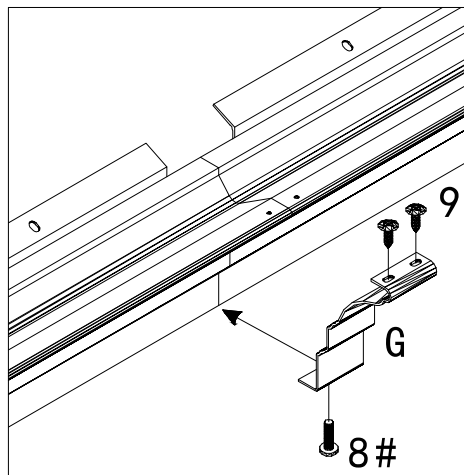


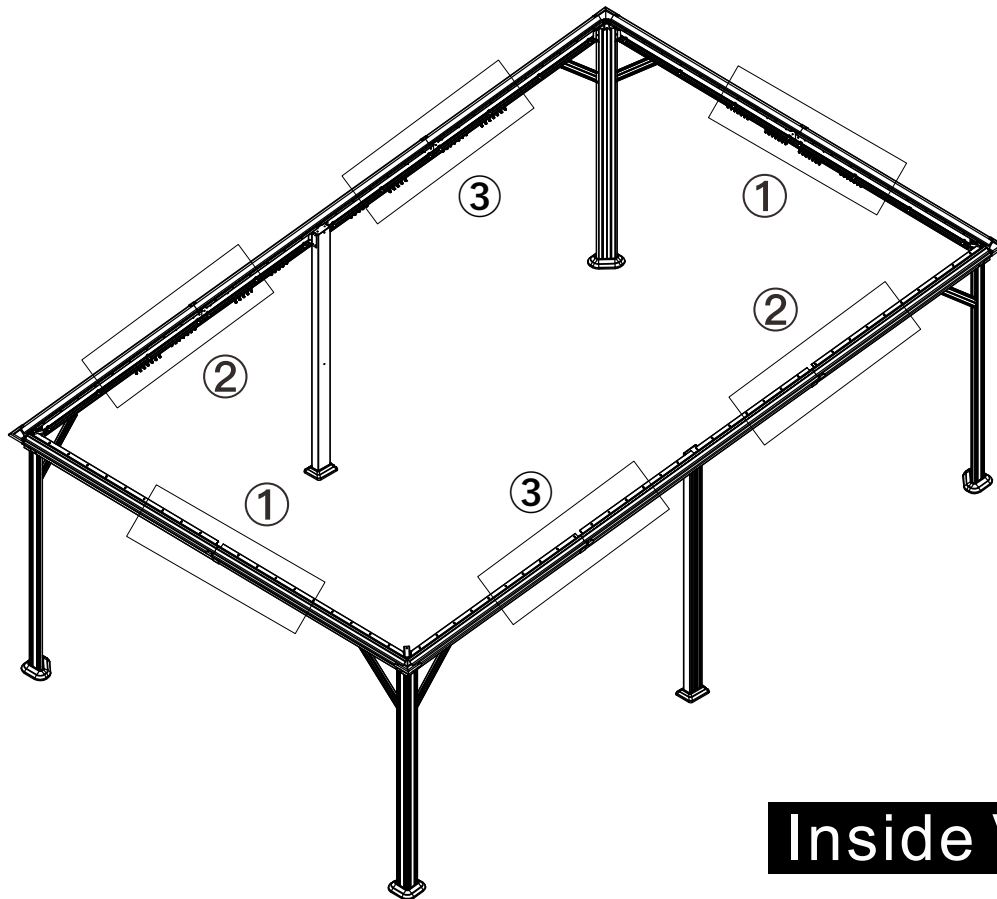
H (x1)

CORNER COVER & JOINT COVER ASSEMBLY:

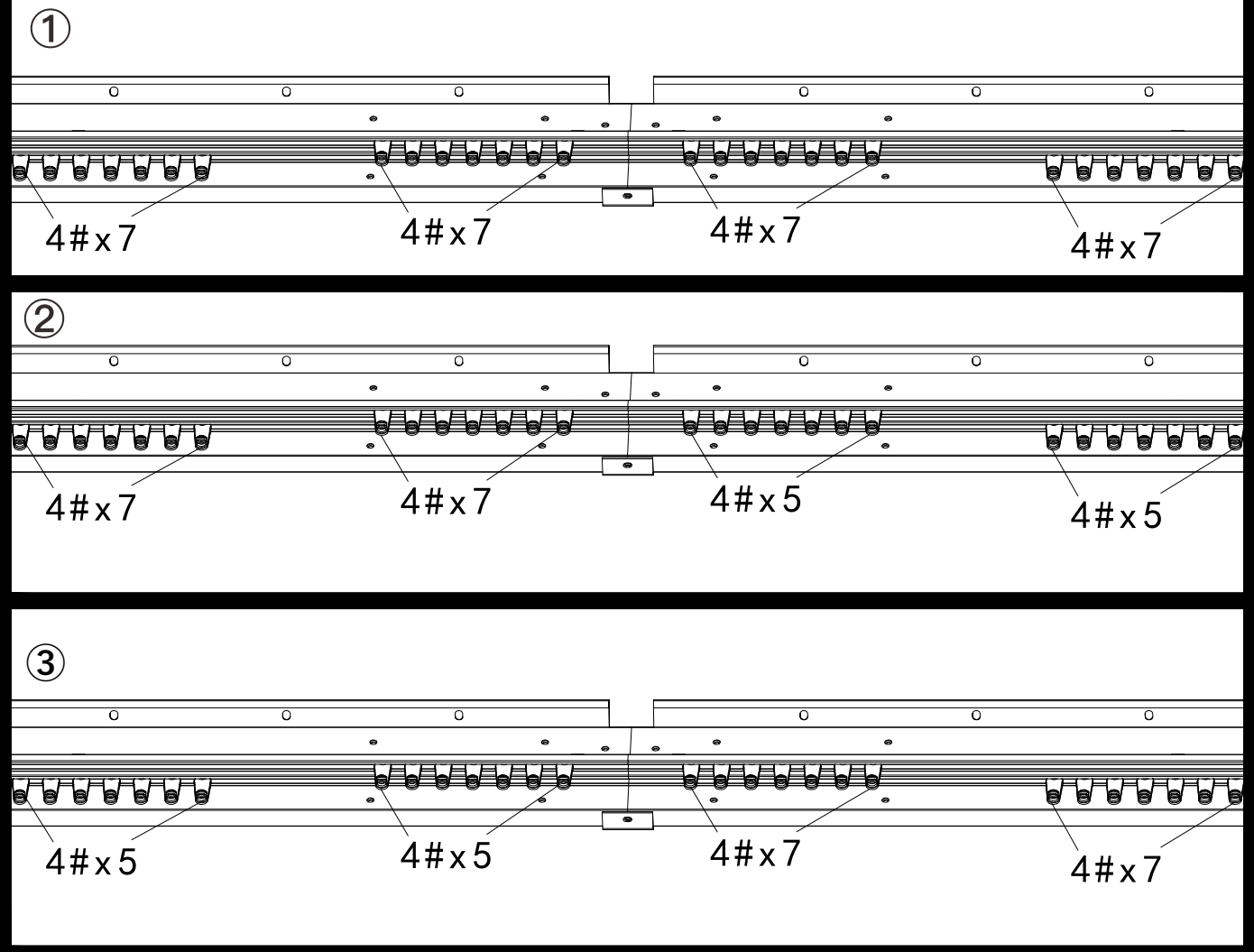


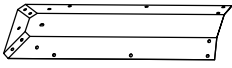
Use 5mm silicone sealant (part #H) and Joint Cover #G to affix the gap.



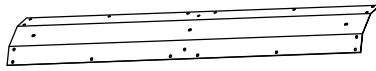


Inside View

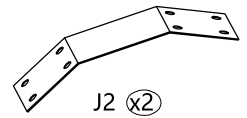




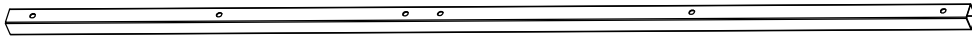
J (x2)



J1 (x1)

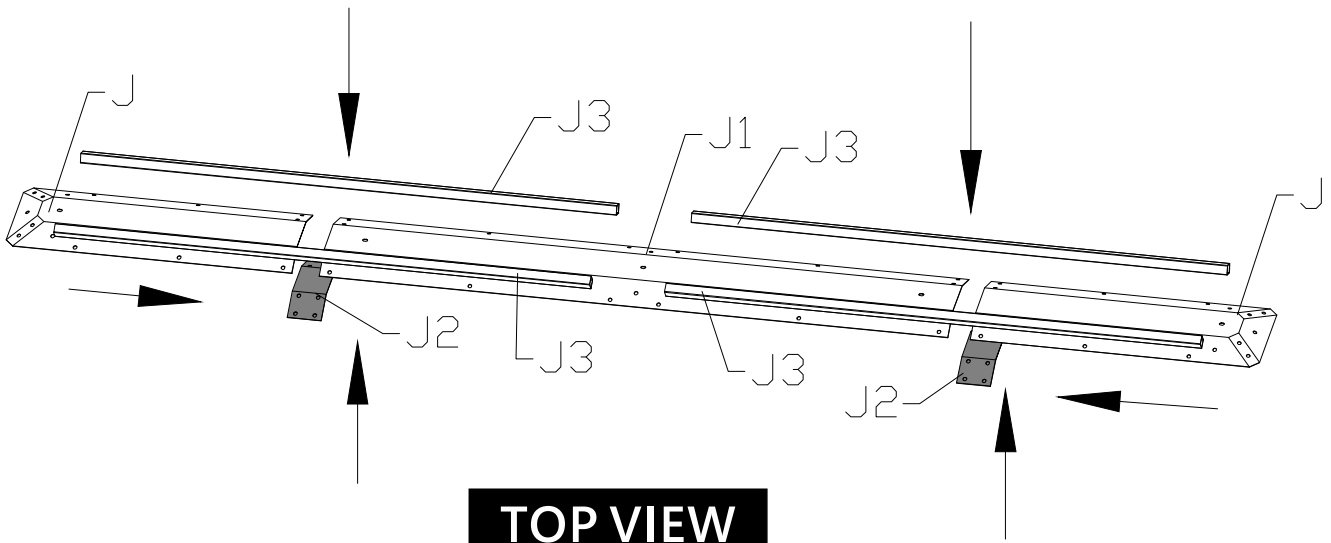


J2 (x2)

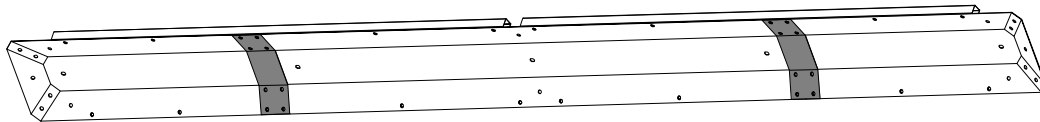


J3 (x4)

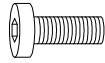
INSIDE ROOF COVER ASSEMBLY:



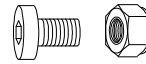
TOP VIEW



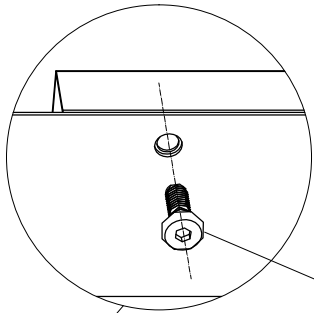
BOTTOM VIEW



1#
x24



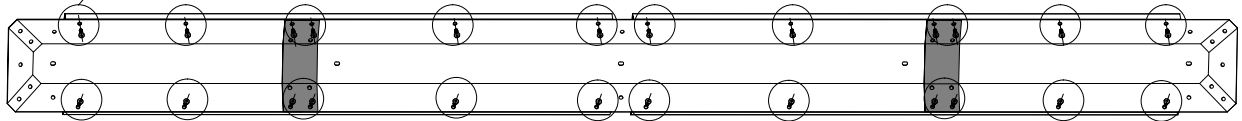
11#
x8



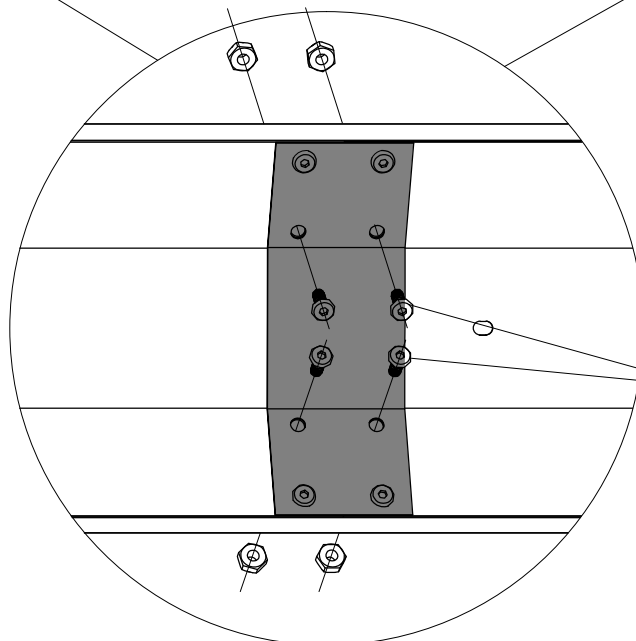
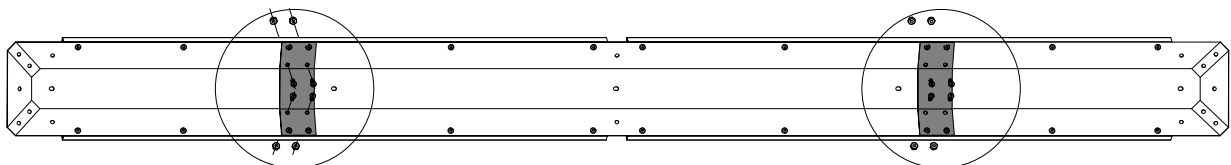
1 #

(1) Use 16 Bolts #1 to connect 4 Solidifying Bar #J3 with 2 Part#J & 1 Part #J1.

(2) Use 8 Bolts #1 to connect 2 Inside Roof Cover Connector #J2 with 4 Part #J3.



BOTTOM VIEW



11#

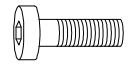
(3) The 2 Part #J and 1 Part #J1 are connected by 2 Part #J2, then secure with 8 Bolts 11# and nuts.



M x4

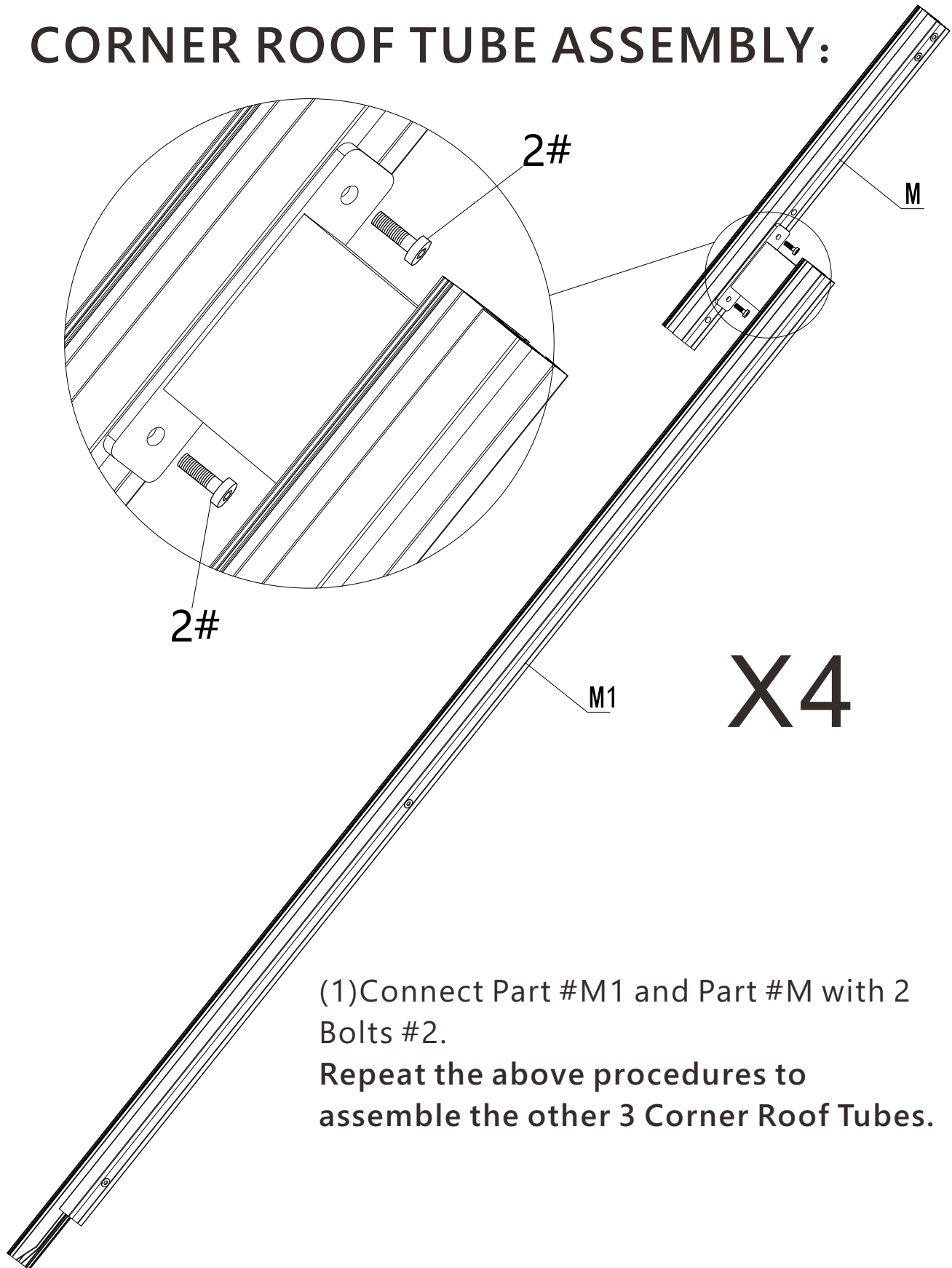


M1 x4



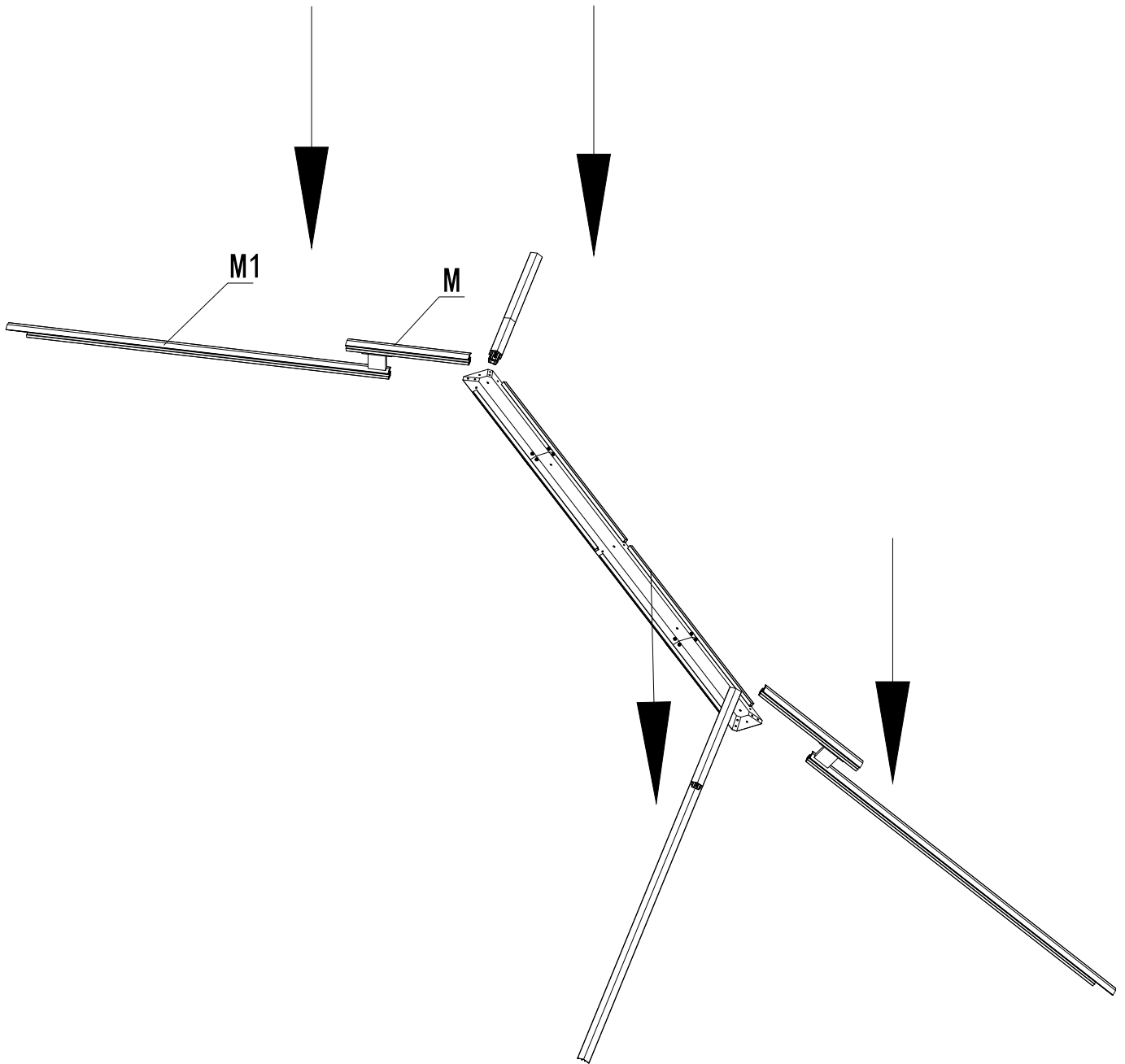
2#
x8

CORNER ROOF TUBE ASSEMBLY:

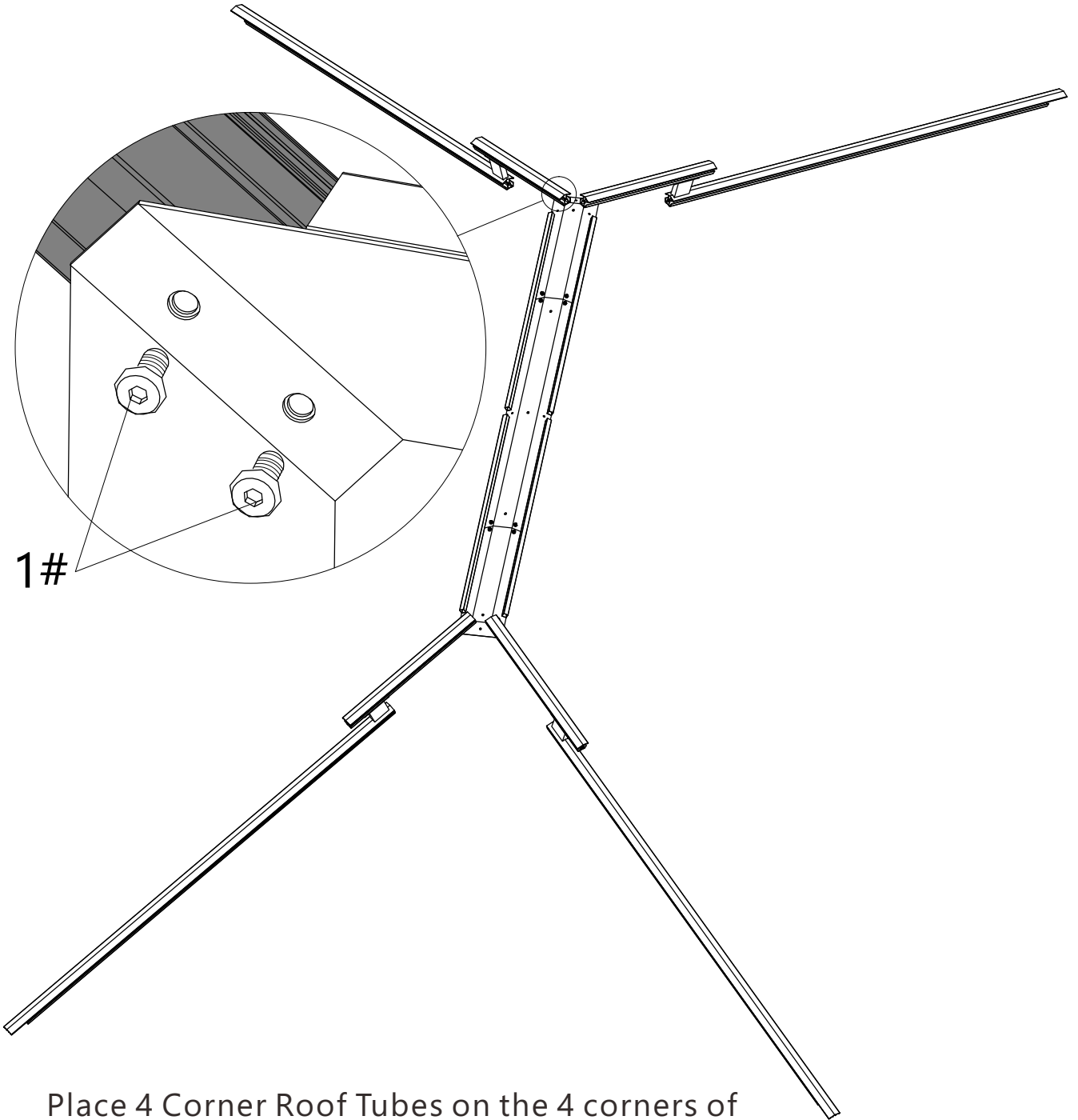


(1) Connect Part #M1 and Part #M with 2 Bolts #2.
Repeat the above procedures to assemble the other 3 Corner Roof Tubes.

CORNER ROOF TUBE AND INSIDE ROOF CONNECTOR ASSEMBLY:

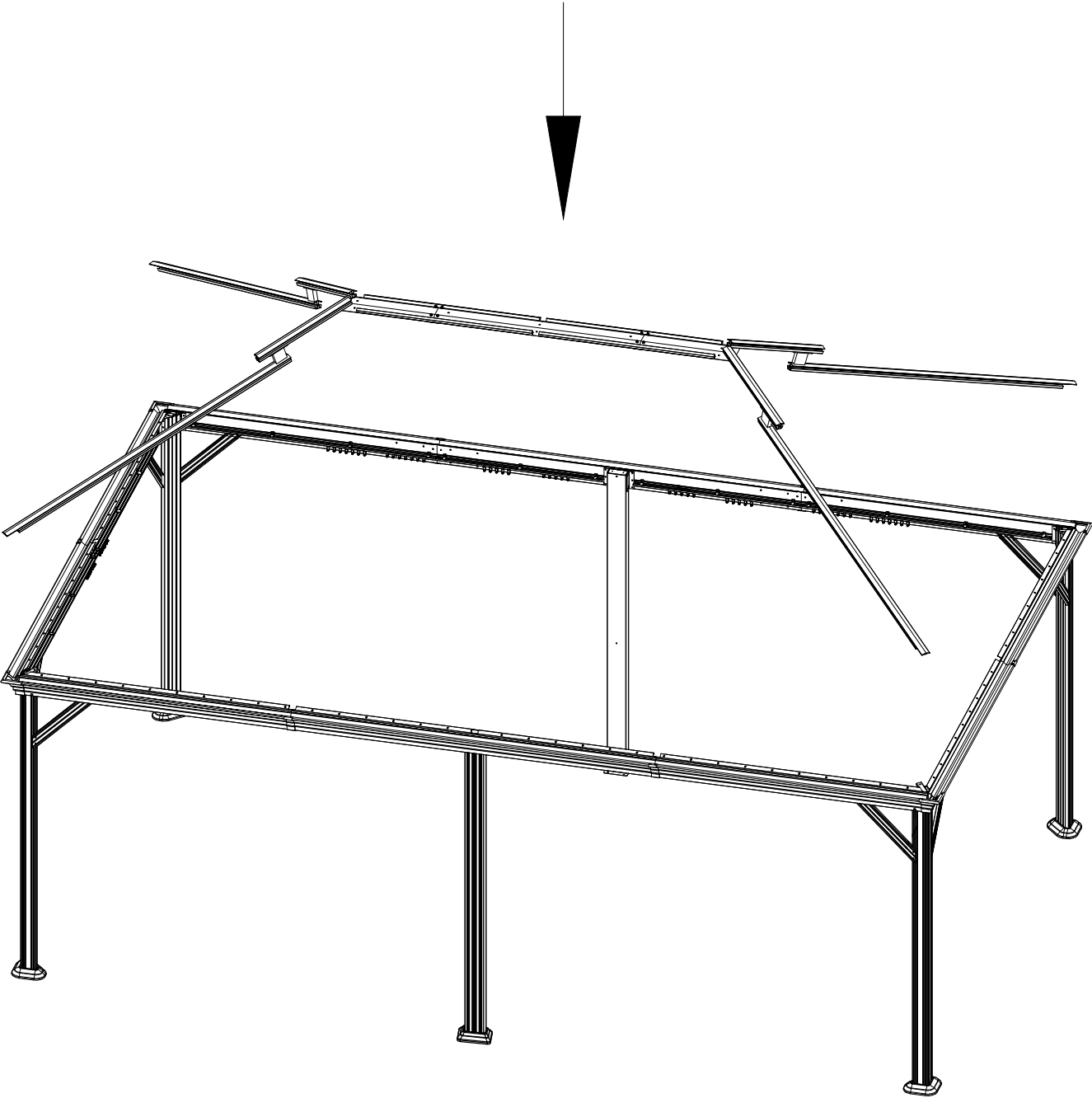


1#
x8



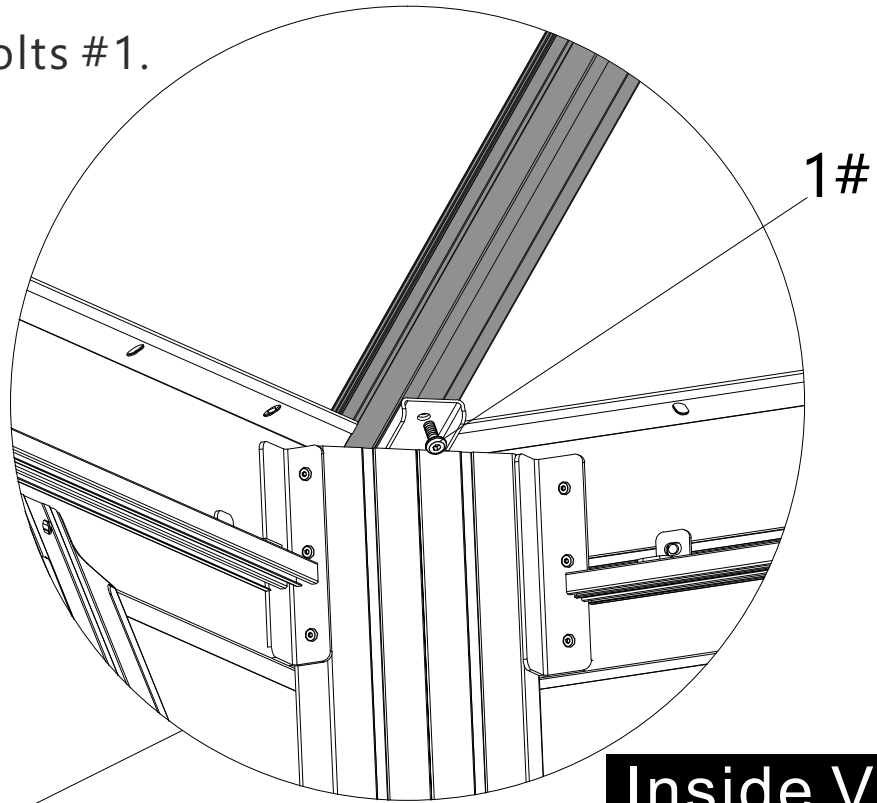
Place 4 Corner Roof Tubes on the 4 corners of
Inside Roof Cover #J, secure with 8 Bolts #1.
(From bottom to top)

Lift 4 corner roof tubes and inside roof connector to the top of the frame. (You may need 2 people and 2 ladders.)

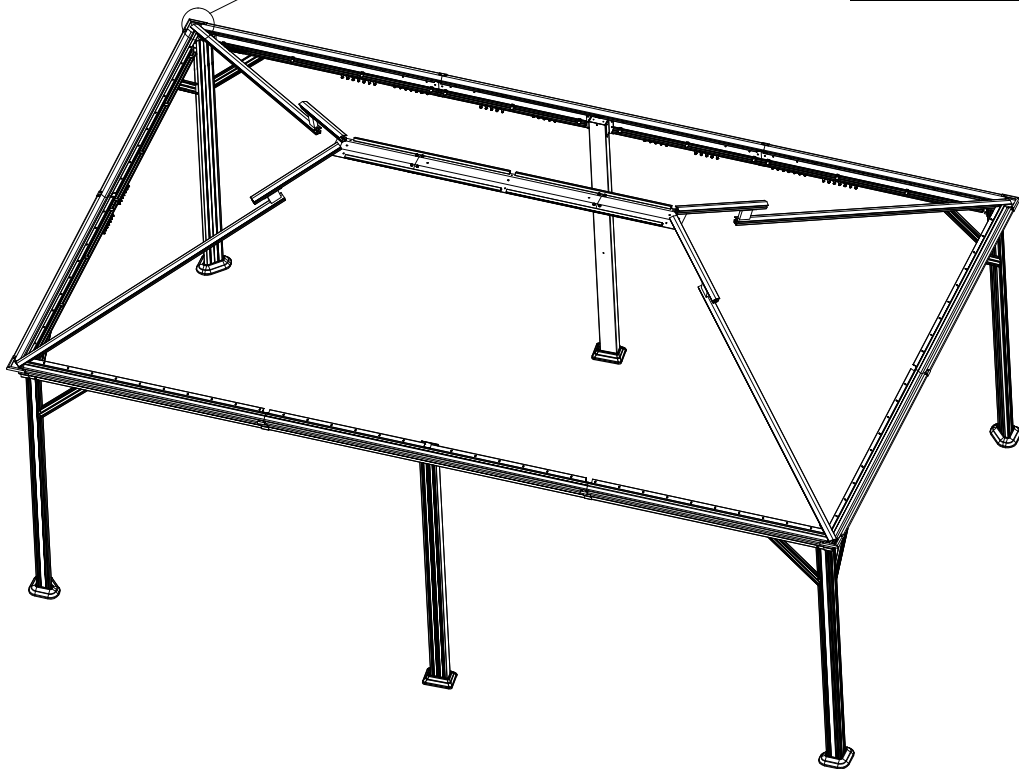


1#
×4

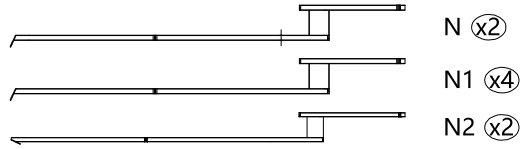
Secure with 4 Bolts #1.



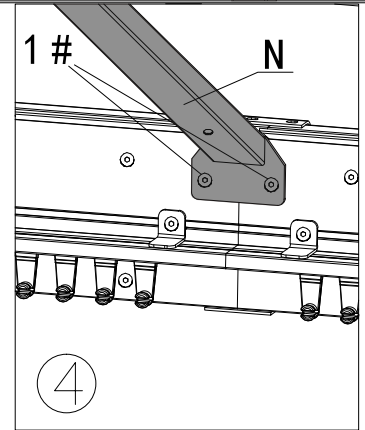
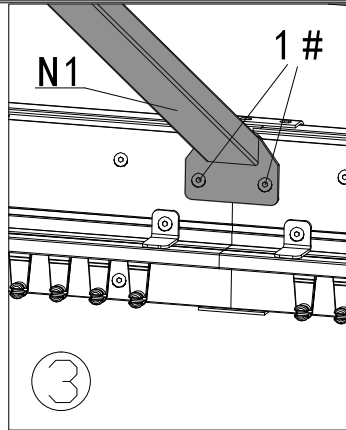
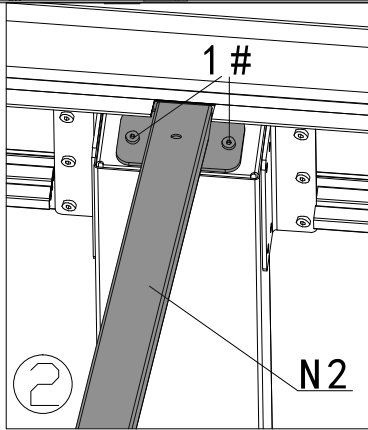
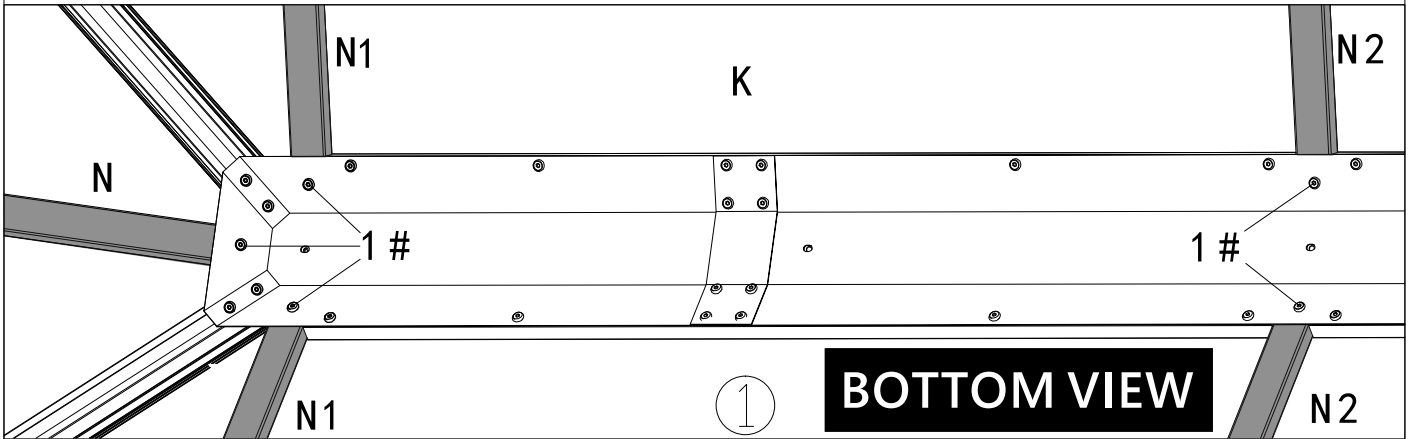
Inside View



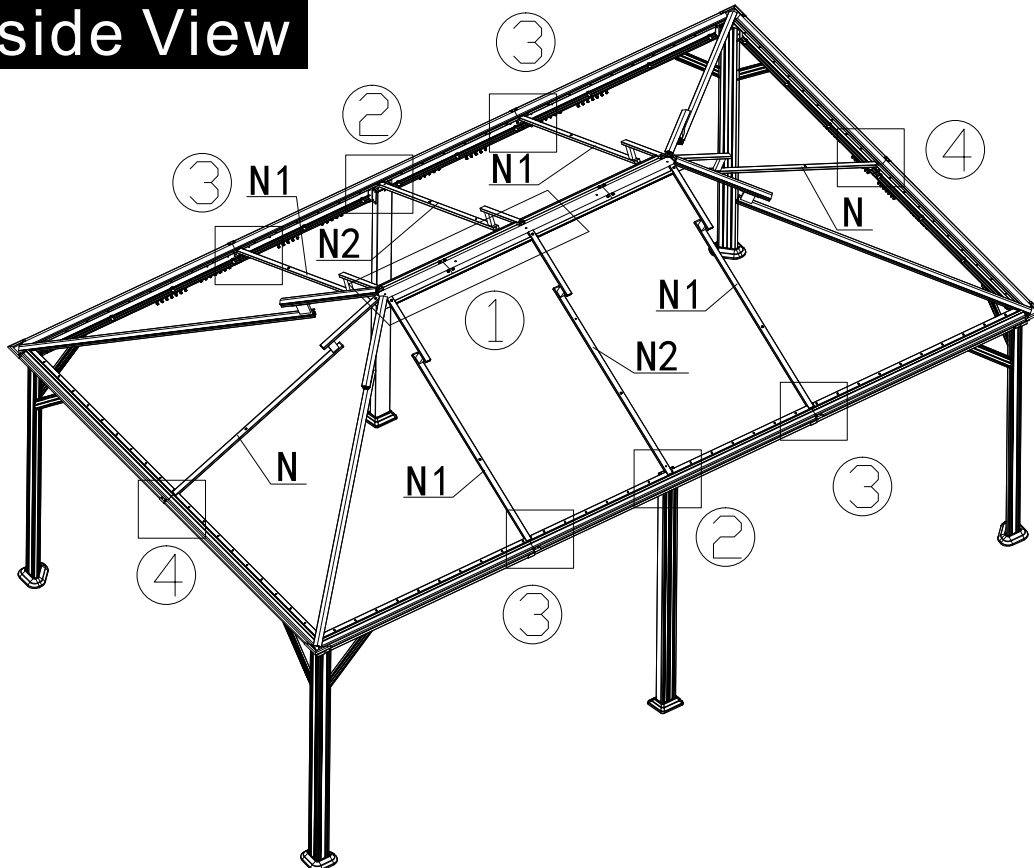
1#
x24



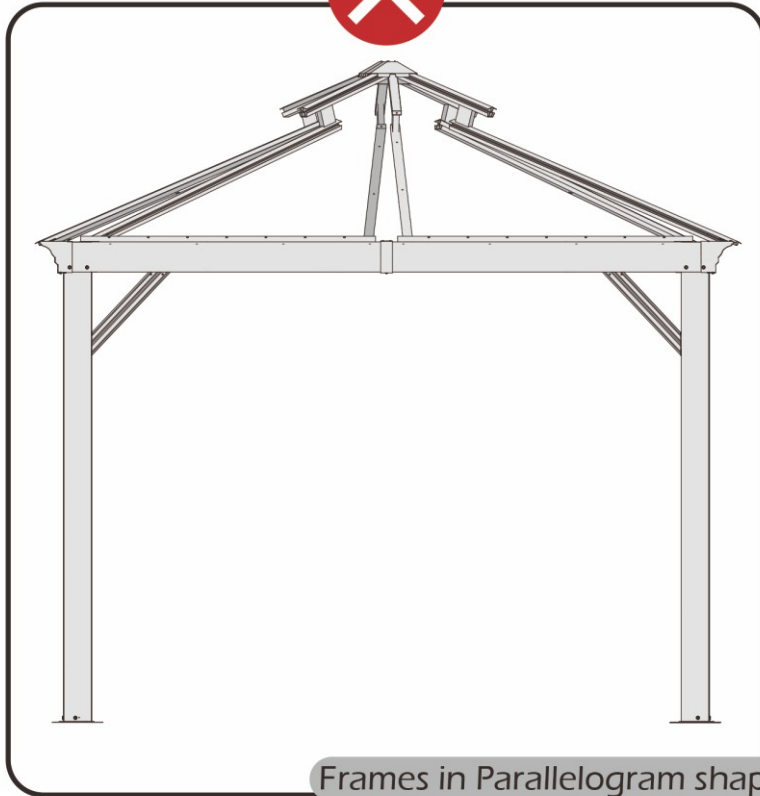
MIDDLE ROOF TUBE ASSEMBLY:



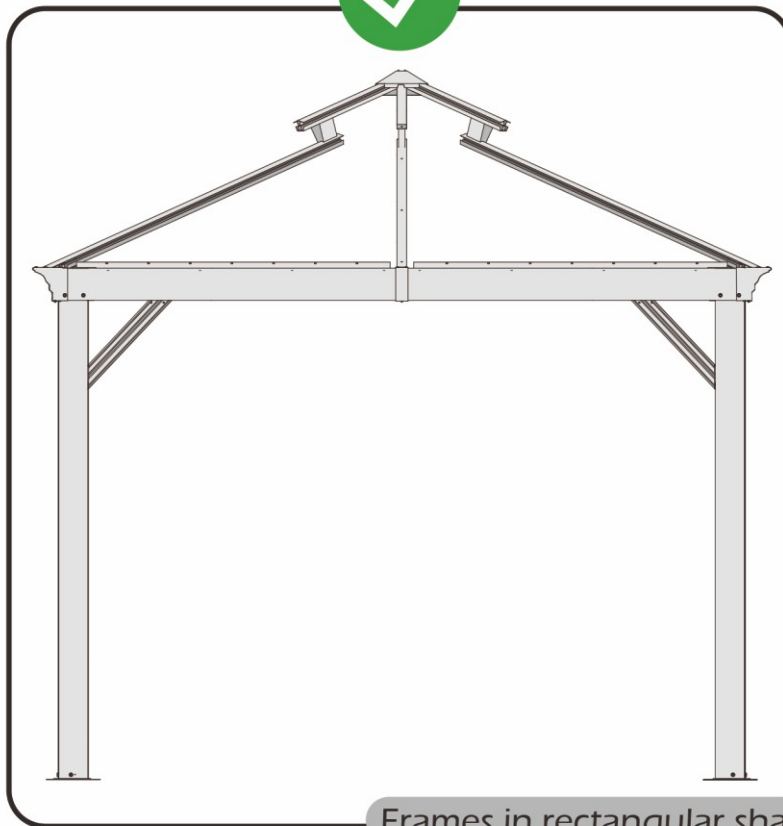
Inside View



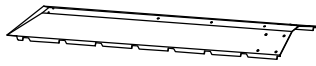
Check the the frame as pictures below shows.



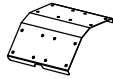
Frames in Parallelogram shape



Frames in rectangular shape



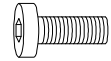
1283MM
E3 (x2)



E1 (x1)

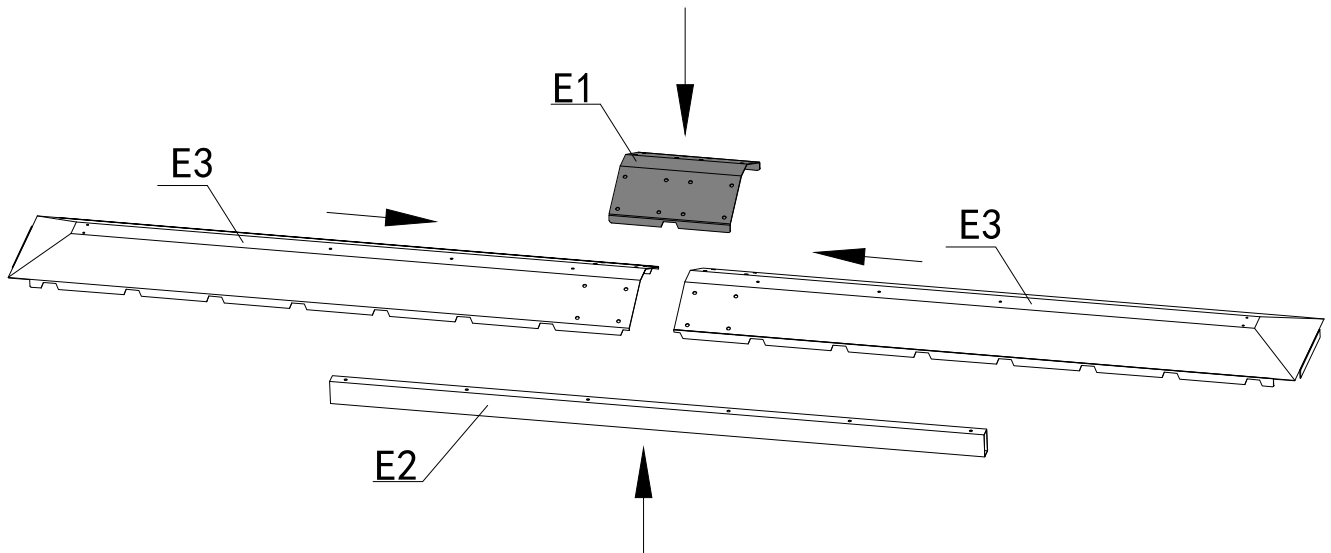


1350MM
E2 (x1)

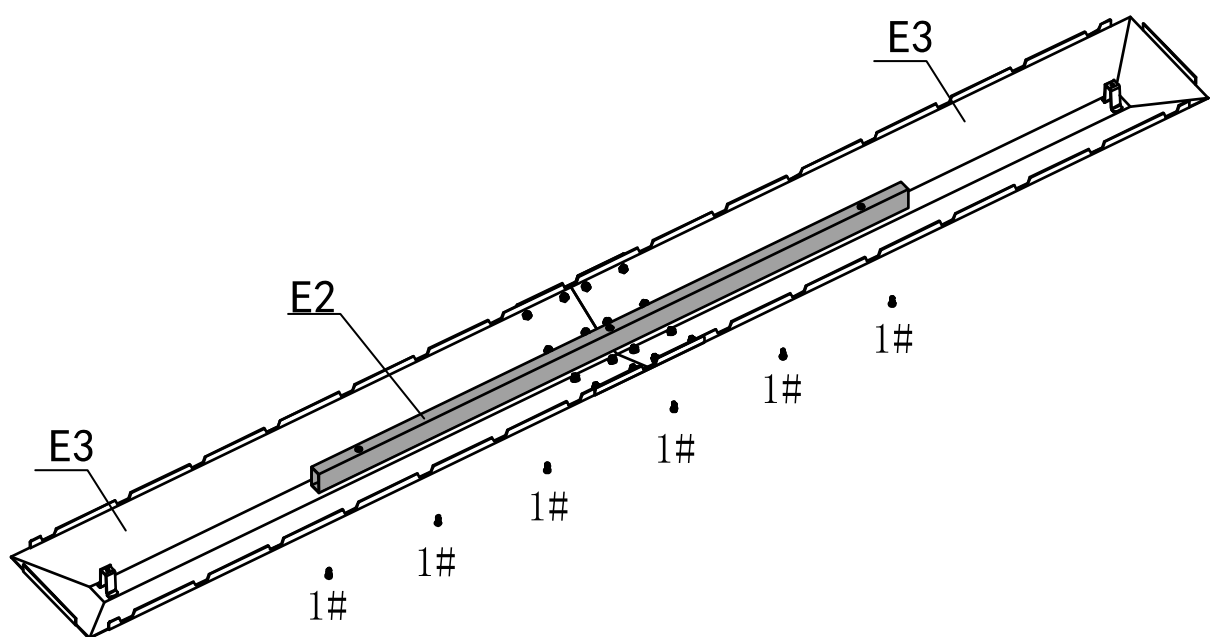


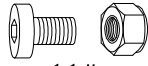
1#
x6

OUTSIDE ROOF COVER ASSEMBLY:



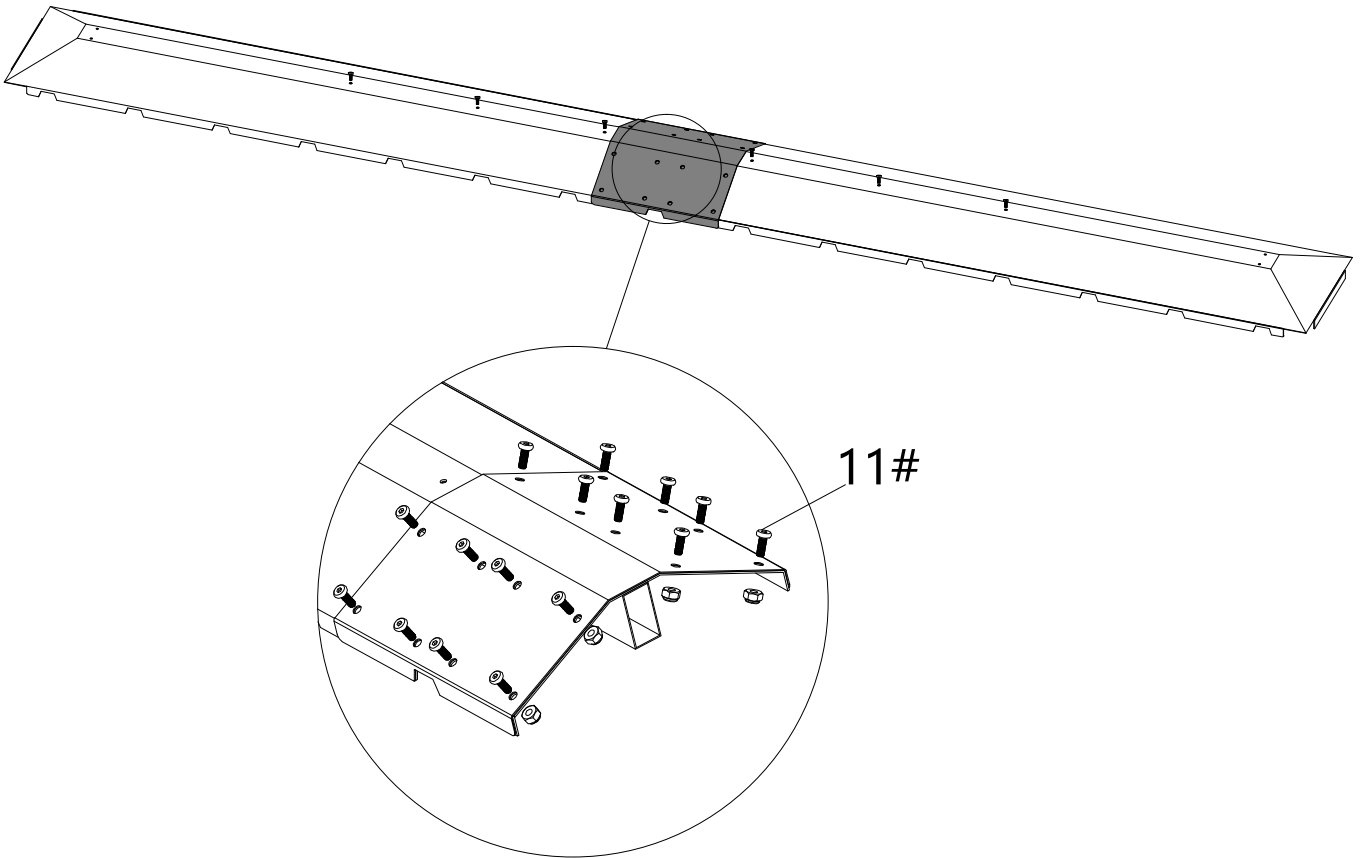
(1) Align the two Parts #E3 as shown, then place the Solidifying Tube #E2 on the bottom and secure with 6 Bolts#1 (from top to bottom).

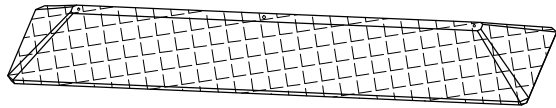




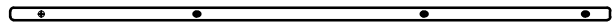
11#
x16

(2) Put the Cover #E1 on the top of Parts #E3 and secure with 16 Bolts #11 and nuts.(from top to bottom).





O (x1)

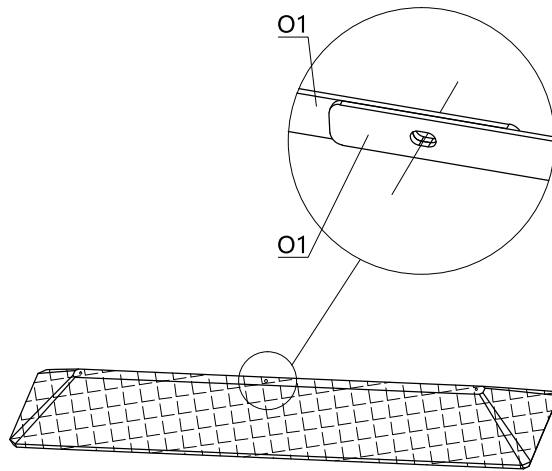
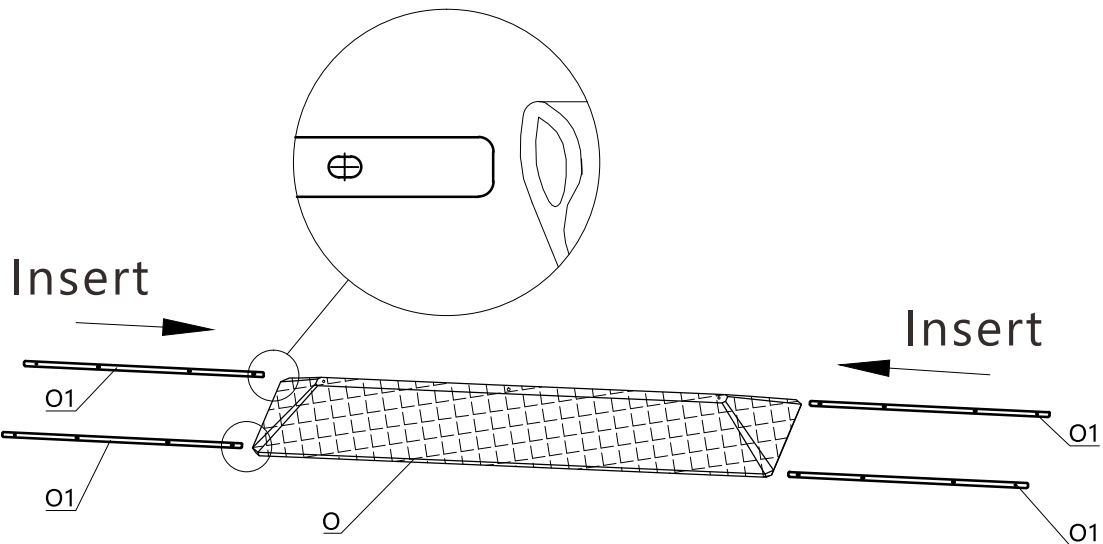


O1 (x4)

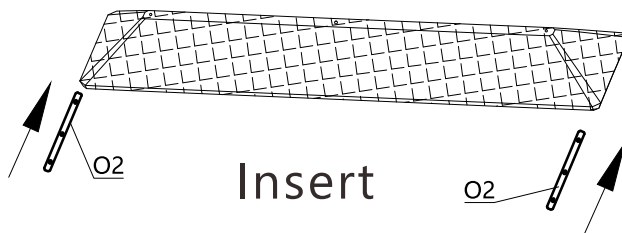


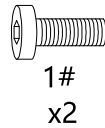
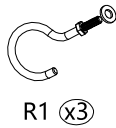
O2 (x2)

PLASTIC BAR ASSEMBLY:



Align the holes

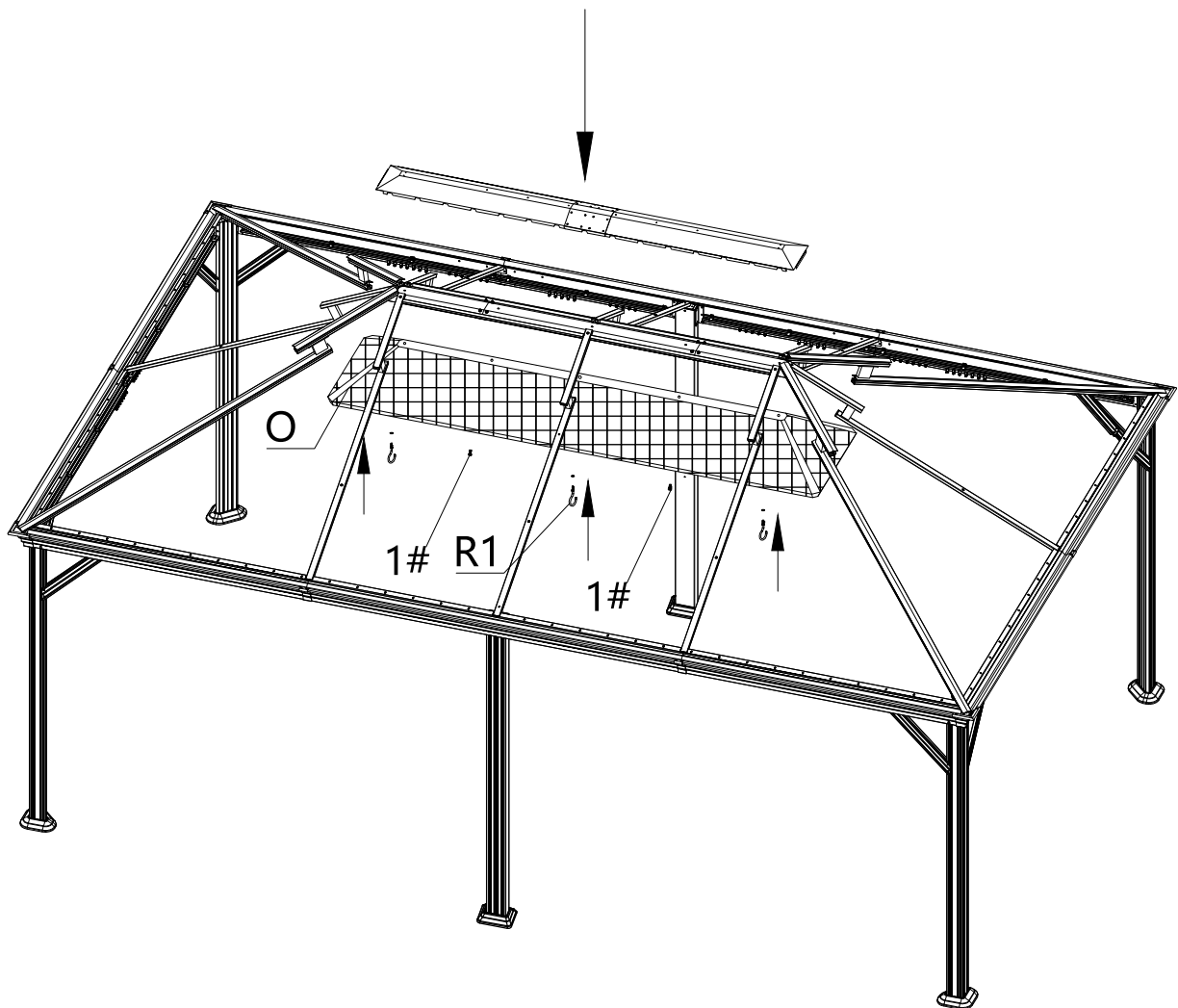


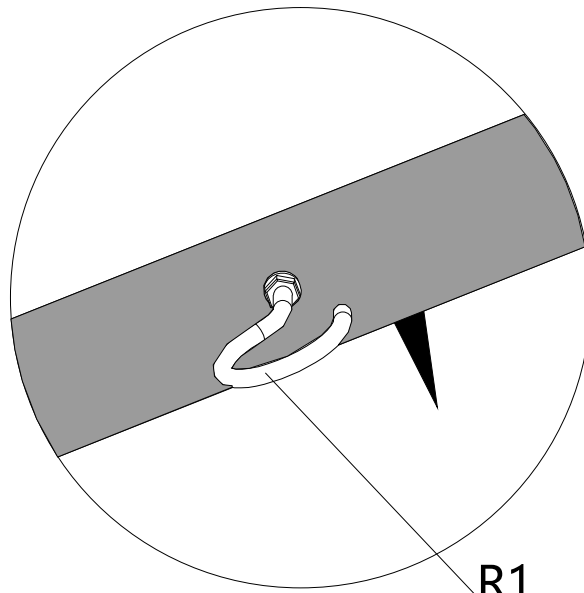


OUTSIDE ROOF COVER AND MESH ASSEMBLY:

(1) Place the Outside Roof Cover on the Inside Roof Cover.

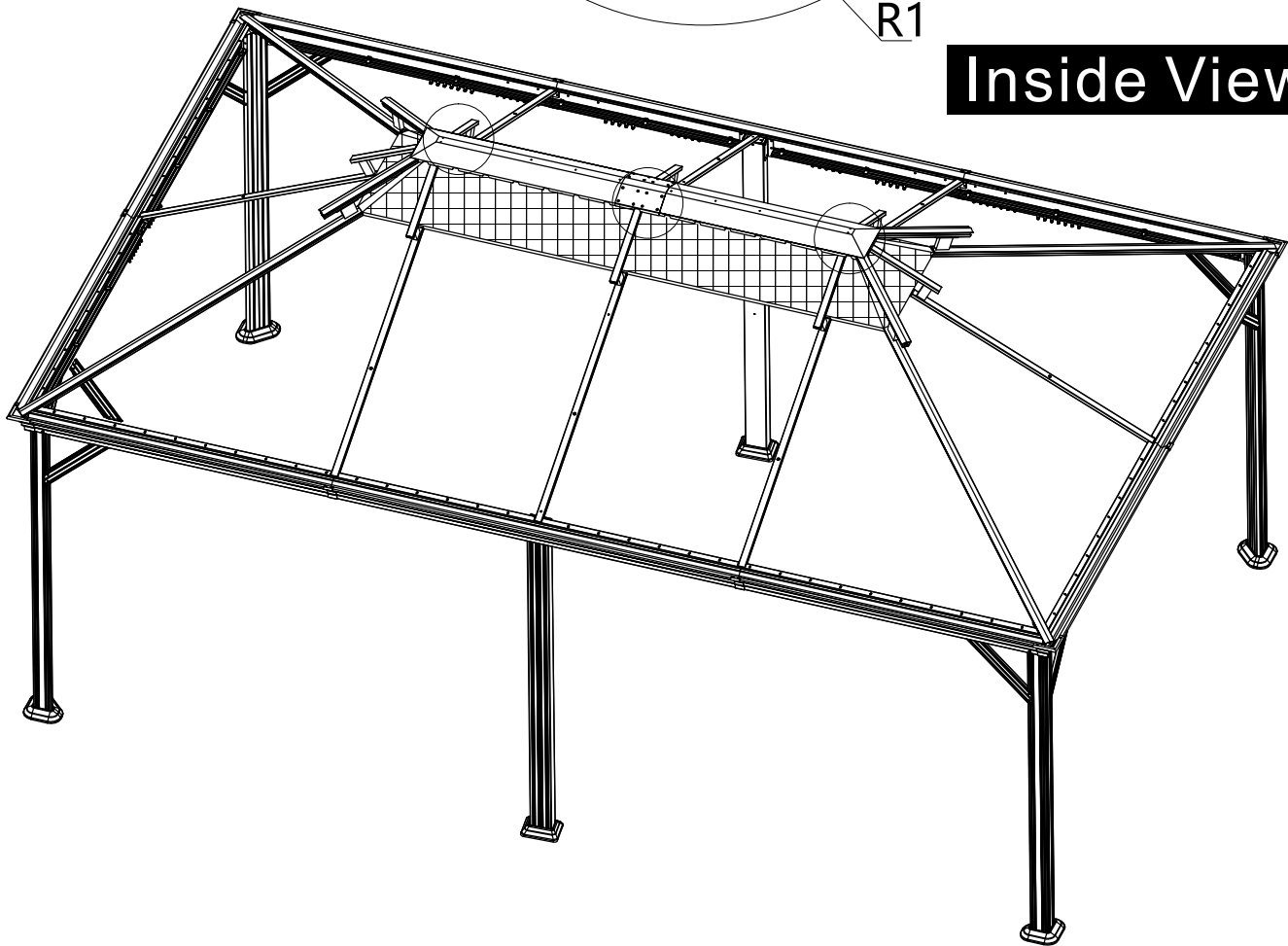
(2) Align the holes and use 3 Hooks #R1 to secure Mesh #O to the Inside Roof Cover. (From Bottom to Top)

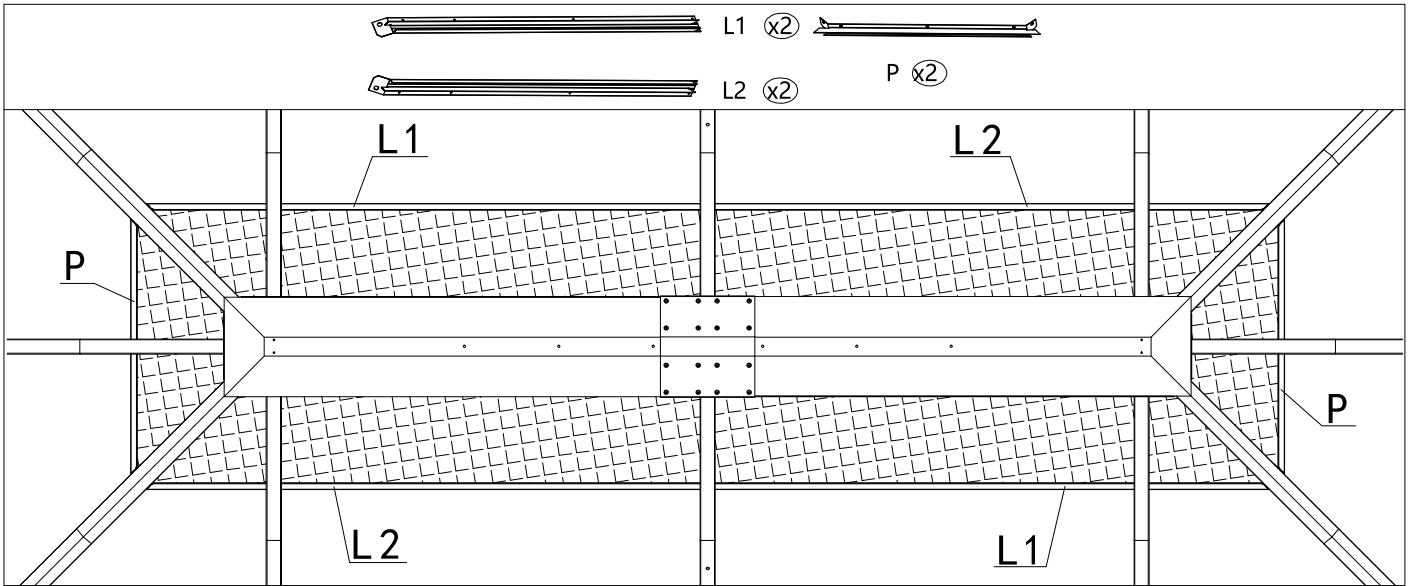




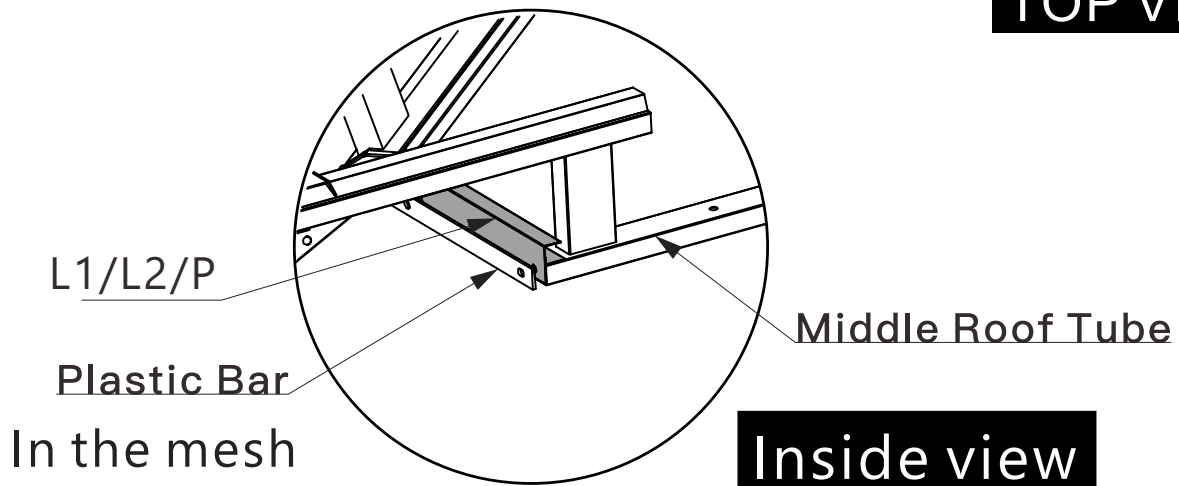
R1

Inside View





TOP VIEW

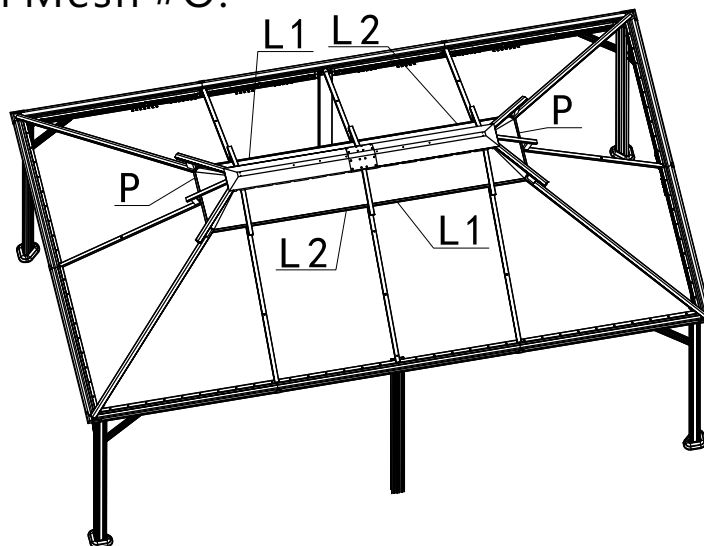


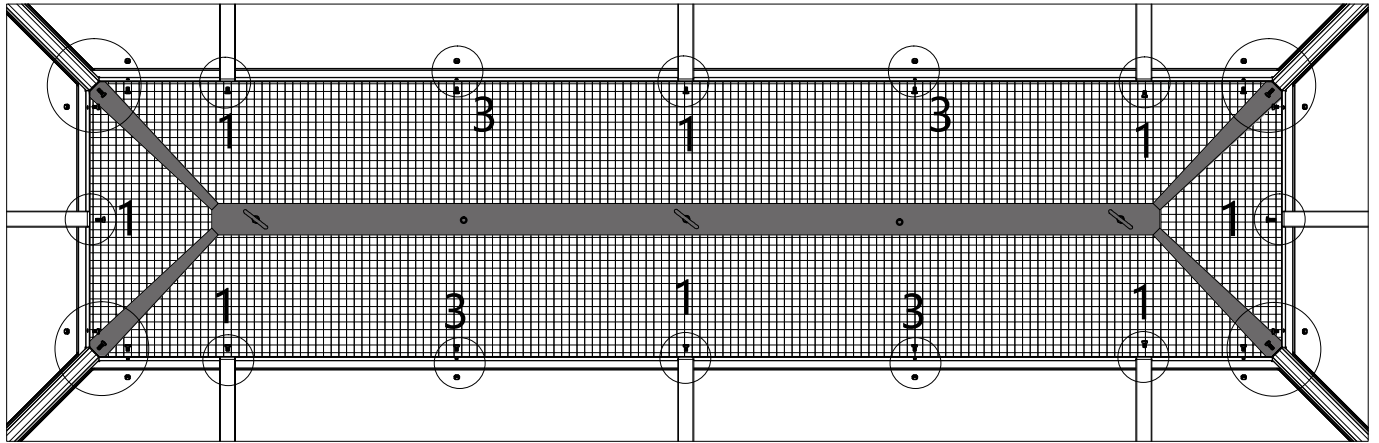
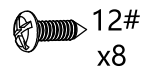
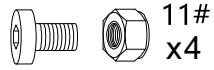
Inside view



Please do not pull plastic bar out when installing it with #L1,L2&P on the middle roof tube.

Extend the Small Mesh #O.

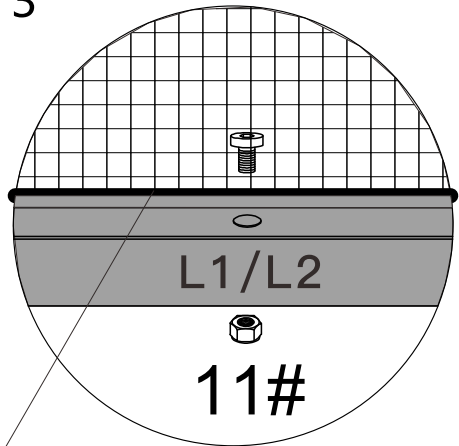
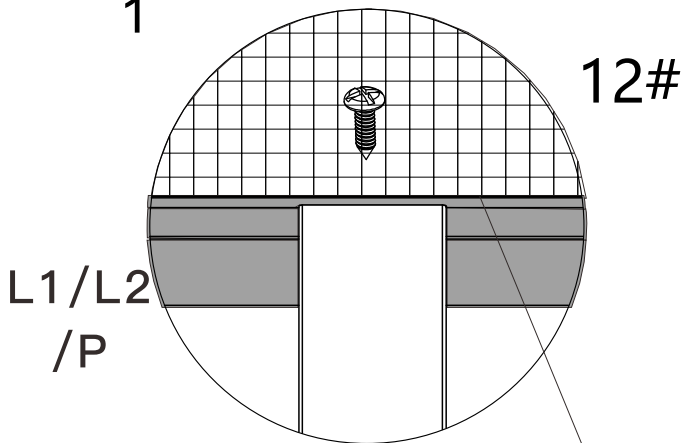




BOTTOM VIEW

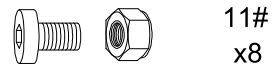
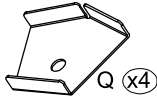
1

3

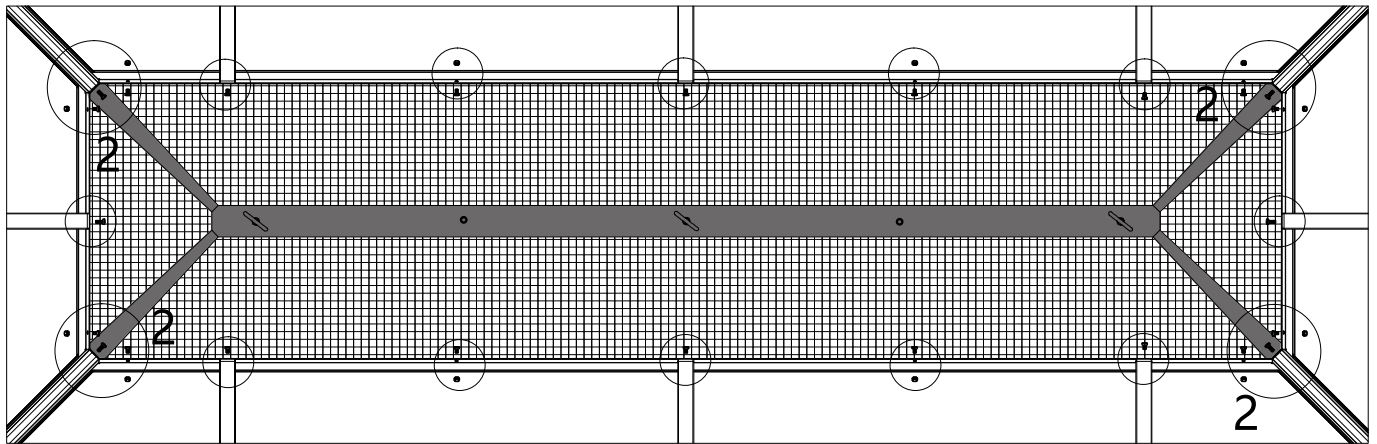


Plastic Bar
in the mesh

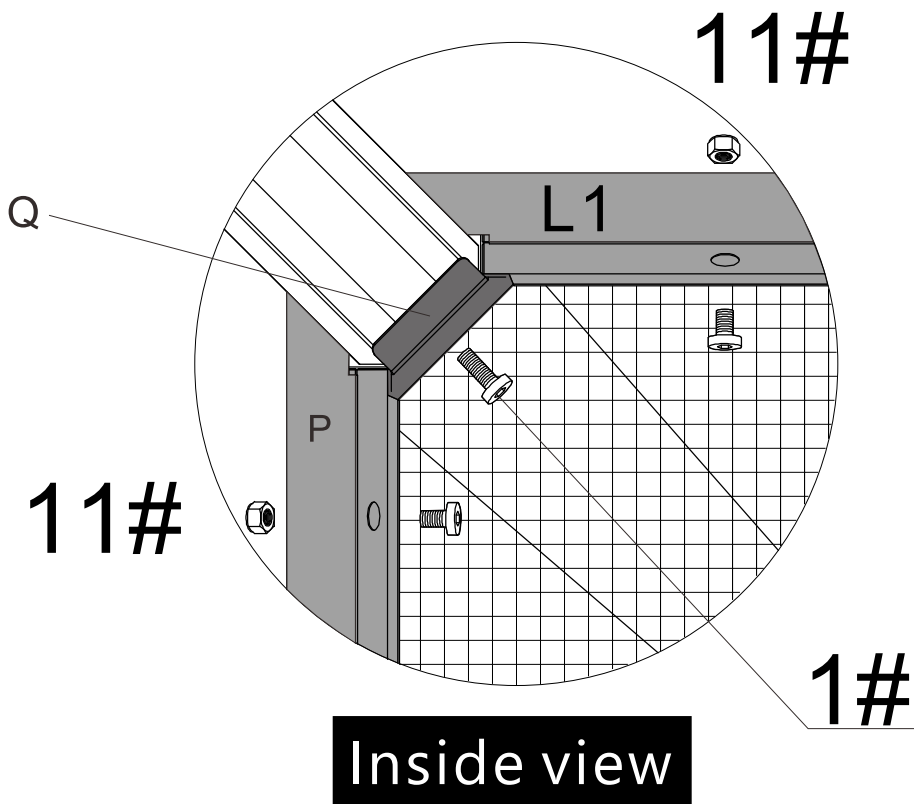
Secure the small mesh, plastic bar and finishing bar to the middle roof tube.



FINISHING END #Q ASSEMBLY:

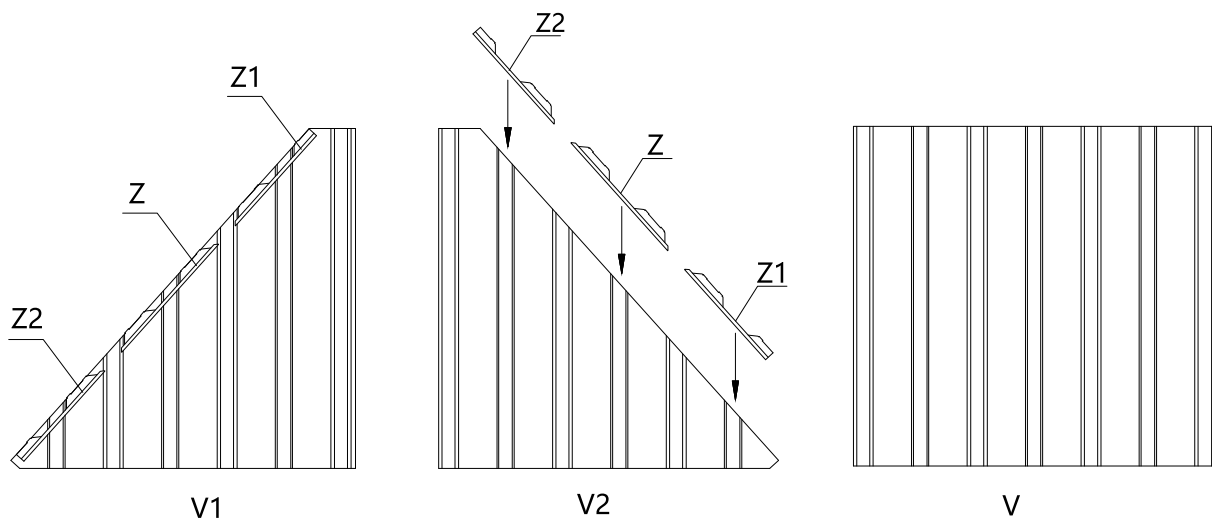
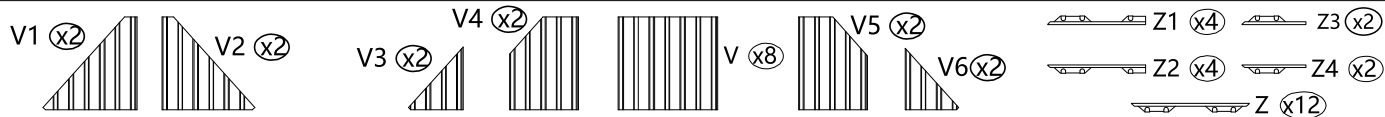


Bottom View

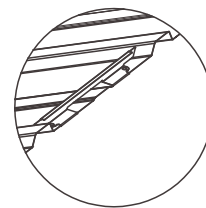
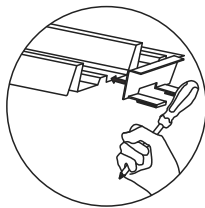
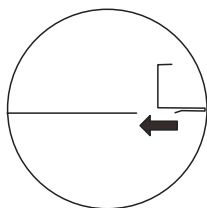
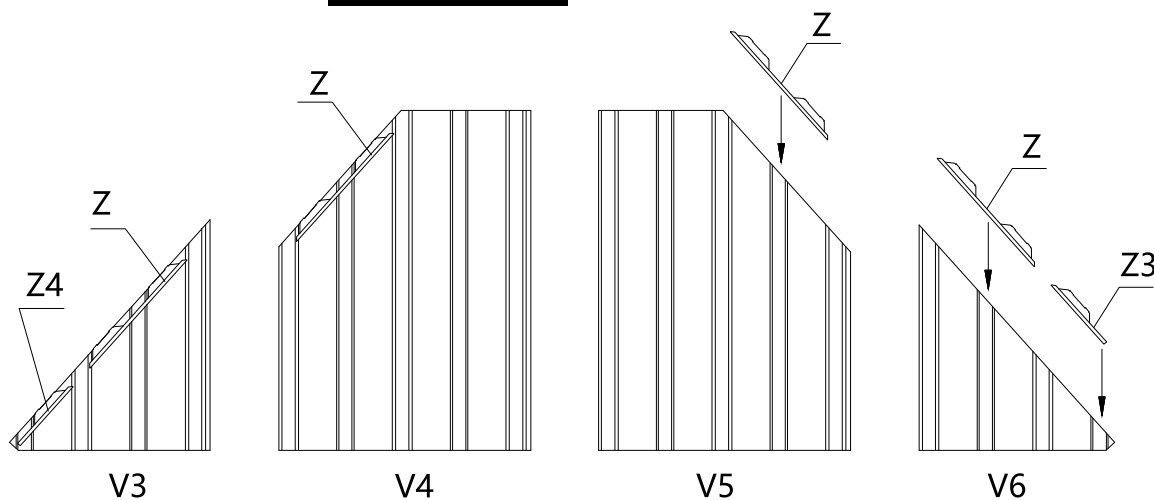
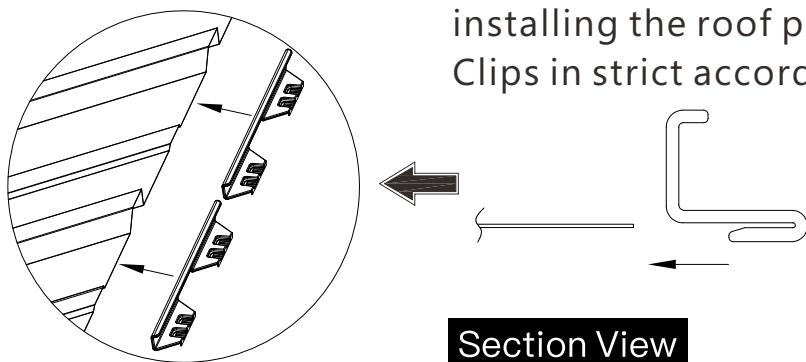


Inside view

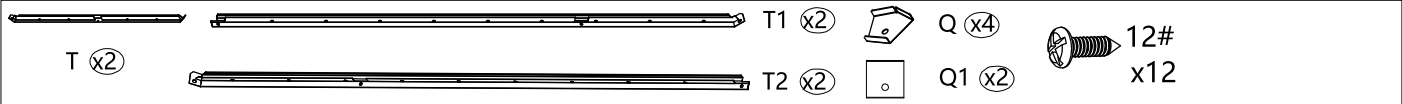
- (1) use 2 bolts and nuts #11 to secure the small mesh, plastic bar to finishing bar.
- (2) Use bolt #1 to secure the small mesh and finishing end #Q to the corner roof tube.
- (3) Repeat above procedures to assemble the other 3 sides.



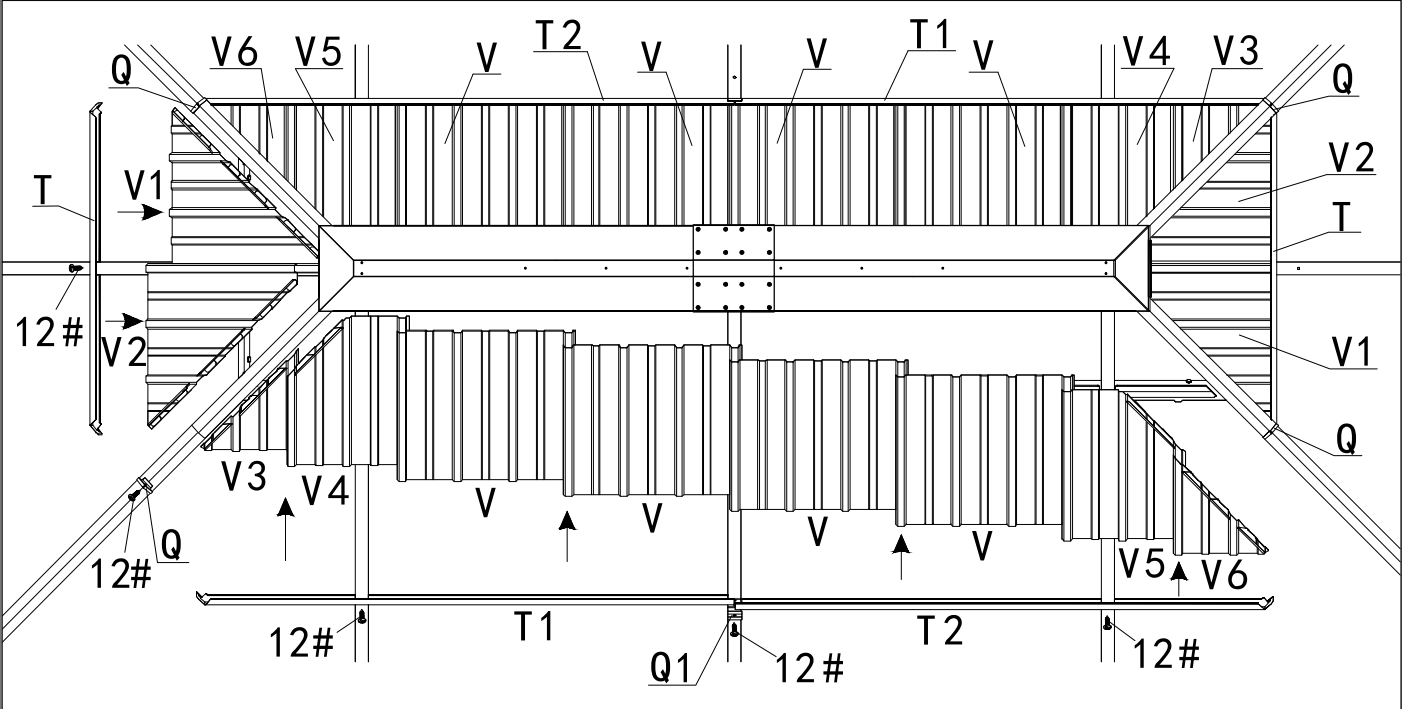
Remove the protective film of the panels before installing the roof panels. Please install Plastic Clips in strict accordance with the instructions.



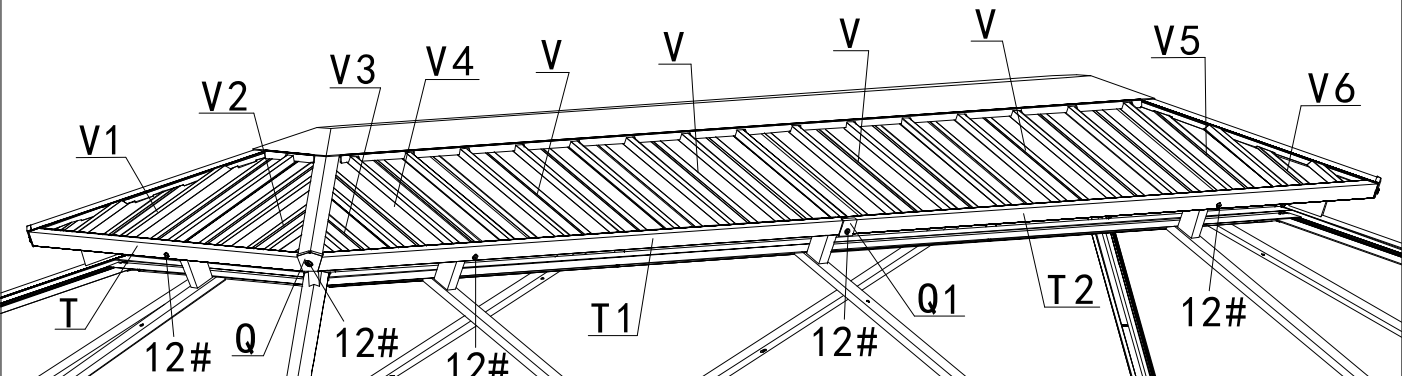
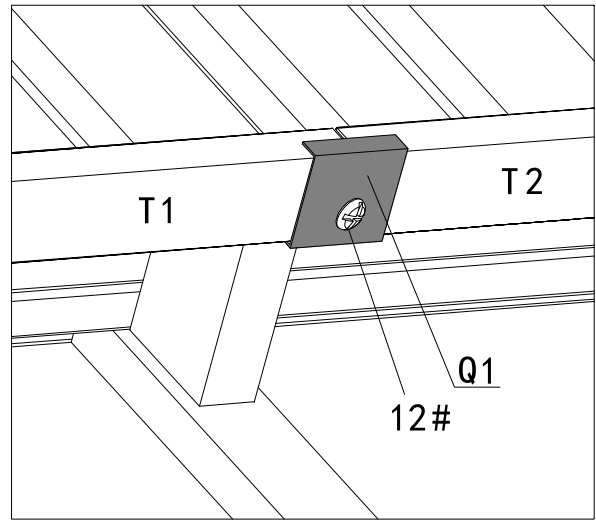
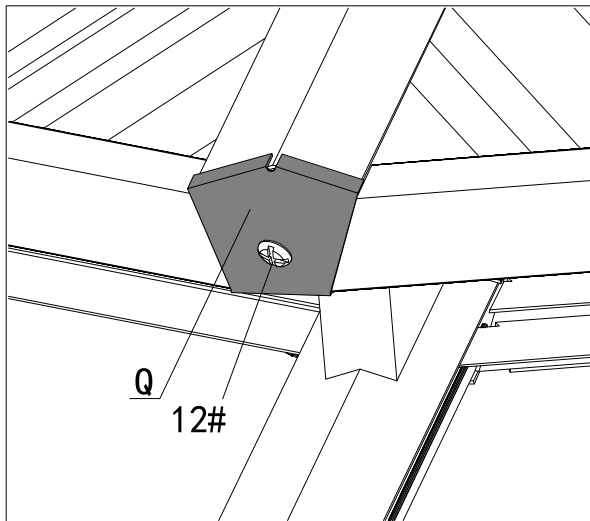
Attach Part #Z, #Z1, #Z2, #Z3&#Z4 by lightly tapping with screwdriver.

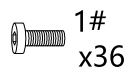
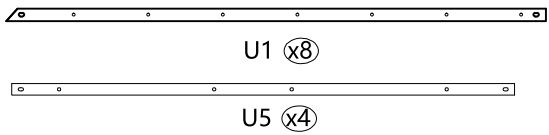


SMALL ROOF PANEL AND FINISHING BAR ASSEMBLY:

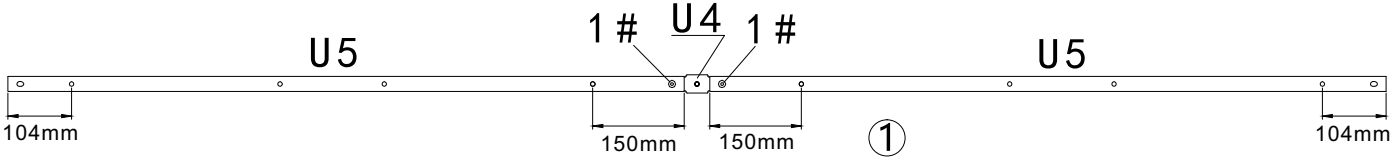


If you can't install #V, push the Outside Roof Cover up and try to insert them again.

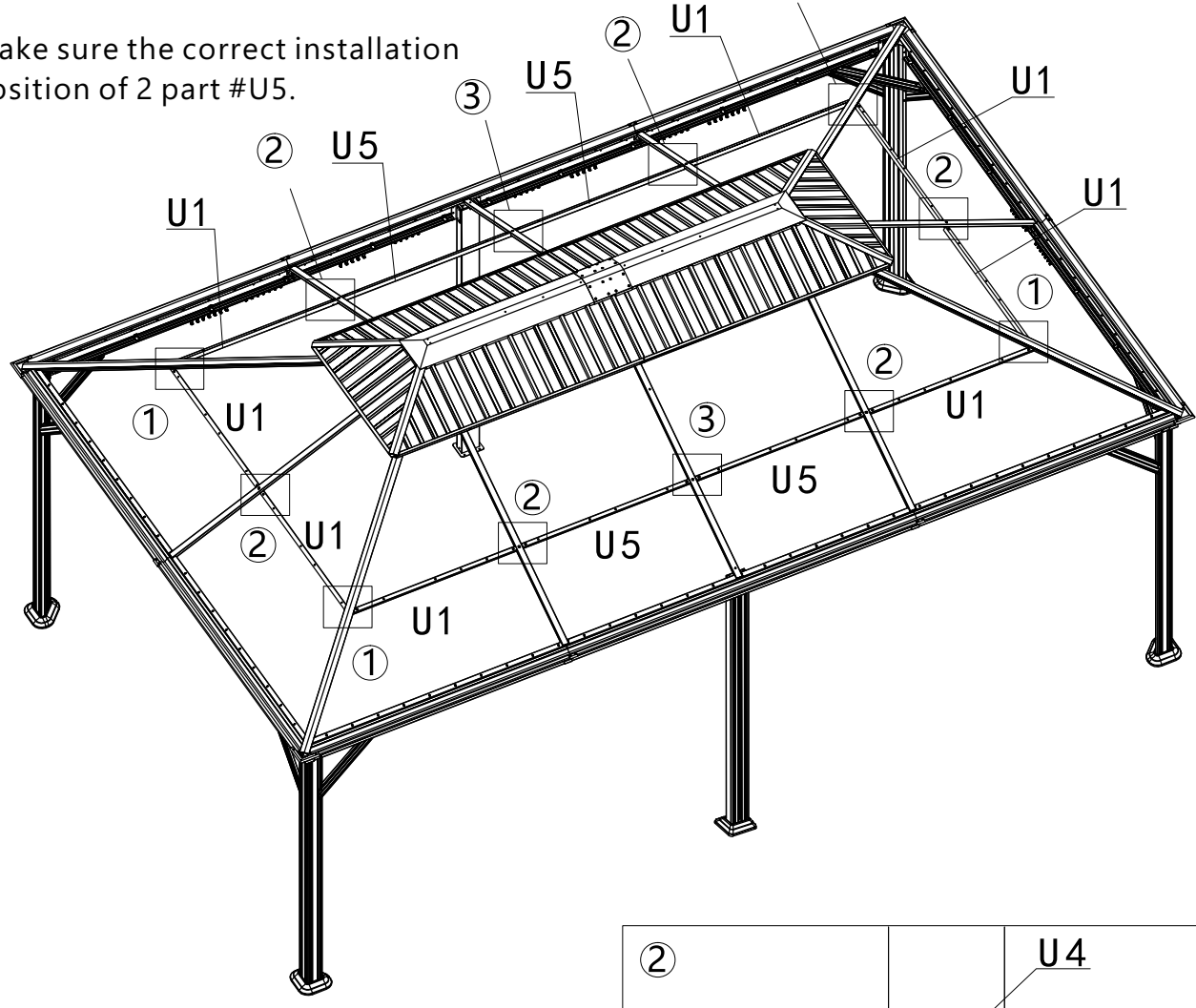




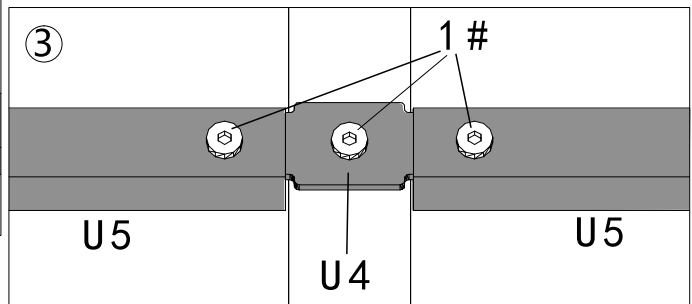
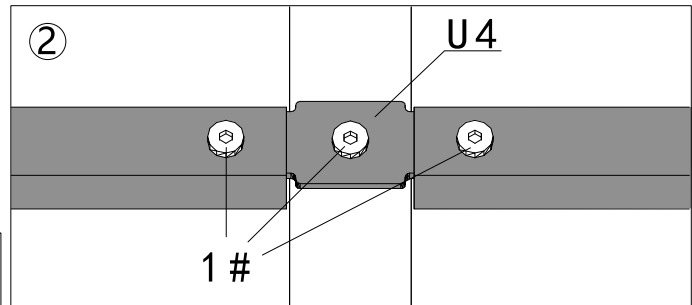
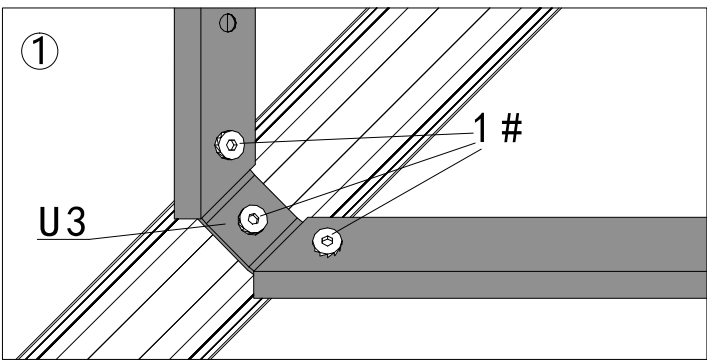
SOLIDIFYING BAR ASSEMBLY:

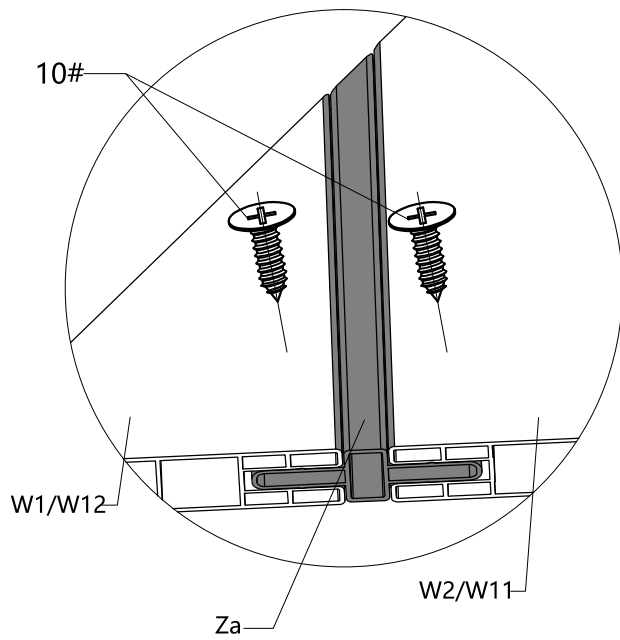
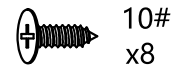
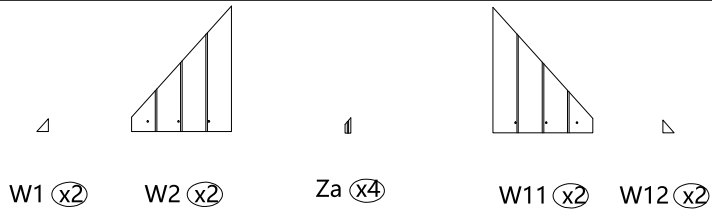


Make sure the correct installation position of 2 part #U5.

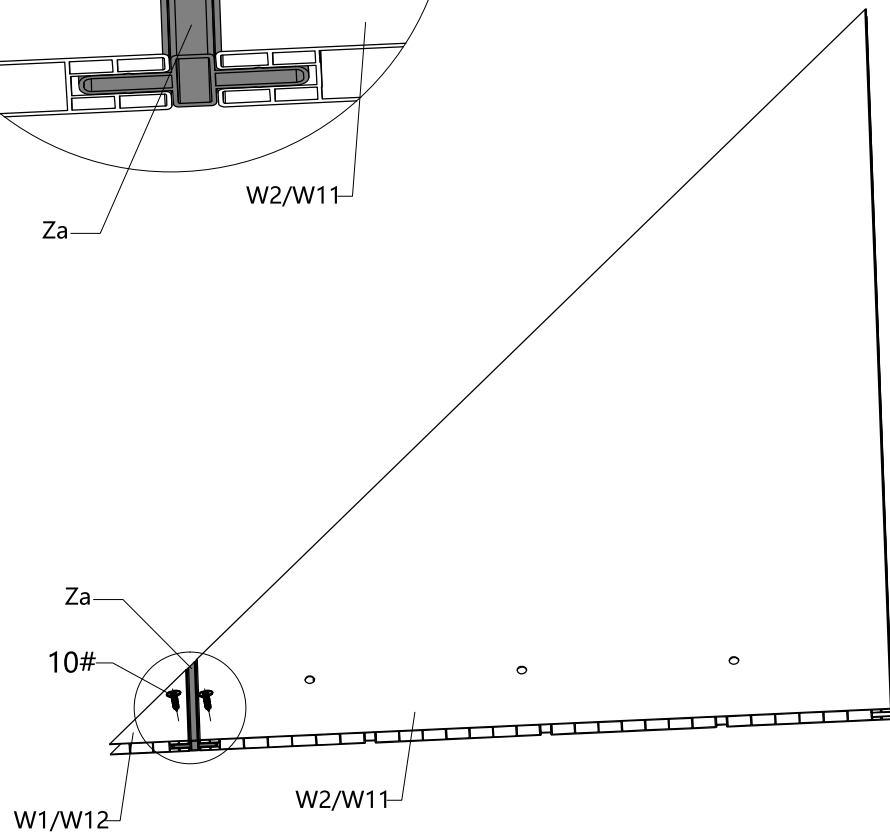


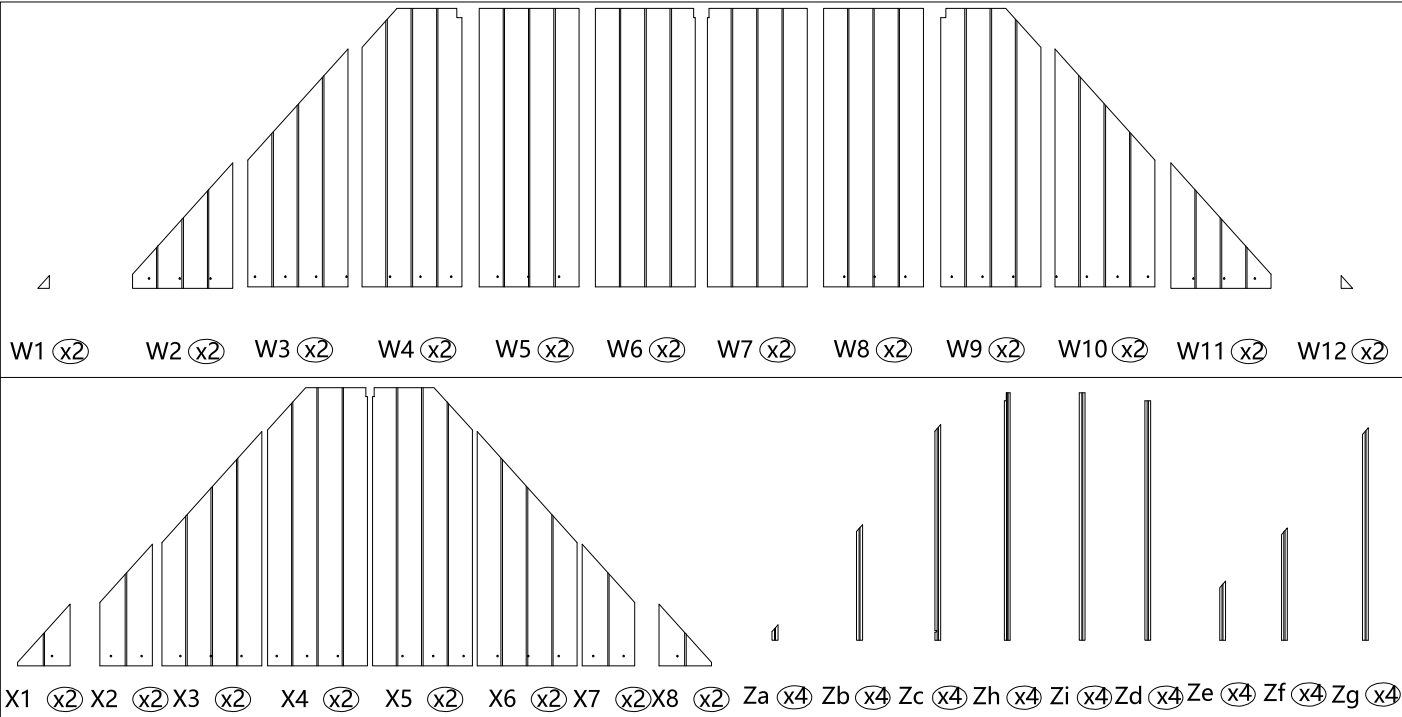
Inside View



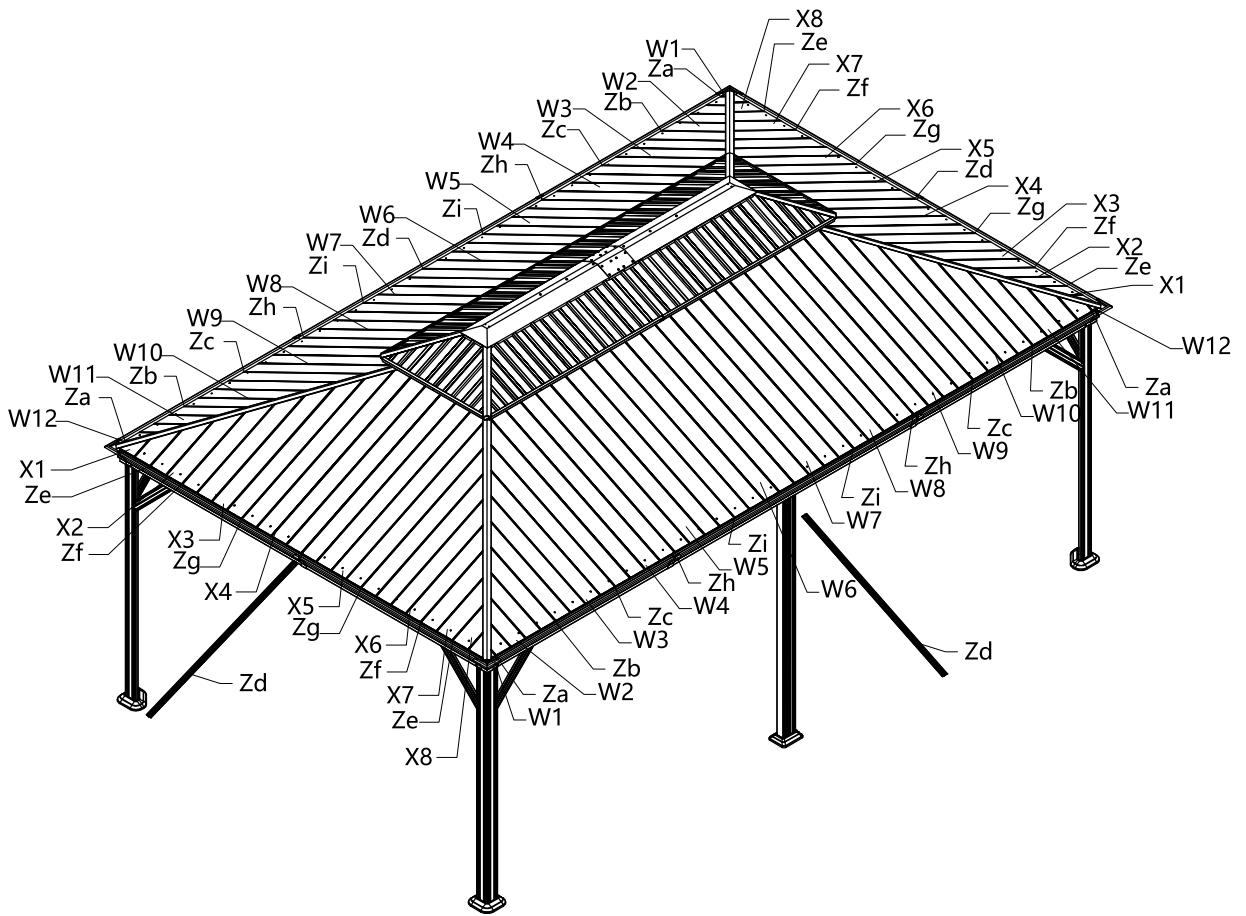


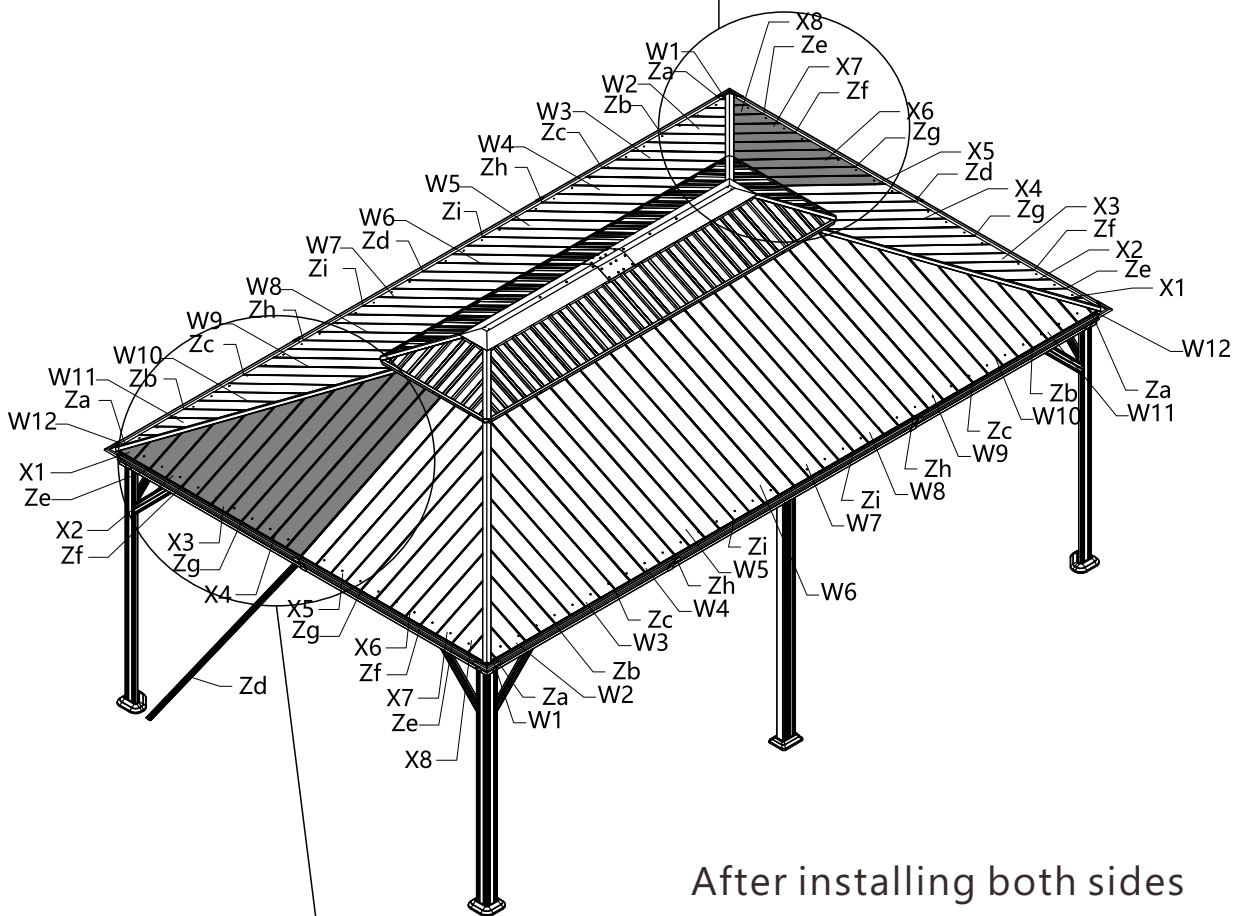
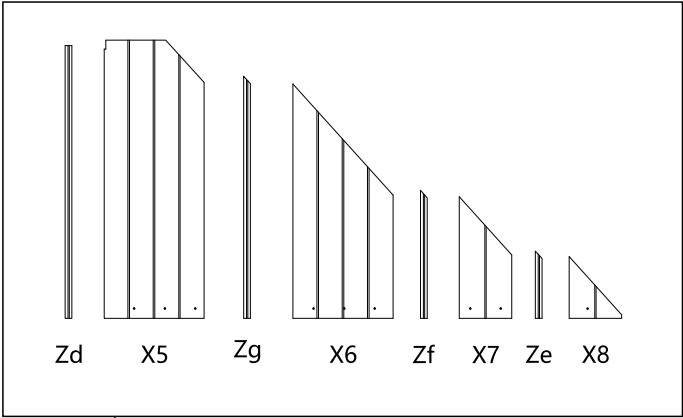
no strips inside



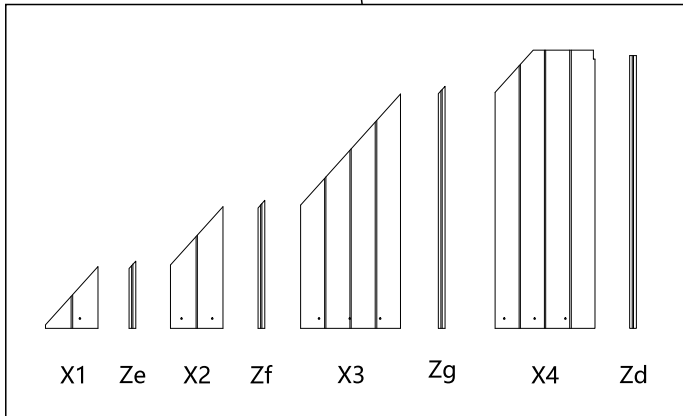


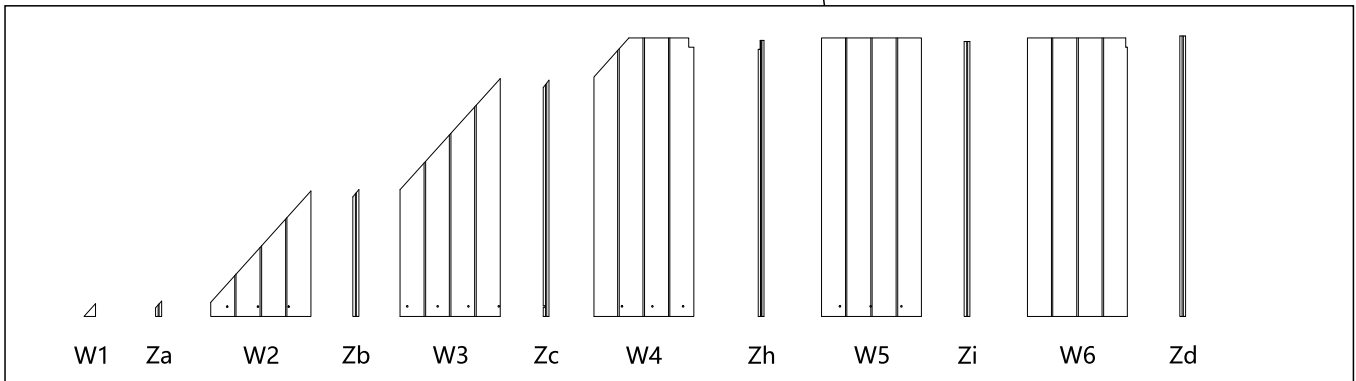
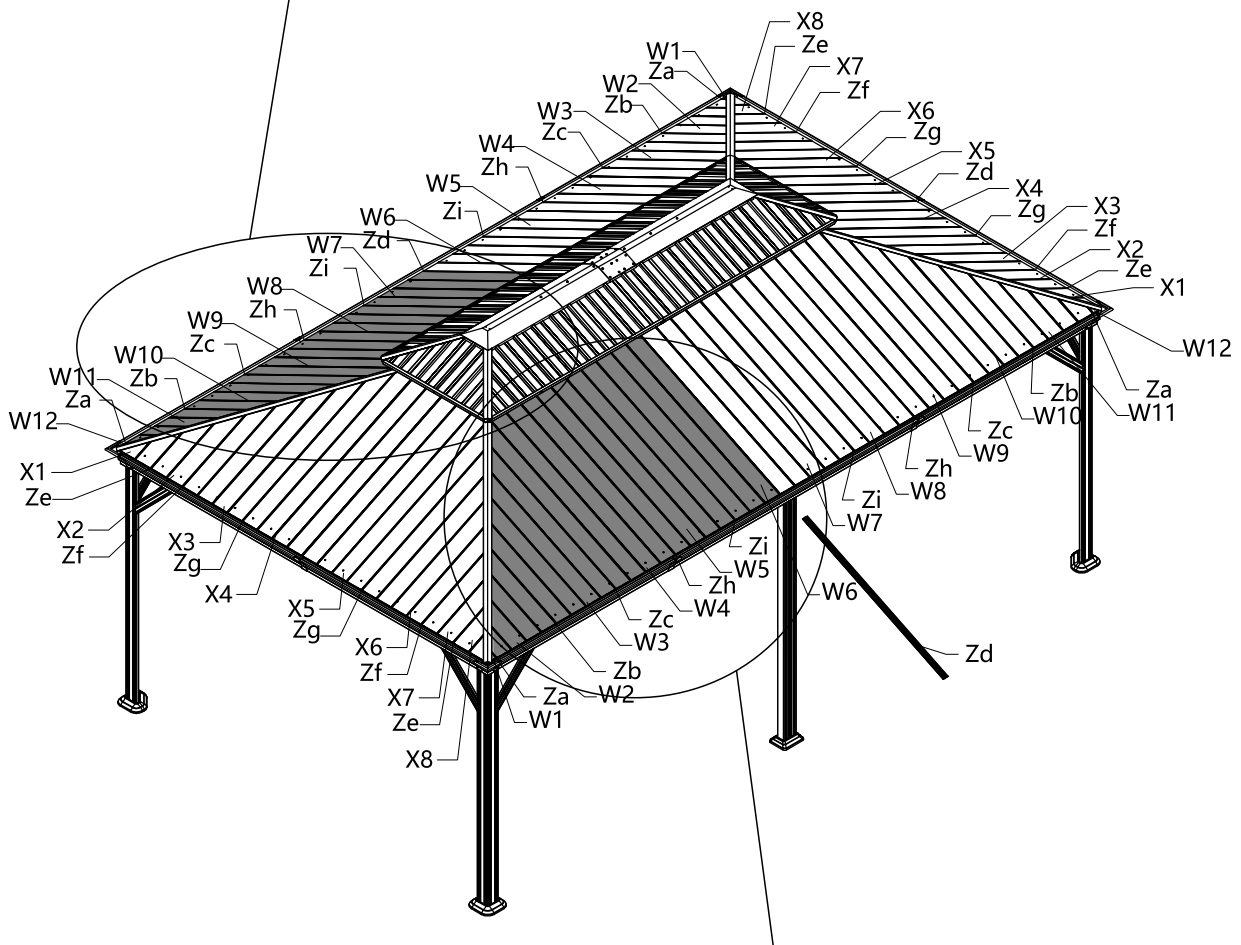
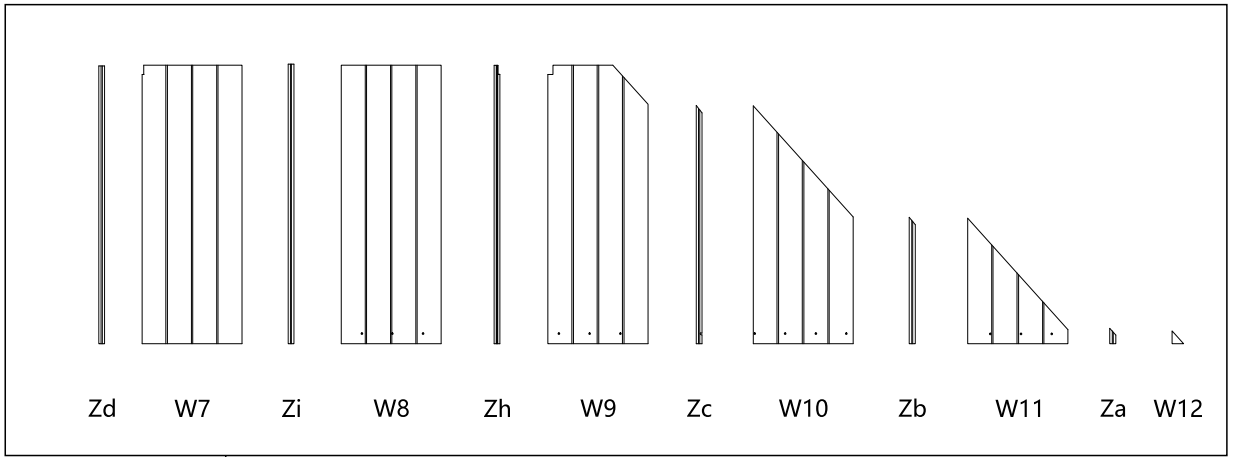
RESIN ROOF ASSEMBLY:



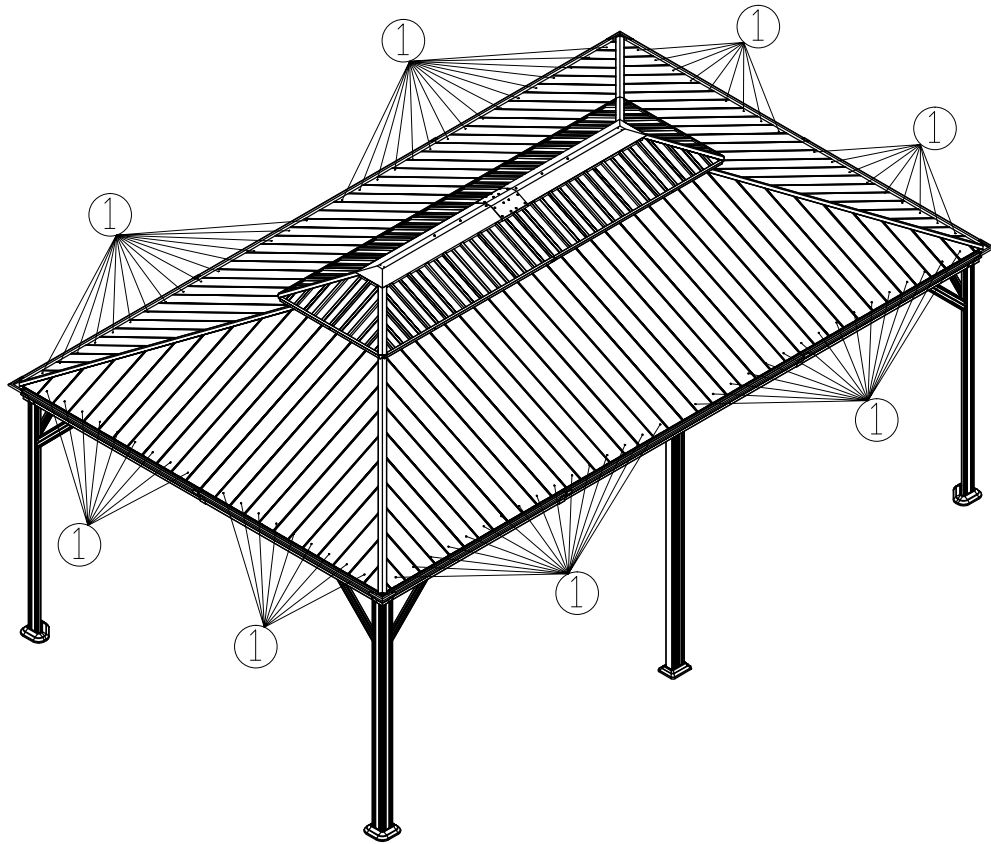
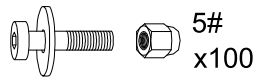


After installing both sides simultaneously, #Zd will be inserted last.
 Repeat the above procedures to assemble the opposite side.

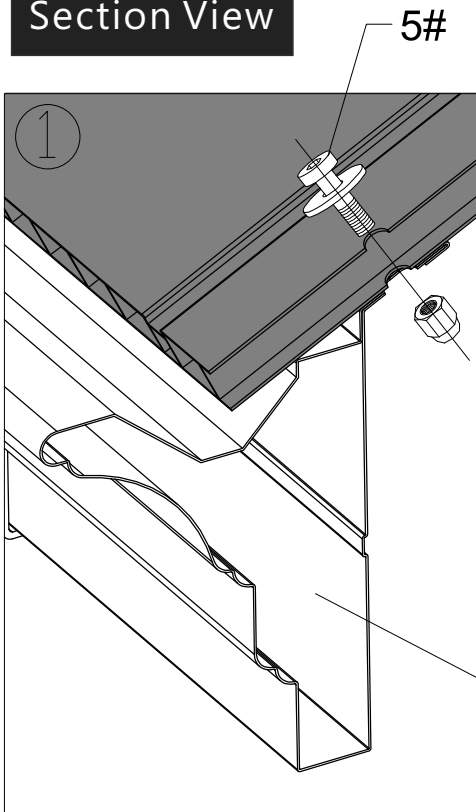




After installing both sides simultaneously, #Zd will be inserted last.
 Repeat the above procedures to assemble the opposite side.

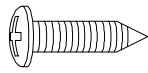


Section View

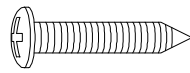


①: Use bolts #5 to secure the roof panel to the beam.

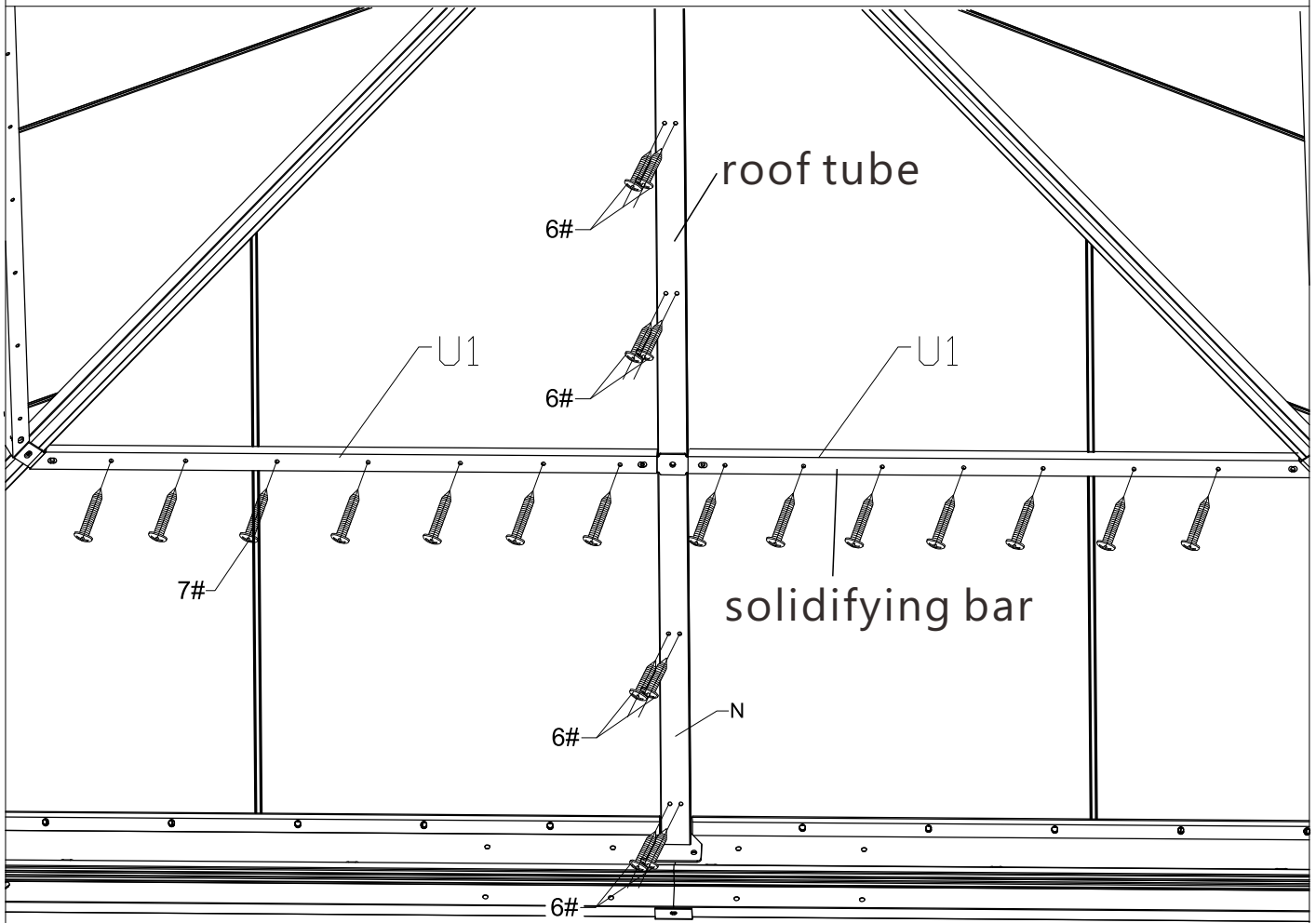
C/C1/C2/C3/C4



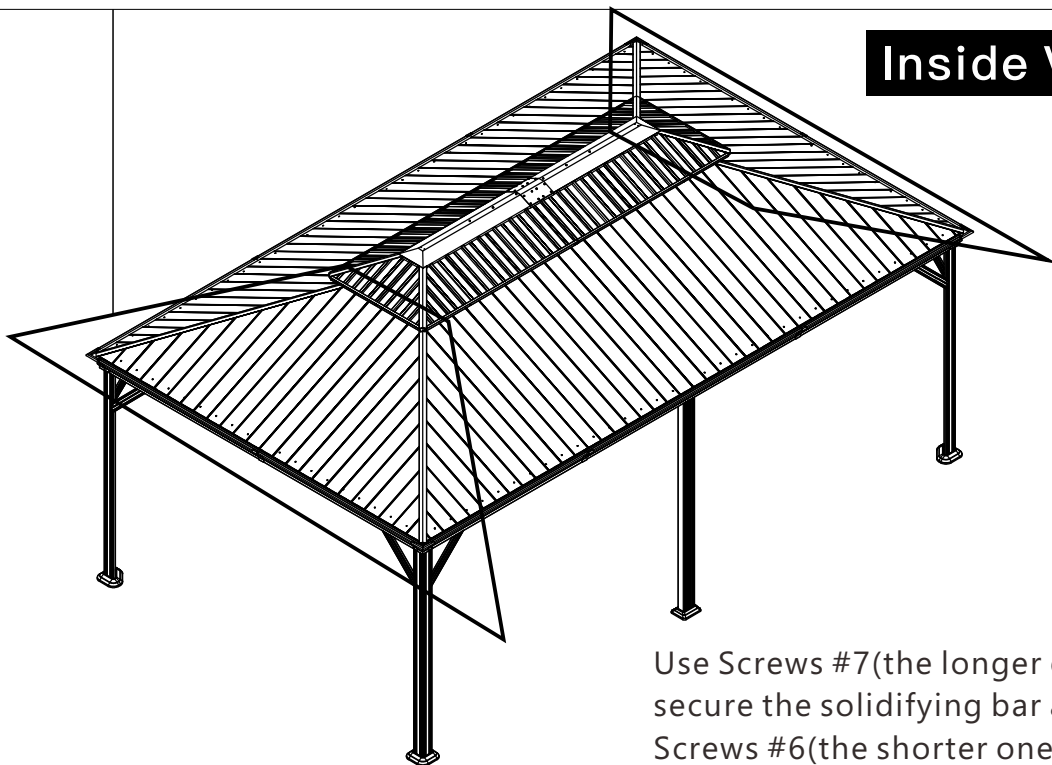
6# x16



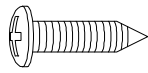
7# x28



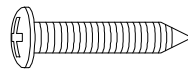
Inside View



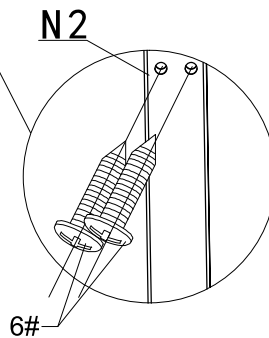
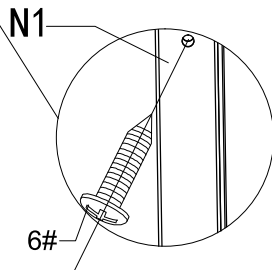
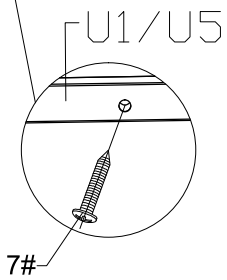
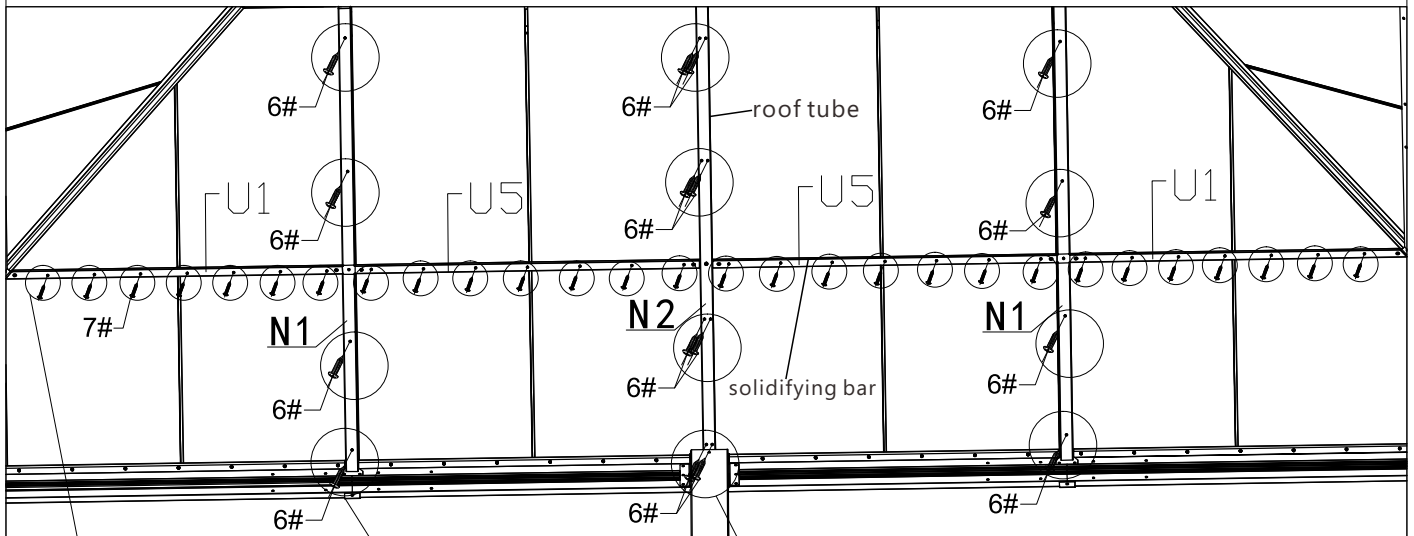
Use Screws #7 (the longer one) to secure the solidifying bar and Screws #6 (the shorter one) to secure roof tube to the roof panels.



6# x32

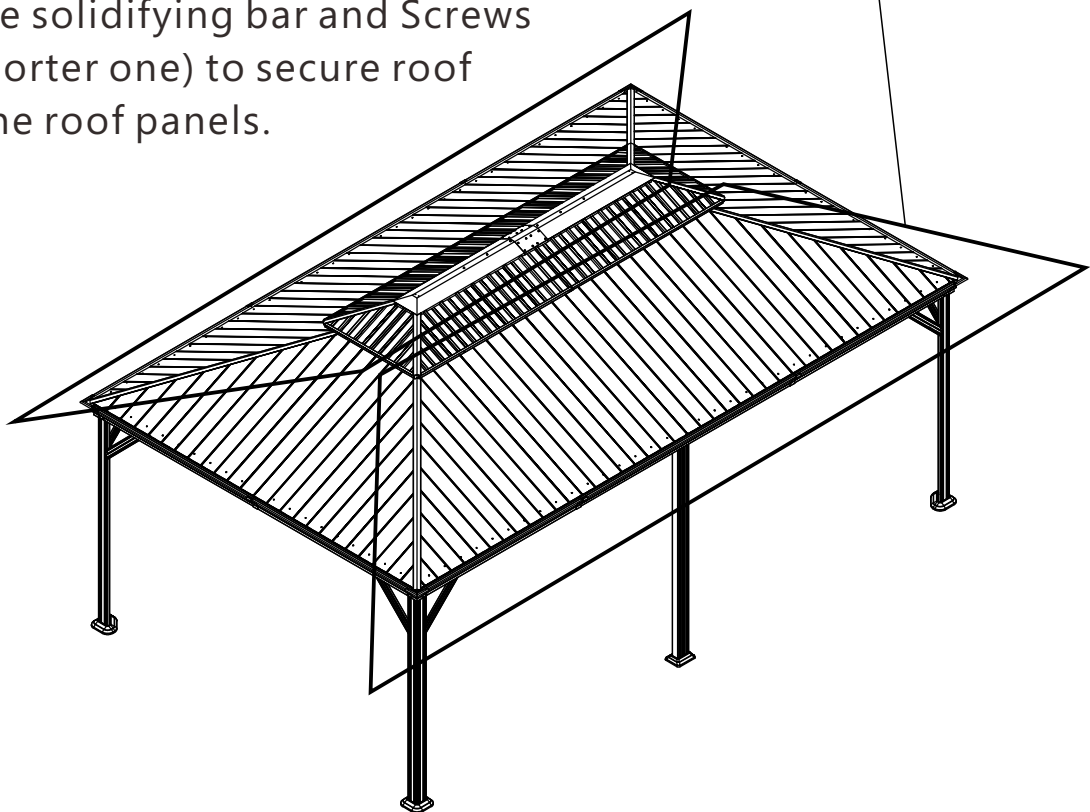


7# x56



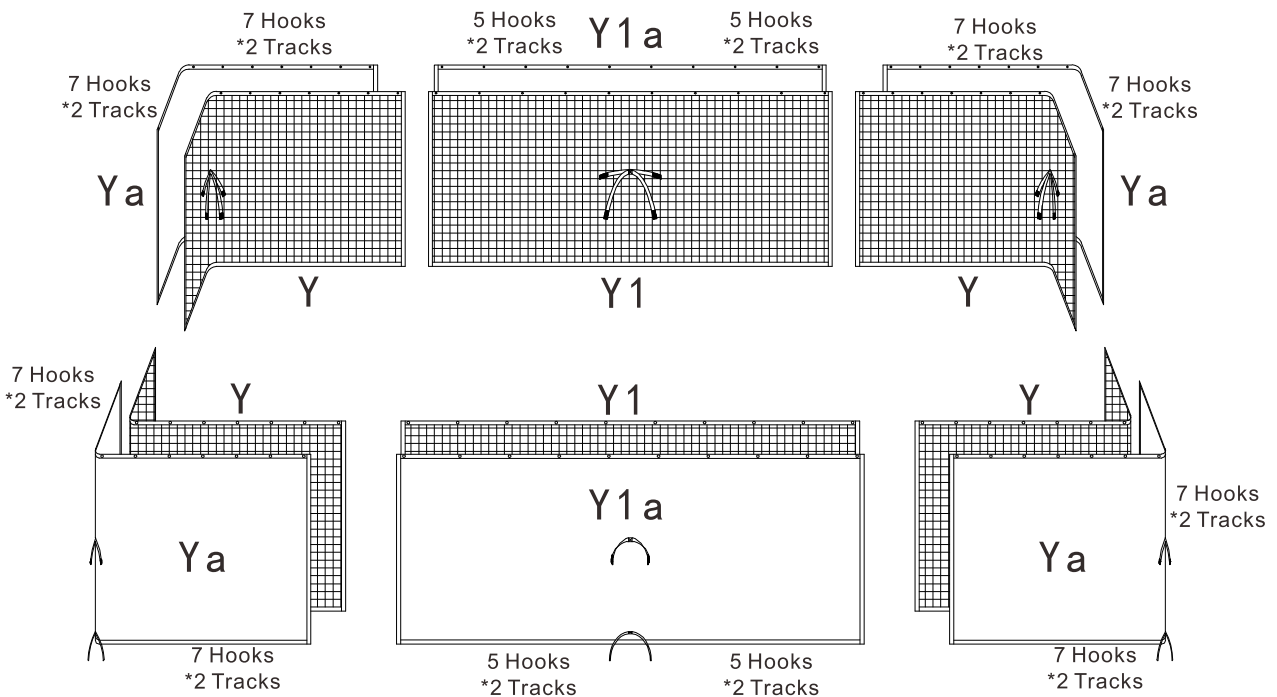
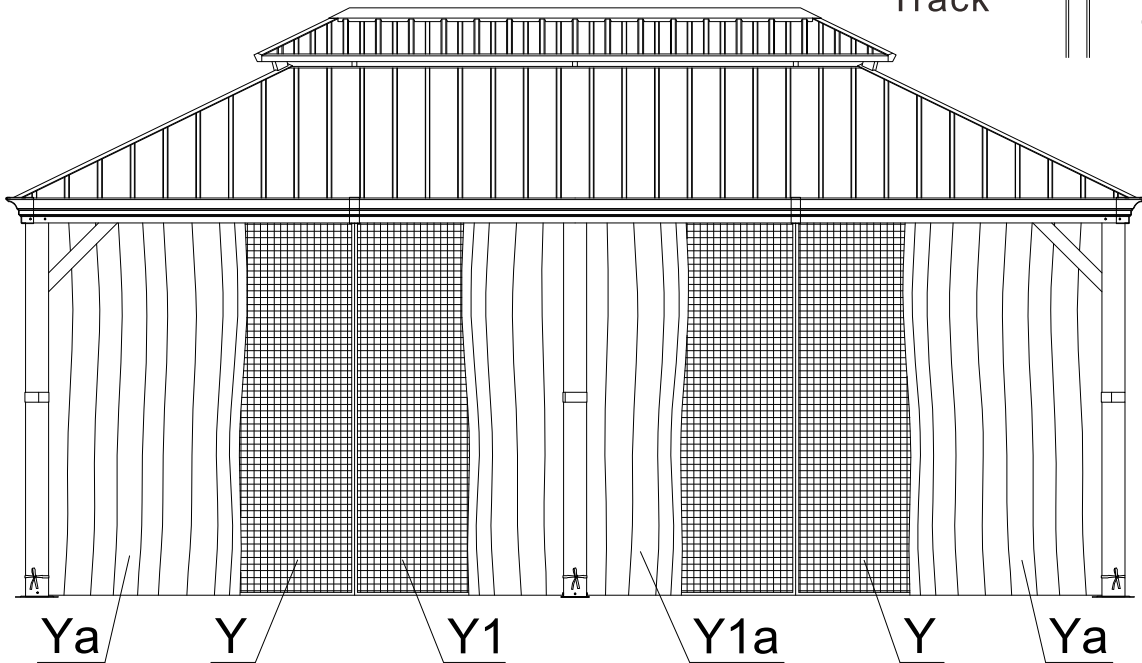
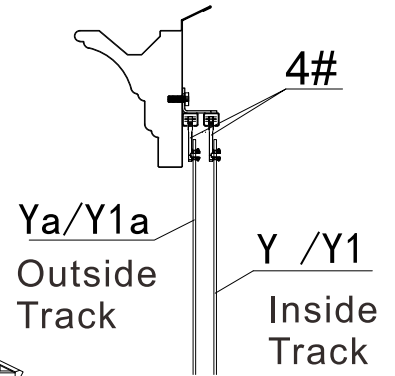
Inside View

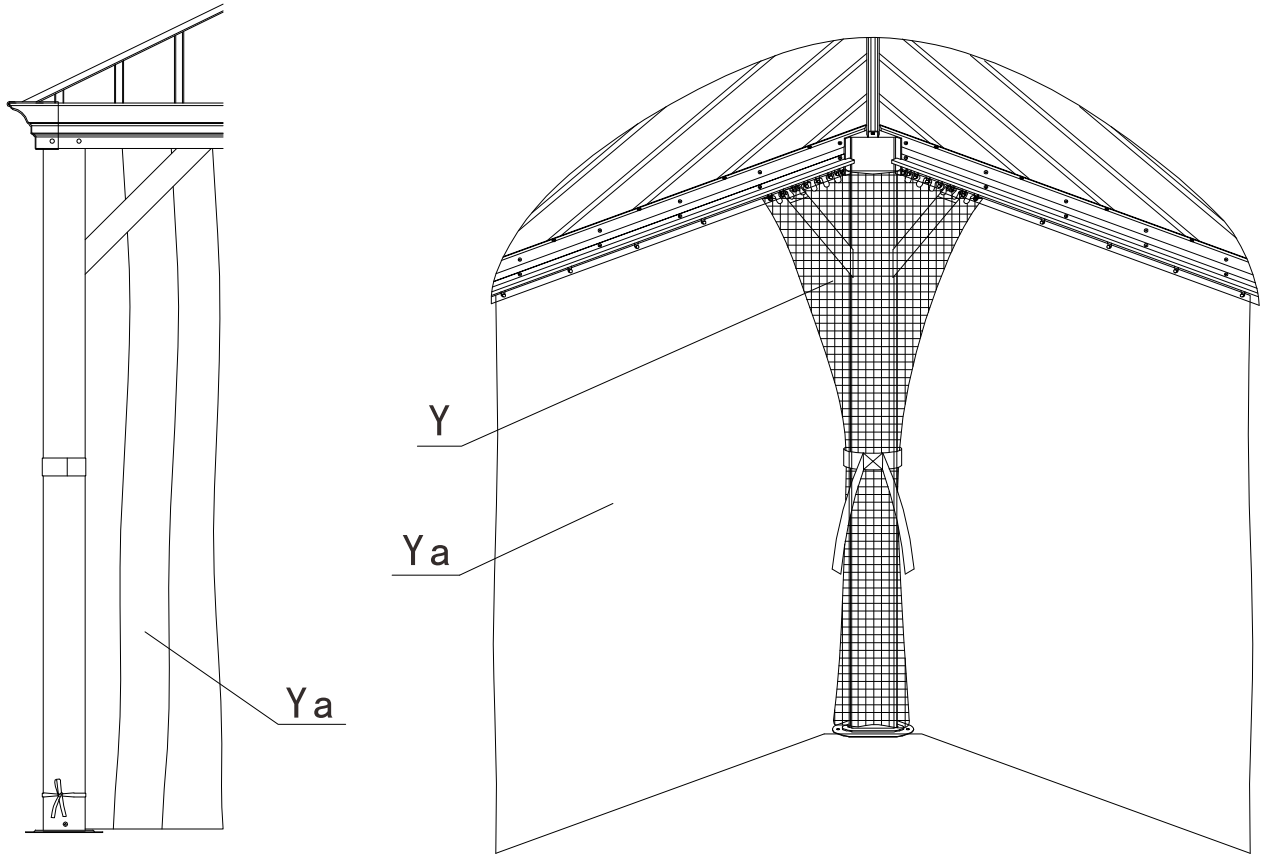
Use Screws #7 (the longer one) to secure the solidifying bar and Screws #6 (the shorter one) to secure roof tube to the roof panels.



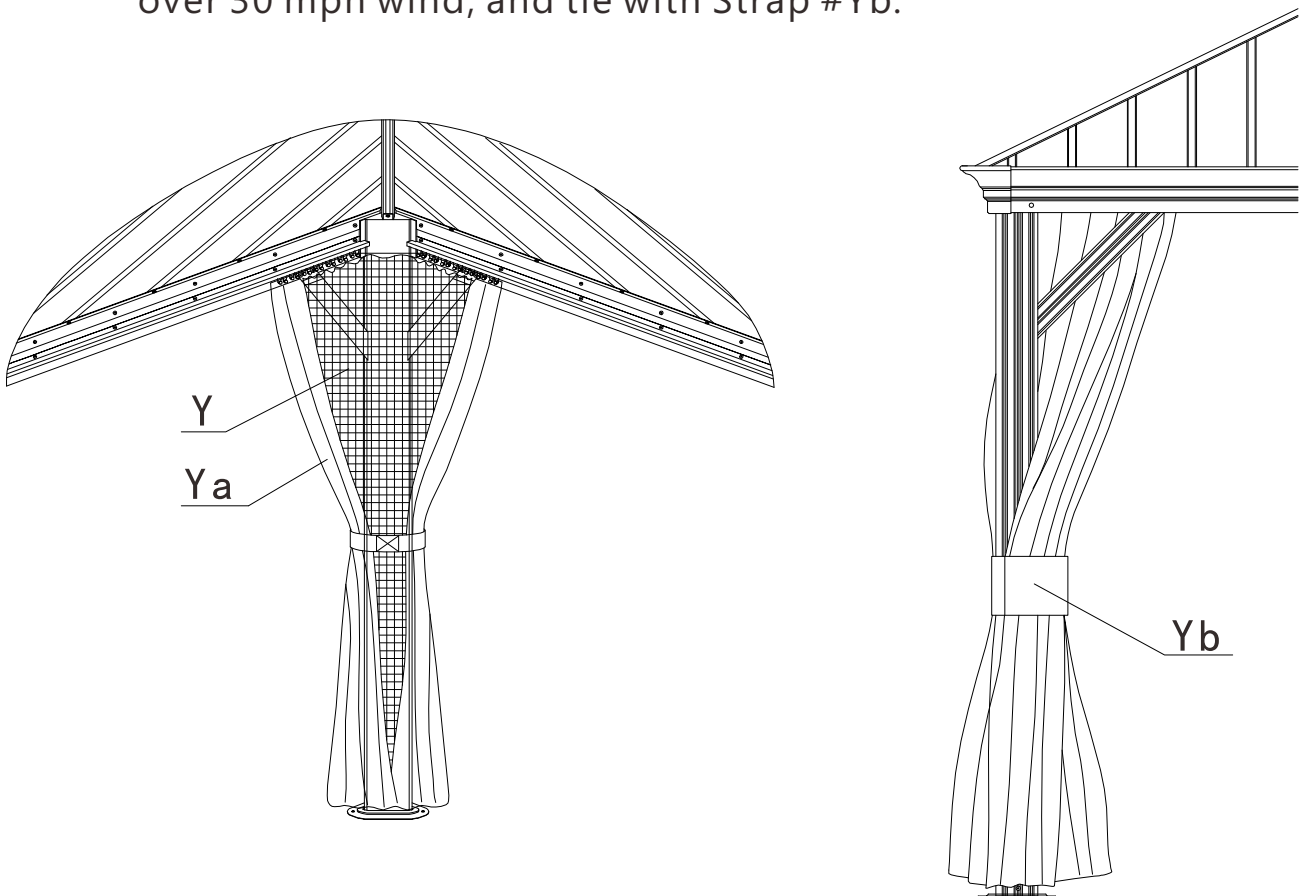


MOSQUITO NETTING AND CURTAINS ASSEMBLY:





Please open your gazebo curtain when it is incoming over 30 mph wind, and tie with Strap #Yb.





Thanks for your purchase.

At domi outdoor living, we believe in our products.

That's why we provide a 12-month warranty and friendly, easy-to-reach after-sales service. So, if you have any questions about our product or assembly, please feel free to contact us. We are here for you.

Support:  

After-sales contact email:

service@domioutdoorliving.com

Business cooperation contact email:

marketing@domioutdoorliving.com

Please have your order ID available if you reach out for support.

If you have damaged parts or product, please send us photos for an immediate response.