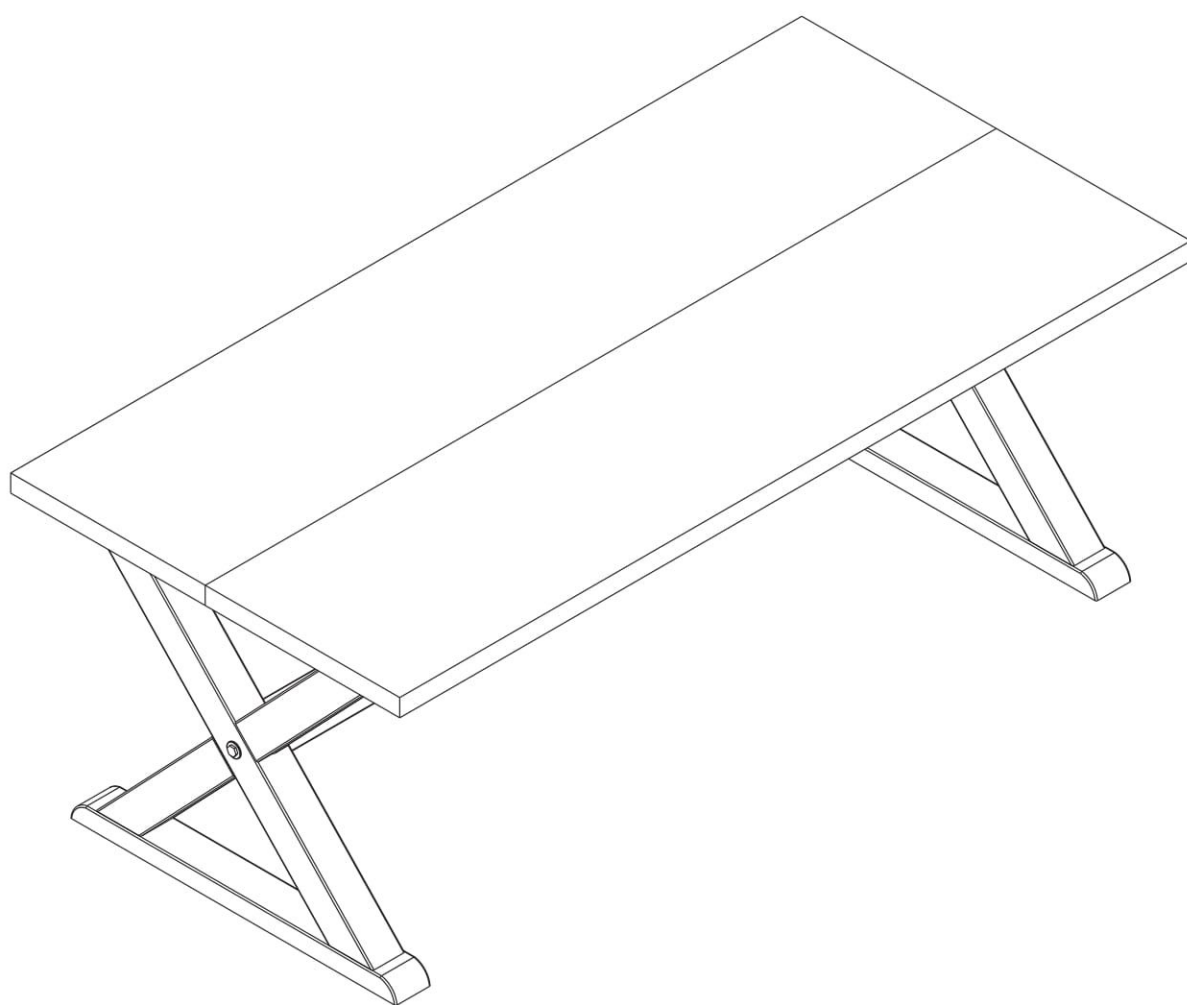
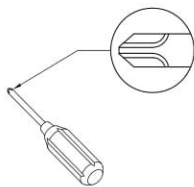


Assembly Instruction

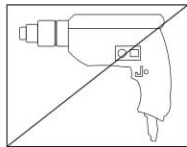


General Assembly Guidelines

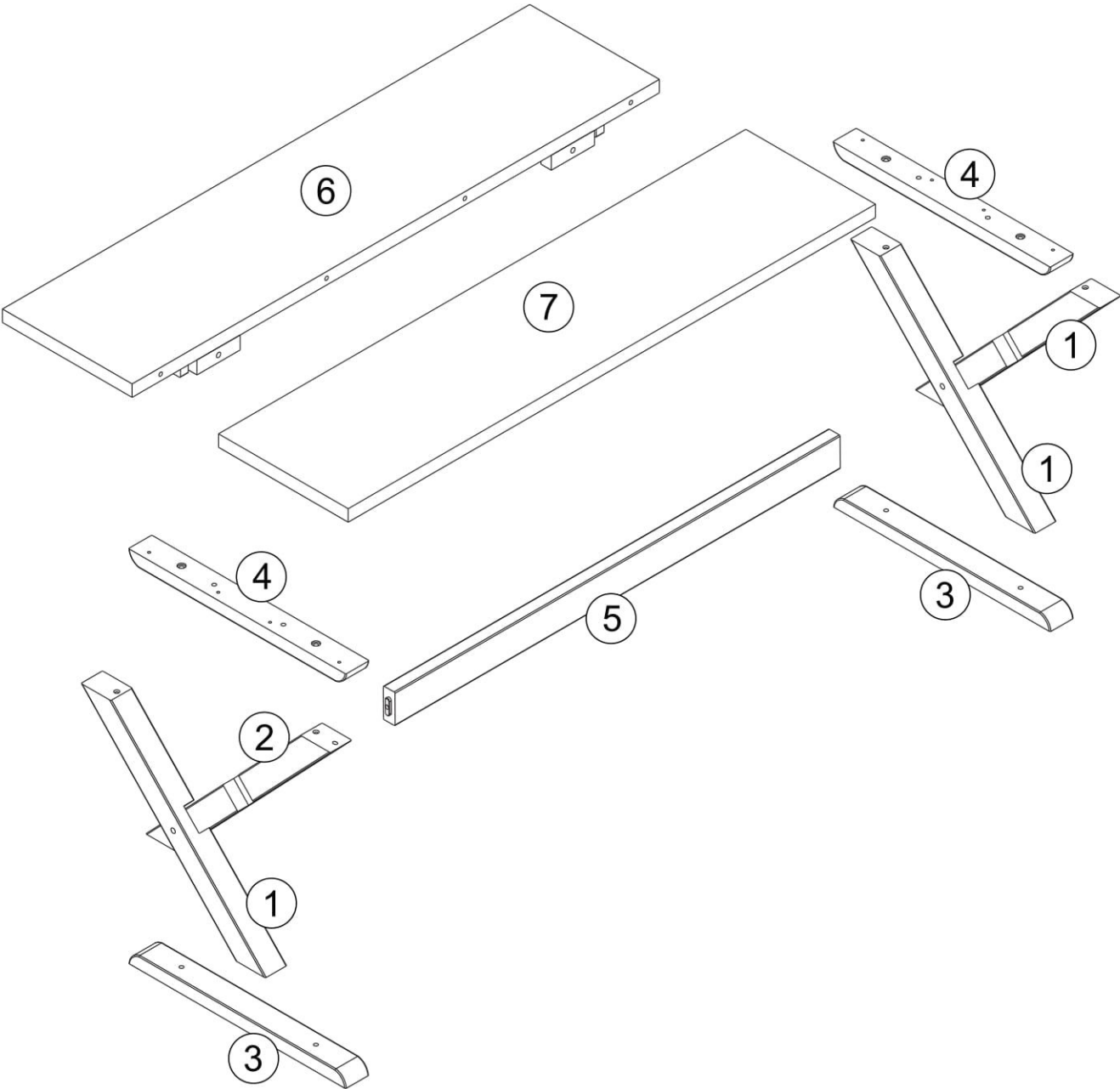
- I. Ensure that all parts and hardware are available before beginning assembly.
- II. Follow each step carefully to ensure the proper assembly of this product.
- III. Two people are recommended for ease in the assembly of this product.
- IV. The three main types of hardware used to assemble this product are : wood dowels , screws and bolts.
- V. A Phillips head screwdriver is required for the assembly of this product .



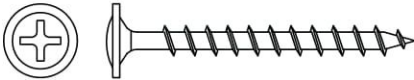

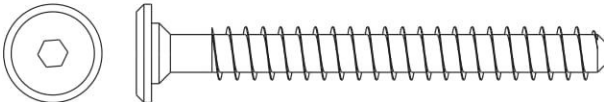
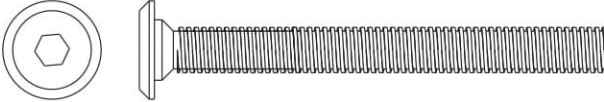
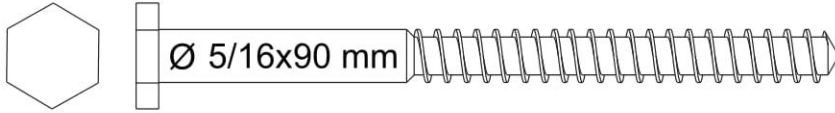
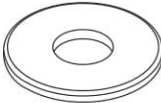

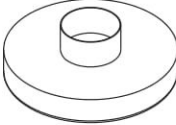
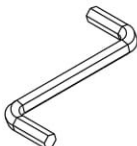
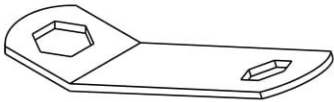
- VI. Power tools should not be used to assemble this product .

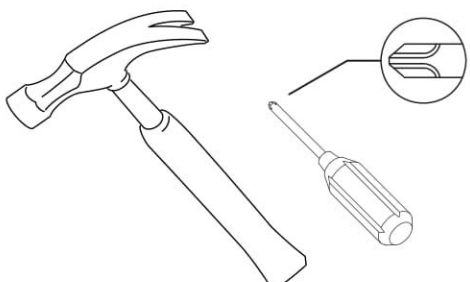


Parts List



Hardware List

A		Ø 4,0x40 mm Screw	08 pcs
B		Ø 8,0x30 mm Wood dowel	08 pcs
C		Ø 7,0x60 mm Bolt	08 pcs
D		Ø 1/4"x60 mm Bolt	02 pcs
E		Ø 5/16x90 mm Bolt	02 pcs
F		Washer black	04 pcs
G		Screw nut	02 pcs
H		Plastic foot	04 pcs
I		Hex key 01 pc	
J		key 01 pc	



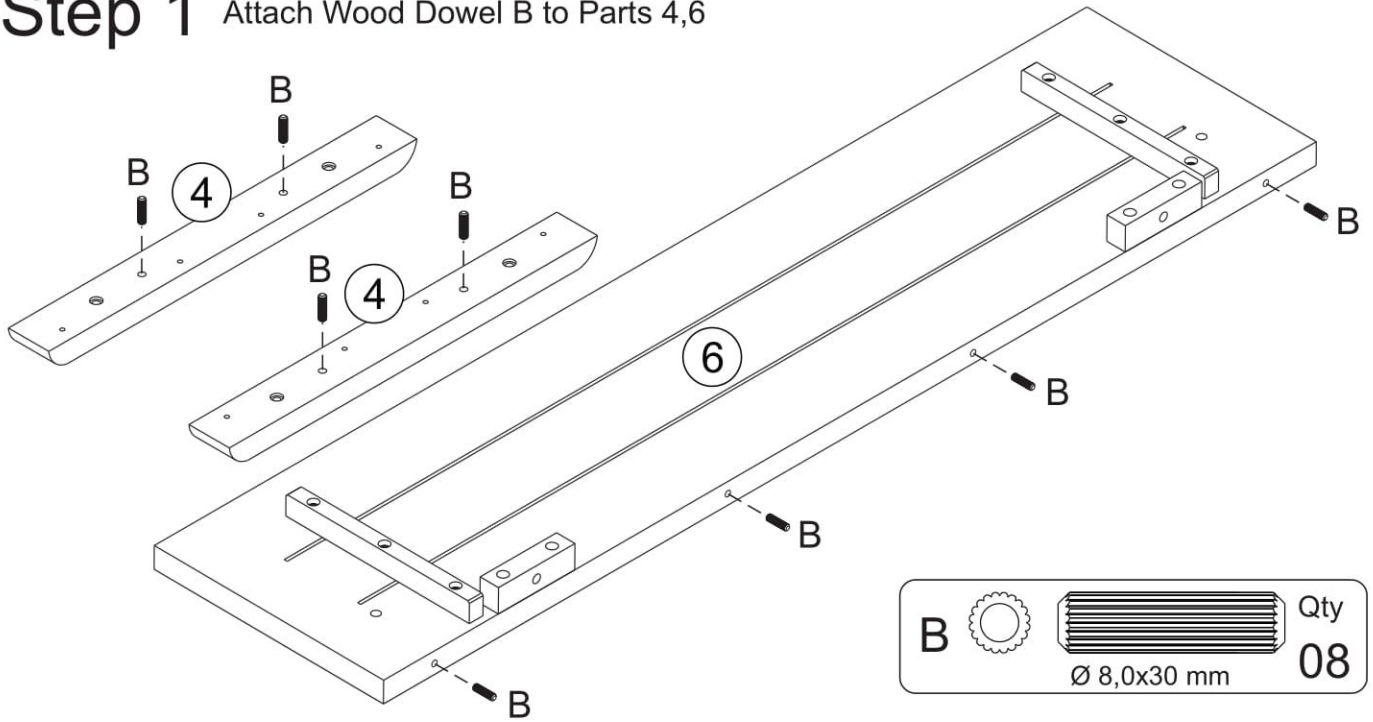
Philips head screwdriver required for assembly
(not included)

Mallet or hammer recommended for assembly
(not included)

*The hardware quantities listed above are required for proper assembly.
Some extra hardware may also have been included.*

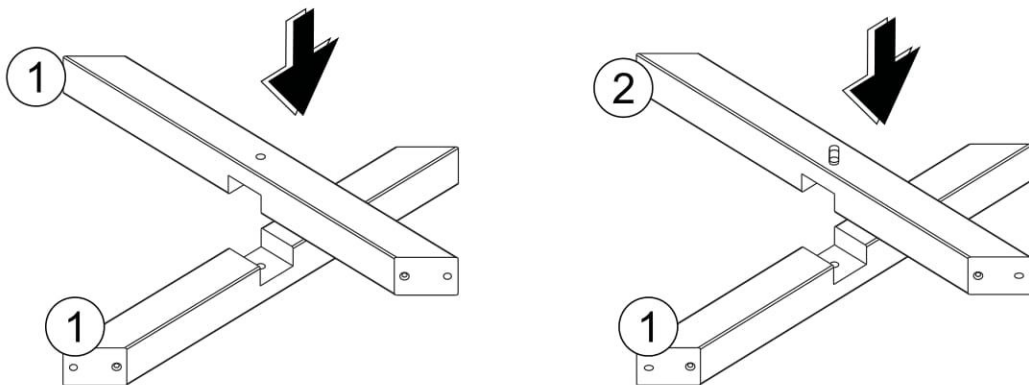
Step 1

Attach Wood Dowel B to Parts 4,6



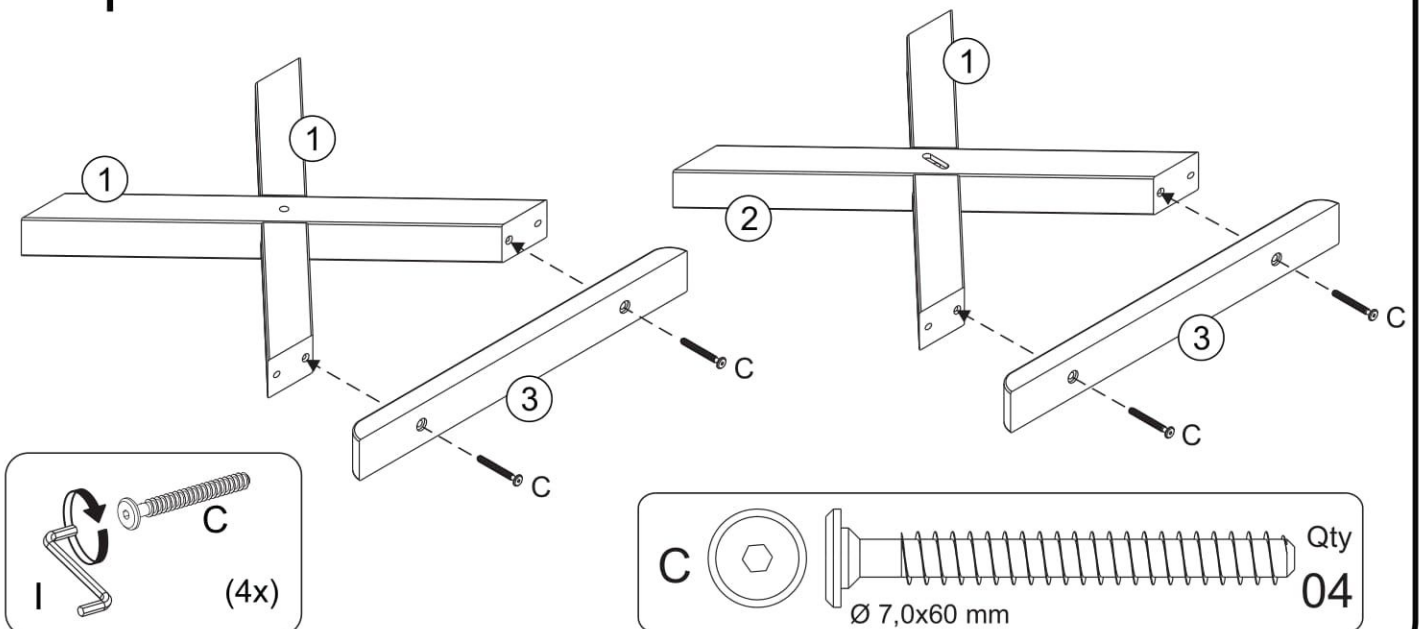
Step 2

Connect Parts 1 and 1, 1 and 2

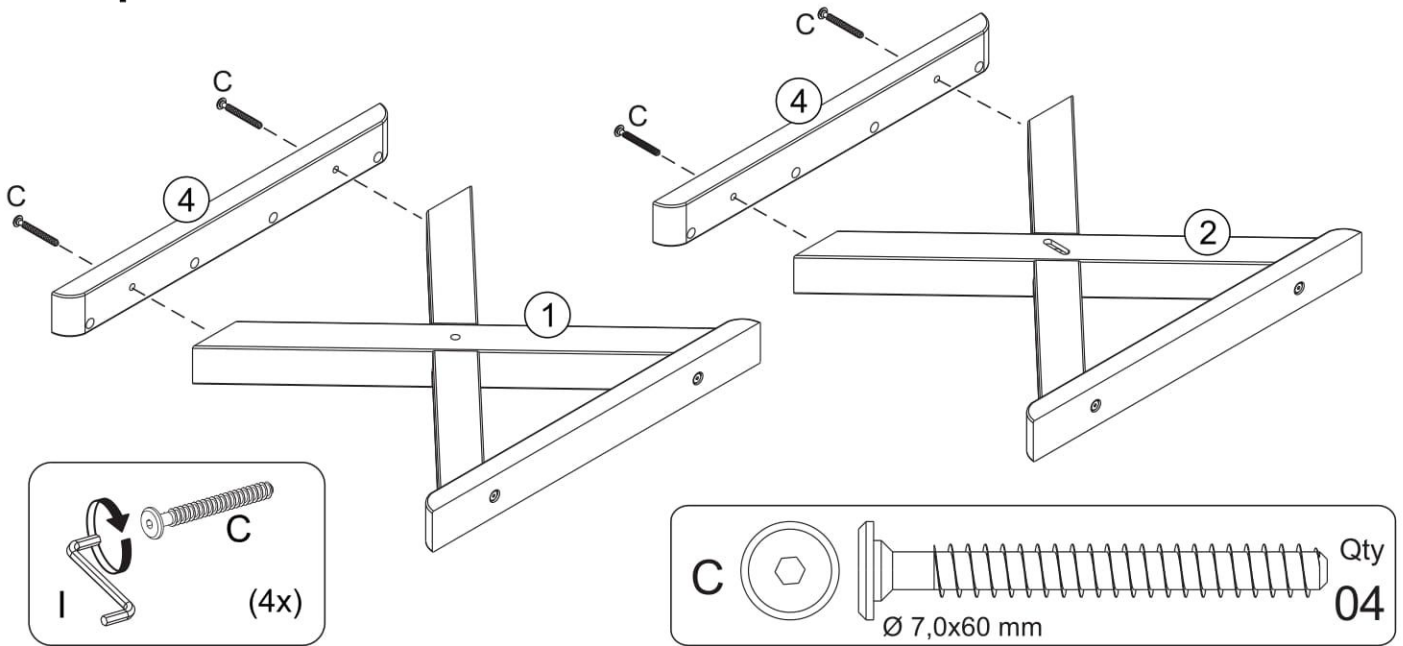


Step 3

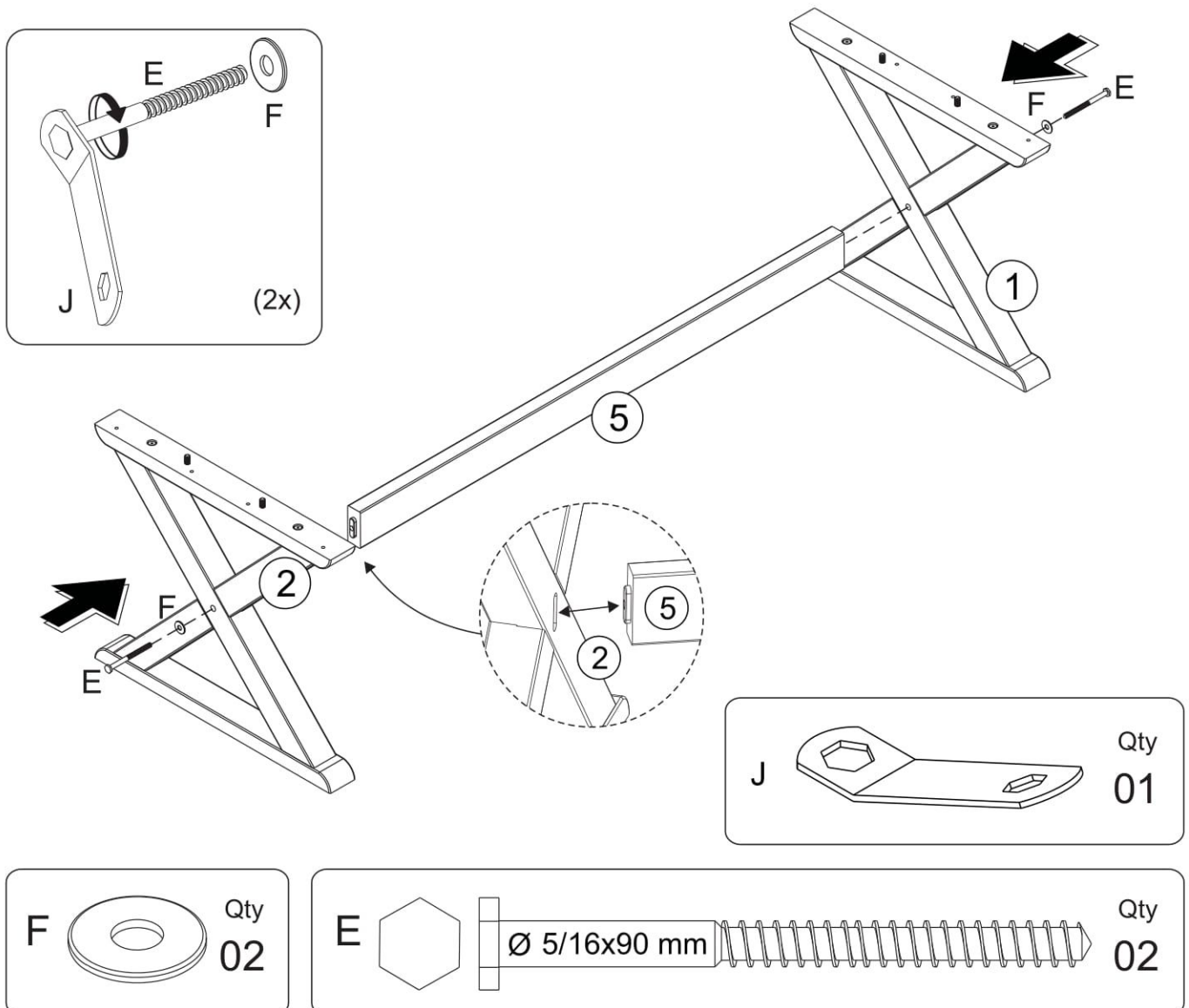
Attach part 1,2 to part 3 using Bolt C



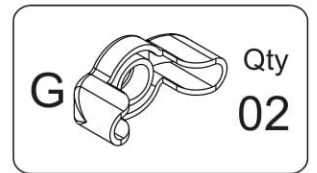
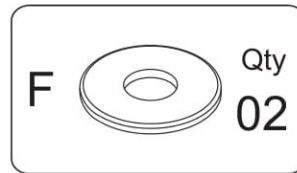
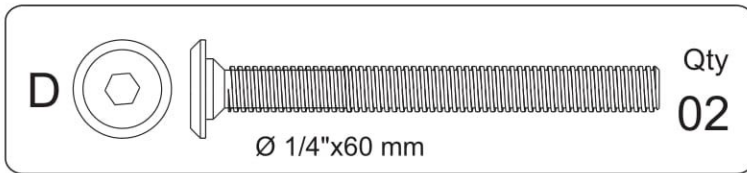
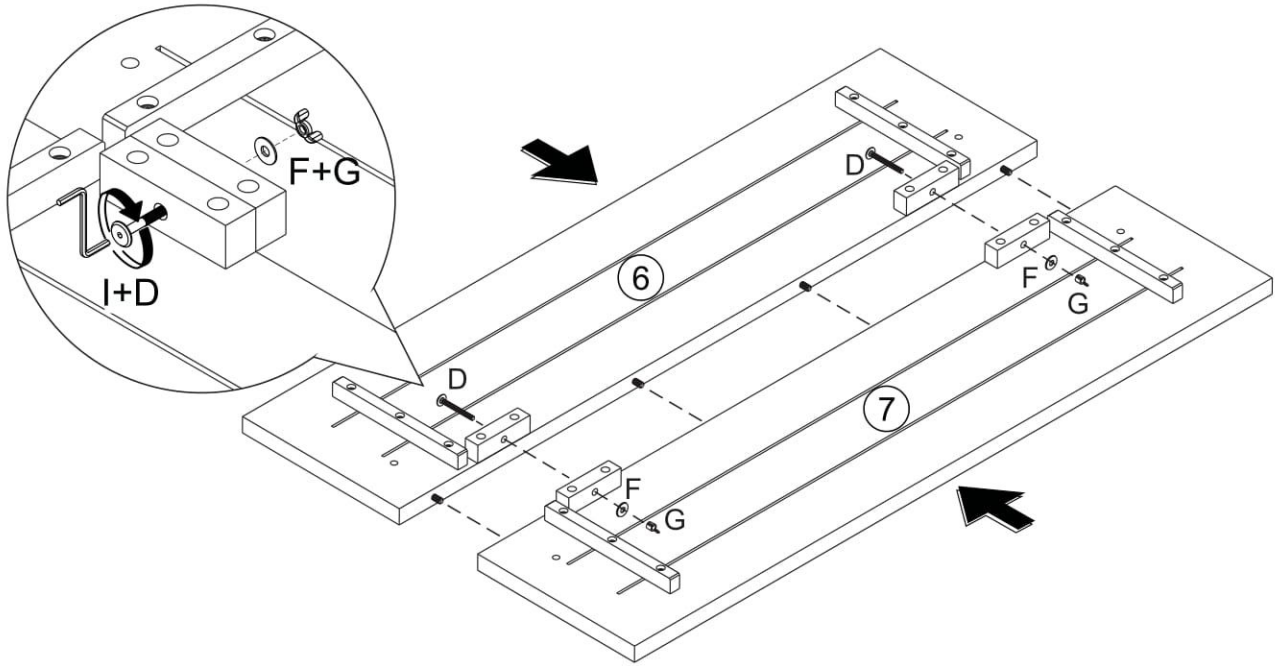
Step 4 Attach Part 1,2 to part 4 using Bolt C



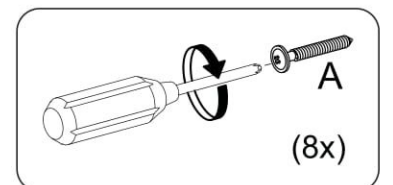
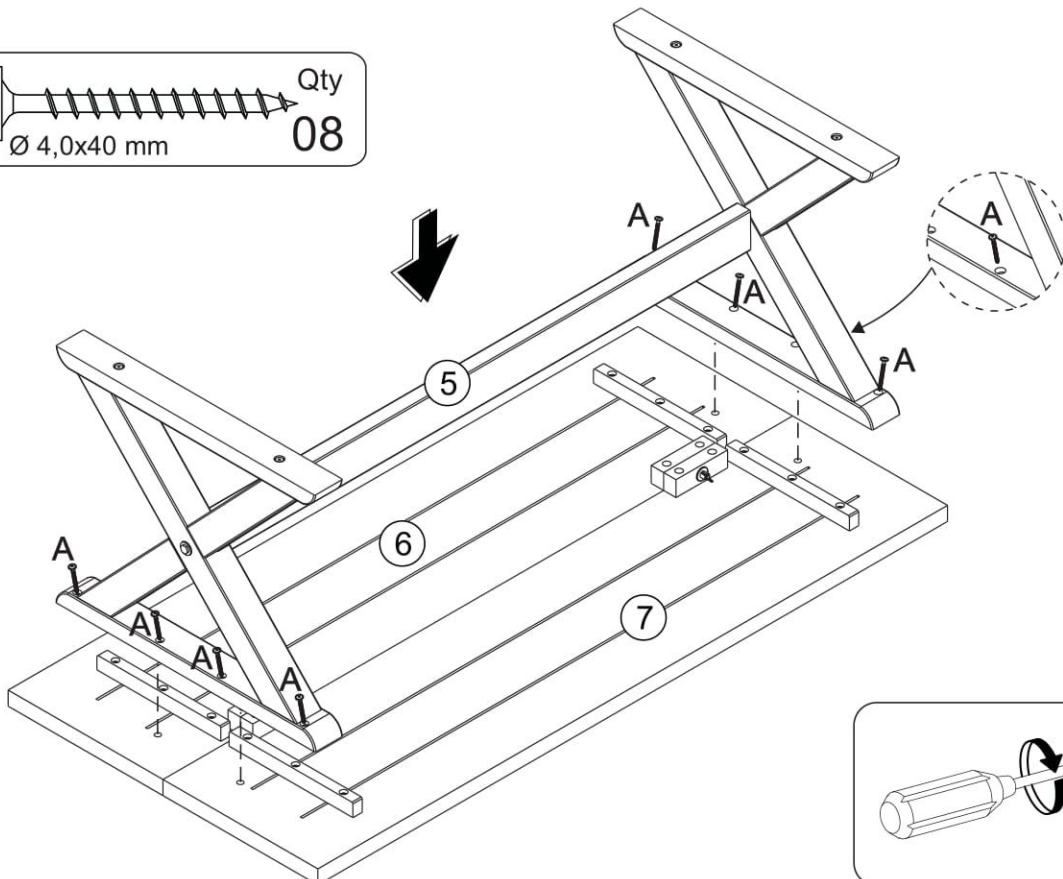
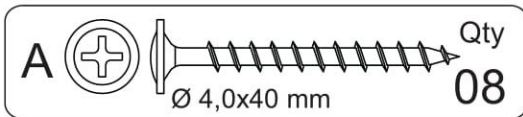
Step 5 Attach legs to part 5 using Bolt E and Washer F.



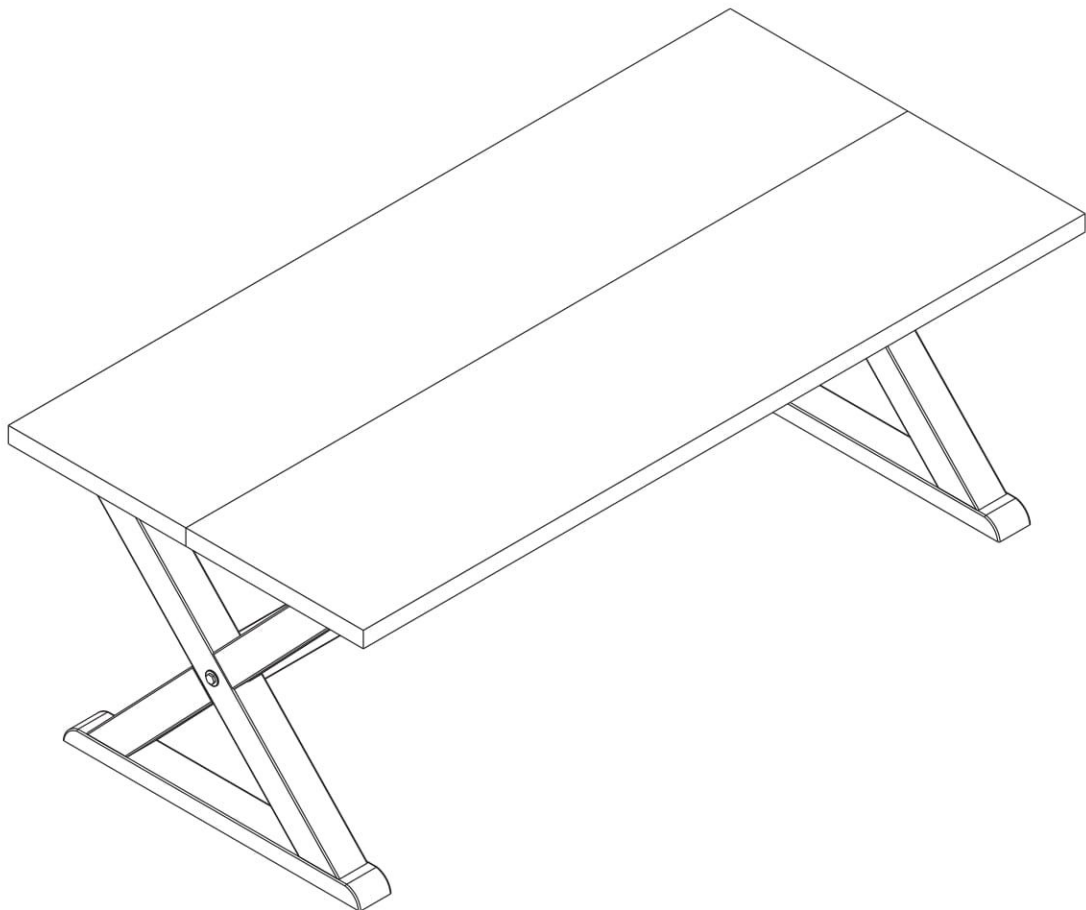
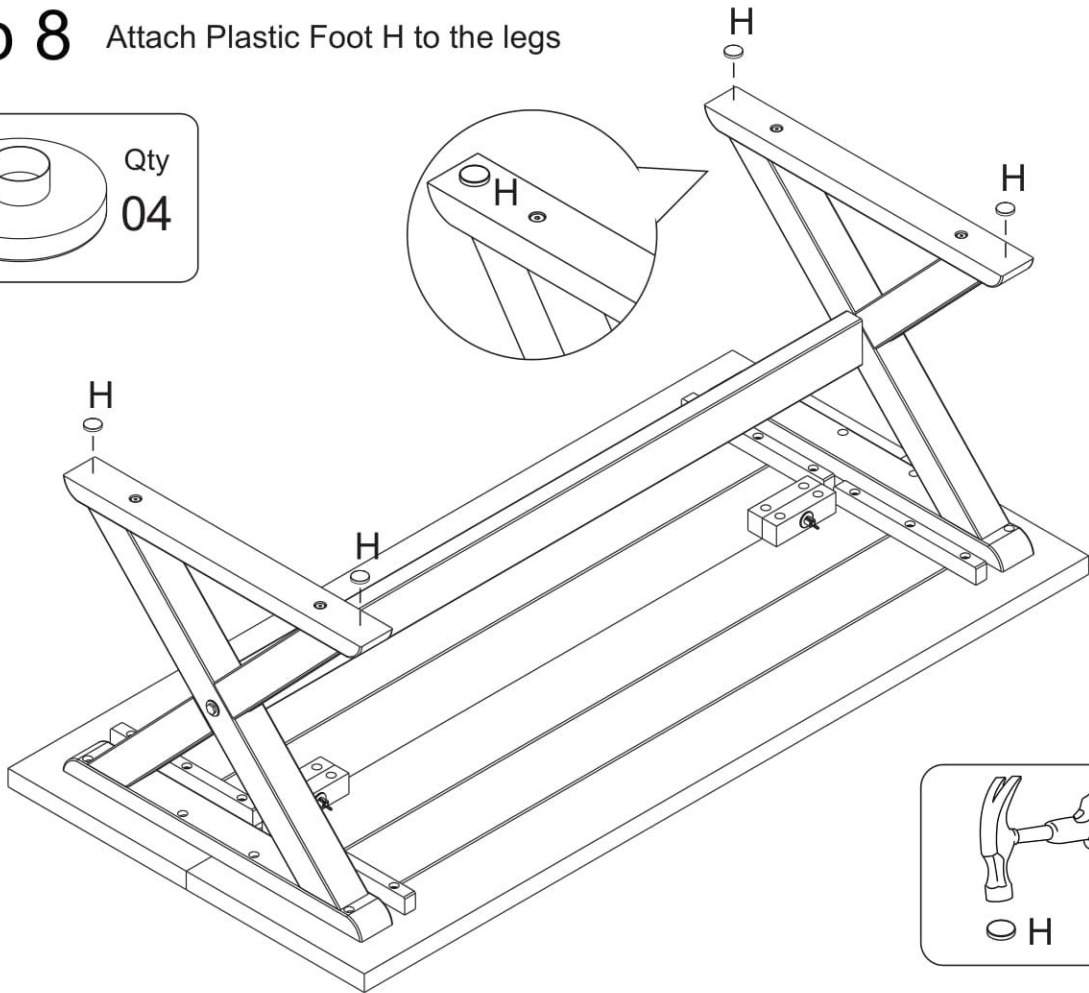
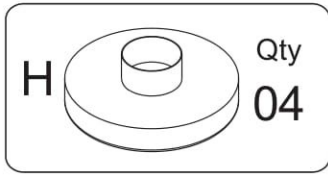
Step 6 Attach parts 6 and 7 together using Bolt D, Washer F, and Screw Nut G



Step 7 Attach Table to Legs using Screw A



Step 8 Attach Plastic Foot H to the legs



Final Assembly