

# ASSEMBLY INSTRUCTION

Thank you for purchasing this quality product. Be sure to check all packing material carefully for small parts which may have come loose inside the carton during shipment. Separate, identify and count all parts and hardware. Compare with the parts list to be sure all parts are present.

**IMPORTANT : PLEASE READ INSTRUCTION BEFORE STARTING THE ASSEMBLY.**

**"DO NOT TIGHTEN SCREWS UNTIL COMPLETELY ASSEMBLED"**

**"DO NOT OVERTIGHT ANY HARDWARE"**

**WARNING : SMALL PARTS AND HARDWARE NOT FOR CHILDREN UNDER 3 YEARS. ADULT ASSEMBLY REQUIRED.**

## TABLE OF CONTENTS

PARTS LIST

PAGE 2

ASSEMBLY STEPS

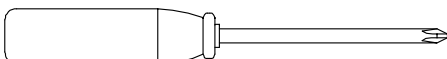
PAGE 2 - 3

ASSEMBLY COMPLETED

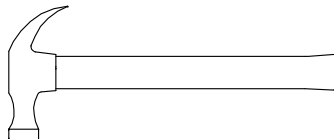
PAGE 3

## ASSEMBLY TOOLS REQUIRED

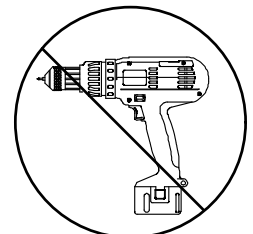
**1. Screwdriver (not provide)**



**2. Hammer (not provide)**

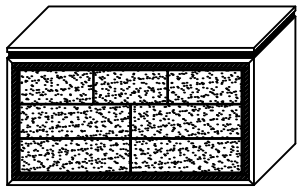
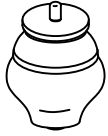
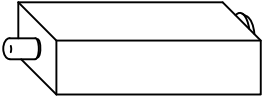


Skip the power drill this time.



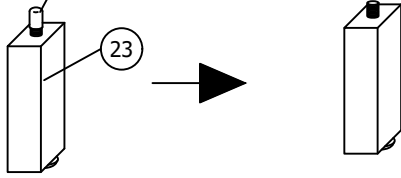
# 80152-011 DR ASSEMBLY INSTRUCTION

## PARTS LIST

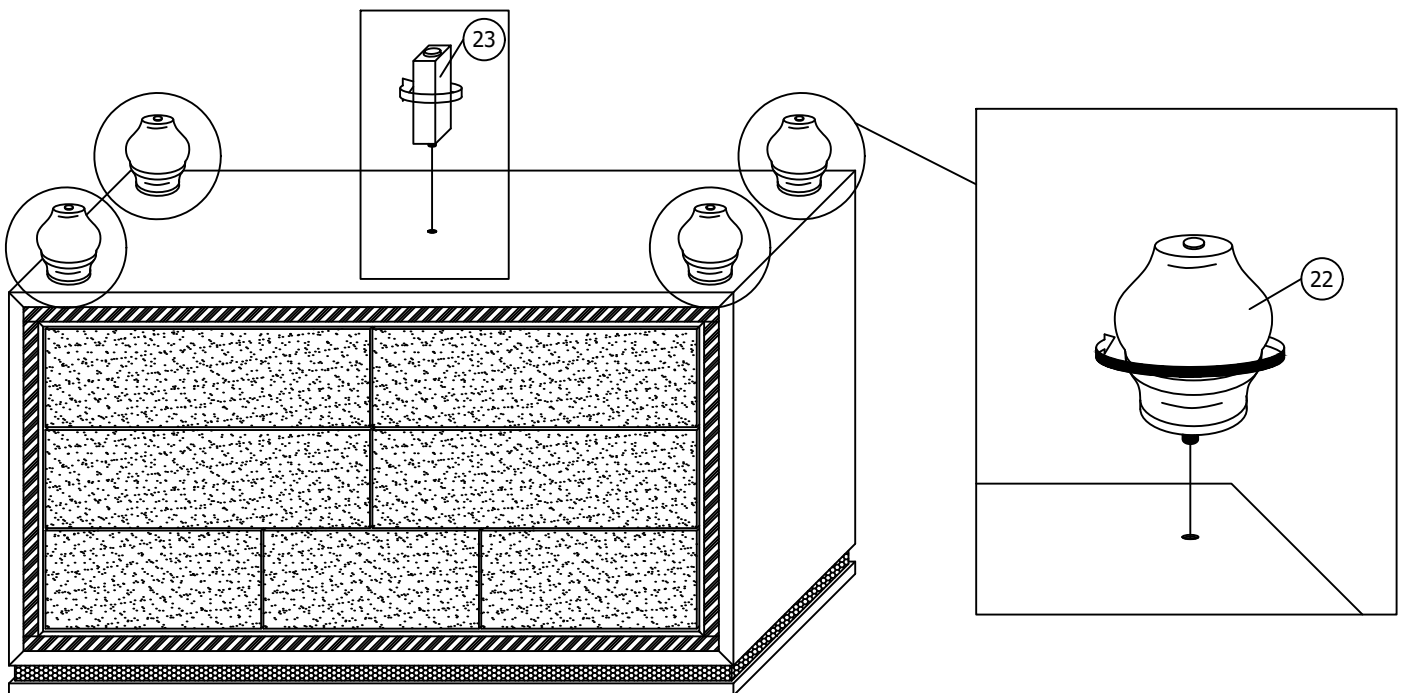
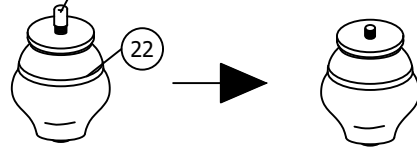
ITEM	DESCRIPTION	DRAWING	QTY
1	DRESSER		1 PC
22	LEG (WITH PLASTIC COVER)		4 PCS
23	CENTRE SUPPORT LEG (WITH PLASTIC COVER)		1 PC

### STEP 1

Take off this plastic cover before assembly

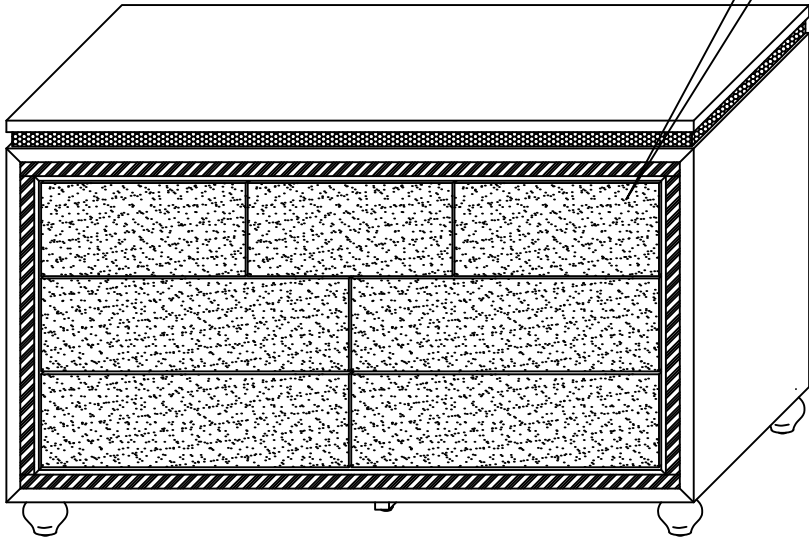
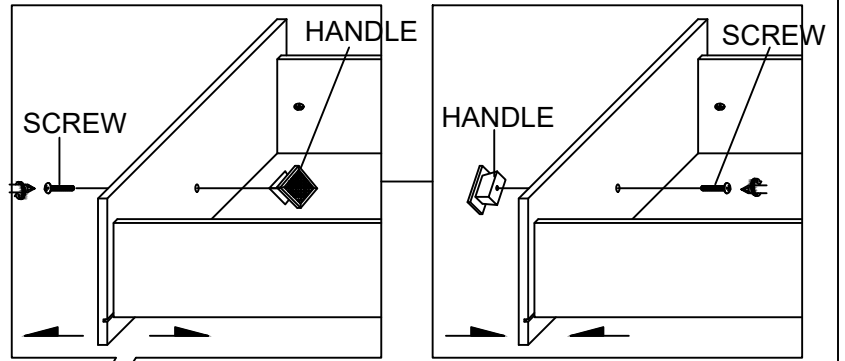


Take off this plastic cover before assembly

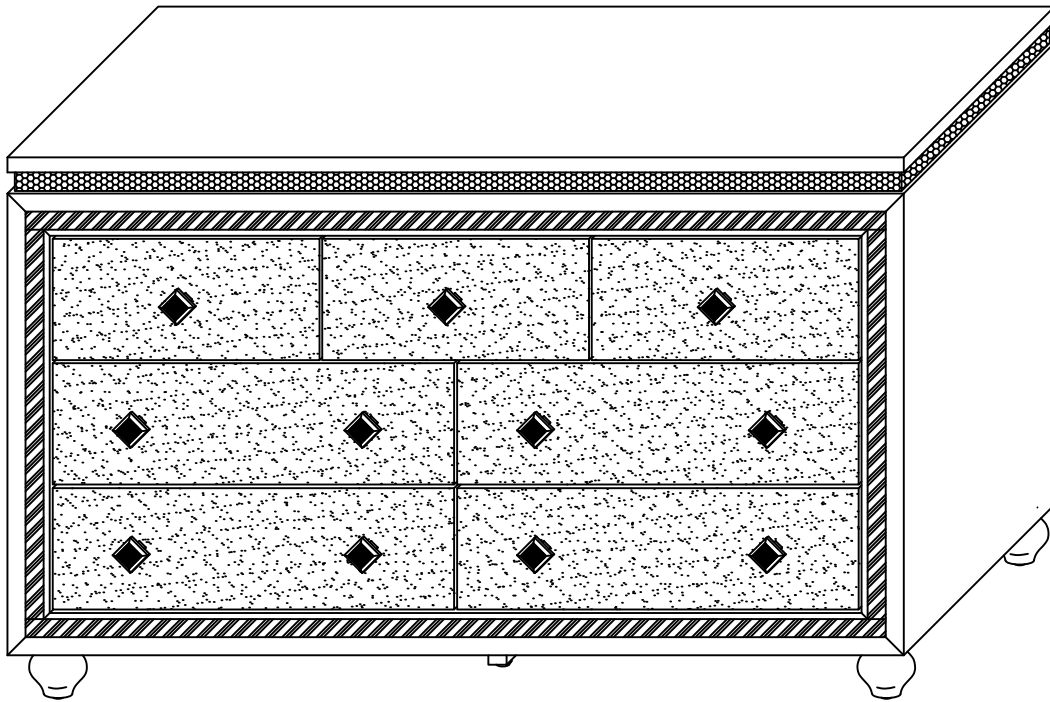


# ASSEMBLY INSTRUCTION

STEP 2



STEP 2



**ASSEMBLY COMPLETED**