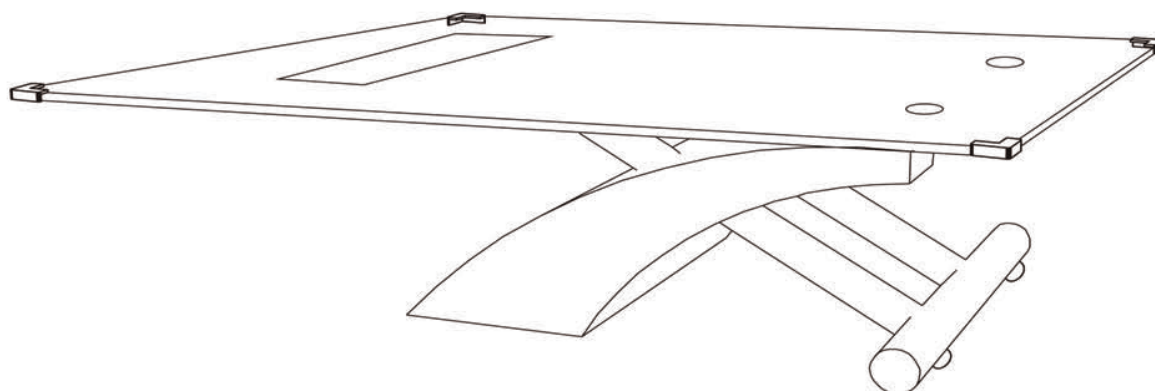





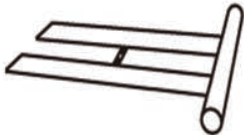









Assembly Instructions



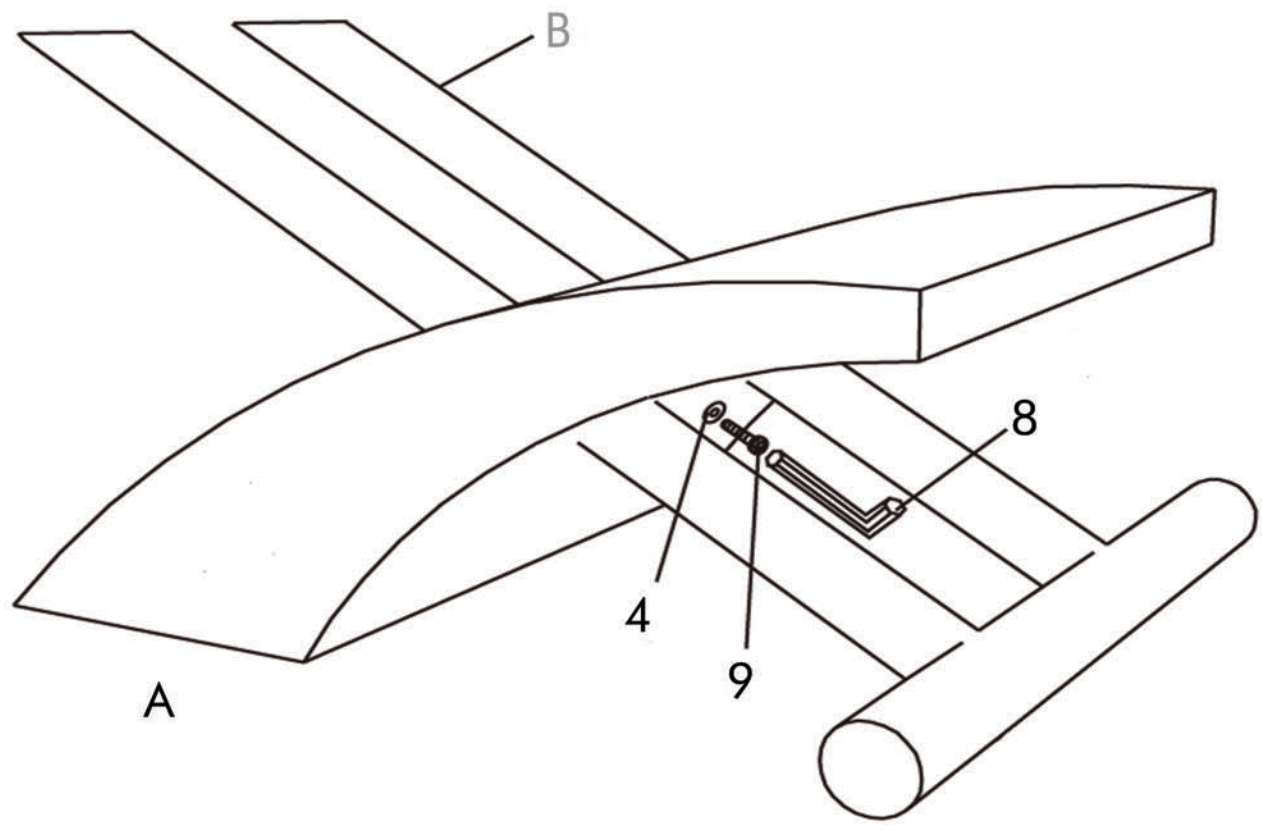
Please install the products on carpet or soft place.

Parts list

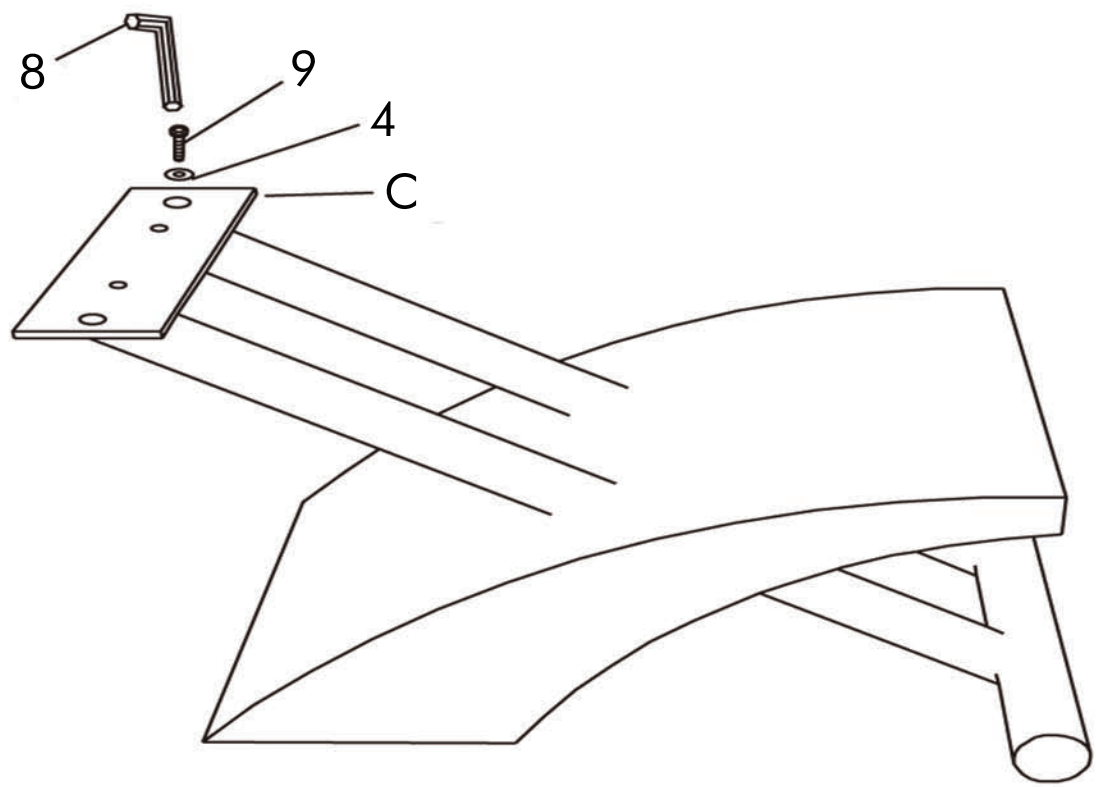
Hardware List

No.	Sketch	Description	Qty	No.	Sketch	Description	Qty
A		Frame	1	1		Pulling Rod M8*65	2
				2		Pulling Rod M8*15	2
B		Leg	1	3		Plastic Protection Corner	4
				4		Gasket M8*18	6
C		Conection	1	5		Adjustable Foot	2
				6		Box Spanner	1
D		Tempered Glass Table Top	1	7		Round nut	4
				8		Plastic Protection Corner	1
				9		Screw M8*15	4

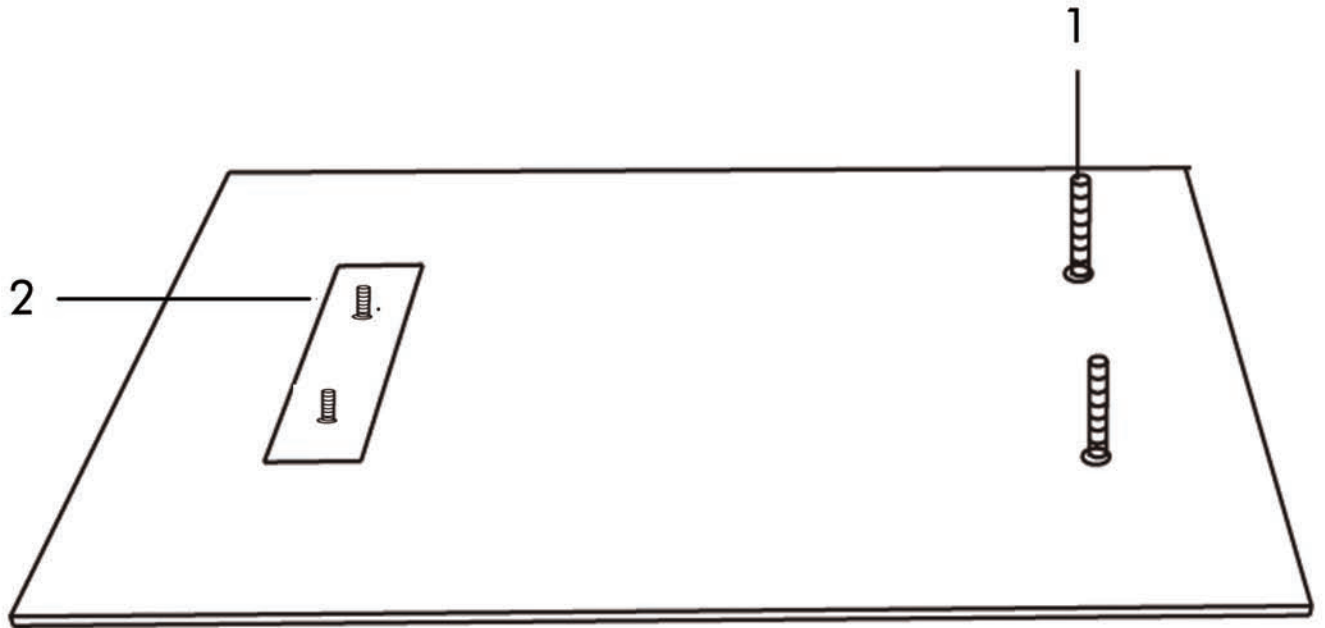
Step 1



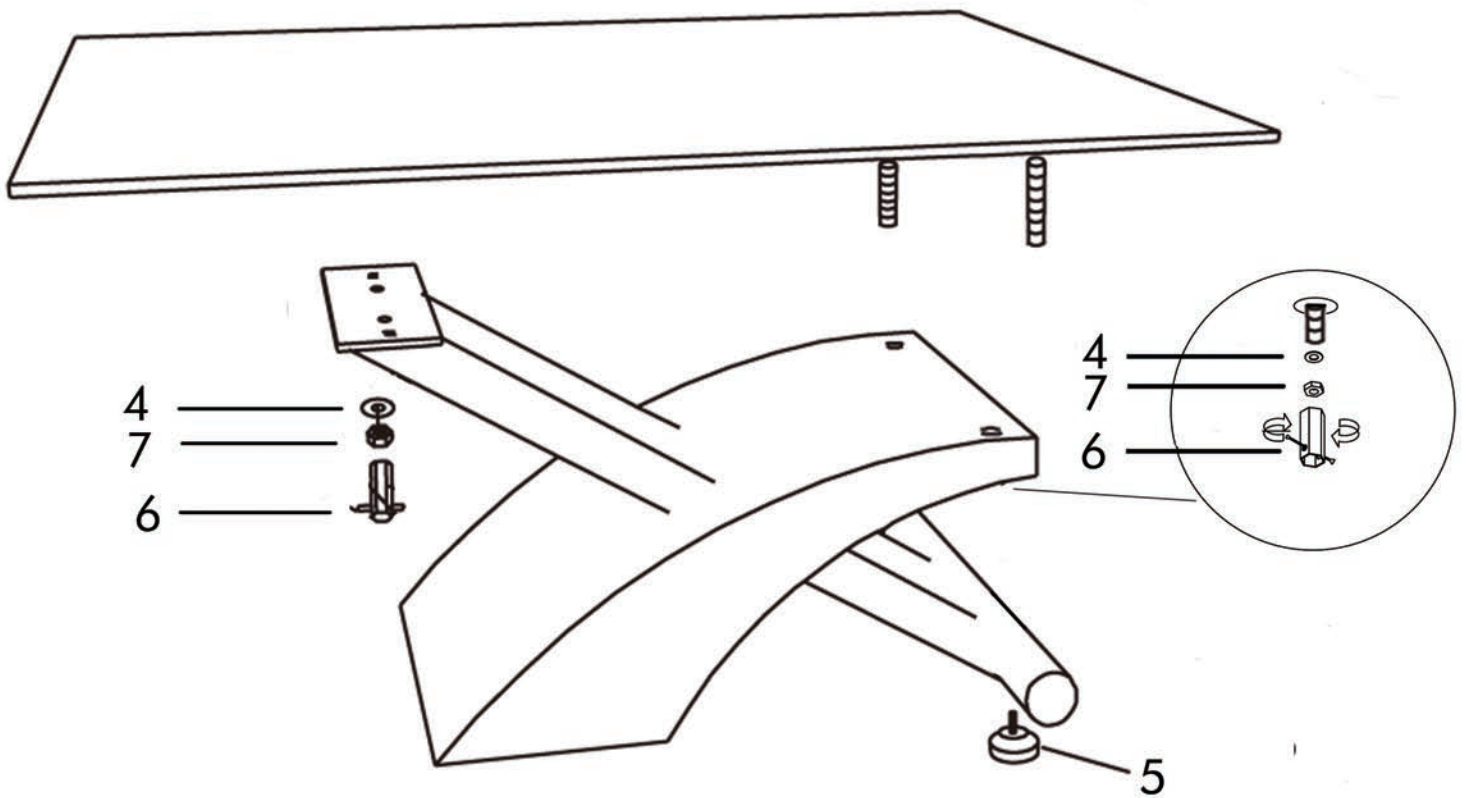
Step 2



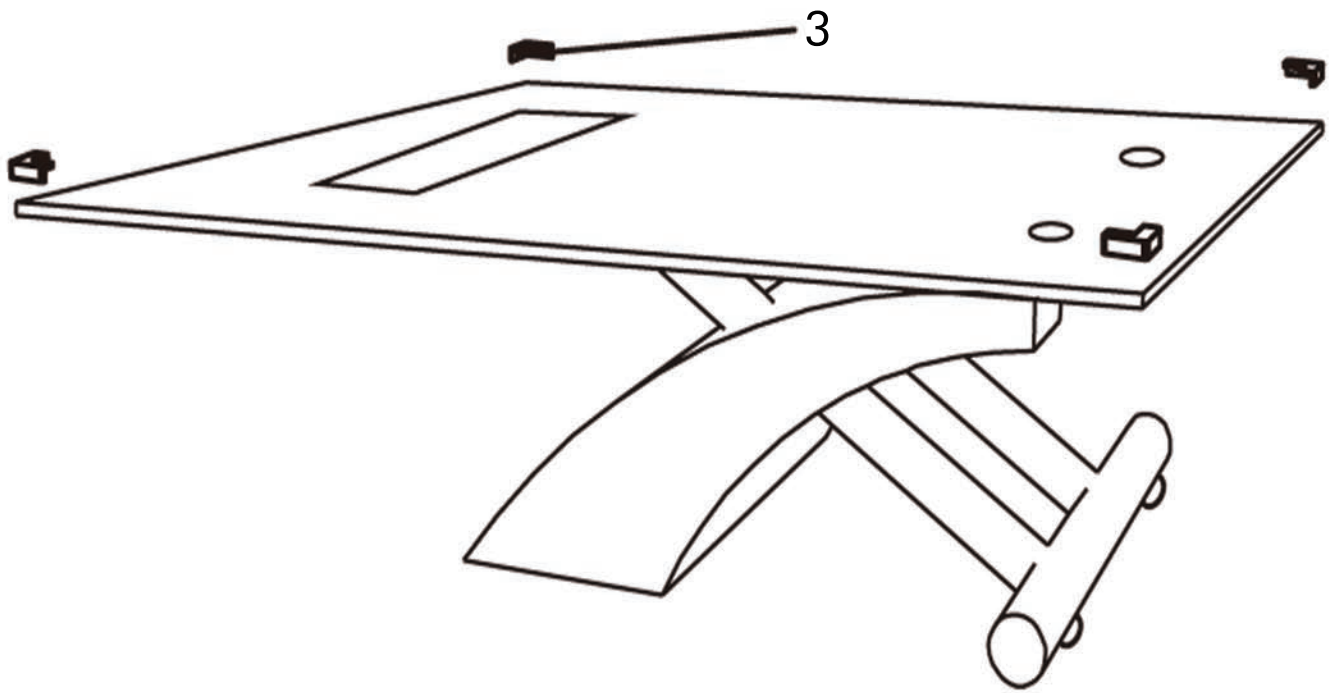
Step 3



Step 4



Step 5



Step 6

