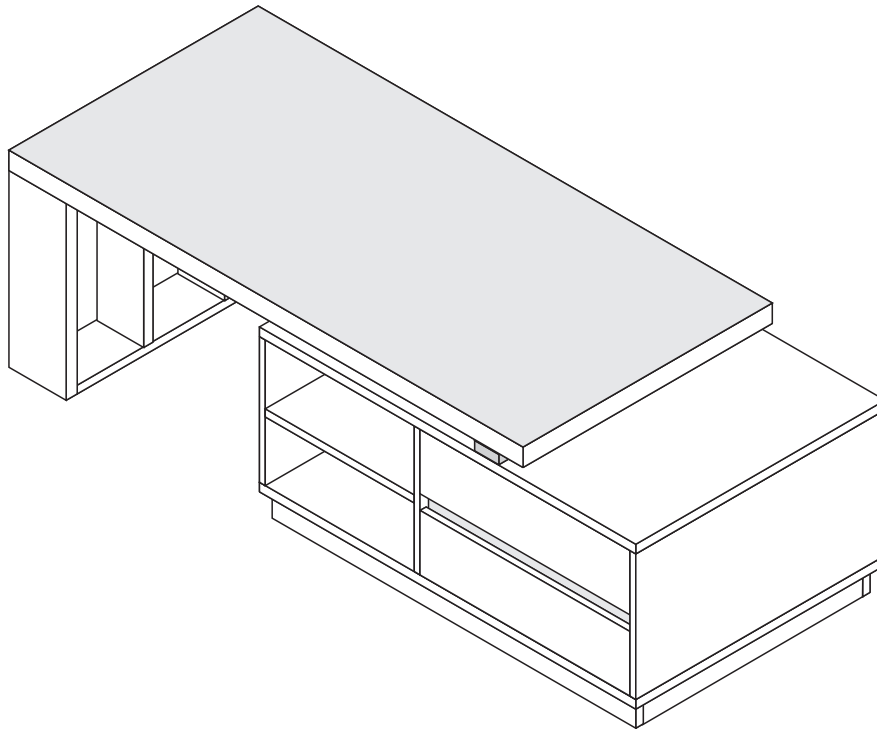
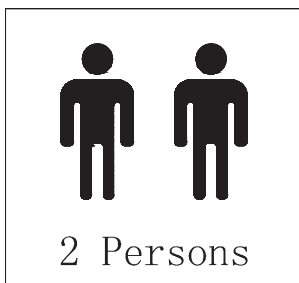


# 1201#

## Tea Table



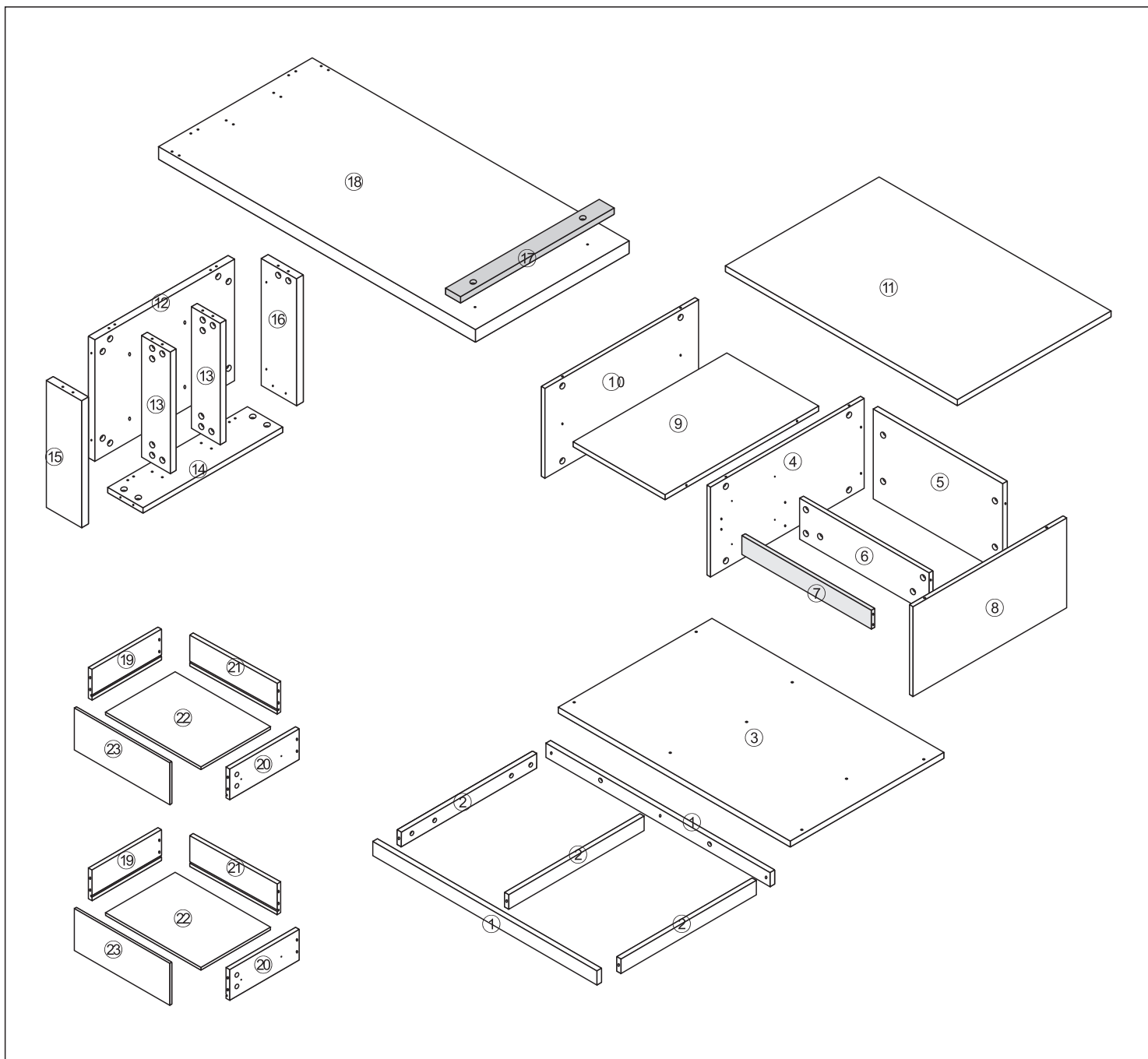
Left and right interchangeability



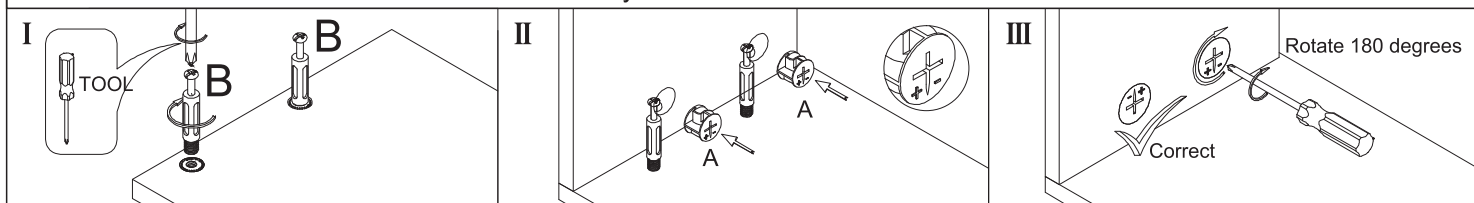
W1100\*D700\*H420MM

### Installation Instructions

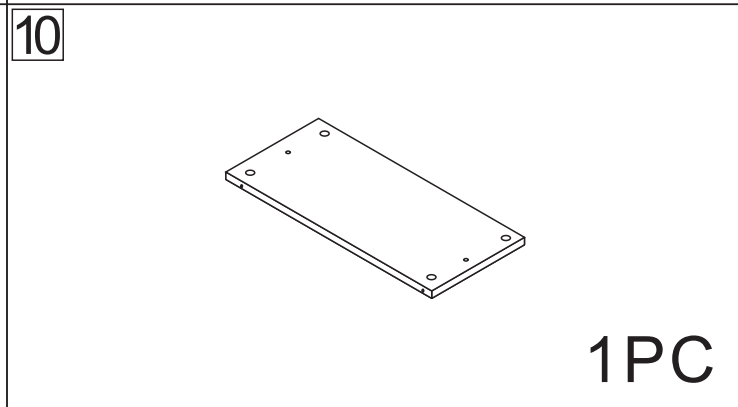
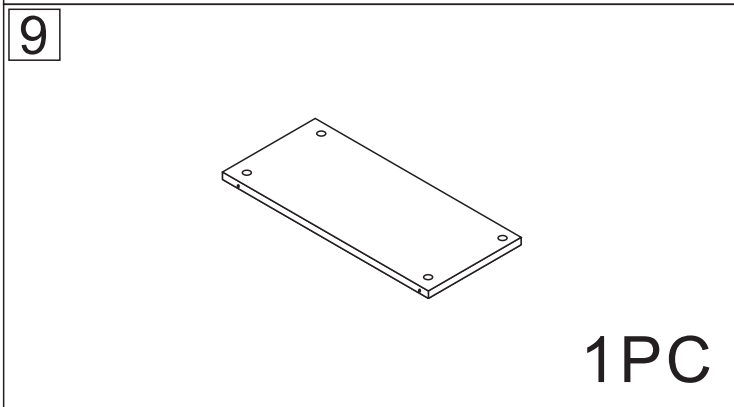
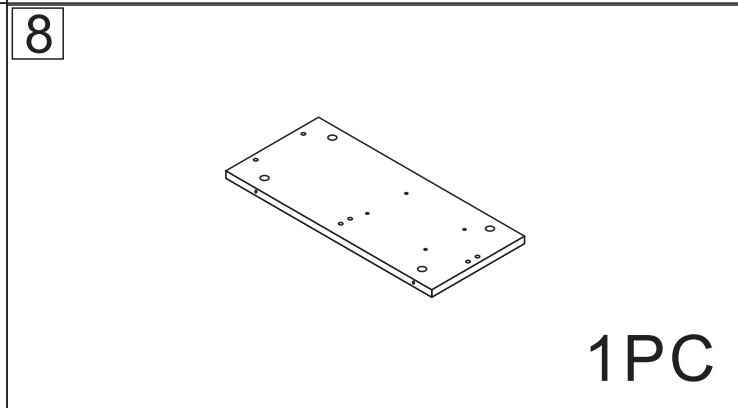
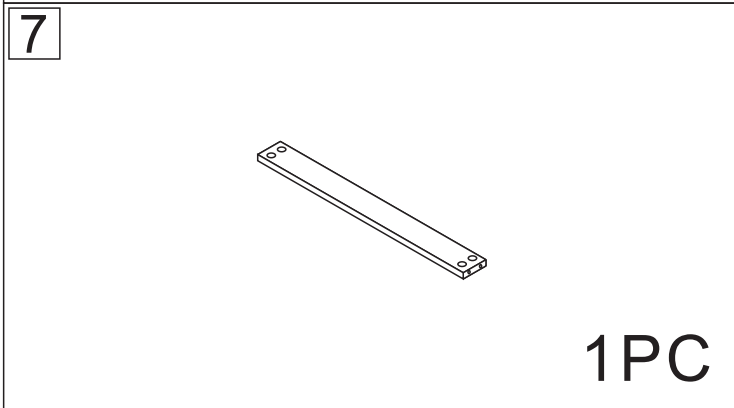
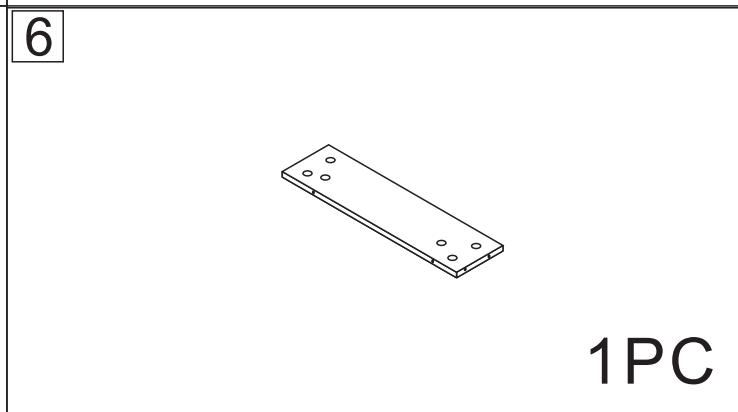
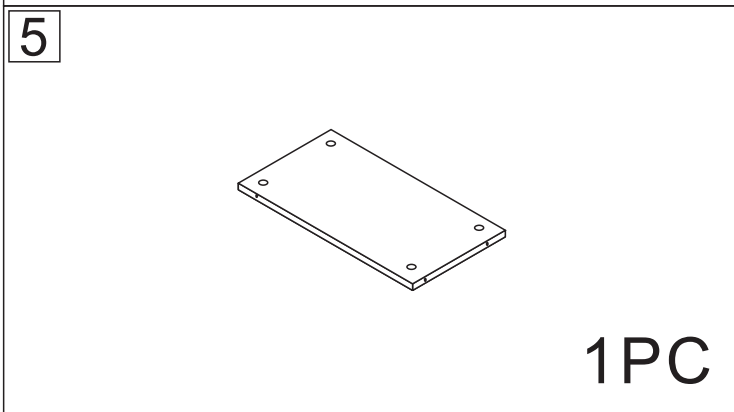
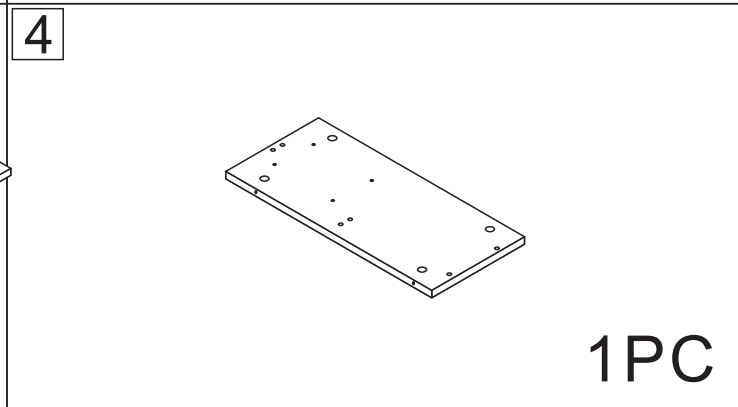
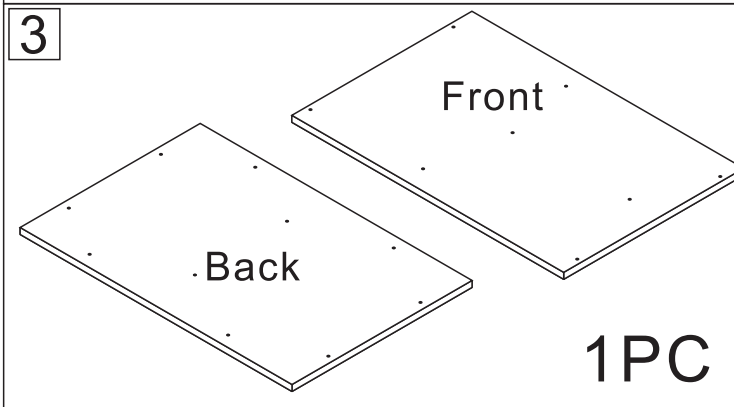
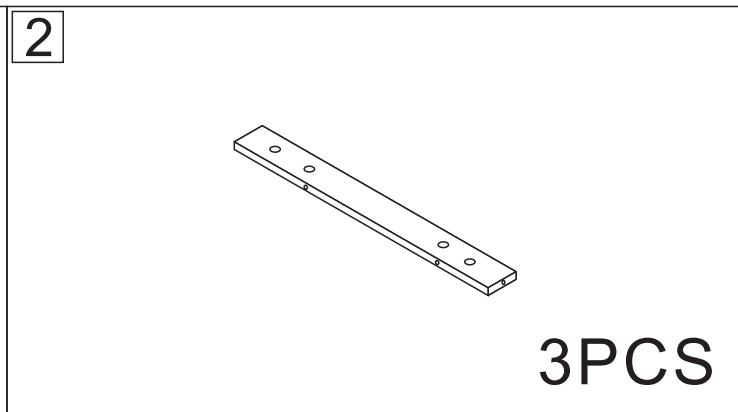
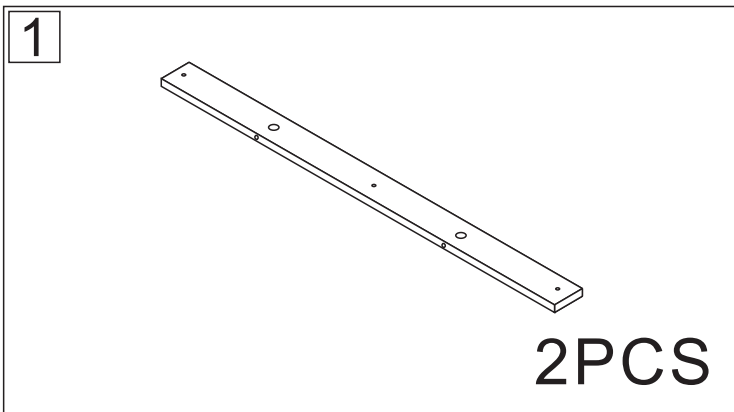
Notes: Don't tighten screws completely at first, just in case parts were assembled wrongly and need disassemble. Tighten screws at last when all parts are put together.



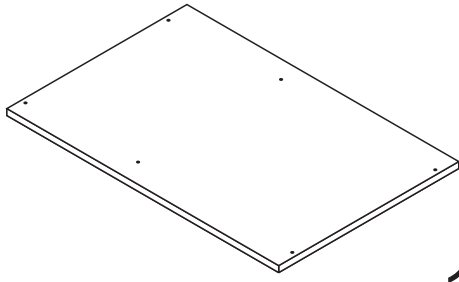
Disassembly and installation of accessories



<b>A</b> 82PCS	<b>B</b> 82PCS	<b>C</b> 24PCS	<b>D</b> 8PCS	<b>E</b> 8PCS	<b>F</b> 2PCS	<b>G</b> 4PCS	<b>H</b> 16PCS
15*10mm	6*28mm	3.5*14mm	Three-section Rail	3.5*40mm	M6*30mm	8*30mm	φ 15mm
<b>J</b> 3PCS	<b>K</b> 28PCS						
Foam pad	Three in one sticker	Tools Recommended					

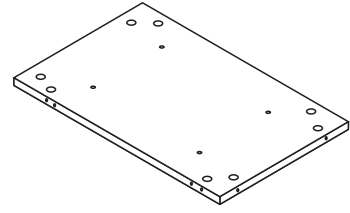


11



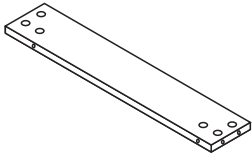
1PC

12



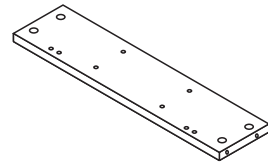
1PC

13



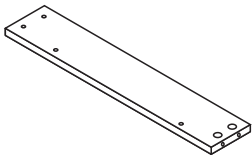
2PCS

14



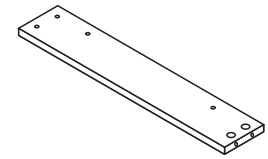
1PC

15



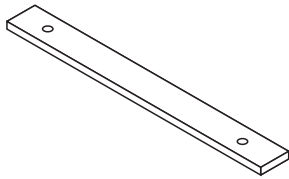
1PC

16



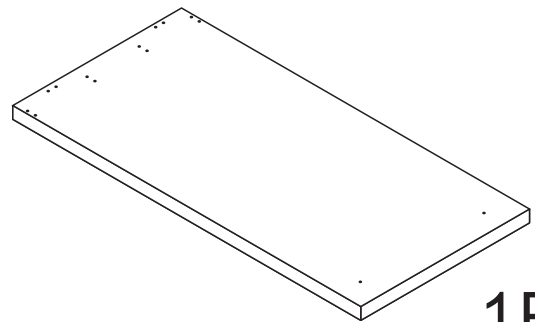
1PC

17



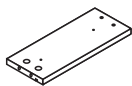
1PC

18



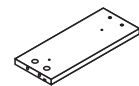
1PC

19



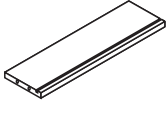
2PCS

20



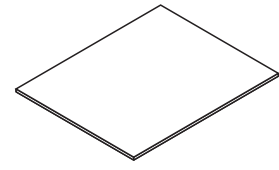
2PCS

21



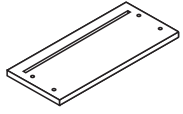
2PCS

22



2PCS

23



2PCS

24

25

26

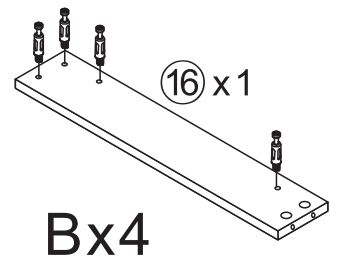
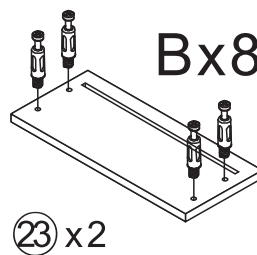
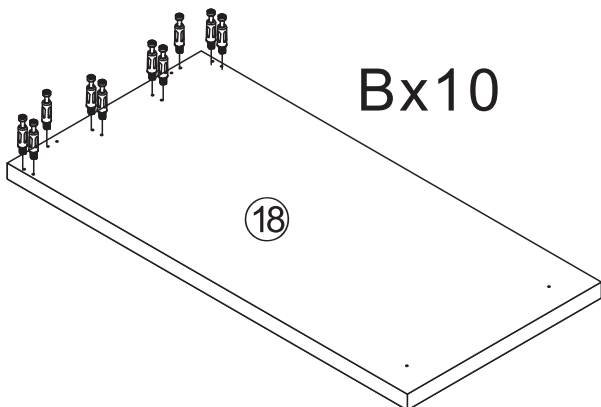
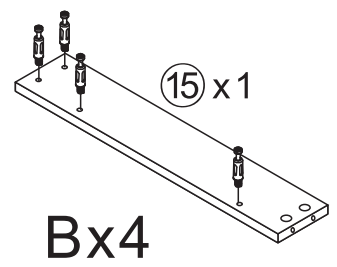
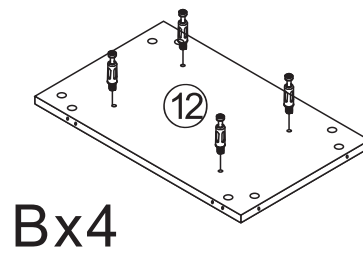
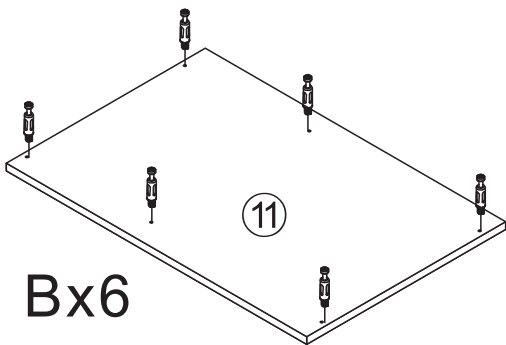
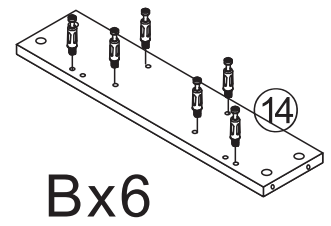
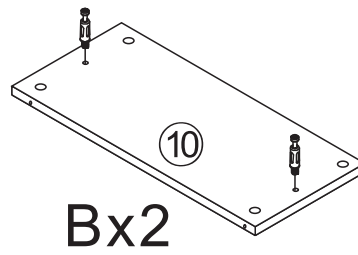
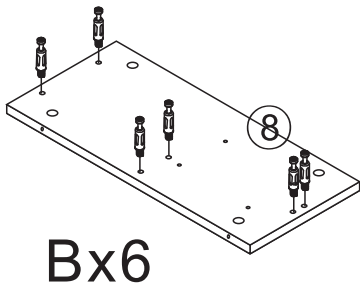
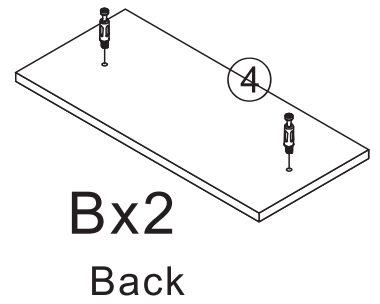
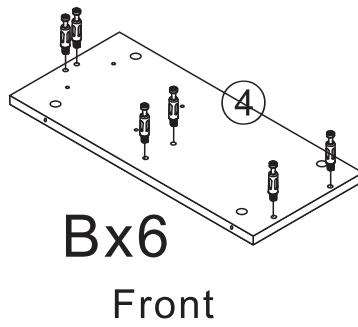
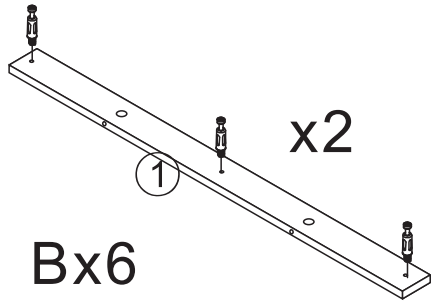
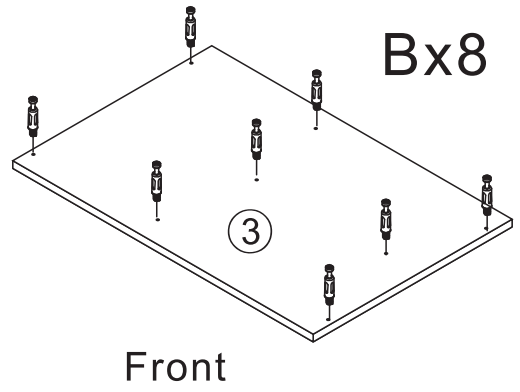
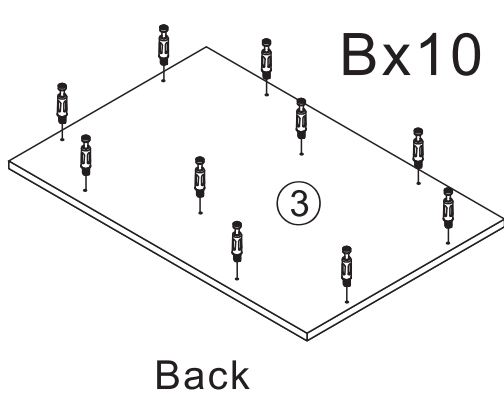
27


28

29

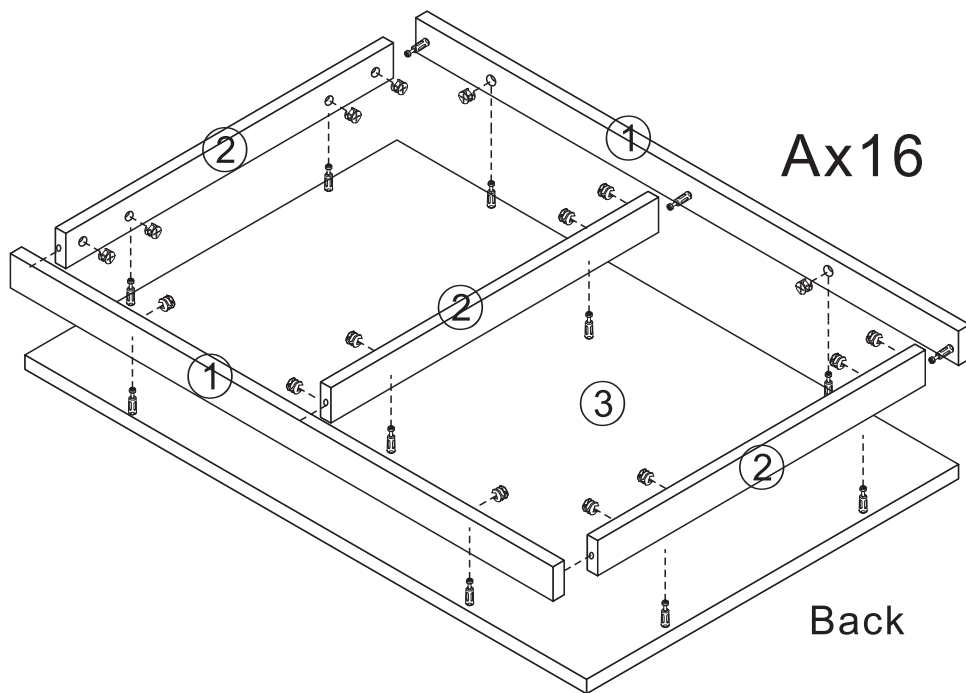
30


1



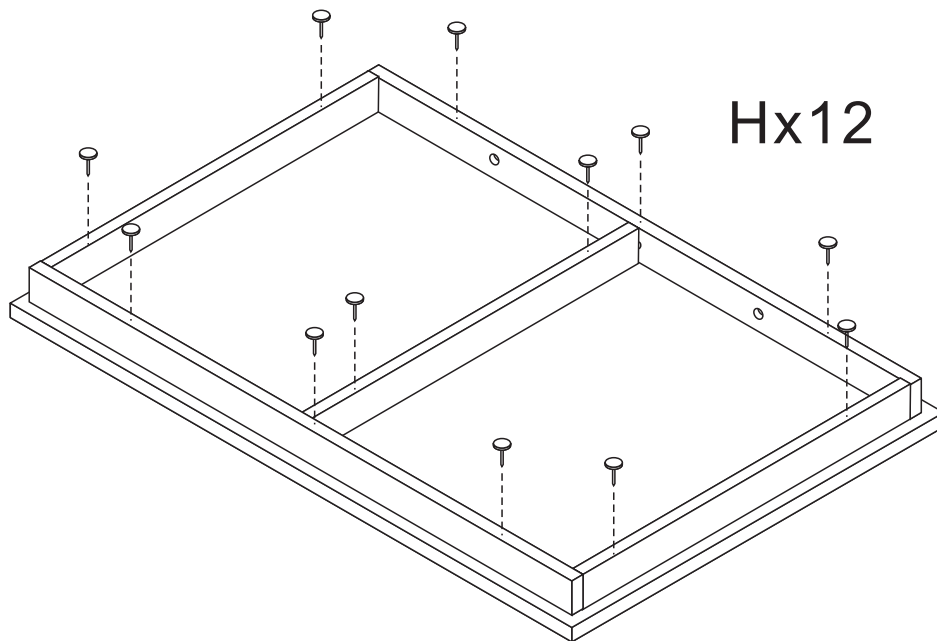
<b>B</b>	82PCS
	
6*28mm	


2



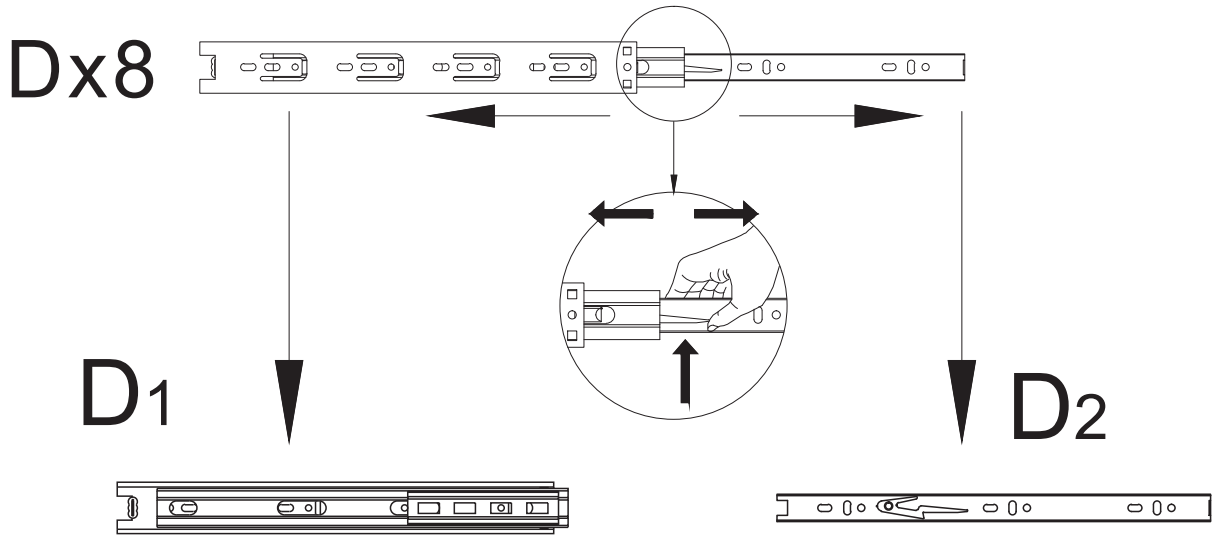
A	16PCS
	
15*10mm	

3



H	12PCS
	
φ 15mm	

4

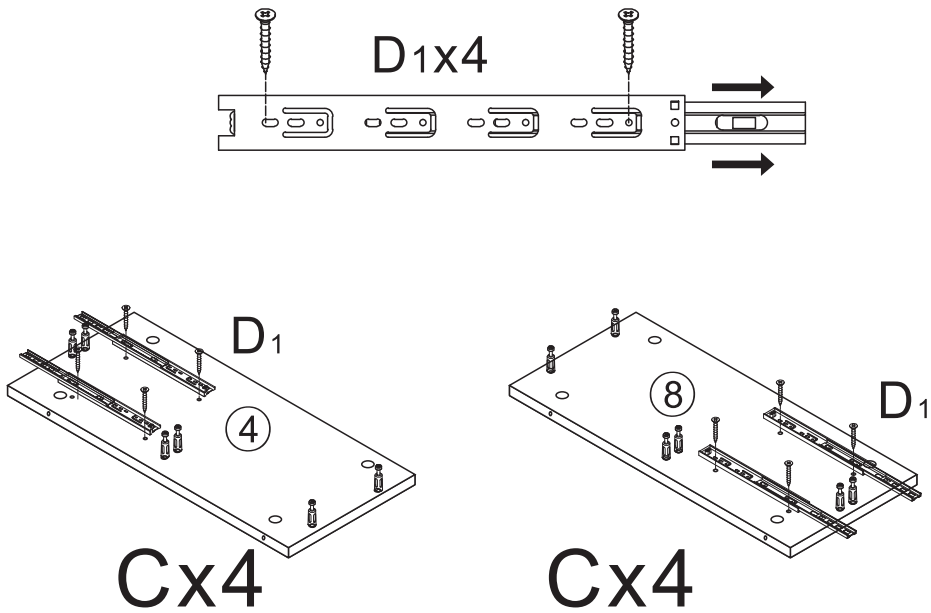


D<sub>1</sub> 4PCS



Three-section Rail

5



C 8PCS



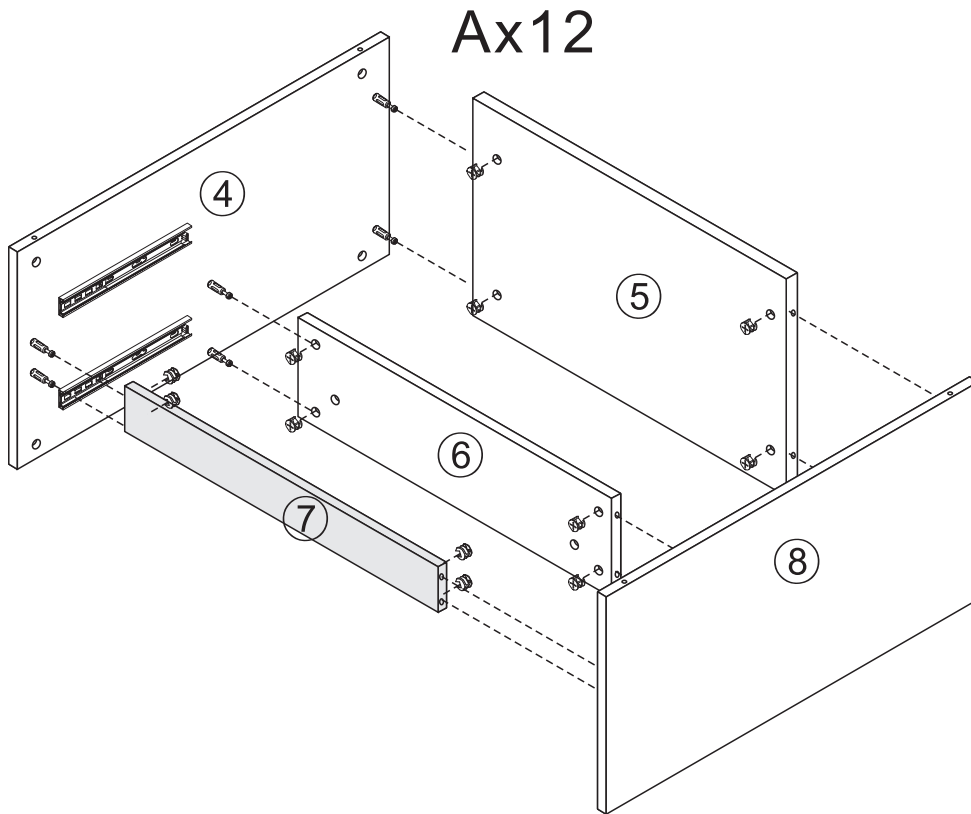
3.5\*14mm

D<sub>1</sub> 4PCS



Three-section Rail

6

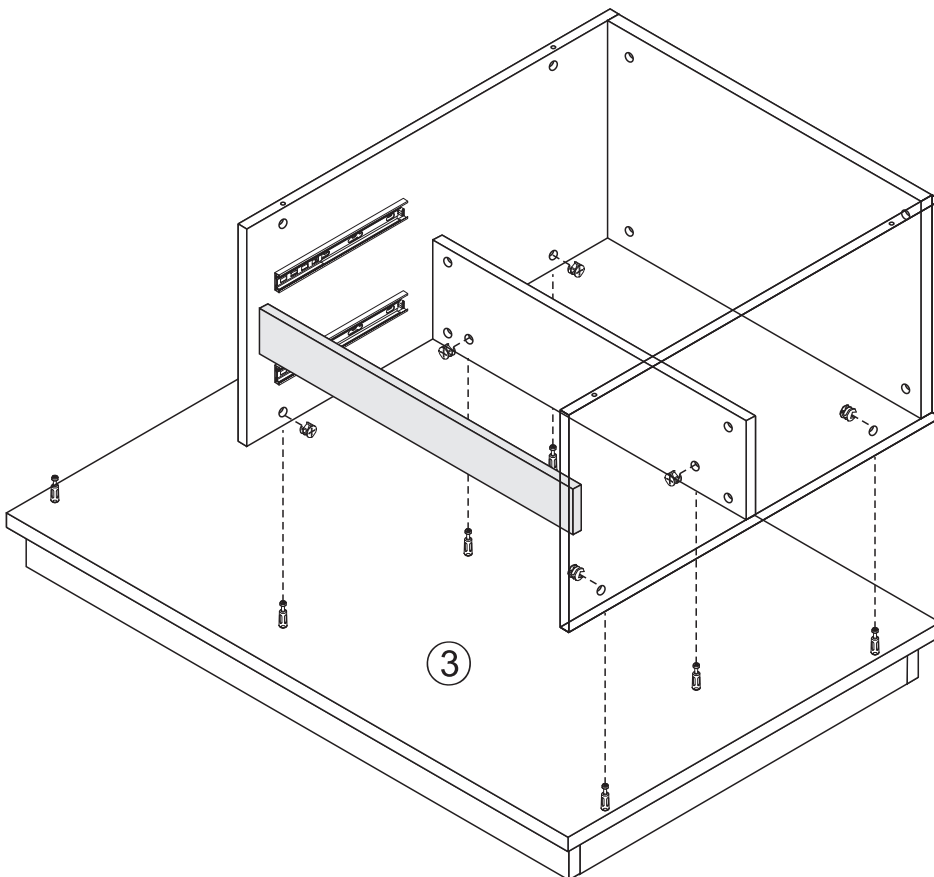


A 12PCS



15\*10mm

7



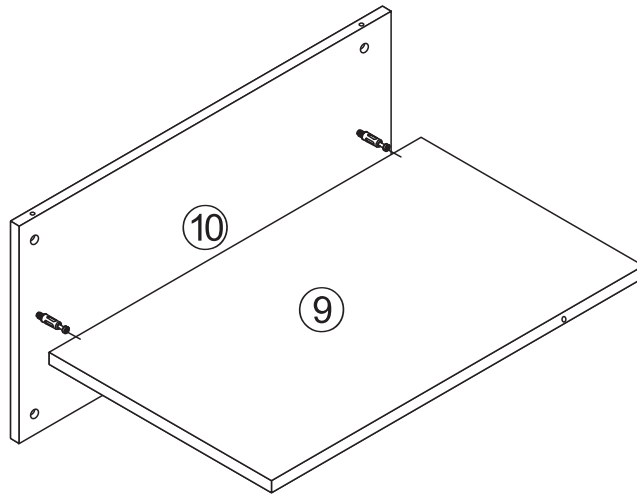
Ax6

A 6PCS



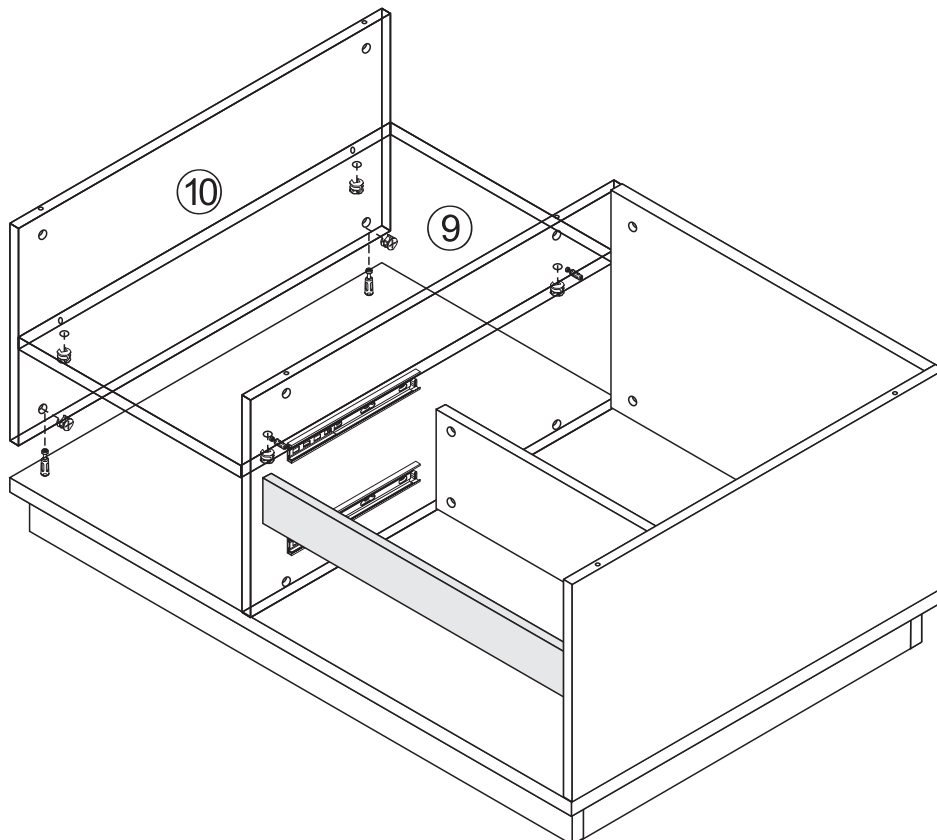
15\*10mm


8



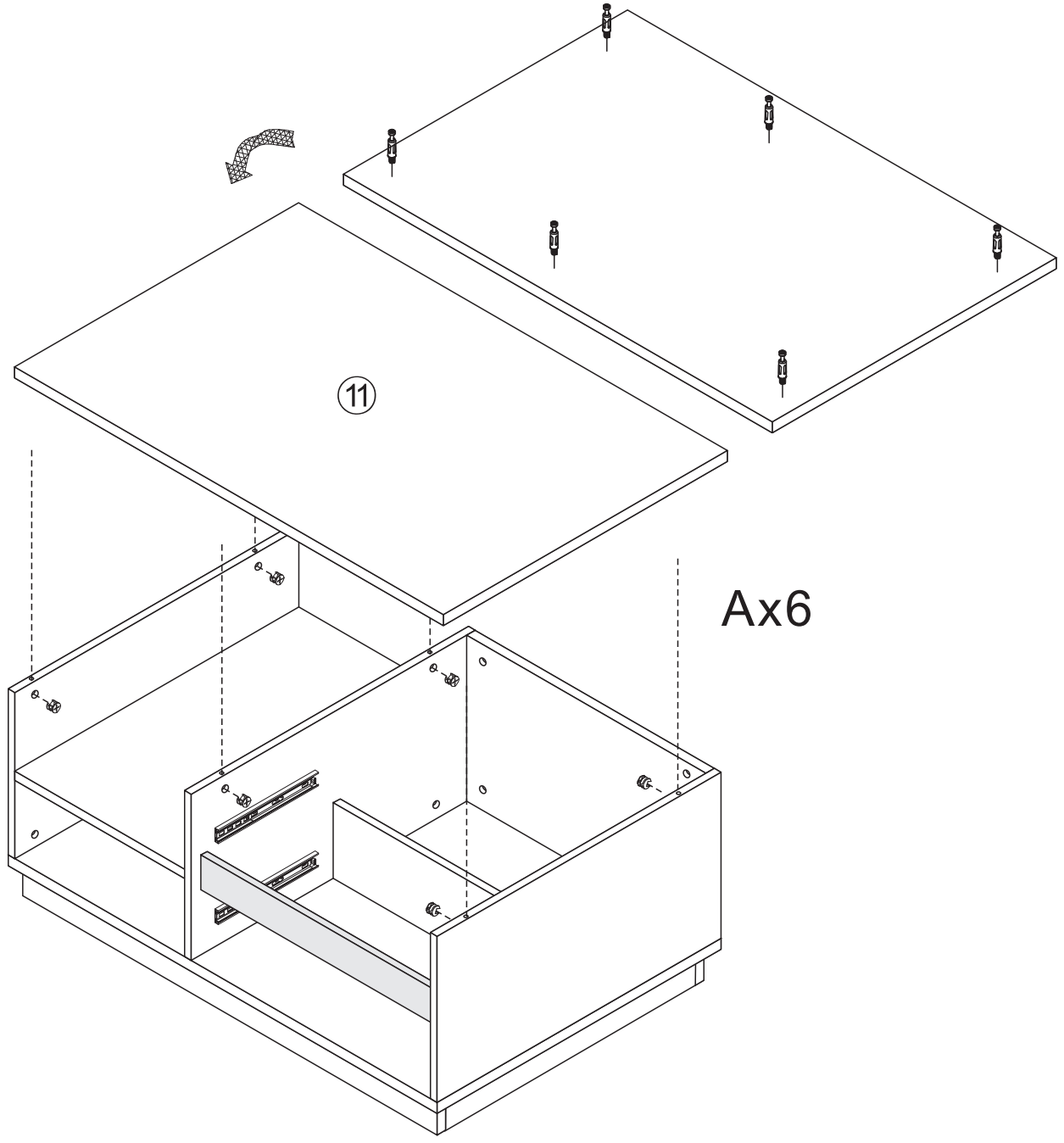
9


Ax6



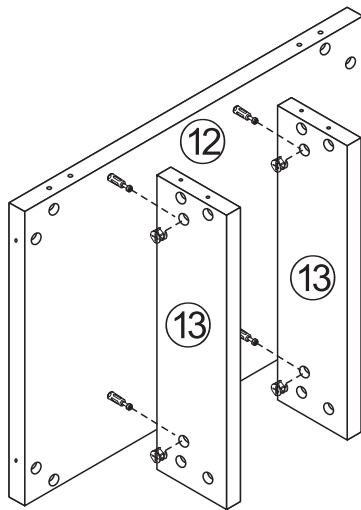
A	6PCS
	
15*10mm	

10




A	6PCS
	
15*10mm	

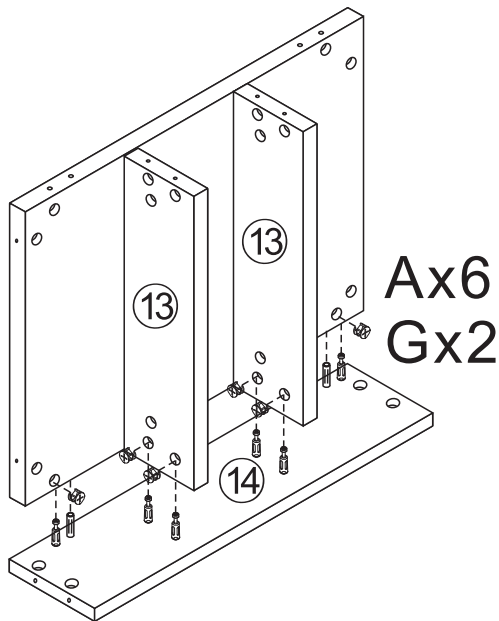
11


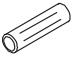


Ax4

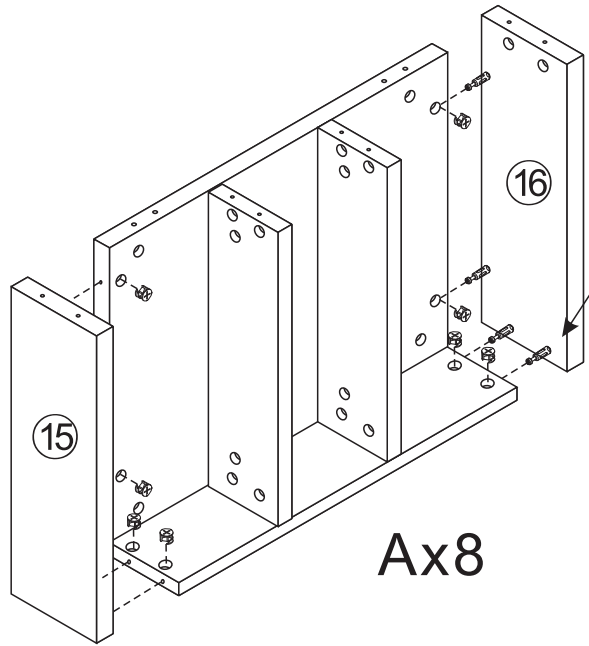
A	4PCS
	
15*10mm	

12



A	6PCS	G	2PCS
			
15*10mm		8*30mm	



13



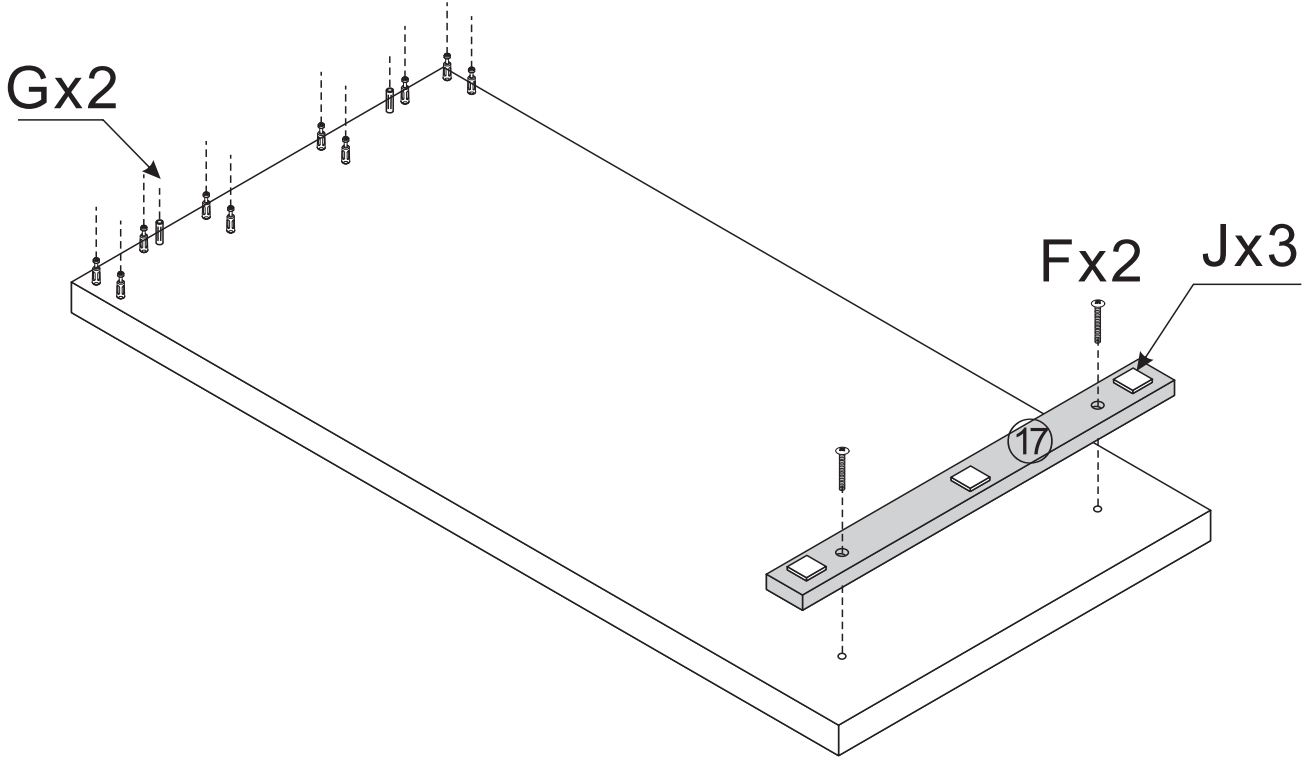
All three in one cake locking hole stickers Kx28  
three in one stickers

Kx28

Ax8

A	8PCS	K	28PCS
			
15*10mm		Three in one sticker	

14


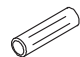



Gx2

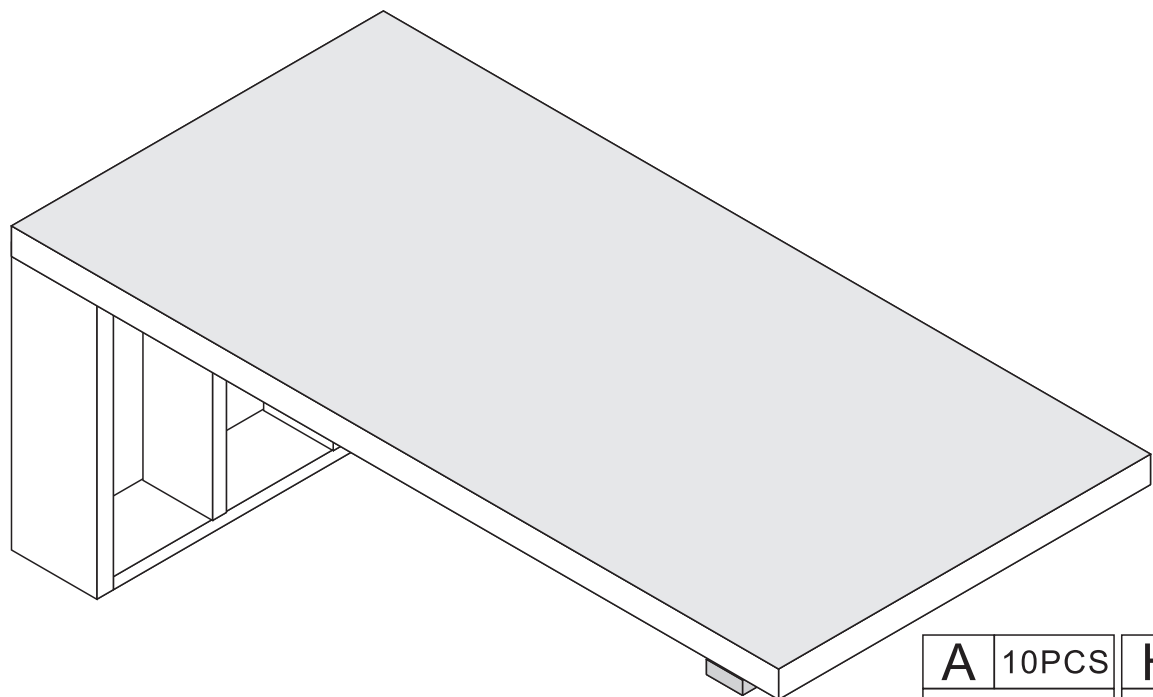
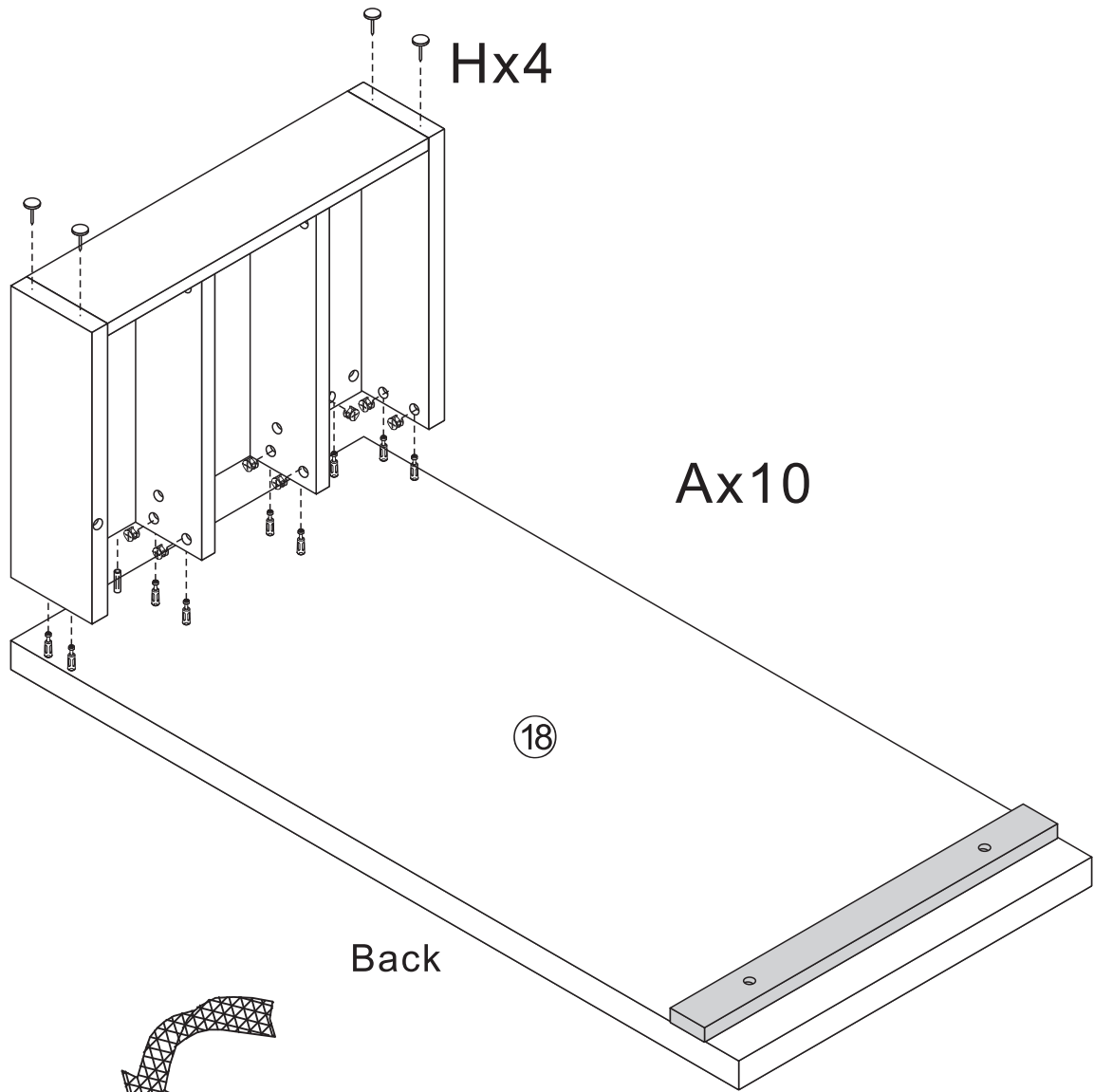
Fx2



Jx3

17

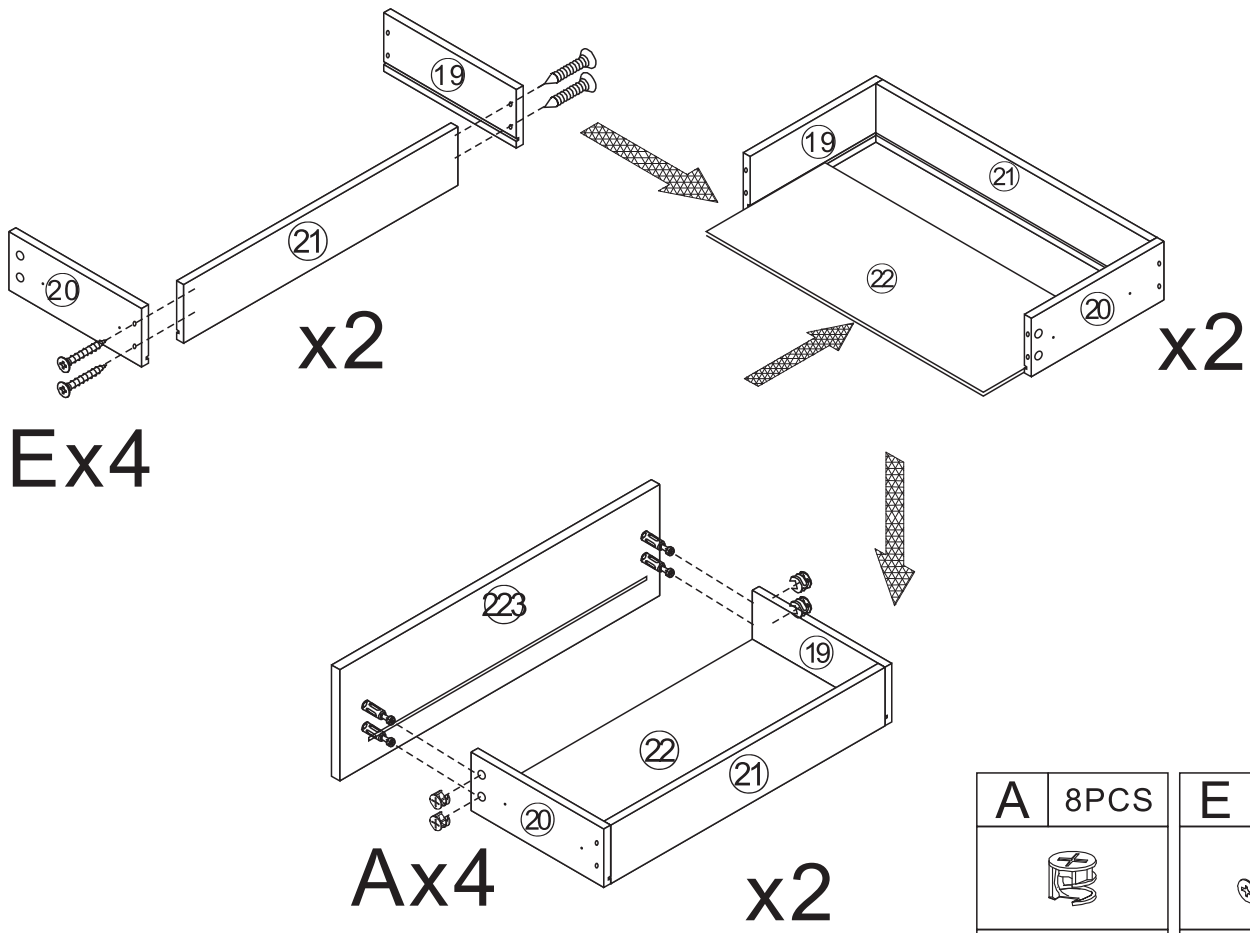
F	2PCS	G	2PCS	J	3PCS
					
M6*60mm		8*30mm		Foam pad	



15



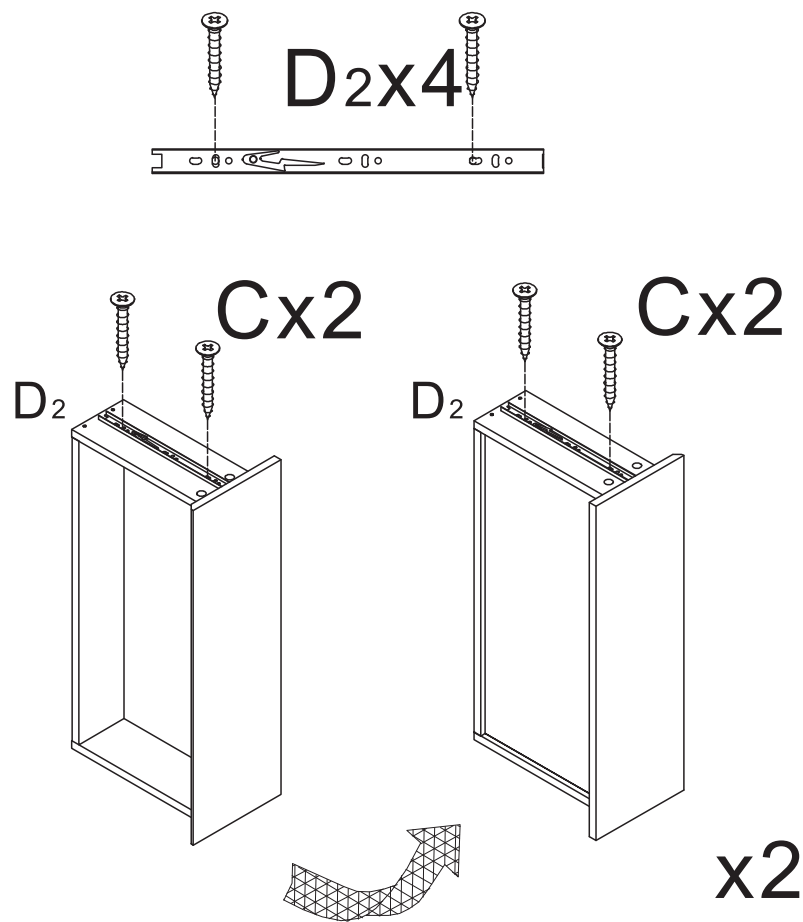
<b>A</b>	10PCS	<b>H</b>	4PCS
			
15*10mm		φ 15mm	



16



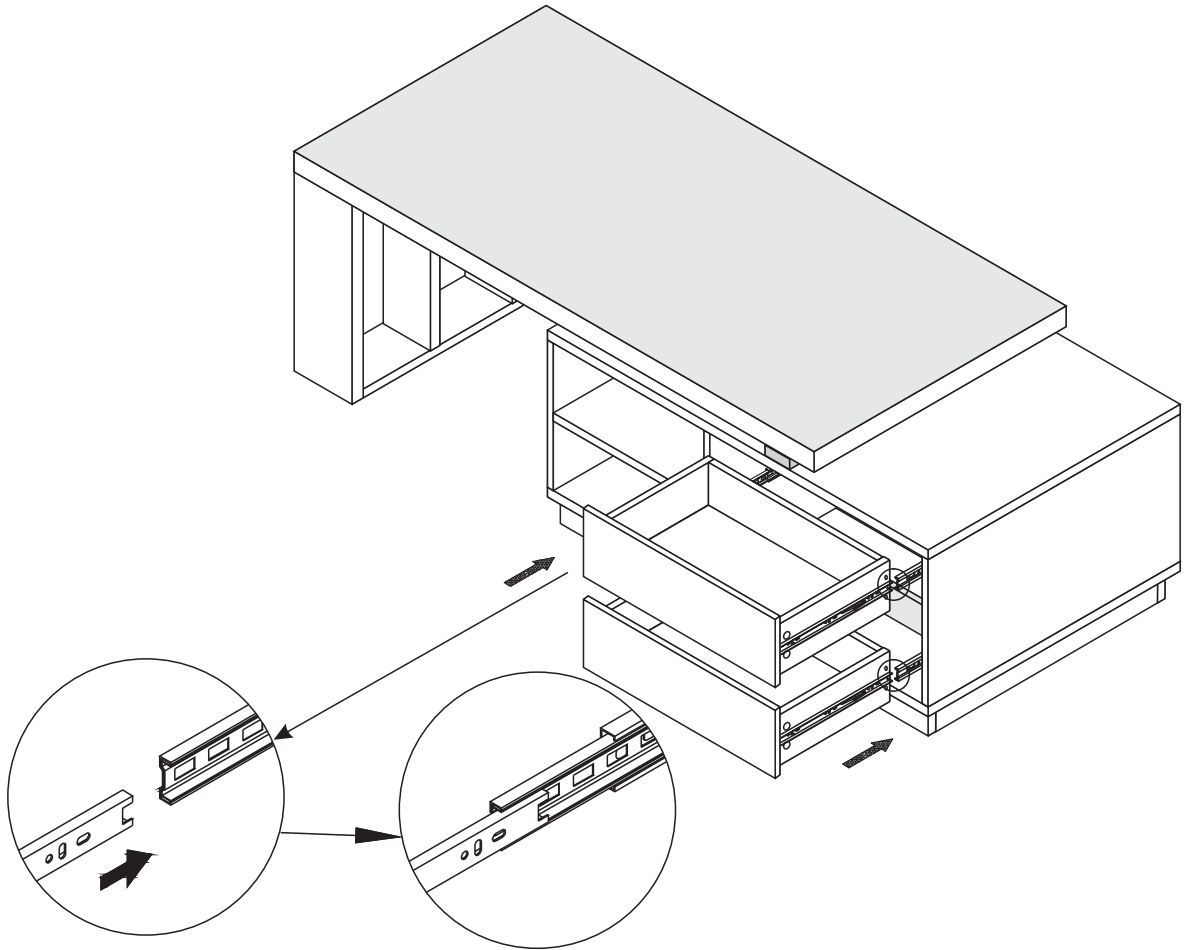
<b>A</b>	8PCS	<b>E</b>	8PCS
			
15*10mm		3.5*40mm	

17

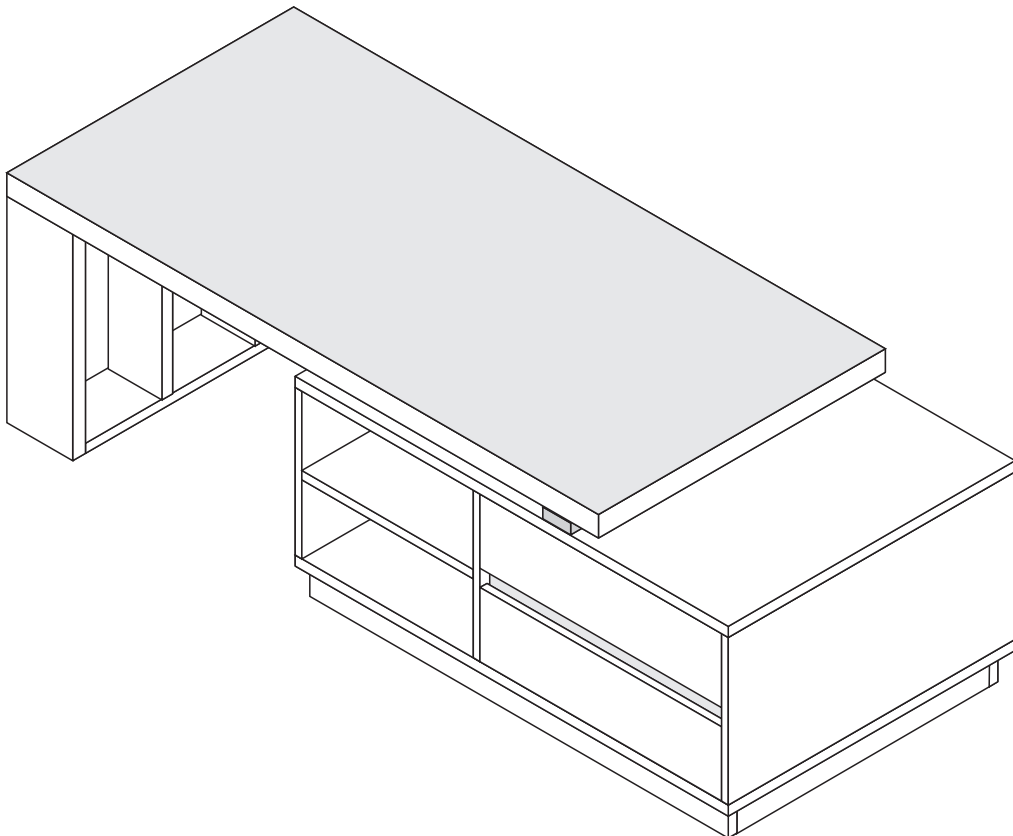


<b>C</b>	8PCS	<b>D<sub>2</sub></b>	4PCS
			
3.5*14mm		Three-section Rail	

16



17



OK