



Assembly Instruction Manual

Please read instructions thoroughly before beginning assembly.

Check boxes carefully for contents listed. Some parts are packaged inside of others.

Assemble on a clean, flat, non-abrasive surface to prevent scratching.

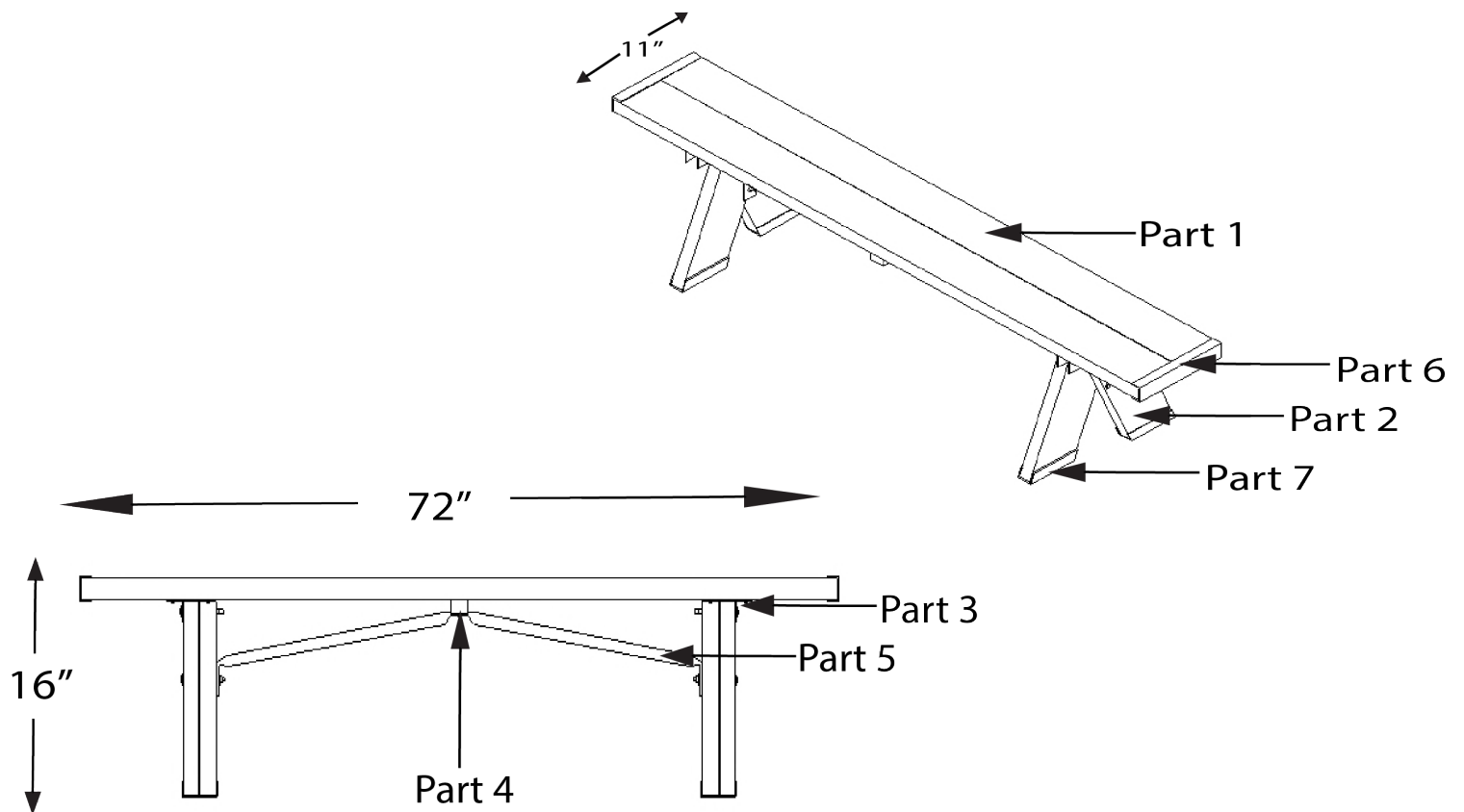
In the event of missing or damaged parts please call or email our customer service department at the contact info below.

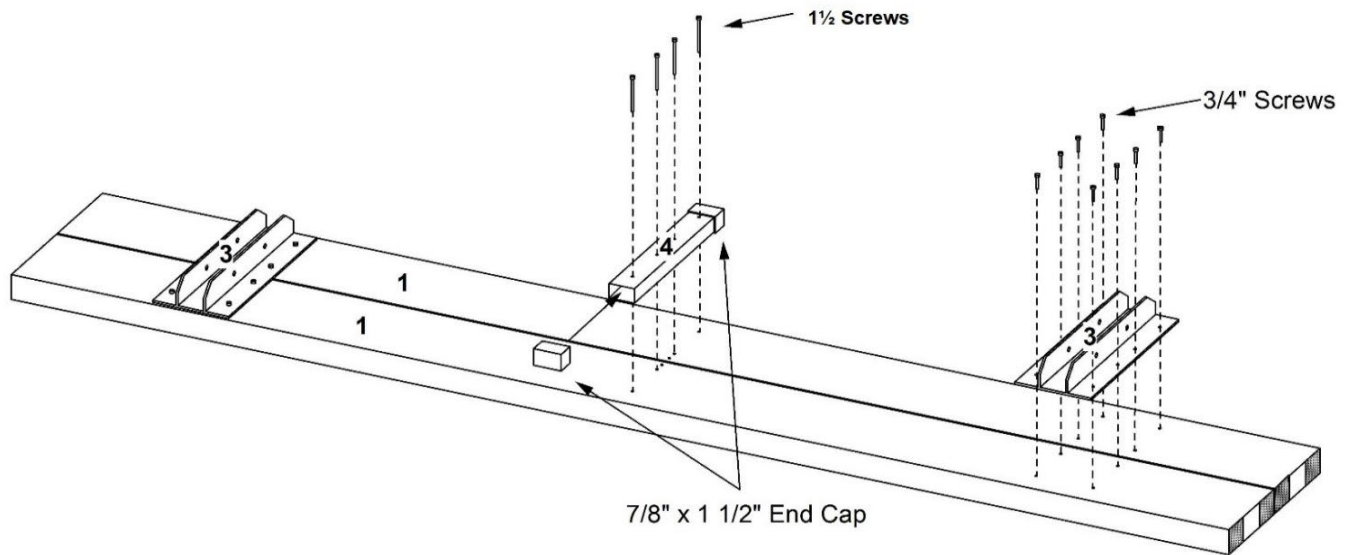
Tools Required

- Battery or Electric Drill (#2 phillips bit, 1/8" drill bit)
- (2) 7/16" Wrenches or Sockets
- File
- All Purpose Grease (Optional)*

*In steps requiring nuts and bolts for assembly, we recommend placing a small amount of grease on the end threads of the bolt. All hardware is stainless steel and this practice will prevent seizing or adhering together which may cause the bolt to snap during assembly while using power tools.

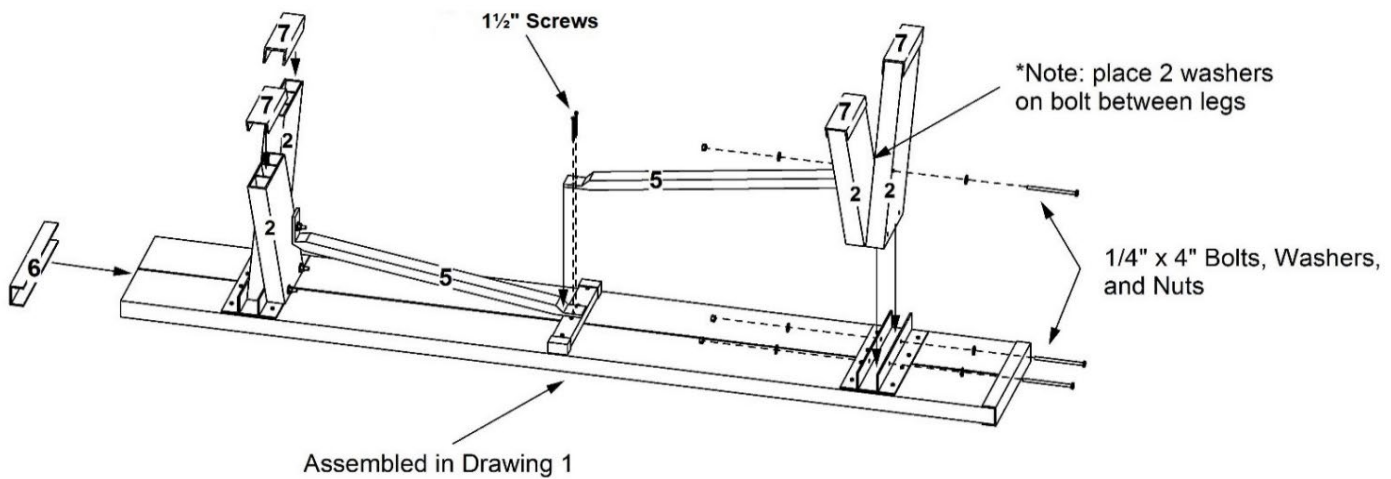
Part #	Description	Dimension	Box #	Qty
1	Seat Rail	1 ½" x 5 ½" x 72"	1	2
2	Leg	1 ½" x 5 ½" x 15 ¾"	2	4
3	Seat Bracket	10 ¾"	1	2
4	Center Brace	⅞" x 1 ½" x 10 ⅞"	2	1
5	Diagonal Brace	⅞" x 1 ½" x 24 ¾"	2	2
6	Seat End Cap	11 ⅞"	2	2
7	Leg End Cap	6"	2	4
8	Hardware Bag (Includes):		2	1
	▪ End Cap	⅞" x 1 ½"		2
	▪ Screw	1 ½"		6
	▪ Screw	¾"		16
	▪ Bolt	¼" x 4"		6
	▪ Nylon Nut	¼"		6
	▪ Flat Washer	¼"		16
	▪ Super Glue Tube			1





1 Lay out two 72" seat rails (part 1) with pilot holes facing up. Be sure wood inserts are flush with vinyl. Set two 10³/₄" seat brackets (part 3) over pilot holes at each end of seat rail, leaving 1/8" gap between rails. Using eight 3/4" screws per bracket, fasten each bracket to seat rails.

2 Apply glue to inner edges of 7/8" x 1 1/2" end cap (from hardware bag) and press on each end of 10 3/4" center brace (part 4). Set center brace over pilot holes in center of seat assembly. Using four 1 1/2" screws, fasten center brace to seat assembly.



3

Insert one 15 $\frac{3}{4}$ " leg (part 2) into bracket. Place second 15 $\frac{3}{4}$ " leg (part 2) on inside of bracket and loosely fasten with 4" bolts, washers and nuts. Set 24 $\frac{3}{4}$ " diagonal brace on inside of legs with $\frac{1}{4}$ " drilled hole against legs. Using one 4" bolt, washers and nut, fasten diagonal brace to legs.

When inserting bolt, place TWO washers in between legs. Tighten all bolts. Repeat for opposite end of bench.

4

In center of seat, overlap free ends of diagonal braces and drill two $\frac{1}{8}$ " holes through braces and into center brace. Using two 1 $\frac{1}{2}$ " screws, fasten both diagonal braces to center brace

5

Apply glue to inside edges of 11 $\frac{1}{8}$ " seat end cap (part 6). Press end cap onto ends of seat (DO NOT slide from end). Take care that end cap is flush with ends of seat and use a file to round off any sharp edges. Apply glue to inside edges of 6" leg end cap (part 7). Press end cap onto bottoms of legs(DO NOT slide from end).

Warranty Statement

20 Year Guarantee

Products are warranted to be free from manufacturing defects resulting in delaminating, peeling, flaking, corroding, cracking, crazing, or extreme amounts of fading or bleaching causing the PVC to change to its natural color for a period of 20 years from the date of purchase.

Normal weathering is defined as exposure to sunlight and extremes of weather and atmosphere which will cause any colored surface to gradually fade.

CONDITIONS NOT COVERED BY THIS WARRANTY:

- A. Physical abuse, misuse, neglect, or improper storage.
- B. Improper installation or installation not in strict adherence to the instructions written by us.
- C. This warranty does not apply if materials are painted, varnished, or coated with any substance.
- D. We are not responsible for damages to product during shipping.
- E. Damage attributable to atmospheric pollutants, hail, lightning, hurricane, tornado, wind borne objects, earthquake, fire, mildew, casualty, act of God, building or ground settlement, or subjection to stress or weight.

CLAIMS AND REMEDIES:

If a product is determined to have a manufacturing defect which is covered by this warranty, We will replace the material containing the defect (labor not included) F.O.B from the point of manufacture.

We will not be responsible for any cost incurred in the removal or re-installation of the product.

Important: All claims must be sent to the following address and should describe the defect claim.

We reserves the right to discontinue or change its design and/or color. If the original color or style is not available, We shall have the right to substitute a product designated by us.

We shall not be liable for any incidental, special, or consequential damages arising out of the use of these products.