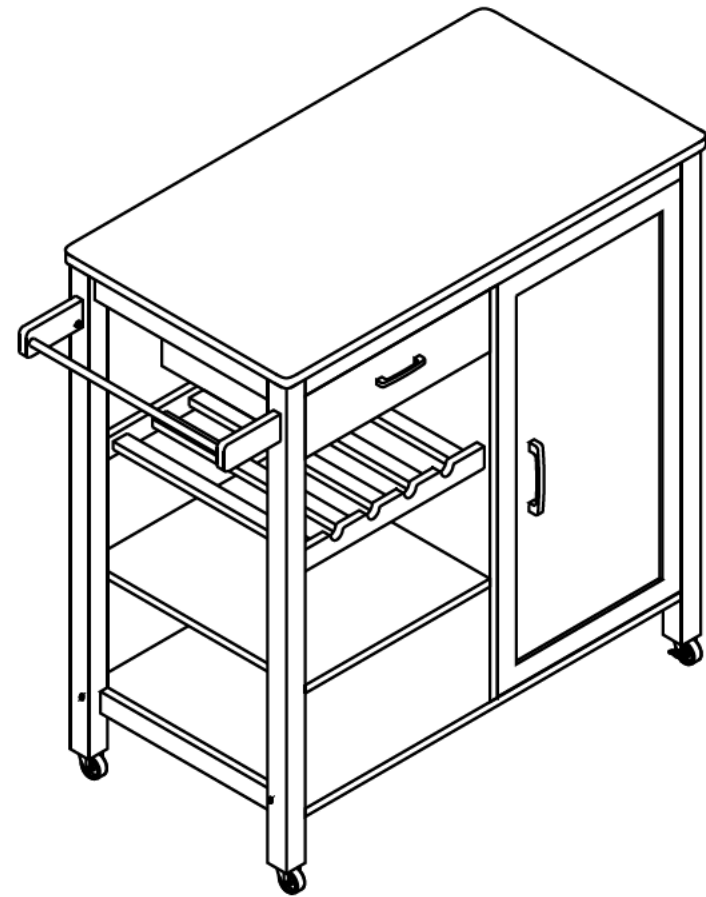
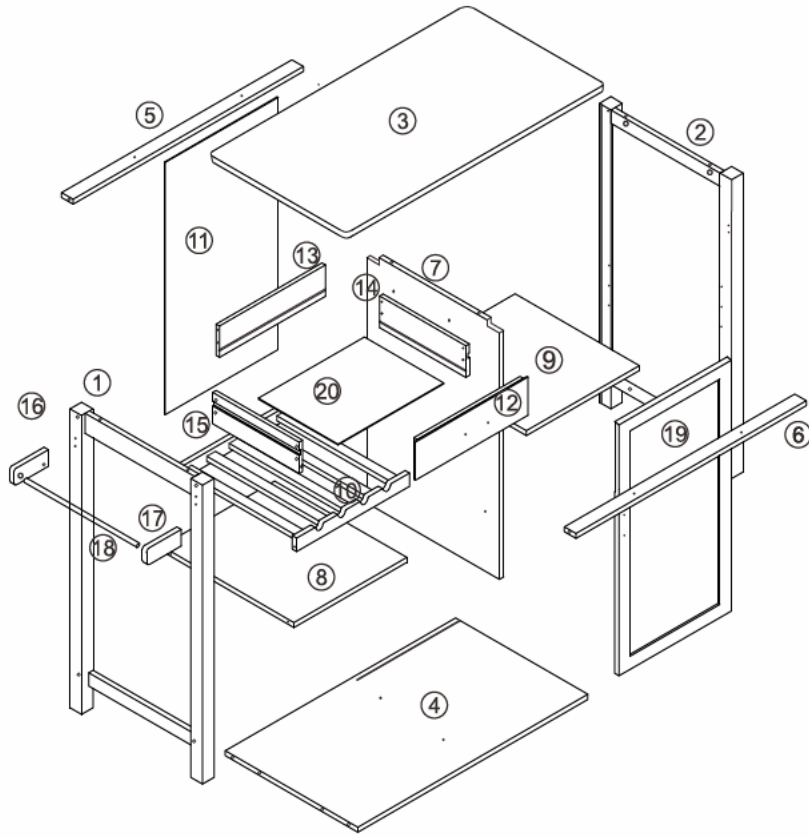


Assembly Instructions



PRODUCT ASSEMBLY



ITEM	PART	QTY	ITEM	PART	QTY
①		1PC	②		1PC
③		1PC	④		1PC
⑤		1PC	⑥		1PC
⑦		1PC	⑧		1PC

PRODUCT ASSEMBLY

ITEM	PART	QTY	ITEM	PART	QTY
⑨		1PC	⑩		1PC
⑪		1PC	⑫		1PC
⑬		1PC	⑭		2PCS
⑮		1PC	⑯		1PC
⑰		1PC	⑱		1PC
⑲		1PC	⑳		1PC

Hardware List

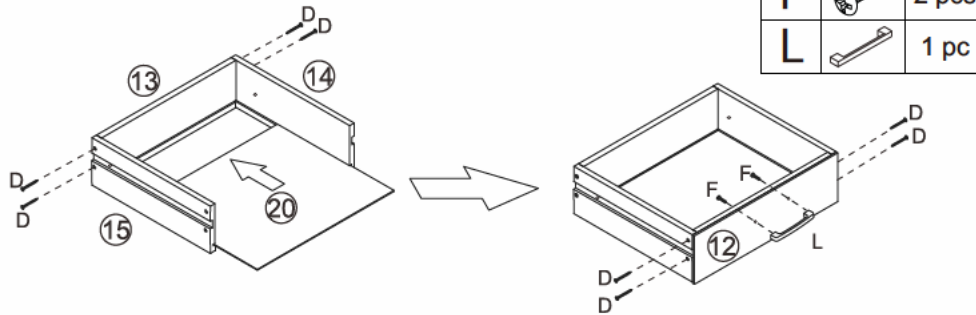
ITEM	PART	QTY	ITEM	PART	QTY
A		10PCS	B		10PCS
C		12PCS	D		14PCS
E		13PCS	F		4PCS
G		10PCS	H		10PCS
I		2PCS	J		1PC
K		1PC	L		2PCS
M		2PCS	N		2PCS
O		4PCS	P		2PCS
Q		2PCS	R		2PCS

ADDITIONAL TOOLS
(NOT INCLUDED)



PRODUCT ASSEMBLY

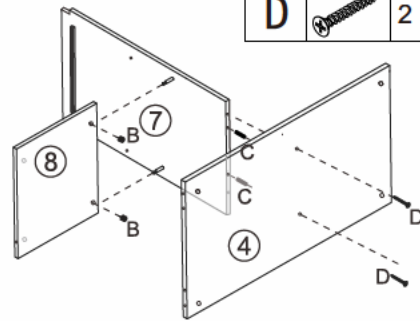
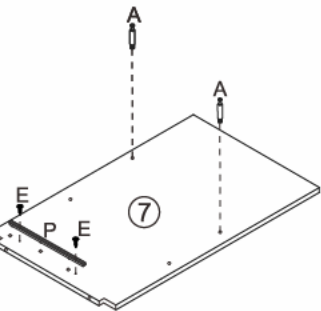
1



D		8 pcs
F		2 pcs
L		1 pc

2

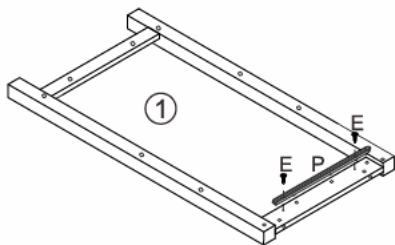
A		2 pcs
---	--	-------



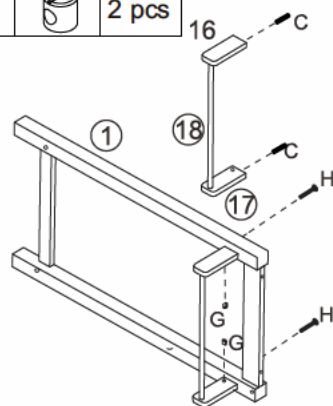
B		2 pcs
C		2 pcs
D		2 pcs

3

P		1 pc
E		2 pcs

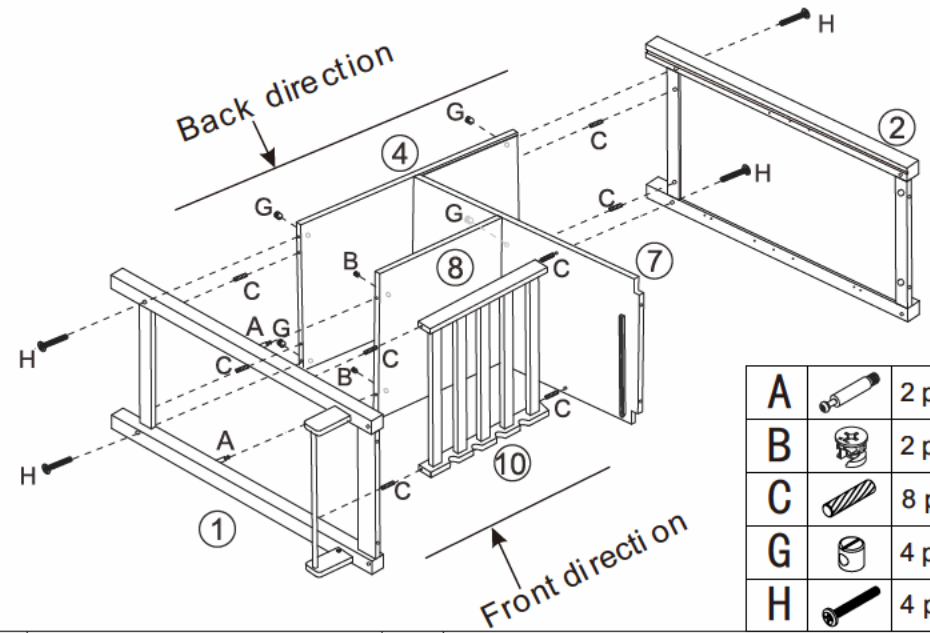


H		2 pcs
C		2 pcs
G		2 pcs



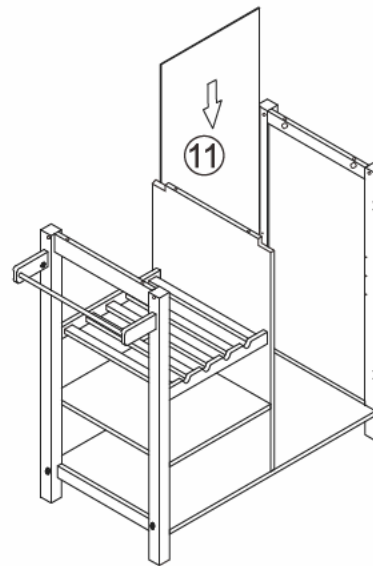
PRODUCT ASSEMBLY

4

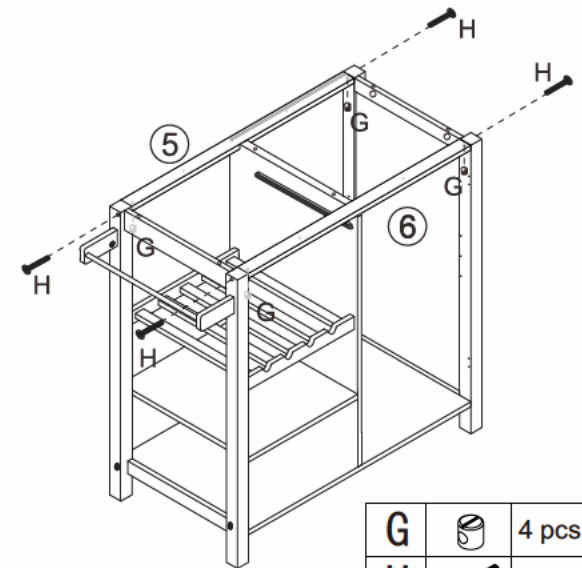


A		2 pcs
B		2 pcs
C		8 pcs
G		4 pcs
H		4 pcs

5



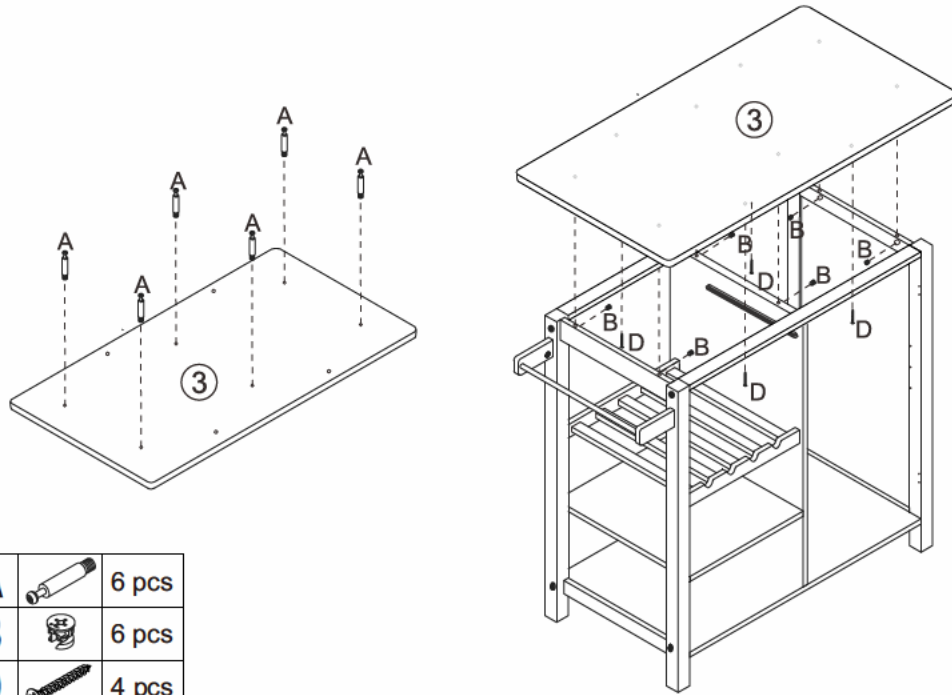
6



G		4 pcs
H		4 pcs

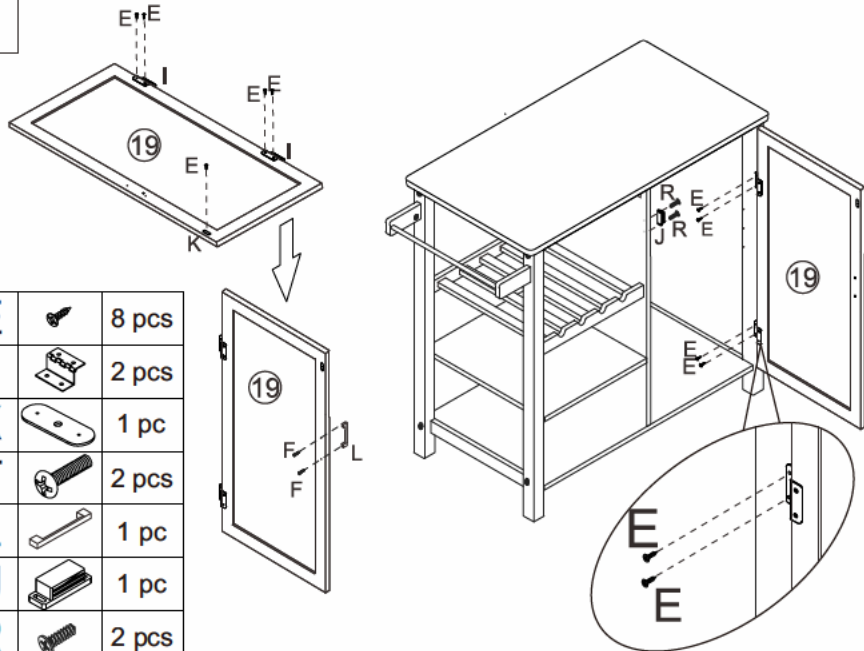
PRODUCT ASSEMBLY

7



A		6 pcs
B		6 pcs
D		4 pcs

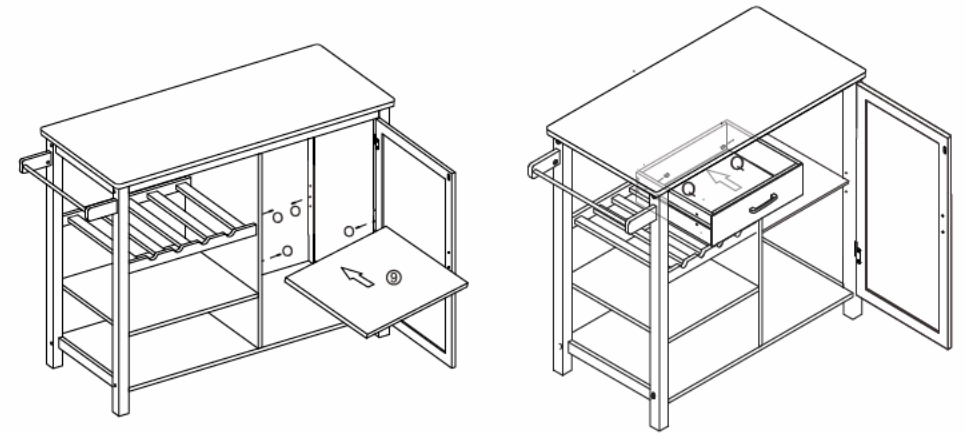
8



E		8 pcs
I		2 pcs
K		1 pc
F		2 pcs
L		1 pc
J		1 pc
R		2 pcs

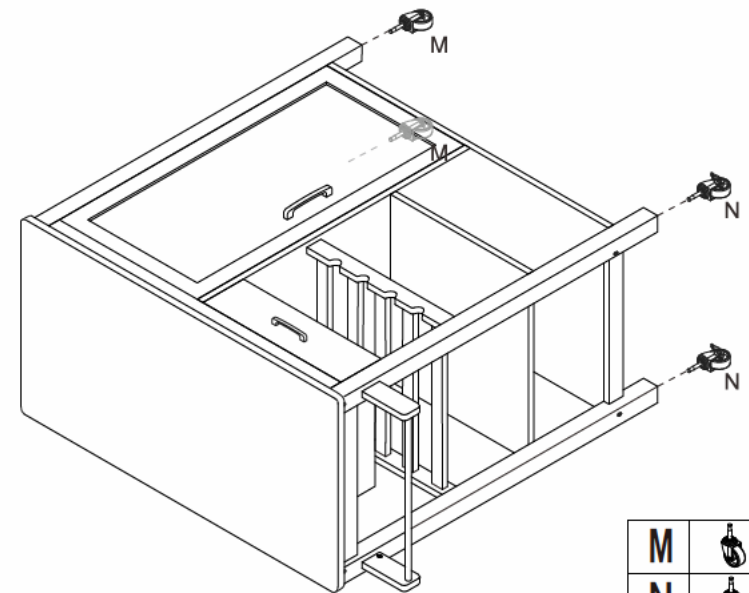
PRODUCT ASSEMBLY

9



O		8 pcs
Q		2 pcs

10



M		2 pcs
N		2 pcs