

# INSTALLATION INSTRUCTIONS

## For LED Island

### READ AND SAVE THESE INSTRUCTIONS

**WARNING! SHUT POWER OFF AT FUSE OR CIRCUIT BREAKER**  
**AVERTISSEMENT! COUPER LE COURANT AU NIVEAU DES FUSIBLES OU DO DISJONCTEU**

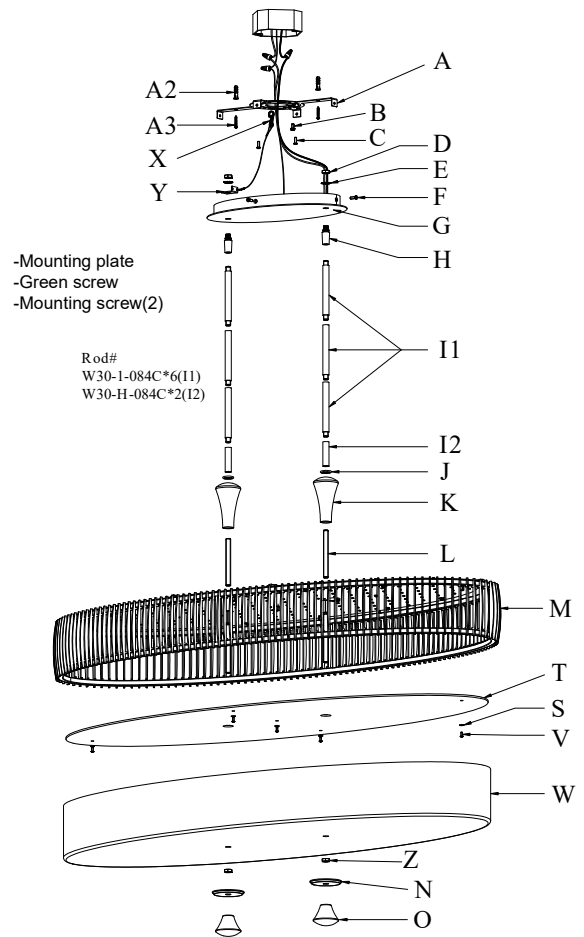
#### ASSEMBLING THE FIXTURE (Fig.1 & Fig. 3)

1. Shut off power at the fuse box or circuit breaker box and remove the old fixture including the mounting hardware.
2. Carefully unpack your new fixture and lay out all the parts in a clear area. Take care not to misplace any small parts necessary for installation.
3. Loosen hex nut (Z) and take out acrylic shade (W). Align glass panel (T) onto LED module (P) and carefully secure with screw (V) and plastic washers (S). Align acrylic shade (W) and carefully secure with hex nut (Z). (Please be careful not to lock it too tightly.)
4. Position mounting plate (A) on ceiling, and mark location of two drywall anchors (A 2). Pre-drill holes for drywall anchors (A 2) and insert drywall anchors (A 2) into ceiling.
5. Attach mounting plate (A) to junction box (not included) using mounting screws (C) (Size: 8-32\*1/2"L). The side of mounting plate marked "GND" must face out.
6. Place wood screws (A 3) through holes of mounting plate (A) and into drywall anchors (A 2) to secure mounting plate (A) on ceiling.
7. Thread all thread (L) to hex joint of fixture (M). Place decorative cover (K) to all thread (L) and secure with washer (J).
8. Fixture includes six 12" and two 6" rods. Determine desired hanging height and thread rods (I1, I2) to all thread (L). Feed fixture wire carefully through each rod.
9. Secure rod (I) to swivel (H).
10. Place canopy (G) onto the two swivels (H), and secure tightly with lock washer (E) and hex nuts (D). (Please note one of the iron sheets (Y) with safety cable needs to be added)
11. The support cable is provided to support weight of fixture while wiring. Align fixture to mounting plate (A) and attach hook (X) on end of support cable into a slot located on mounting plate (A). Carefully allow support cable to support weight of the fixture while wiring.

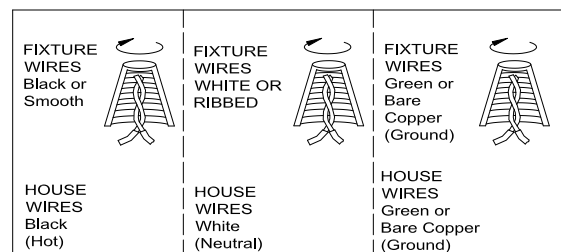
#### CONNECTING THE WIRES (Fig.2)

12. Connect the electrical wires as shown in Fig.2, making sure that all wire connectors are secured. If your junction box has a ground wire (green or bare copper), connect fixture's ground wire to it. Otherwise, connect the fixture's ground wire directly to the mounting plate (A) using the green screw (C) provided.
13. Tuck wire connectors neatly into the junction box.

**Fig.1**



**Fig.2**



### COMPLETING THE INSTALLATION

14. Align canopy (G) onto mounting plate (A) and secure with screws (F).
15. Align cap (N) to acrylic shade (W), and secure with finial (O).
16. Remove stainless steel protective film on fixture.

Your installation is now complete. Return power to the junction box and test the fixture.

**CAUTION /ATTENTION:** When handling the fixture, do not apply pressure to the LEDs. Hold the fixture by the base only.

### Replacing LED module (Fig. 3)

The LED module can be replaced by a qualified electrician without cutting of wire and without damage to any decorative element to which the fixture is attached. See installation steps for more details (Fig.3,)

**Warning: Turn off power at the circuit breaker before replacing LED module.**

- a. Shut off the power.
- b. Remove screws (F) and remove wire connectors and place fixture body on a clean flat surface.
- c. Loosen finial (O), and remove cap (N). Loosen hex nut (Z), and remove acrylic shade (W).
- d. Loosen screws (V) rubber washers (S) and remove glass panel (T).
- e. To disconnect LED module: Loosen hex nut (R), studs (Q), screws(U), rubber washers (S). Press button of quick connector (A1) on LED module with screw driver to disconnect wire and carefully remove LED module (P).
- f. Reverse steps a - e for installing new LED module (P) (Fig.3).

Note: The LED module should be provided by a specified supplier.

**IMPORTANT:** Fixture should be installed by a qualified electrician to ensure proper wiring and installation.

**Dimmable with ELV and/or LED compatible wall dimmer switches.**

**Fig.3**

