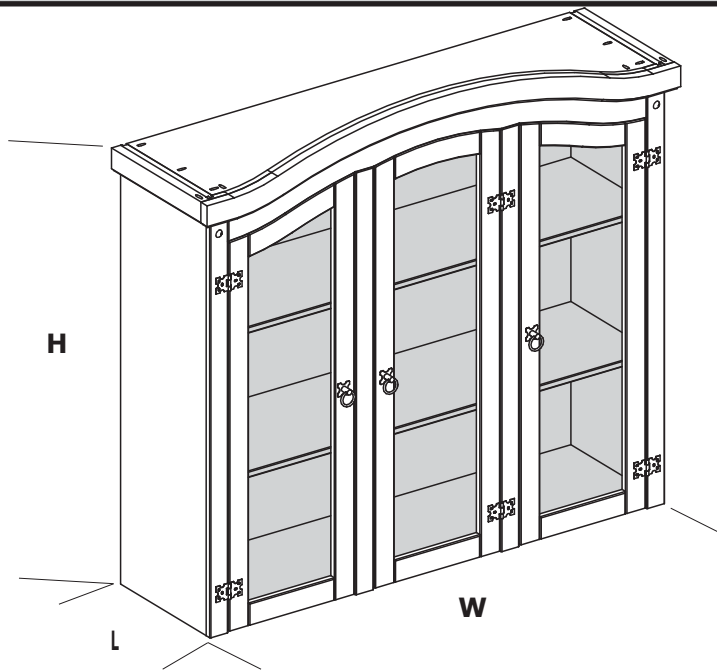


# Assembly Instructions



Assembled Dimensions  
**L** Length : 38cm  
**W** Width : 122cm  
**H** Head Height : 120cm

**PLEASE NOTE : CHECK ALL PARTS BEFORE ASSEMBLING**  
**ONCE ASSEMBLED THIS ITEM CANNOT BE RETURNED UNDER THE APPROVAL GUARANTEE**  
**THIS PRODUCT IS BUILT VERTICALLY - PLEASE BUILD WHERE IT WILL BE USED.**

### Follow Me

- FIRST: Check that the assembled product size will fit in its required location. Take into account ceiling height clearance & door frame widths, if the unit is not being assembled close to its final location
- SECOND : Check that you have enough floor area to complete the assembly
- THIRD: Retain your packaging until you have checked that ALL the parts are in the packs.
- FOURTH :Sort out the parts and fittings as shown, assemble product step by step
- It is preferable to rest the product on a soft surface to avoid damage during assembly
- Do not over tighten screws and fittings.
- Re-Tighten all screws and fitting periodically.

### Guide Me

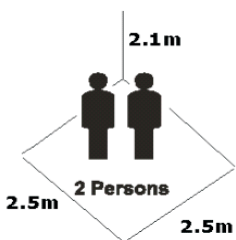
Multi-Pack Table  
 COMPONENT Pack NO

<b>BOX: 1 / 1</b>	
- FITKIT	- BACK = 3x
- AI	- SHELF = 2x
- LEFT SIDE PANEL = 1x	- VERTICAL LANE = 2x
- RIGHT SIDE PANEL = 1x	- SIDE HAT = 2x
- BOTTOM = 1x	- FRONT HAT = 1x
- TOP PANEL = 1x	- SIDE GLASS = 2x
- FRONTAL UPPER LANE = 1x	- CENTER GLASS = 1x
- LEFT DOOR = 1x	
- RIGHT DOOR = 1x	
- CENTER DOOR = 1x	

Replacement packs cannot be provided without Component pack number and the part number / description

### Show Me

No of People  
 to Assemble



Approx Assembly  
 Time



Preparation  
**Flor Space 2.5 x 2.5m**  
**Height 2.1m**

### TOOLS REQUIRED

Tape Measure



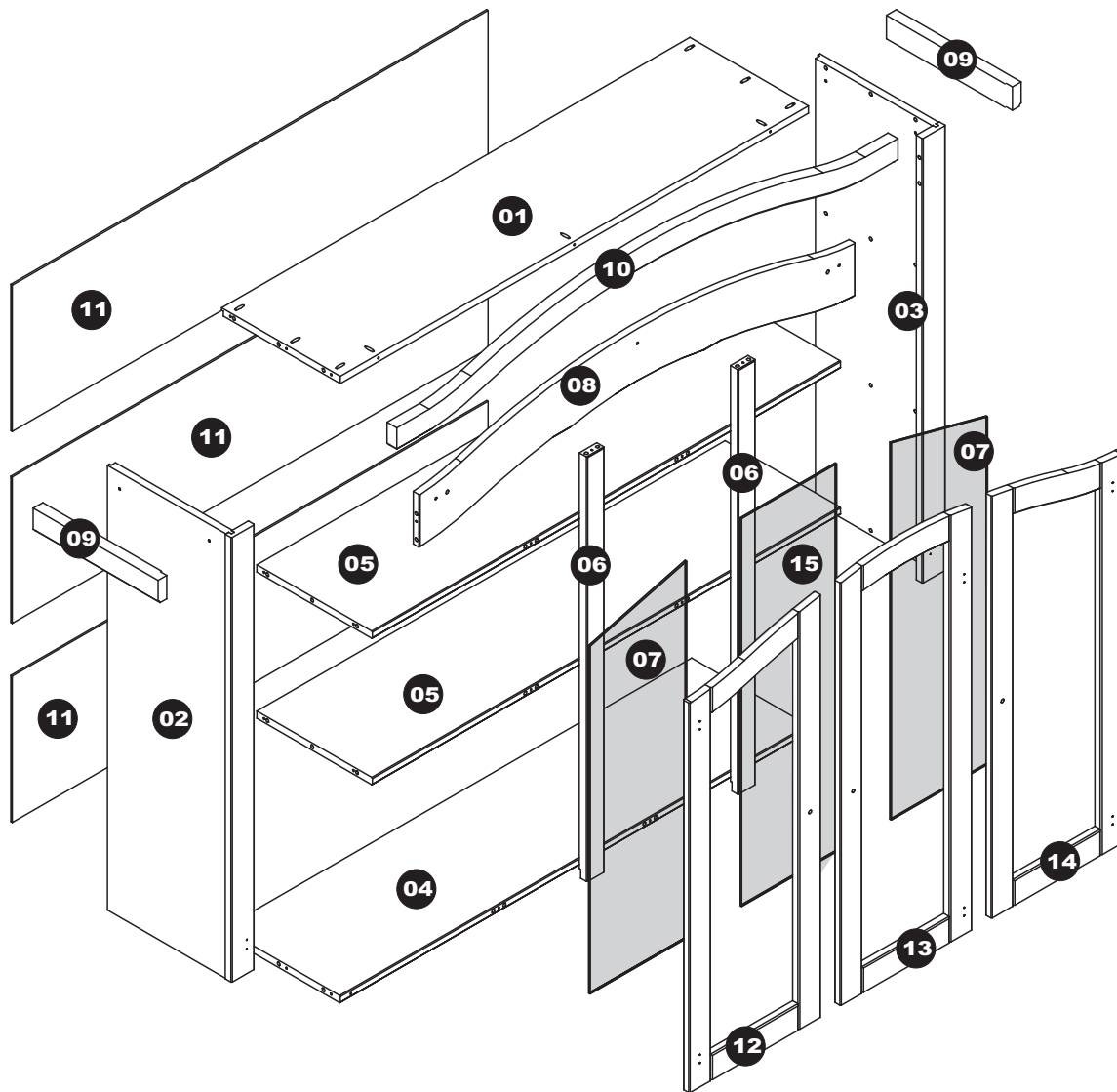
Pozi No 2

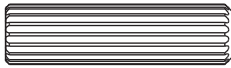

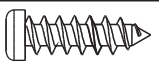

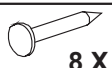


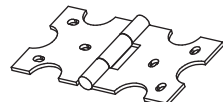


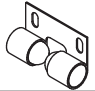

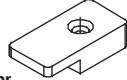

Recycling- the packaging materials for this product may be recycled through your local recycling centre. When you want to dispose of the product it self, please consider donating it to a local charitable organization, otherwise recycle it through your local recycling centre.

**IMPORTANT: READ CAREFULLY AND RETAIN FOR FUTURE REFERENCE**

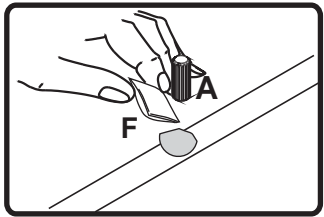
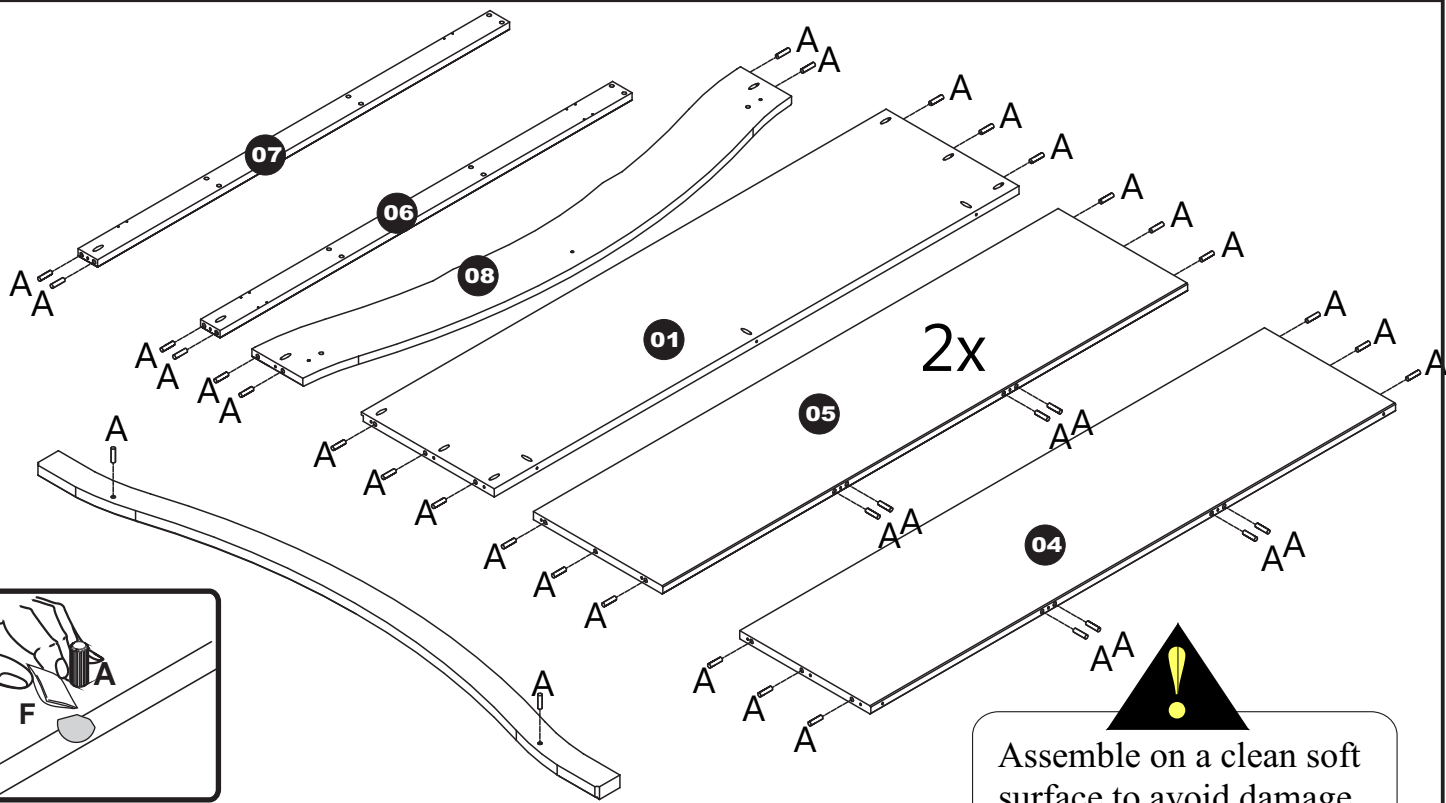
Please refer to the "Hometime" care leaflet enclosed for information regarding the maintenance and use of your product.  
 For Domestic Use Only



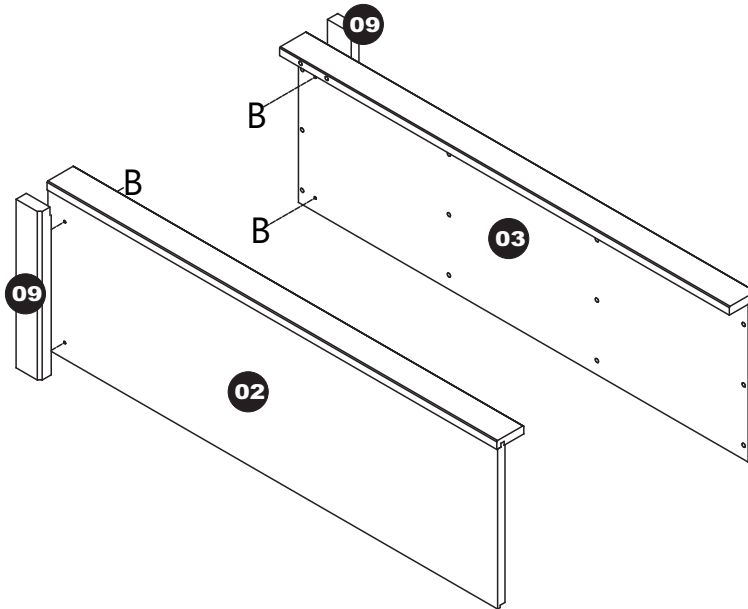
<b>A</b>	 8,0x25	<b>46</b>
<b>B</b>	 4,5X28	<b>36</b>
<b>C</b>	 3,5X14 prt	<b>66</b>
<b>D</b>	 3,5X25	<b>04</b>
<b>E</b>	 8 X 8	<b>64</b>
<b>F</b>	 20g	<b>01</b>
<b>G</b>		<b>03</b>
<b>H</b>		<b>06</b>

<b>J</b>	 prt	<b>03</b>
<b>K</b>	 prt	<b>03</b>
<b>L</b>	 mr	<b>18</b>
<b>M</b>		<b>02</b>

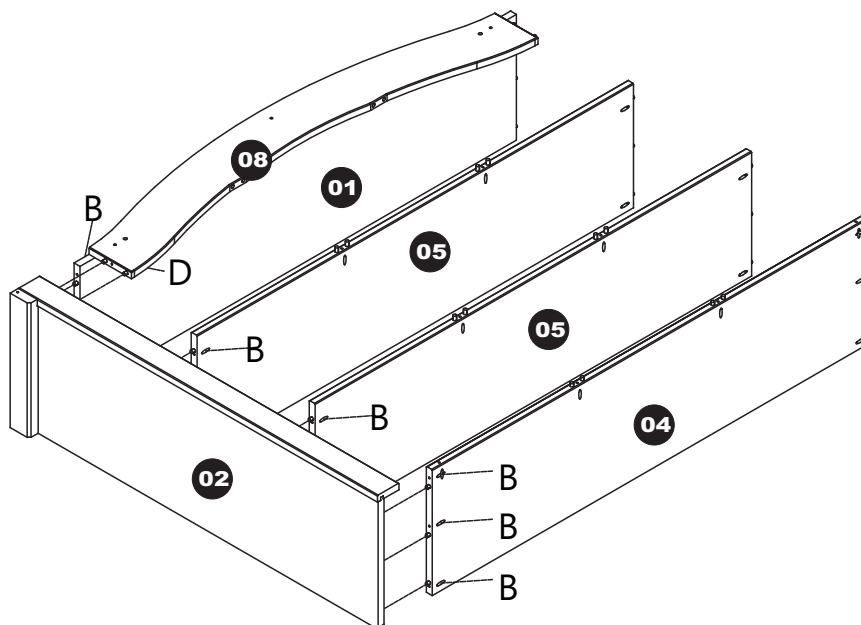
# 01



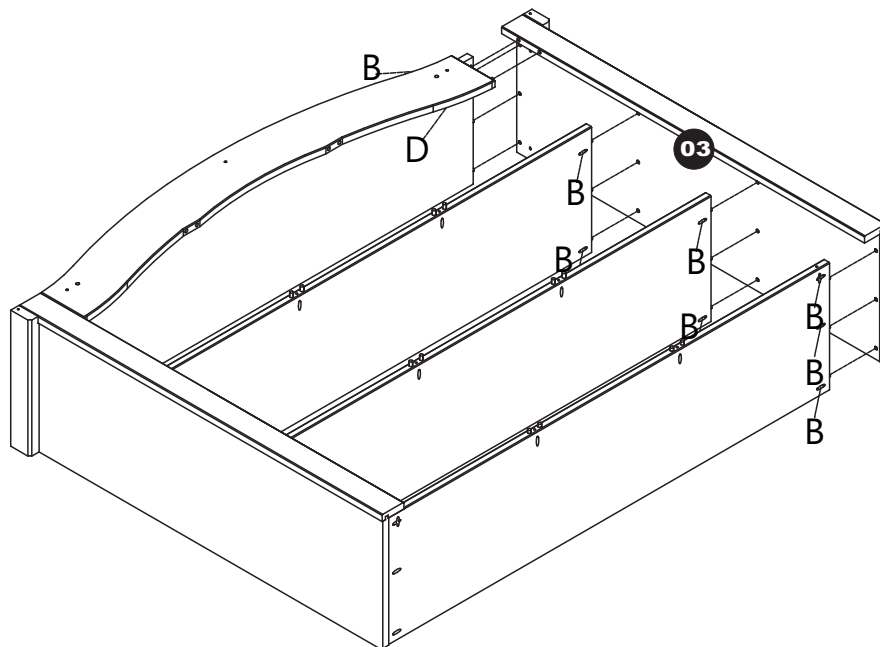
# 02



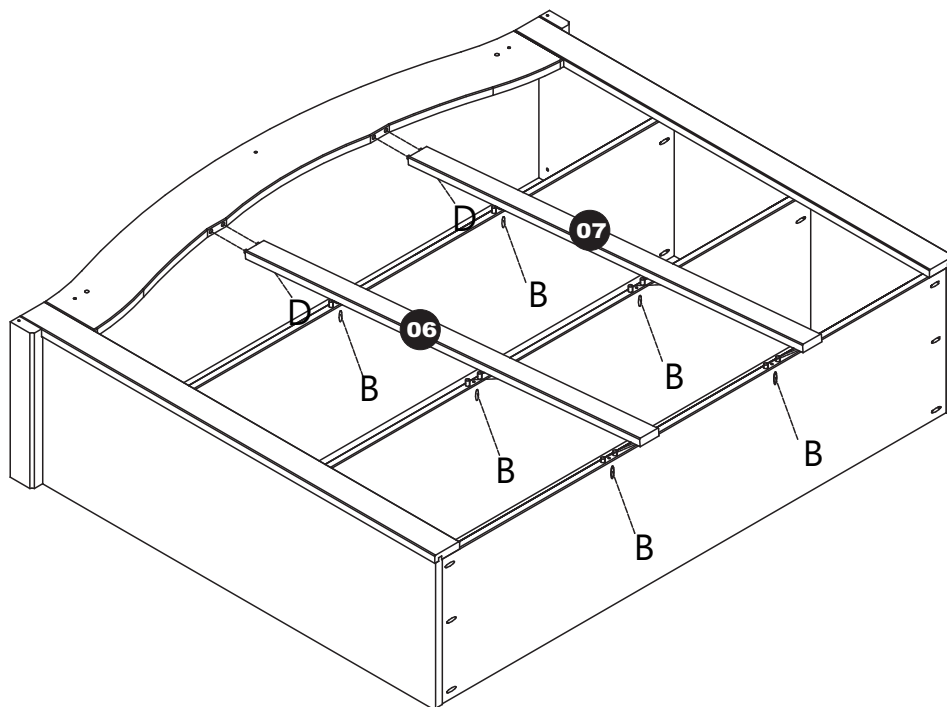
# 03



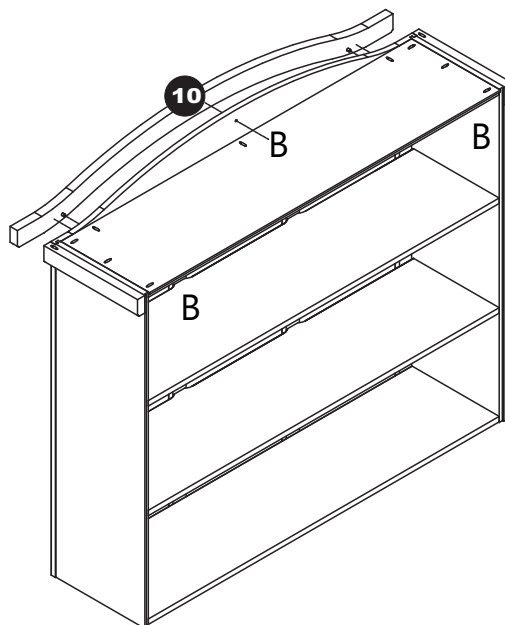
# 04



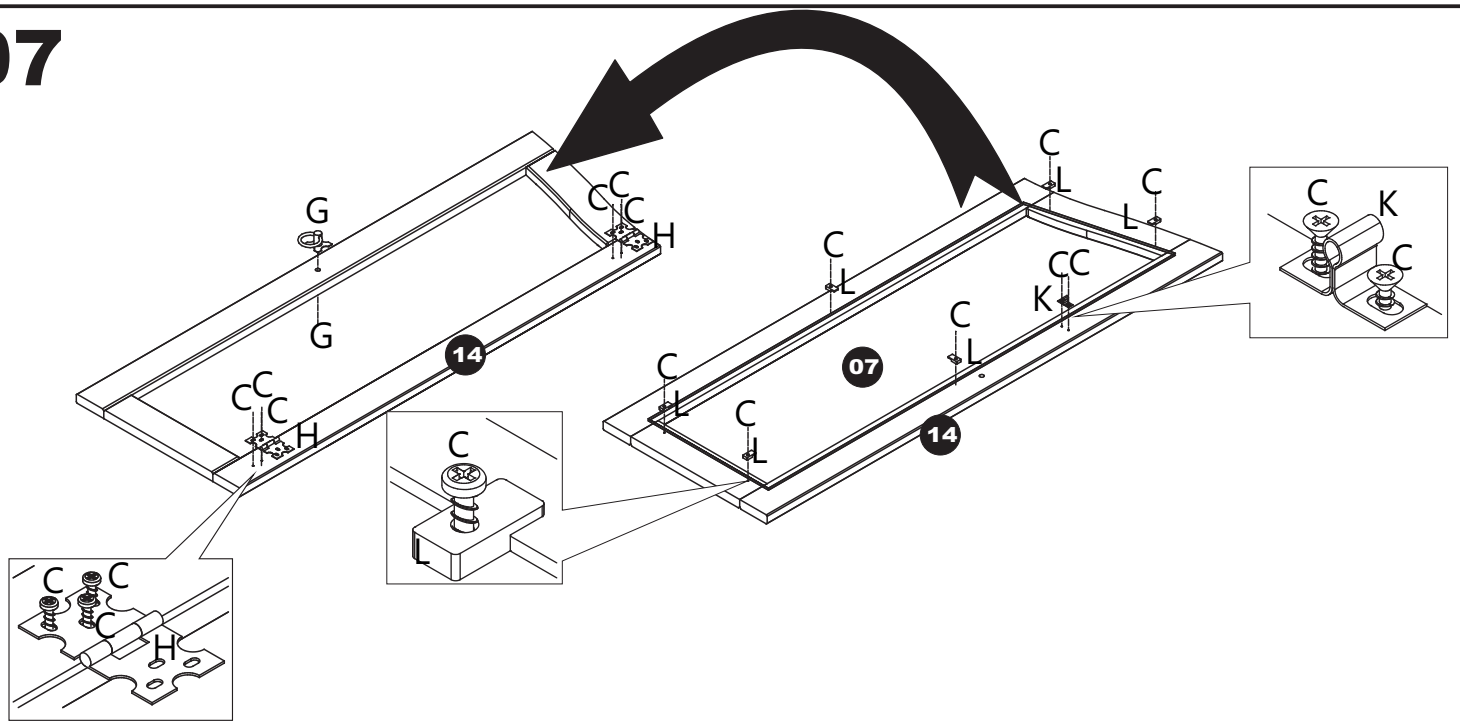
# 05



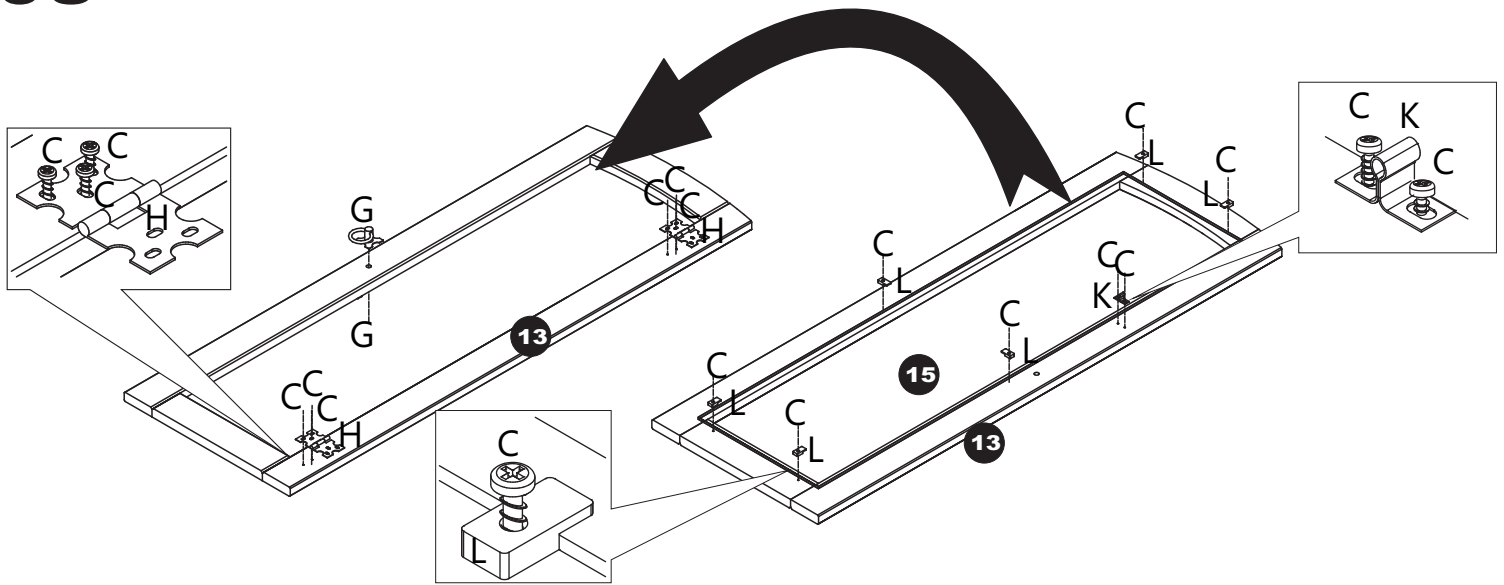
# 06



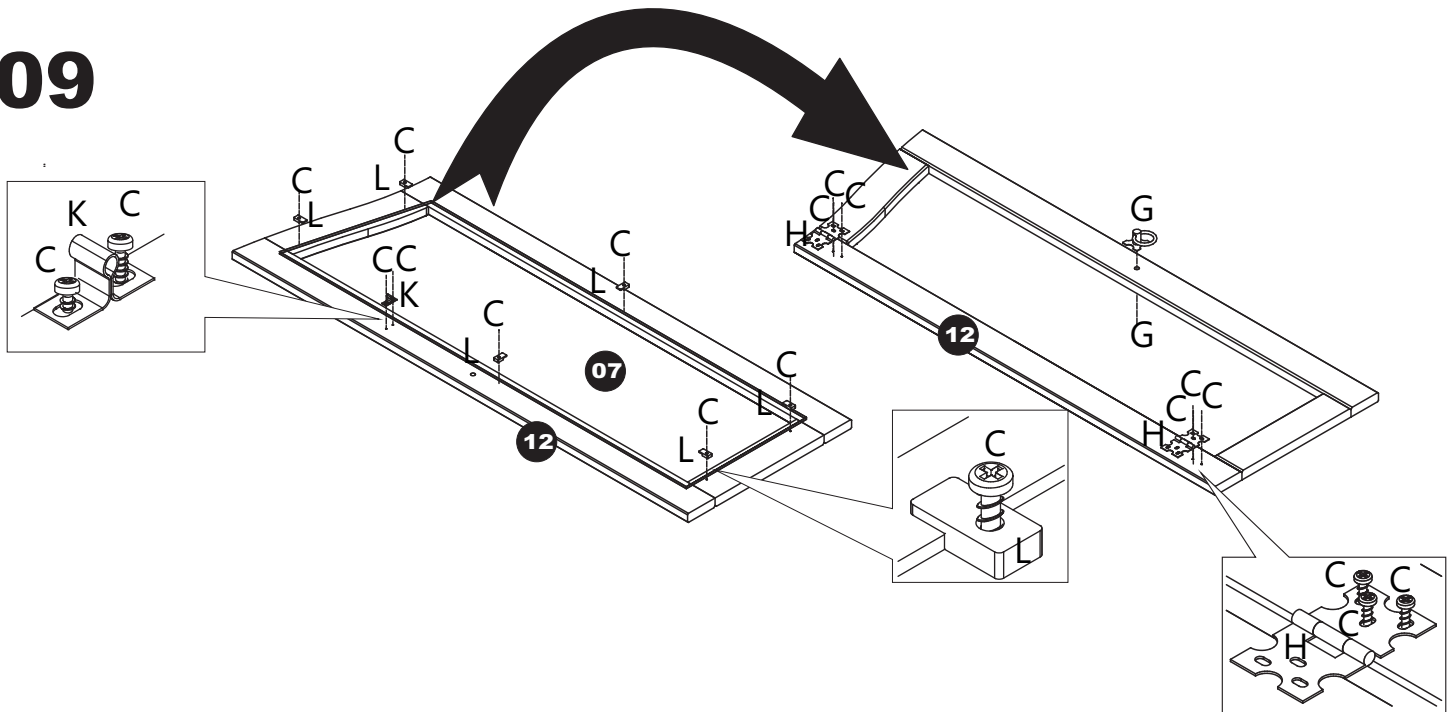
# 07



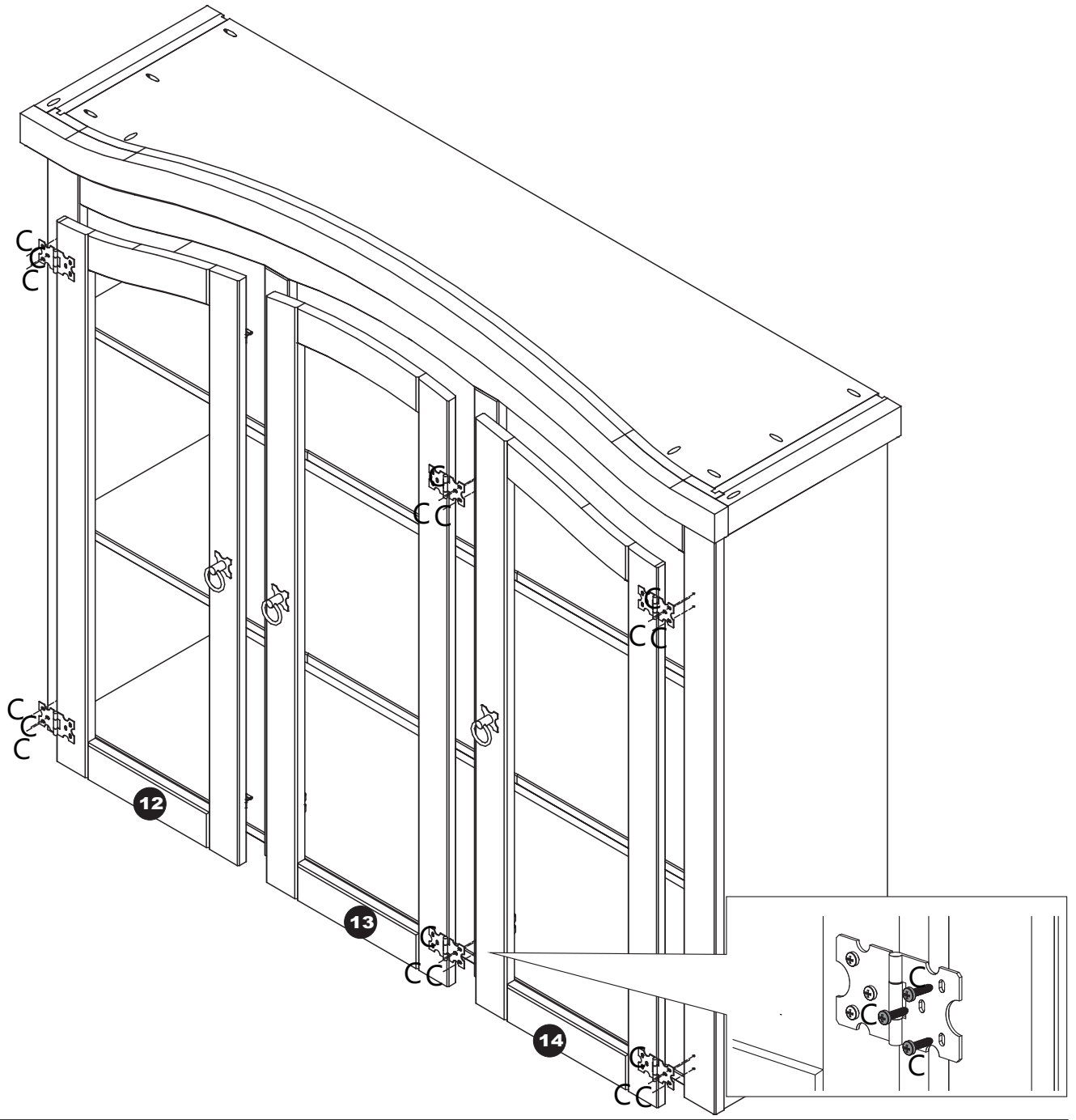
# 08



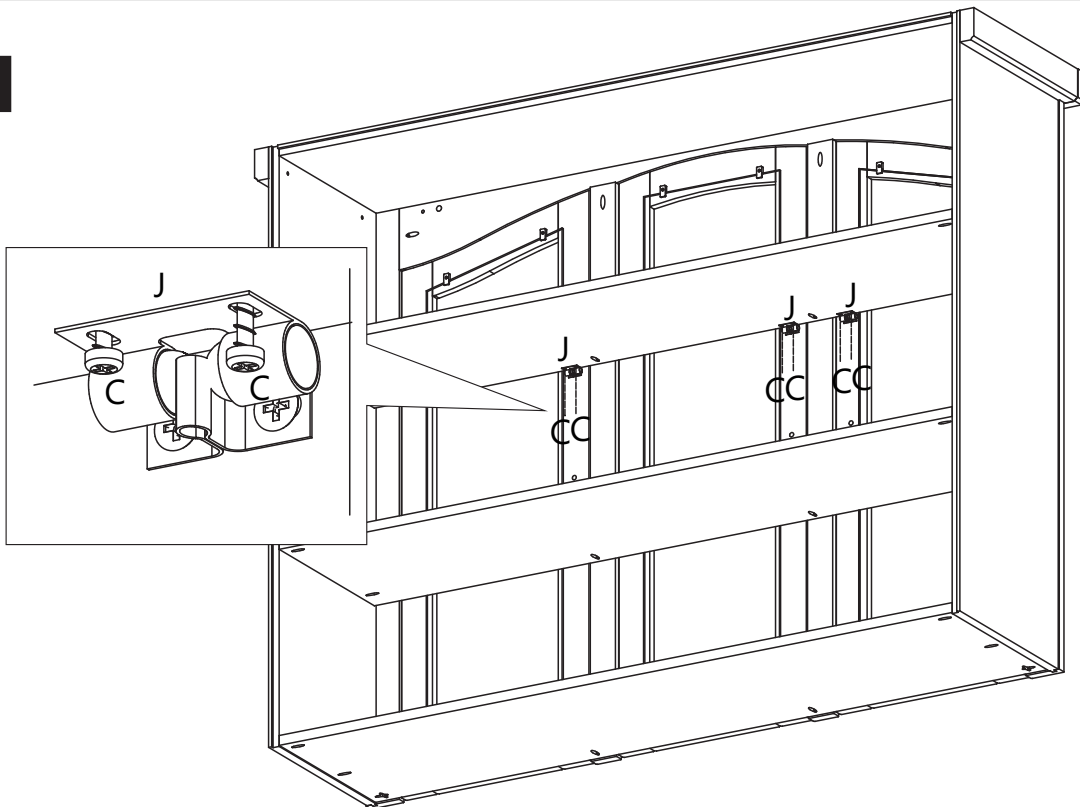
# 09



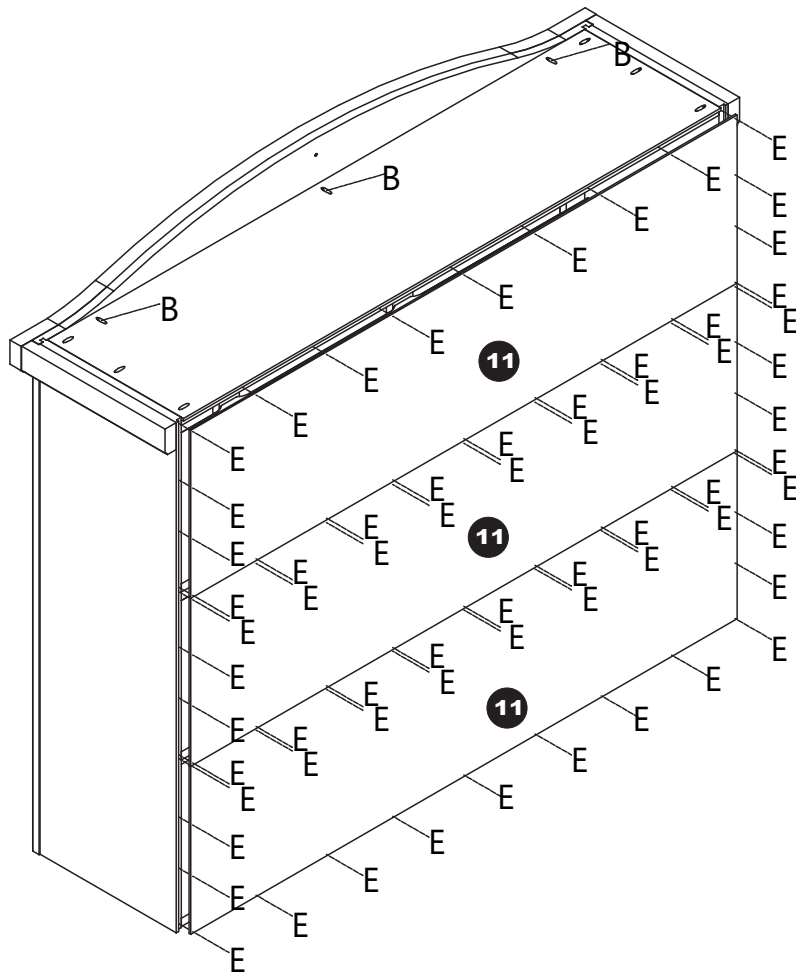
# 10



# 11



# 12



# 13

