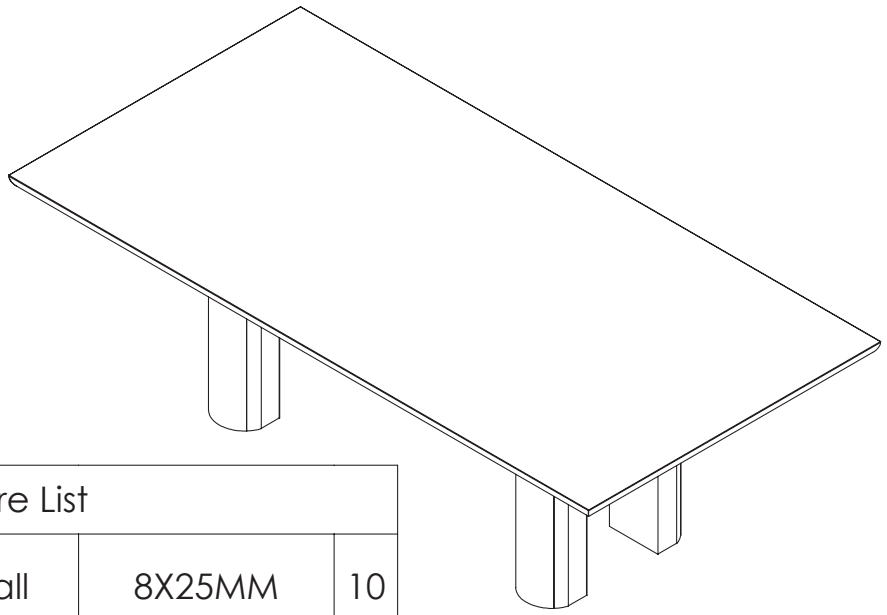



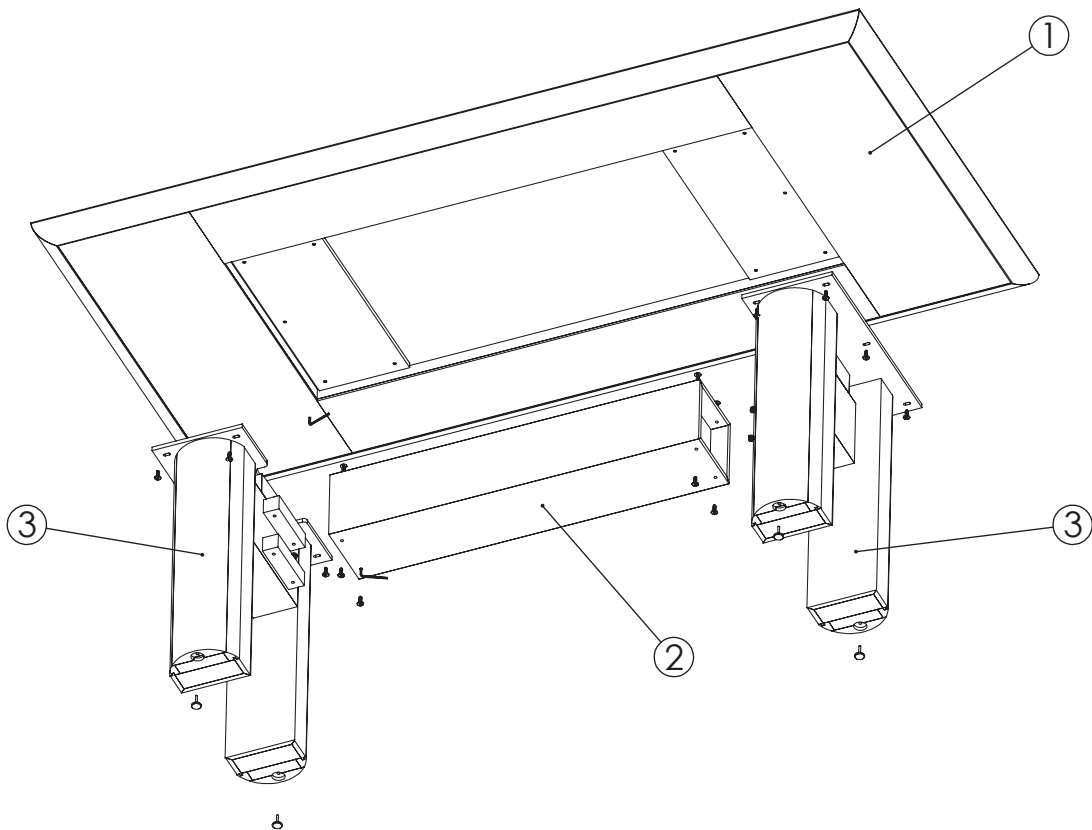


# ASSEMBLY INSTRUCTION FOR BAKER - DINNING TABLE 94"

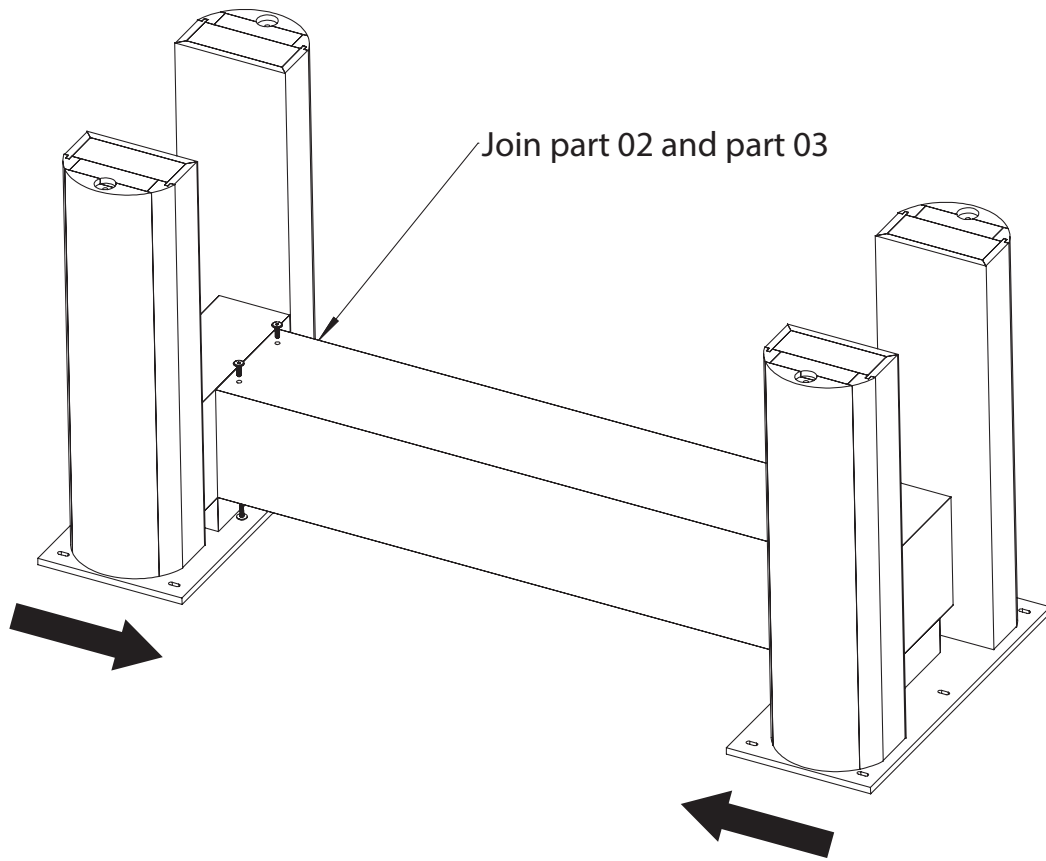


## Hardware List

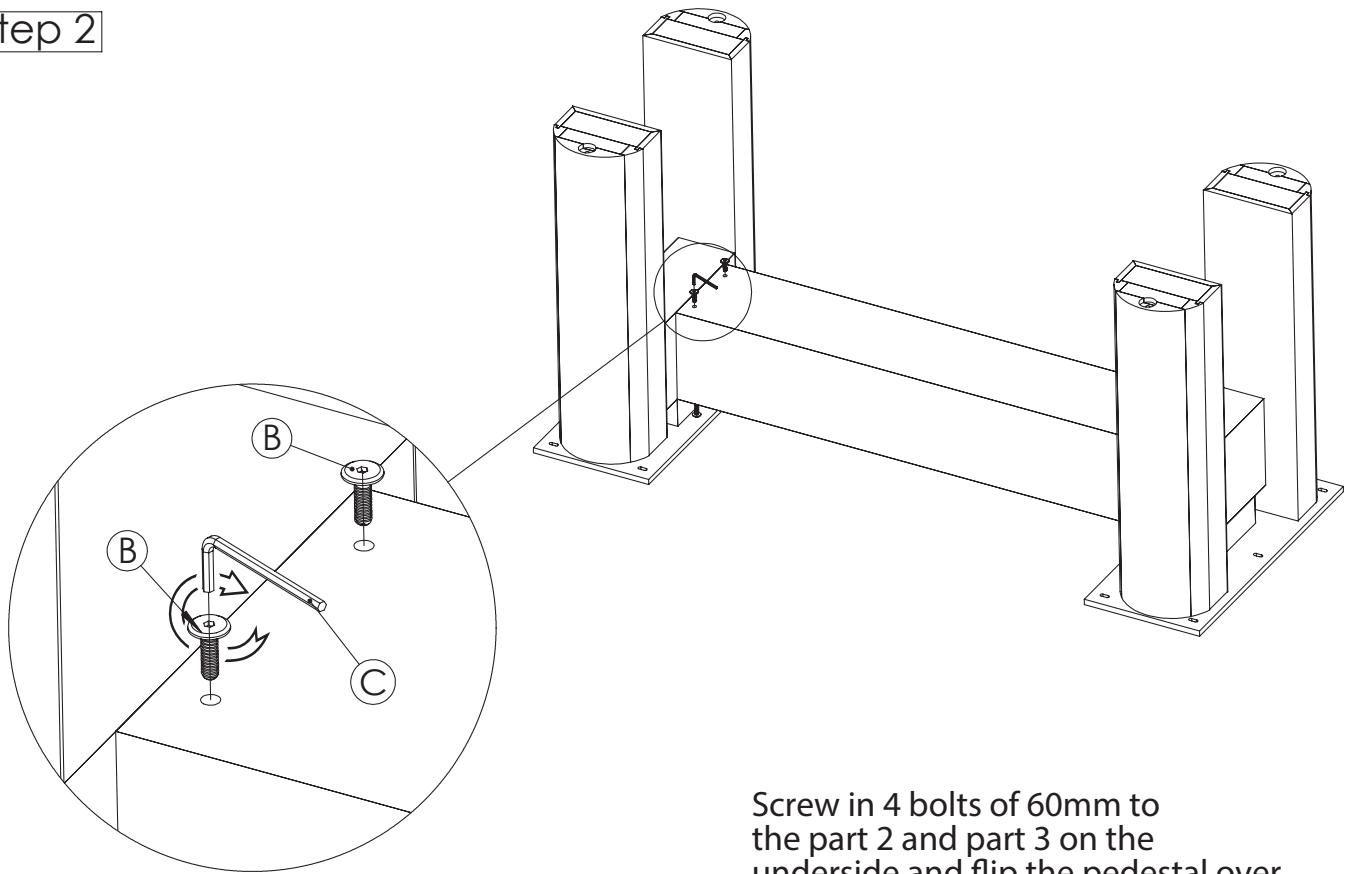
Hardware List				
A		Bolt Small	8X25MM	10
B		Bolt Large	8X60mm	8
C		Allen Key	4 mm	1



Step 1

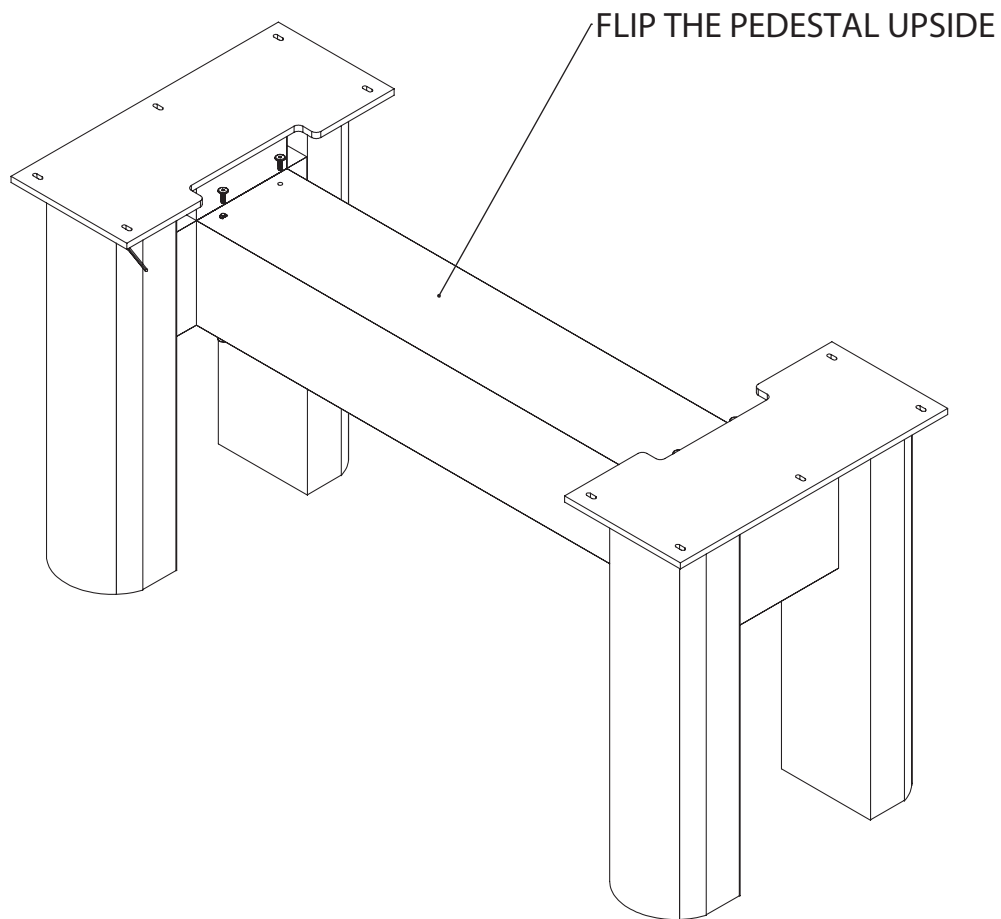


Step 2

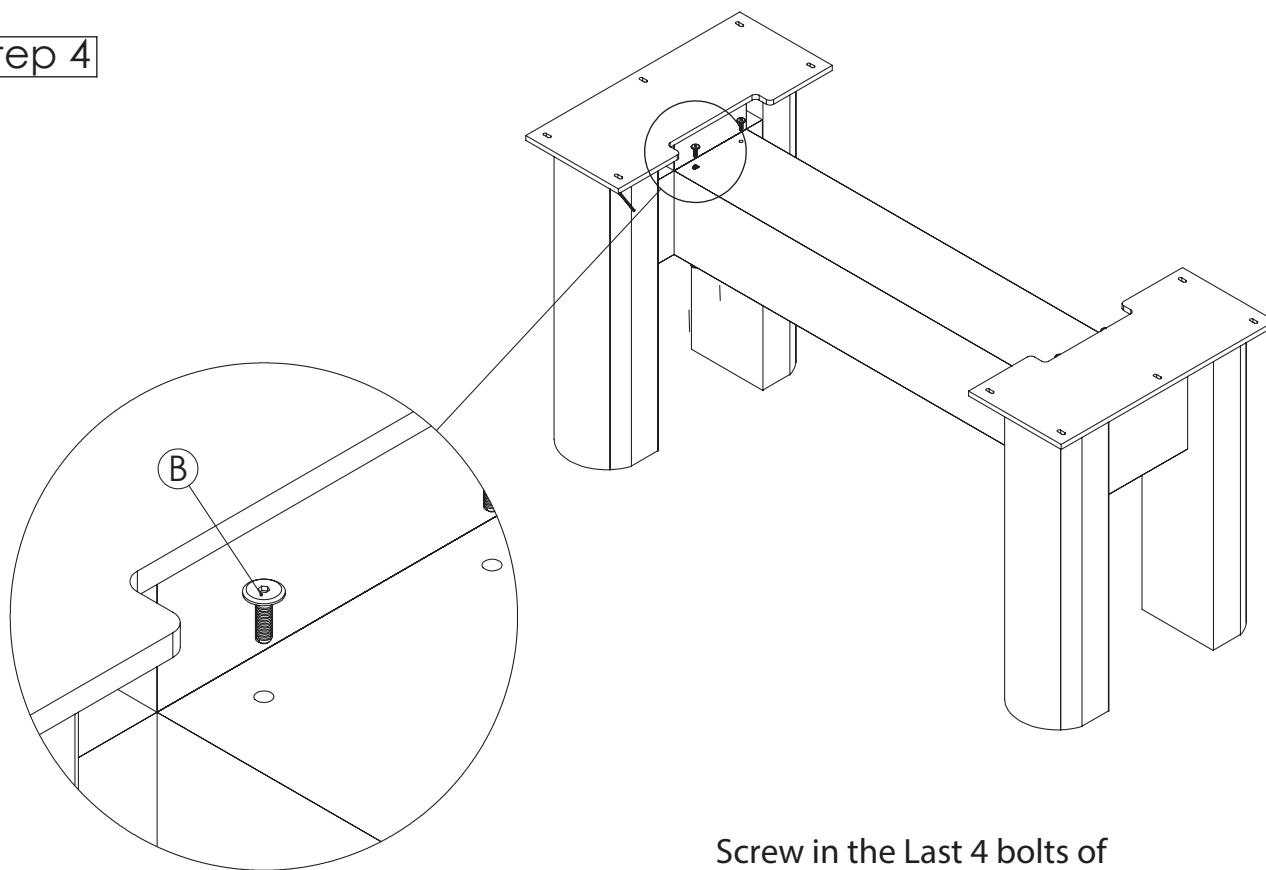


Screw in 4 bolts of 60mm to the part 2 and part 3 on the underside and flip the pedestal over.

Step 3



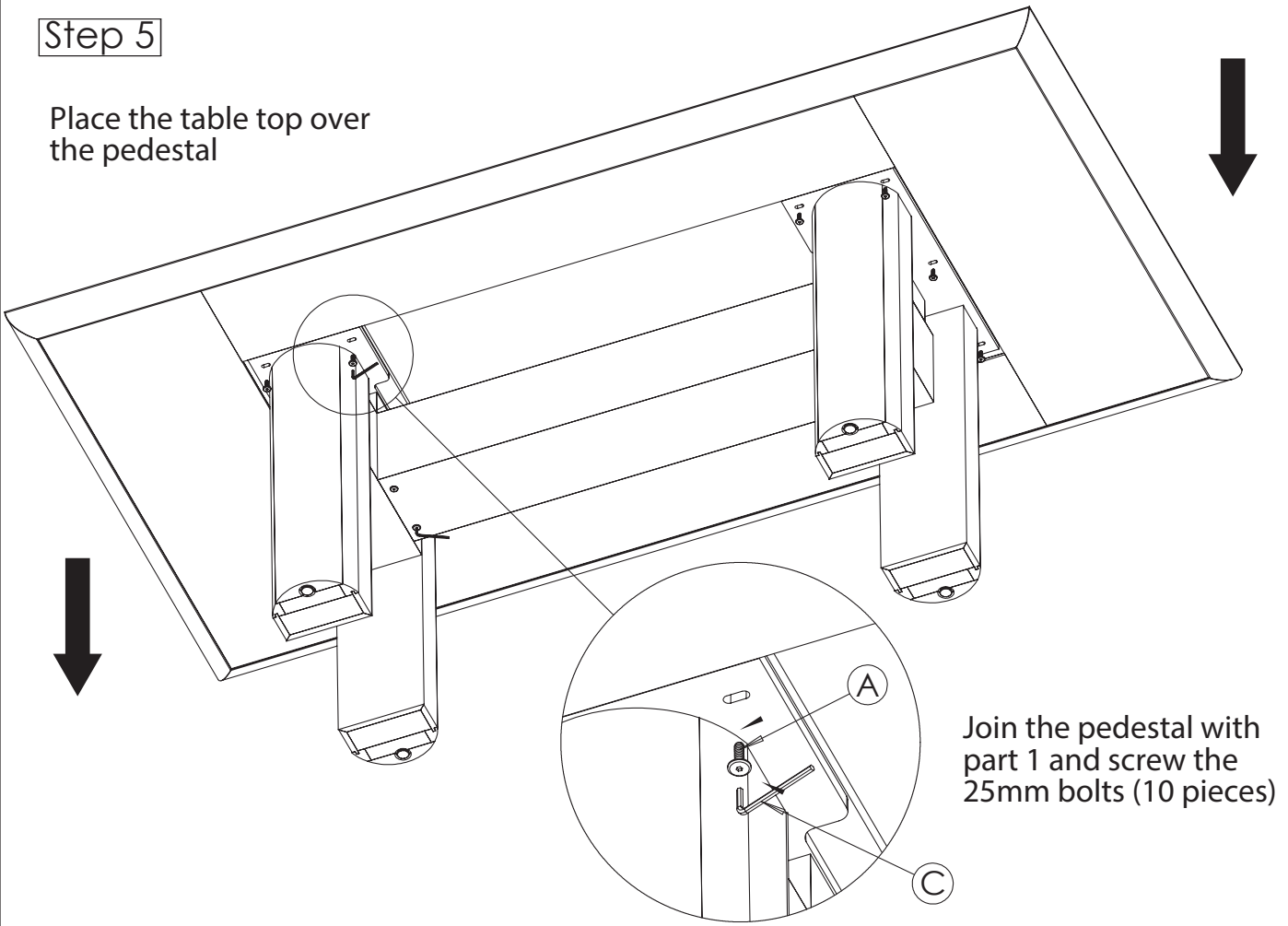
Step 4



Screw in the Last 4 bolts of 60mm to the part 2 and part 3 on the over side

### Step 5

Place the table top over the pedestal



### Step 6

