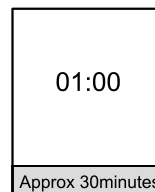
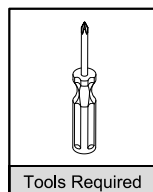
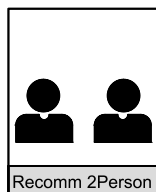
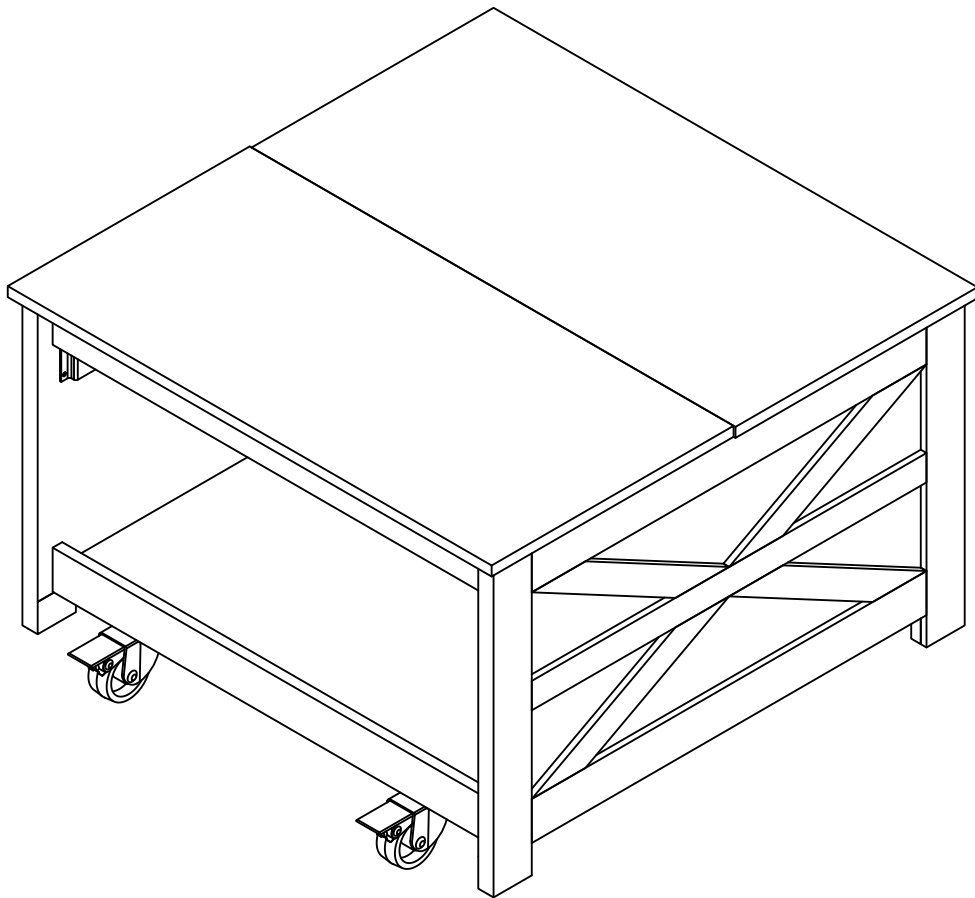


Assembly Instruction

Lift top coffee table

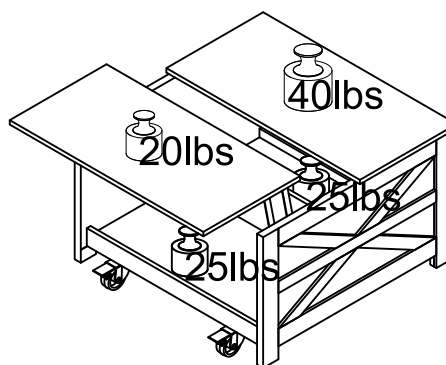
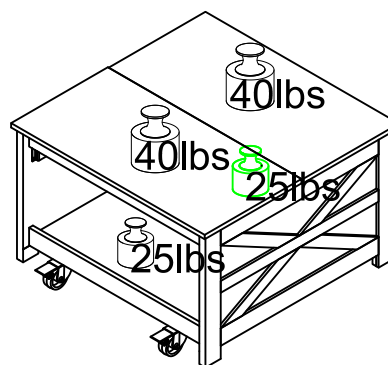
Model No.:EJ-LRF014



Recommended Maximum Weight



WARNING



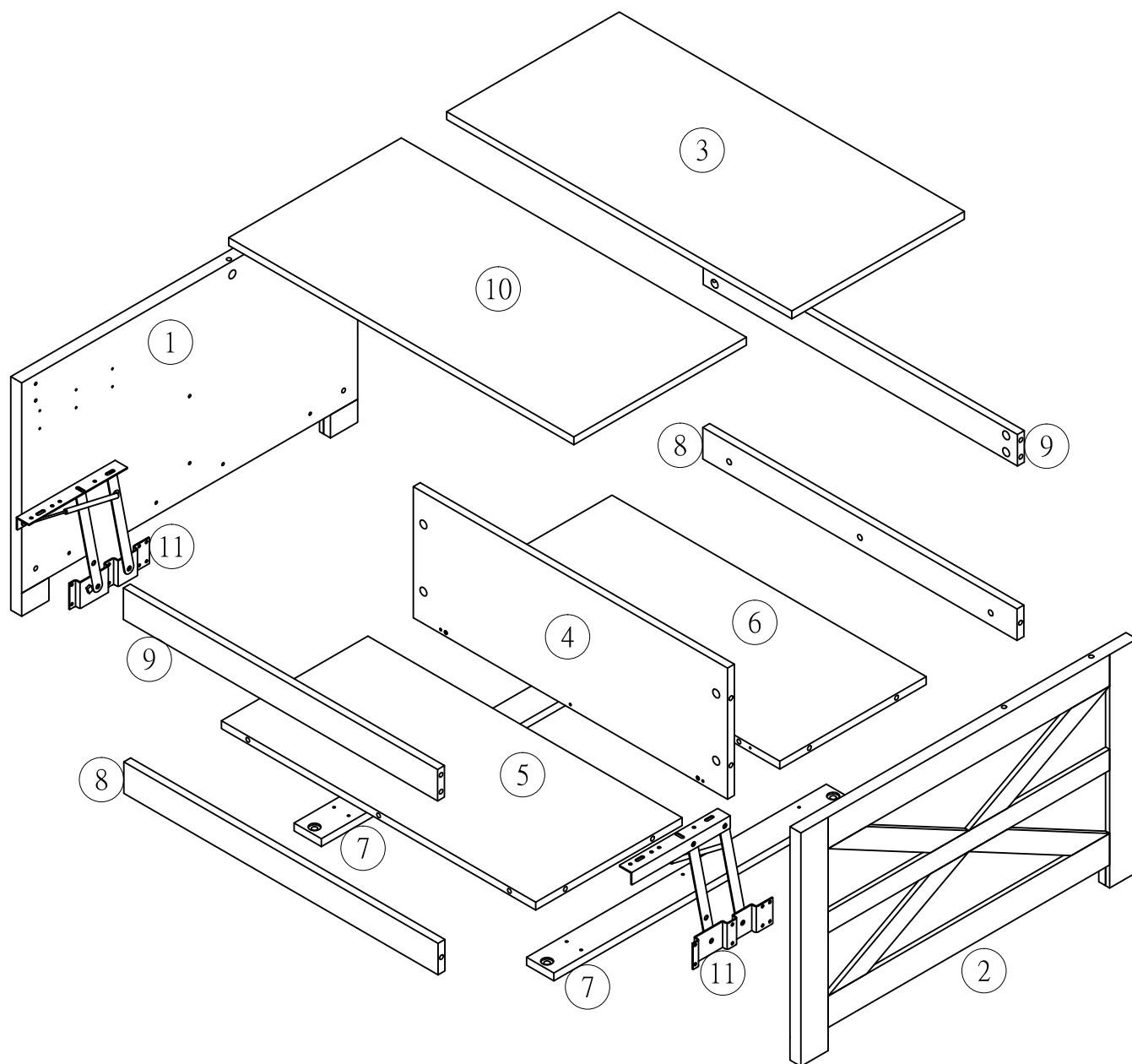
Read all instructions before using this product.

1. This unit has been designed to support the maximum loads shown. Exceeding these load limits could cause sagging, instability, product collapse, and/or serious injury.
2. Avoid sharp objects and corrosive chemicals to prevent damage to the product or bodily injury.
3. Not intended for use in humid environment to prevent mildew, such as bathrooms, laundry areas and similar indoor locations. Do not use outdoors.
4. Don't allow anybody stand or climb on the unit. Serious or fatal crushing injuries can occur from furniture tip over. To prevent tip over this furniture must be used with the wall attachment devices provided.



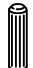
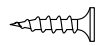

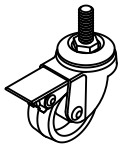




Useful Hints before you start:

1. Place soft packaging material on the floor to protect surface of product during assembly work.
2. It is important that each step is performed in correct order to avoid difficulties.
3. Align all screws with corresponding pre-drilled holes first and tighten.
4. Screws may become loose during long-term use, retighten them to ensure stability and security.
5. Using incompatible hardware might cause damage to product.

Parts Identification

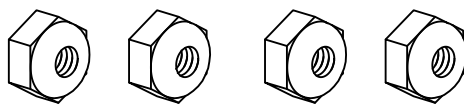
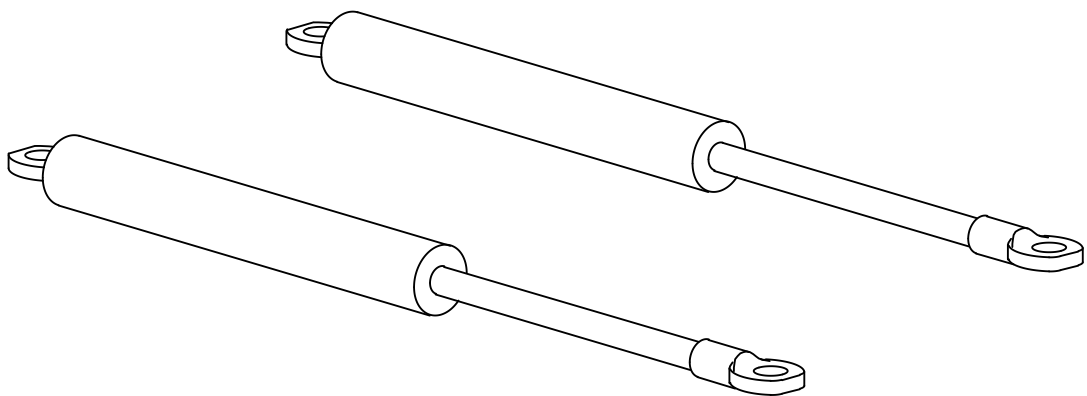
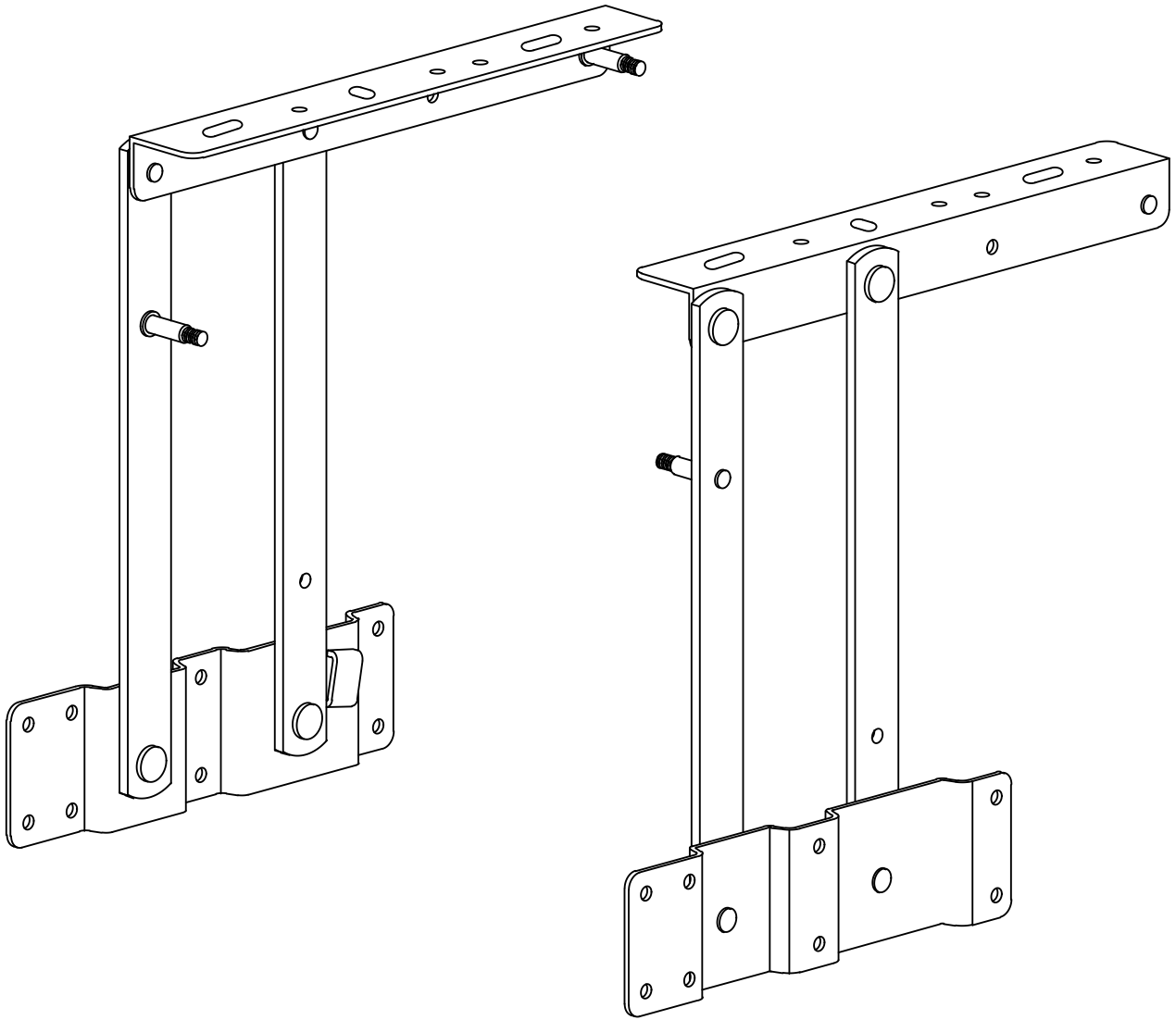


Hardware Identification

 A*33+2	 4x25 B*8+1	 Ø8x30 C*6+1	 4x16 D*20+2	 Ø20 E*4	 F*4
 4x40 G*6+1	 Ø10 H*4	 10mm I*1	 14mm J*1		

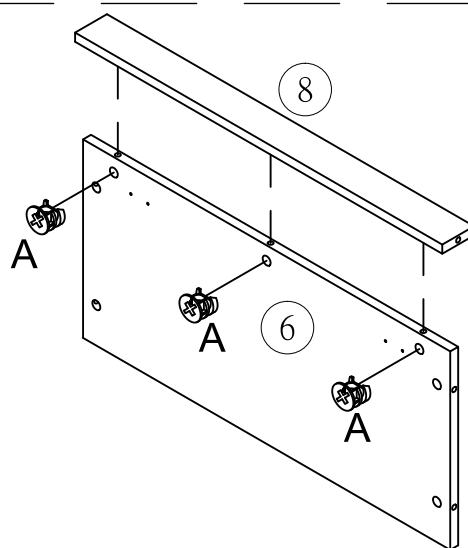
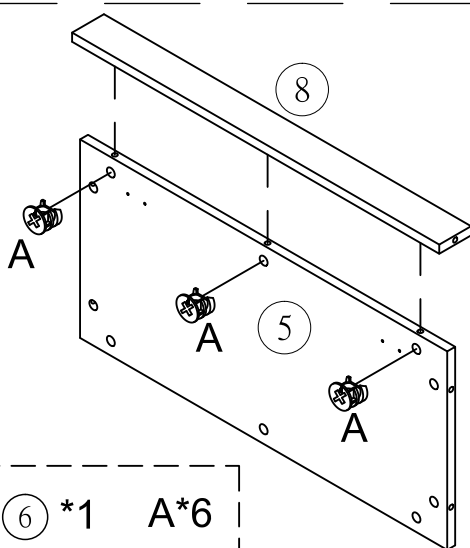
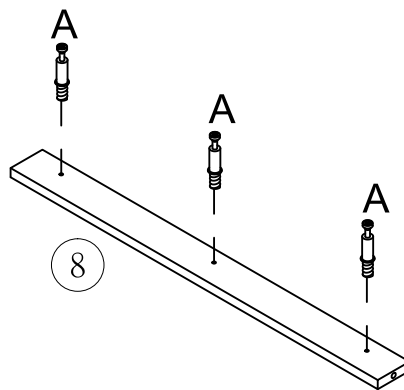
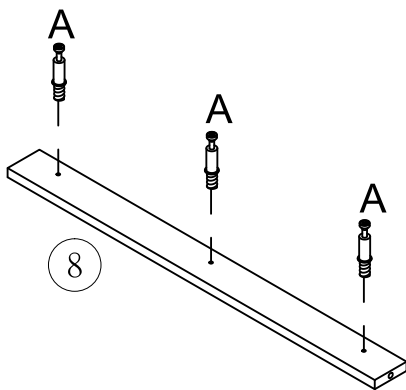
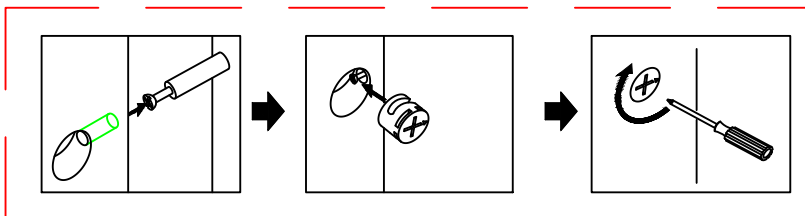
Extra hardware is enclosed for your convenience.

Hardware 11 Enlarged view



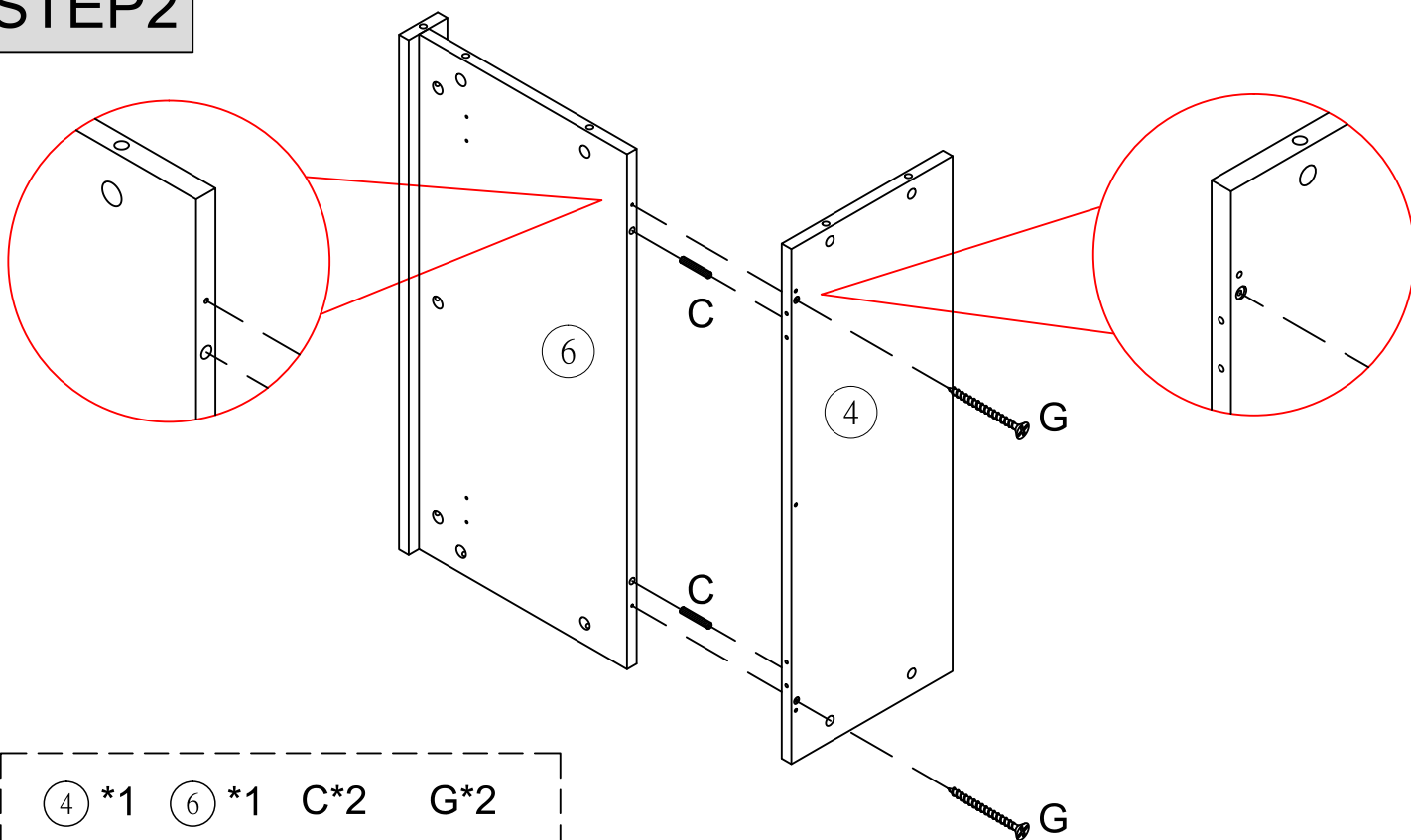
11 *1

STEP 1



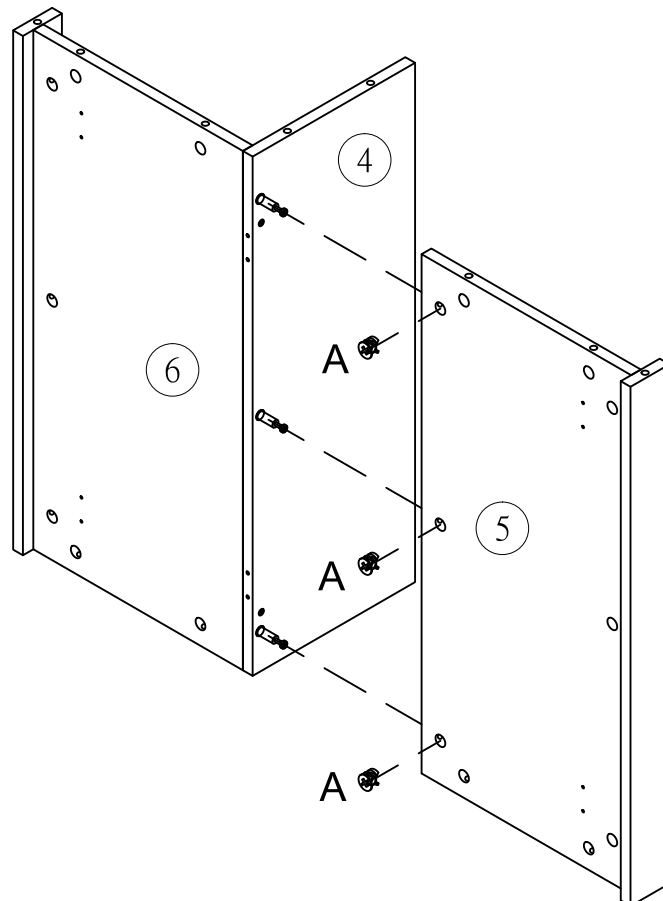
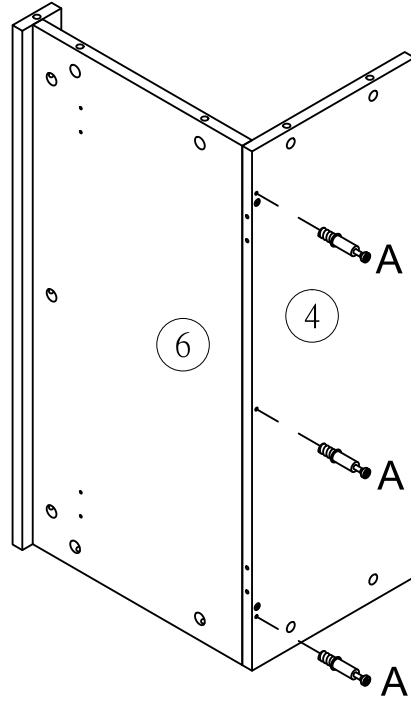
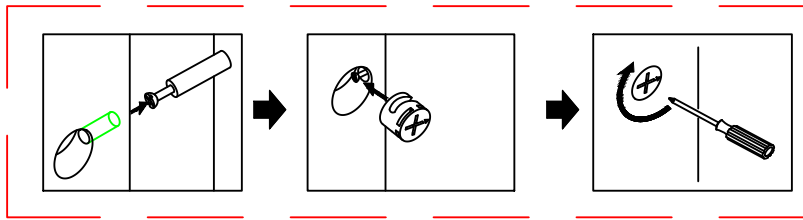
⑧ *2 ⑤ *1 ⑥ *1 A*6

STEP 2



④ *1 ⑥ *1 C*2 G*2

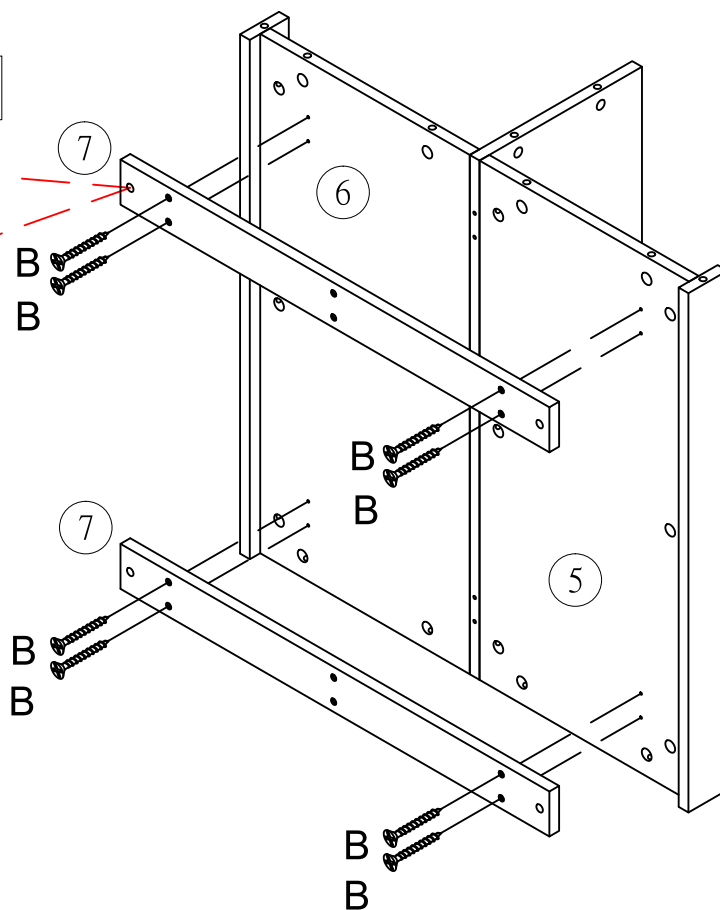
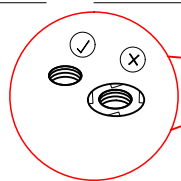
STEP 3



⑤ *1 A*3

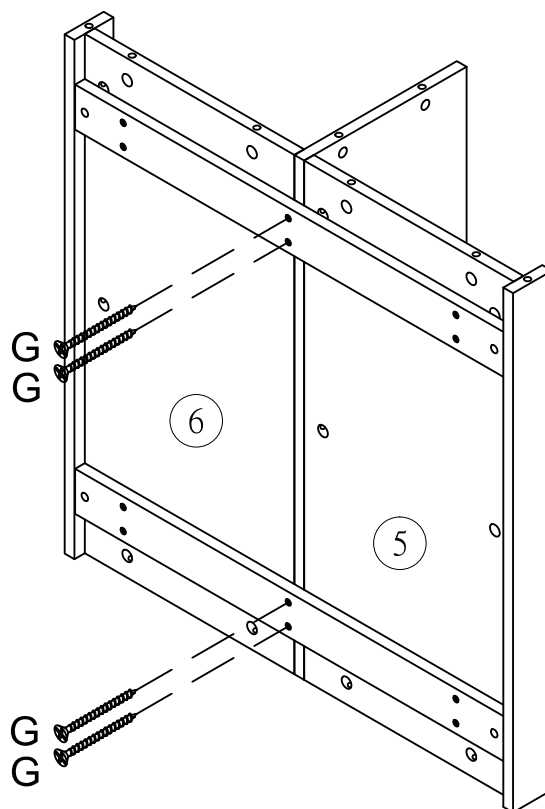
STEP 4

Make sure the correct orientation.



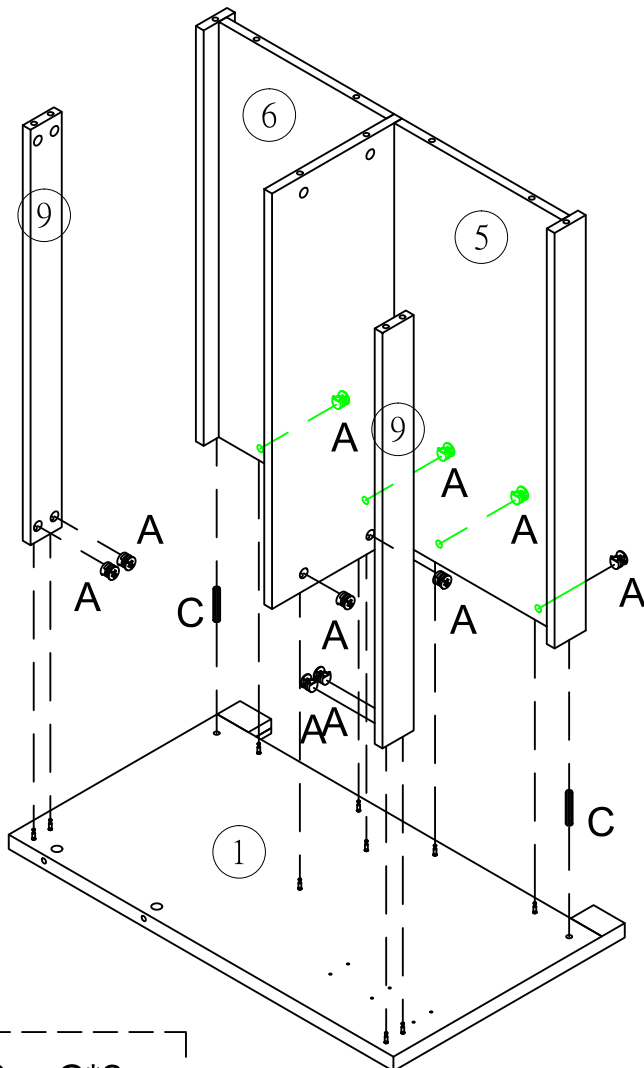
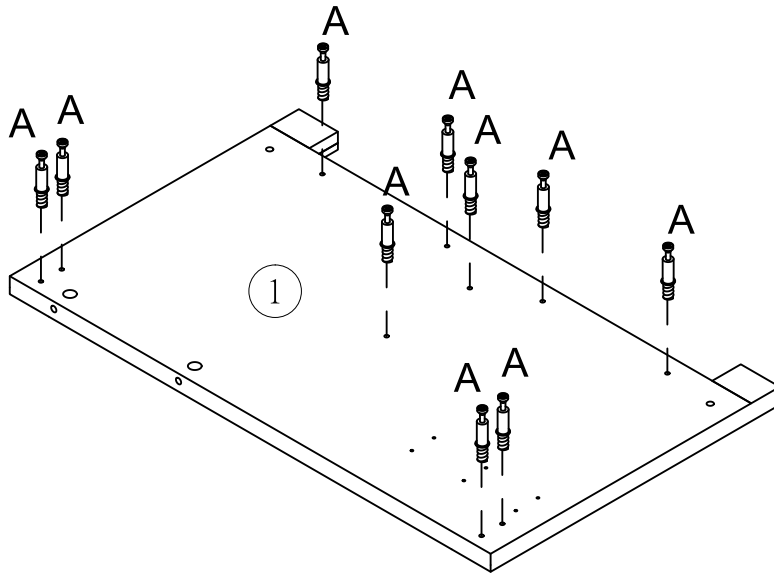
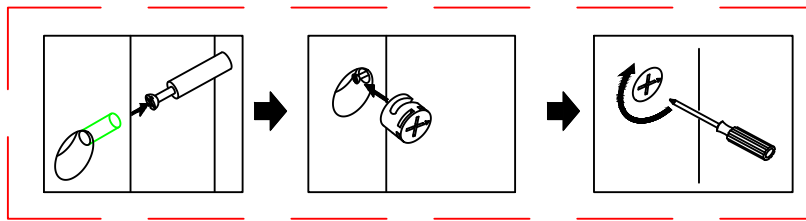
⑦ *2 B*8

STEP 5



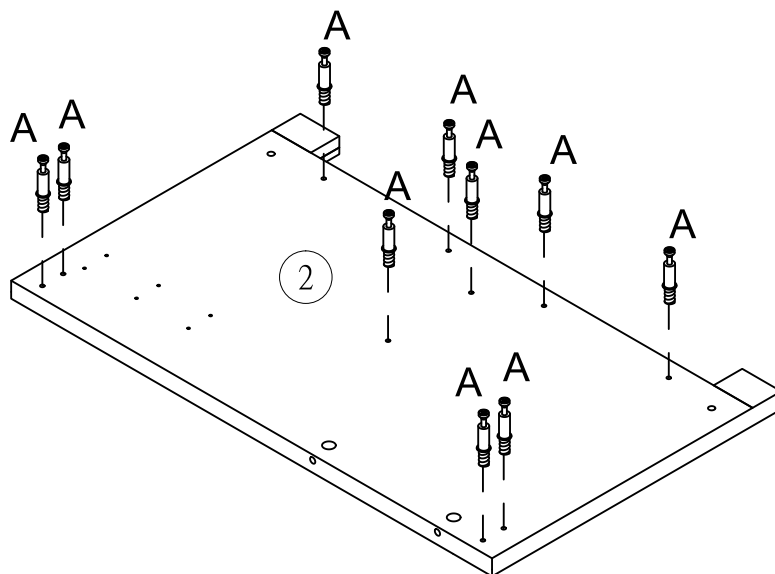
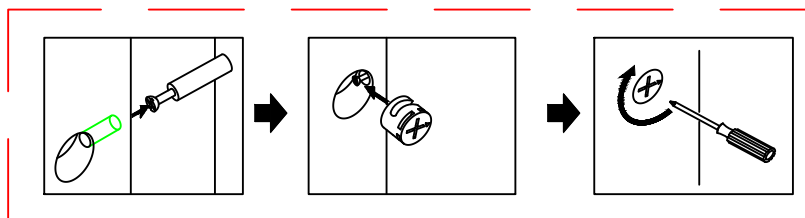
G*4

STEP 6

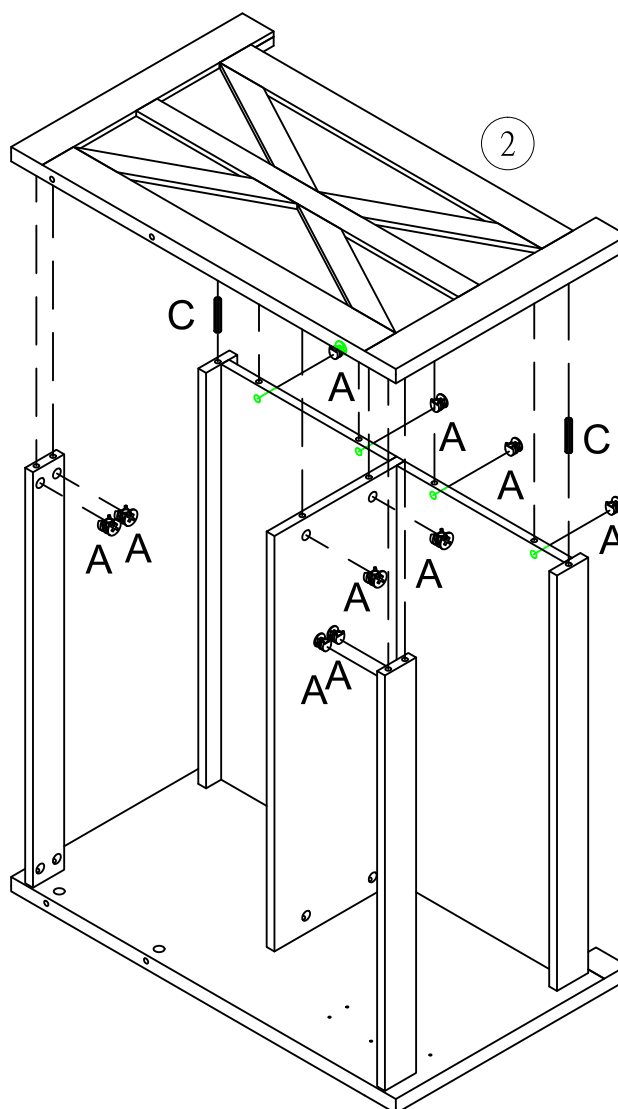


- 9 *2
- 1 *1
- A *10
- C *2

STEP 7



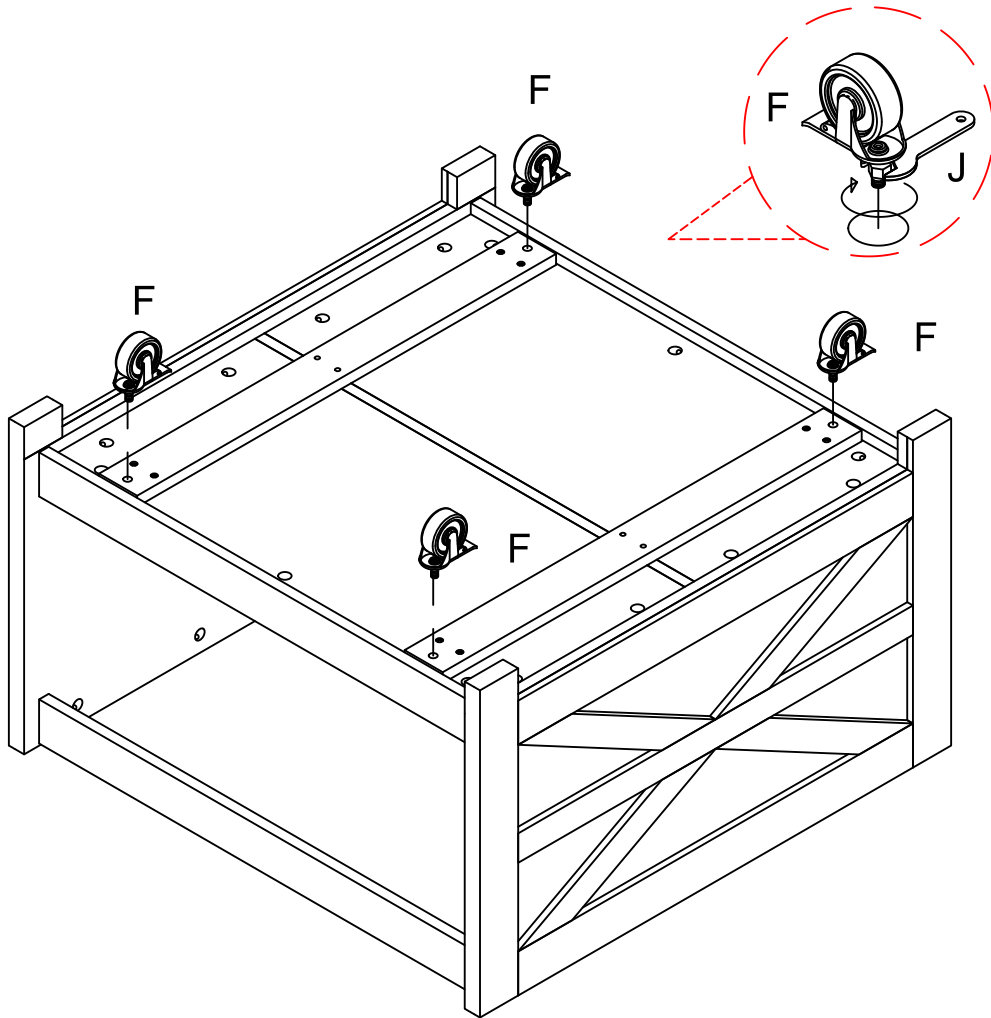
This step requires two people. Be sure to align the holes and lay the board flat.



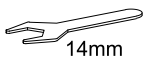
② *1 A*10 C*2

STEP8

Please insert the F screw into the hole and use your hand to turn the screw clockwise until you do not see the screw travel. Then please use the J to fully tighten the screw nut. After installation, first all the locks will be opened in order to adjust the position.



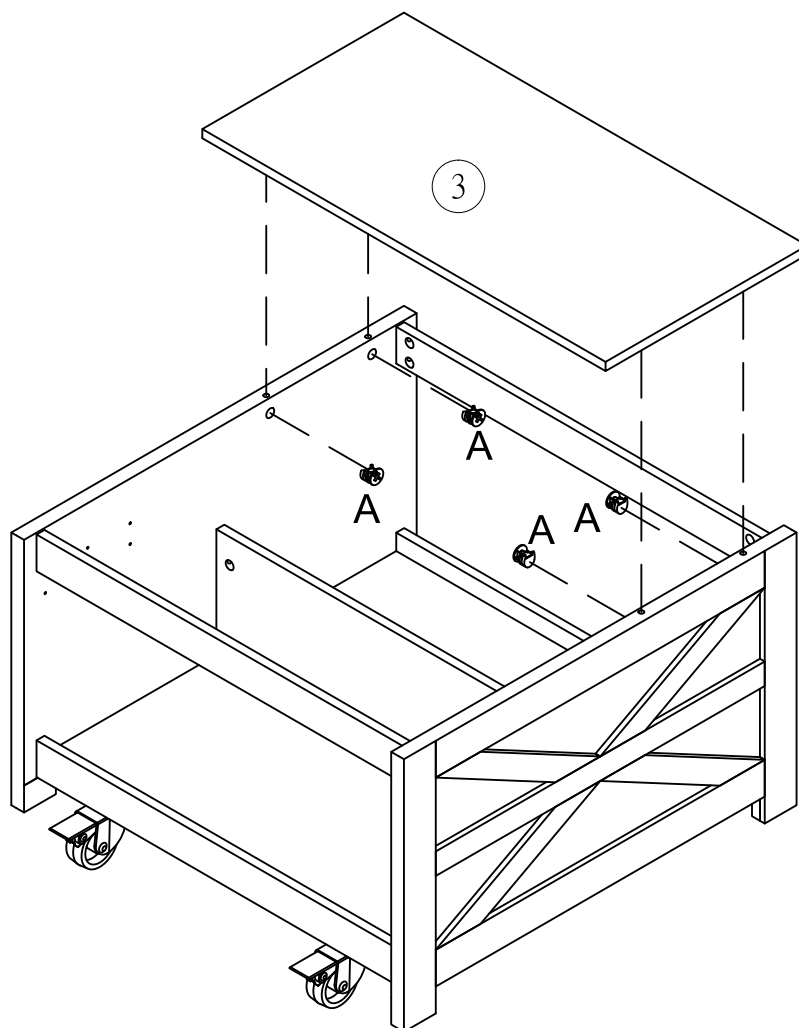
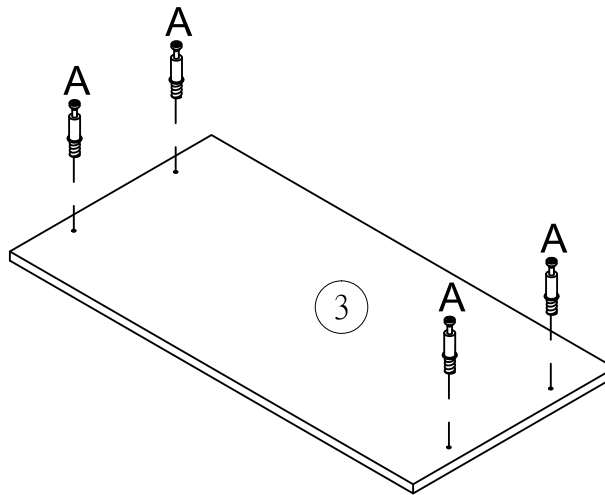
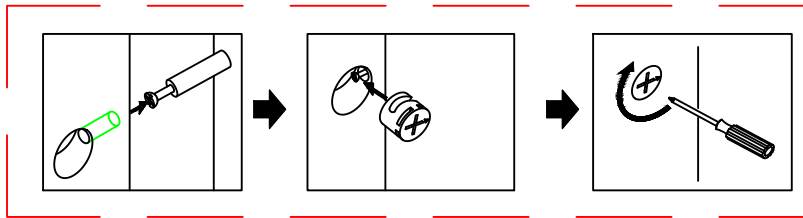
F*4



* 1

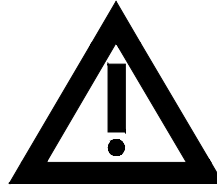
14mm

STEP 9

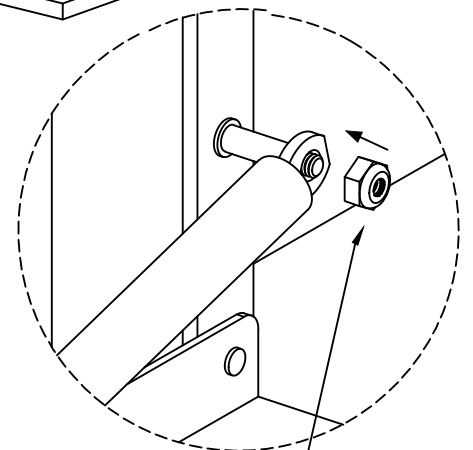
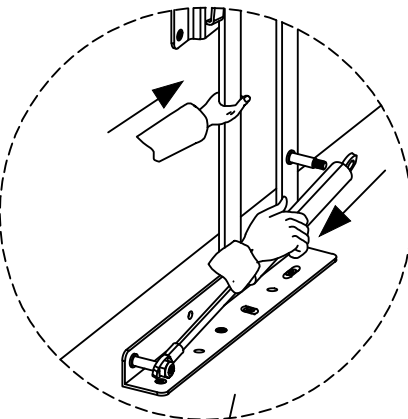
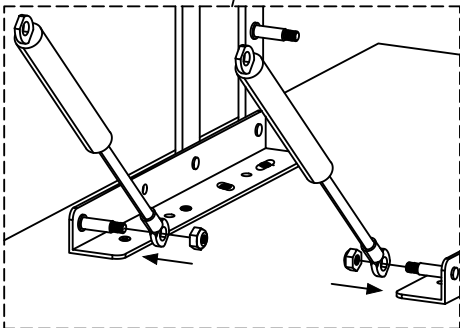
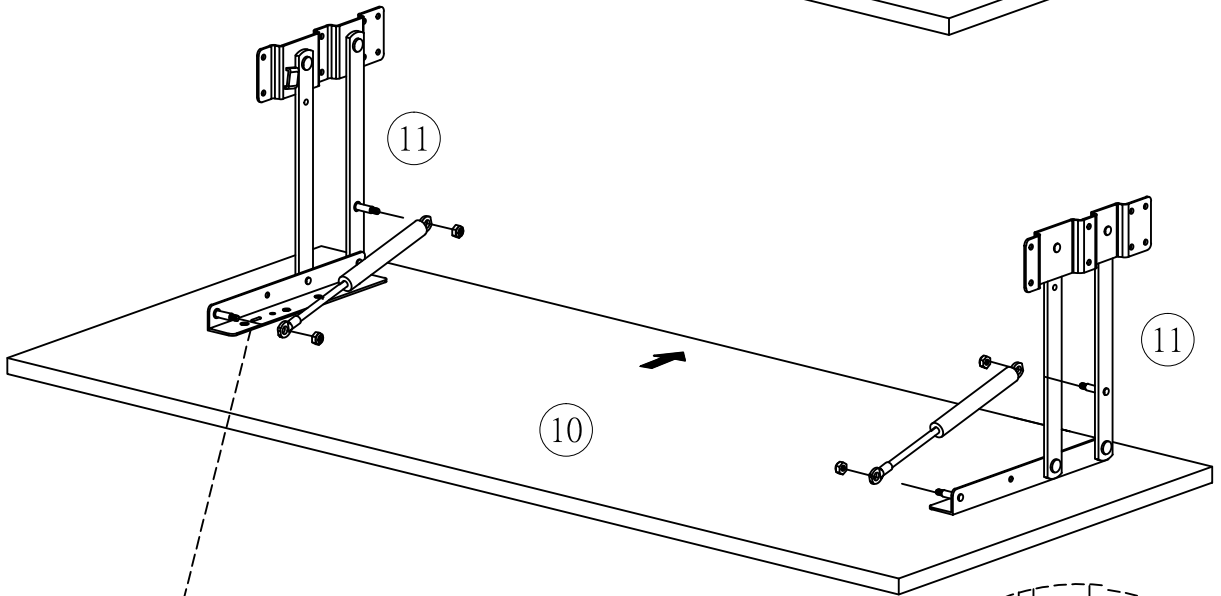
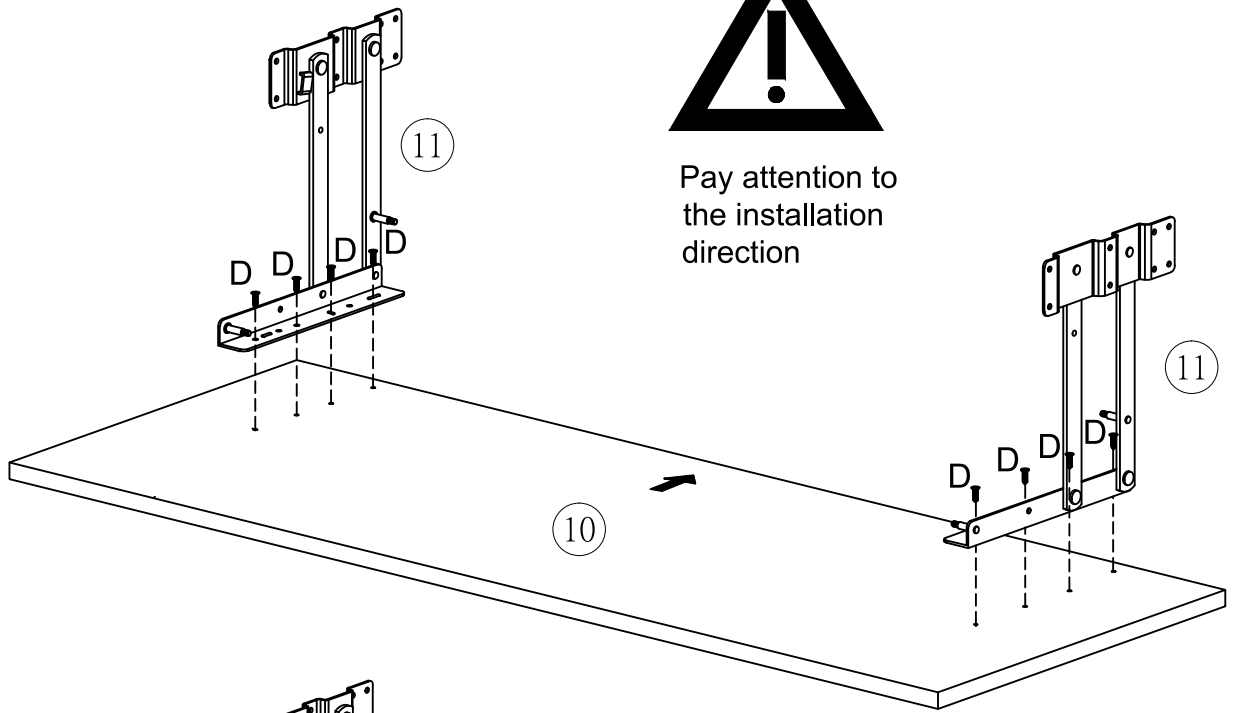


③ *1 A*4

STEP 10

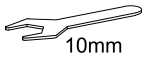


Pay attention to the installation direction

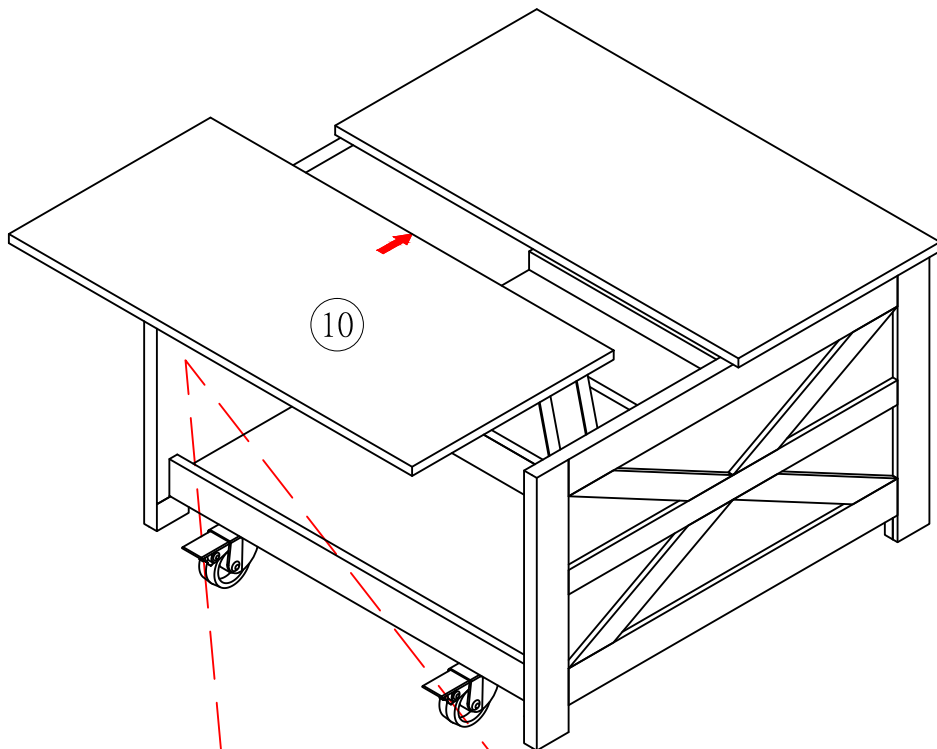


Please press the air pressure rod illustrated above, then insert it into the screw rod after alignment.

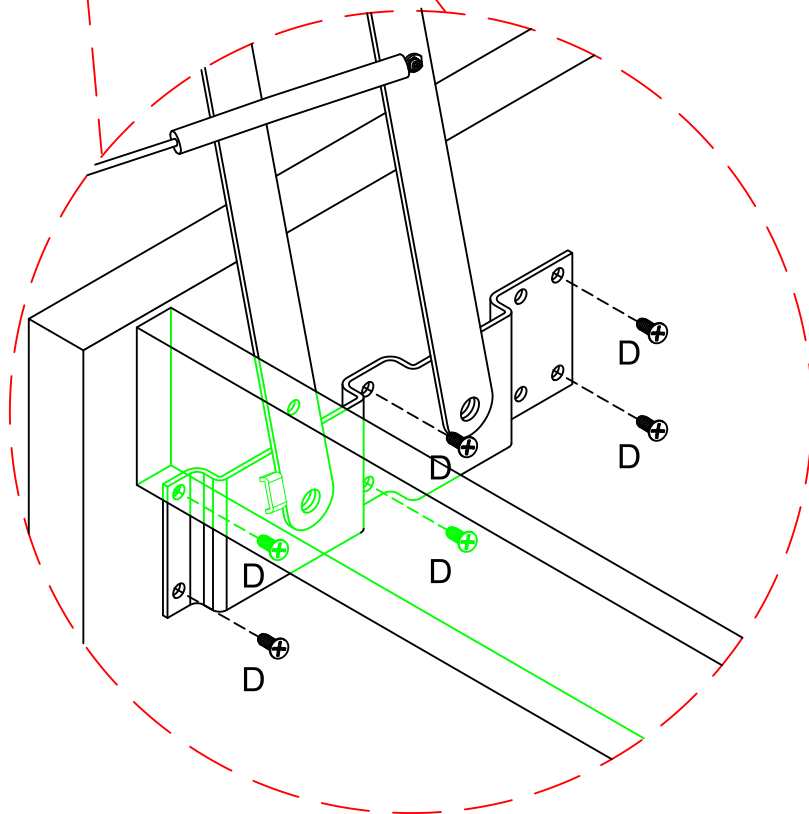
The side with blue rubber ring faces outside.

- ⑩ *1 ⑪ *1 D*8  *1

STEP 11

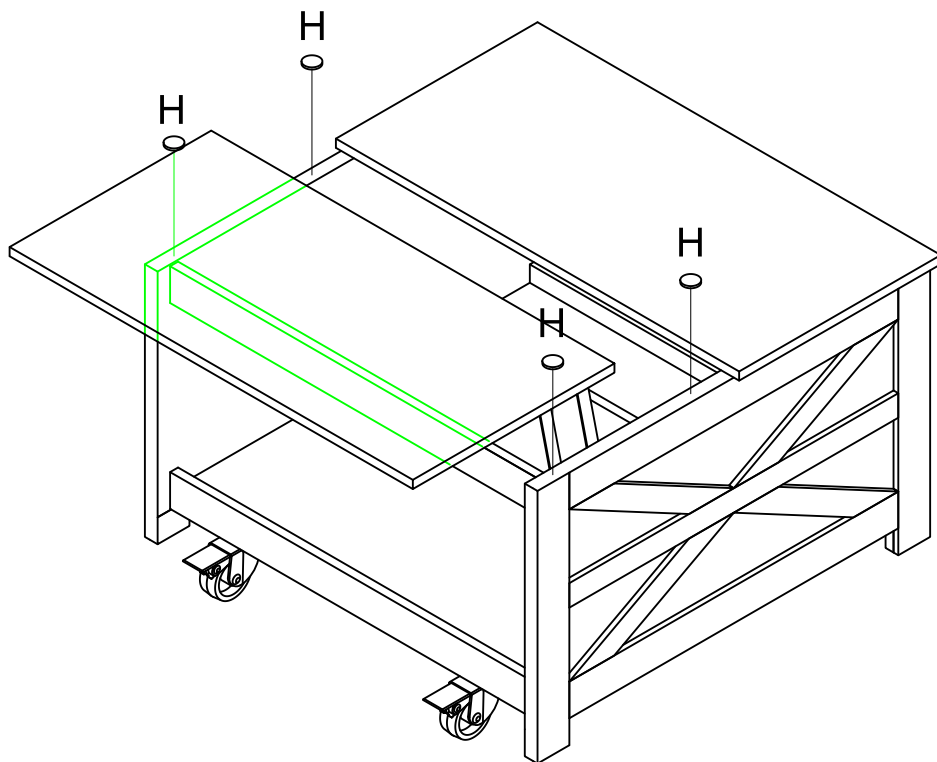


Keep horizontal !



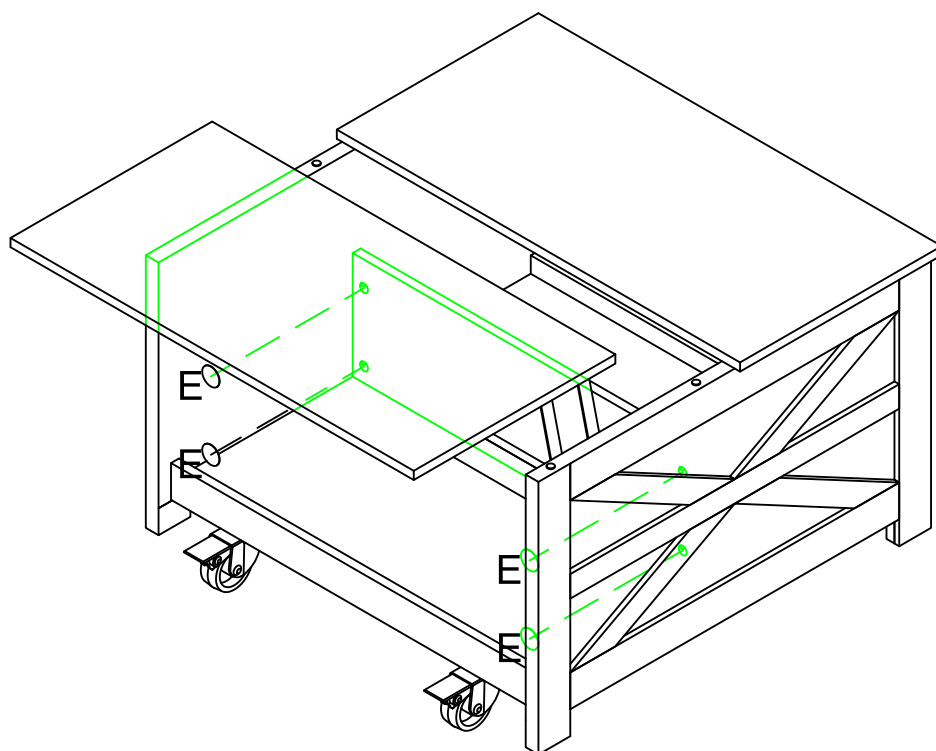
D*12

STEP12



H*4

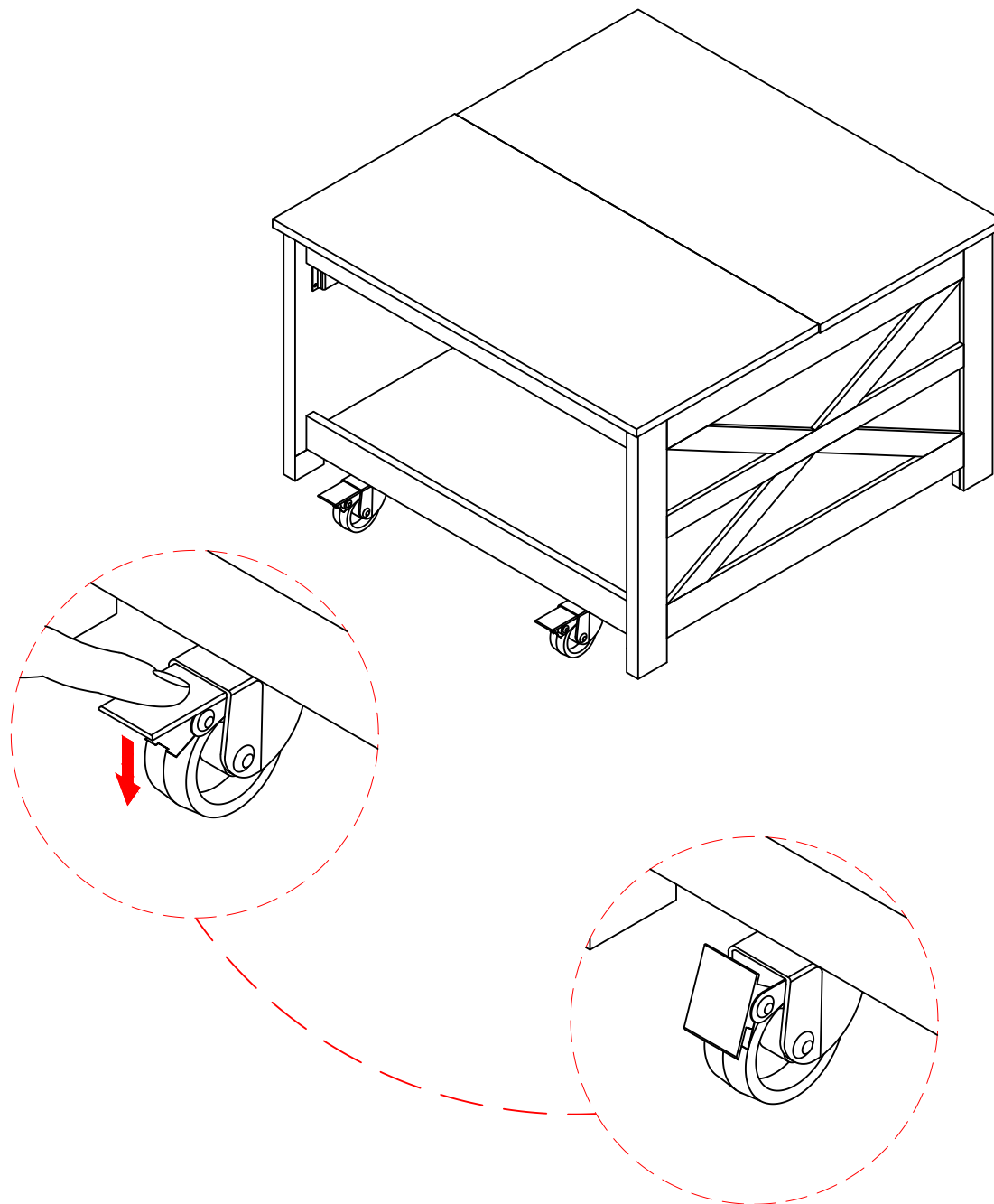
STEP13

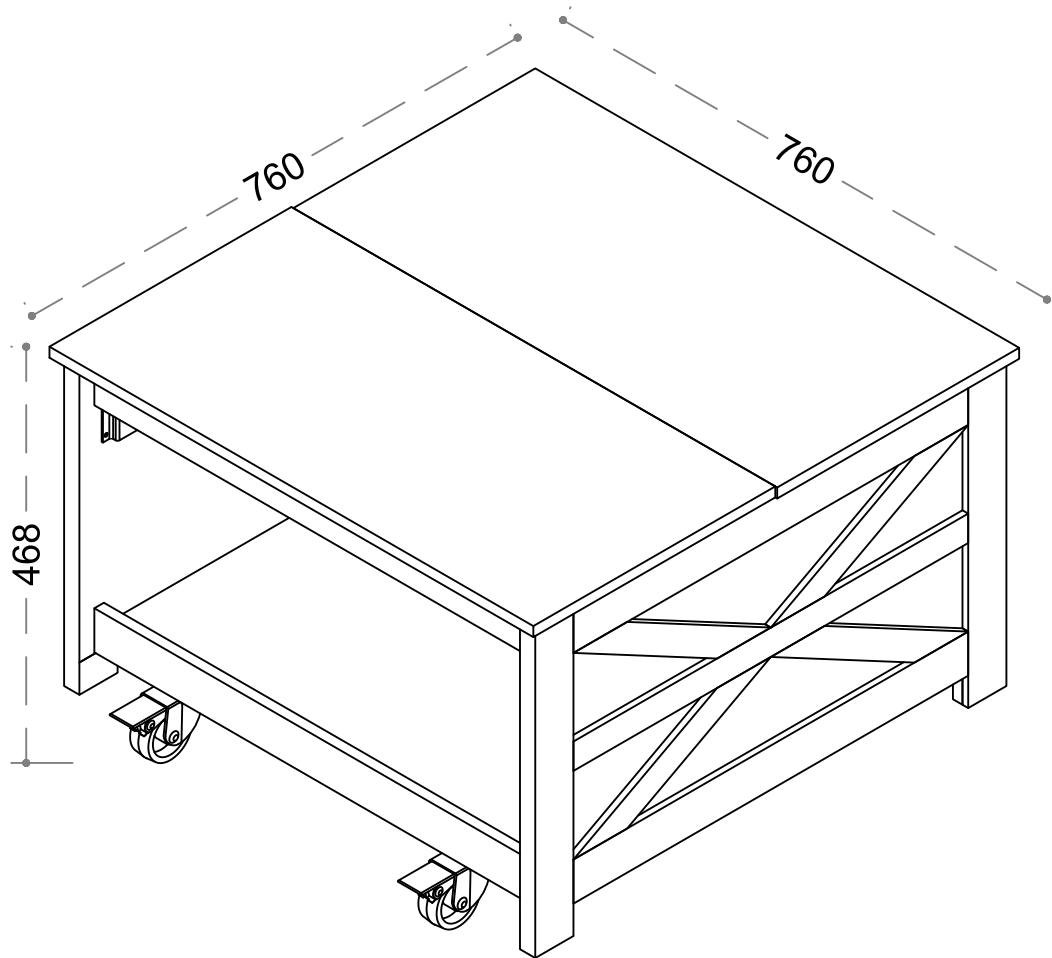


E*4

STEP14

If you need to lock the coffee table, please lock the casters. If you need to move the coffee table, please unlock the casters.





NORTH AMERICA

E-mail: support@evajoy.co



MADE IN CHINA

WARRANTY

This product is covered with EVAJOY product and warranty for 12 Months from the date of its original purchase. If any problems occur, Please contact the EVAJOY Customer Care Centre via the contact Information listed in this User Guide.