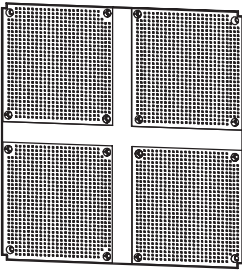
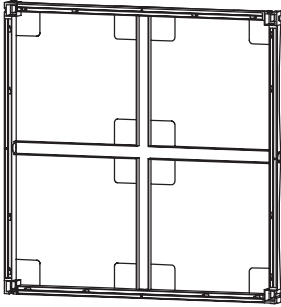




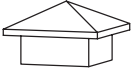
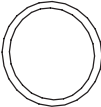


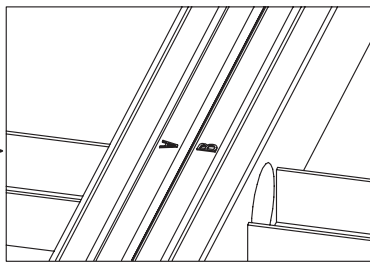
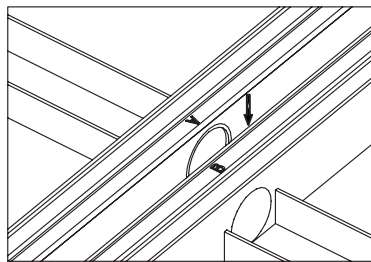
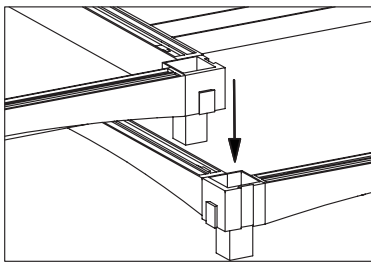
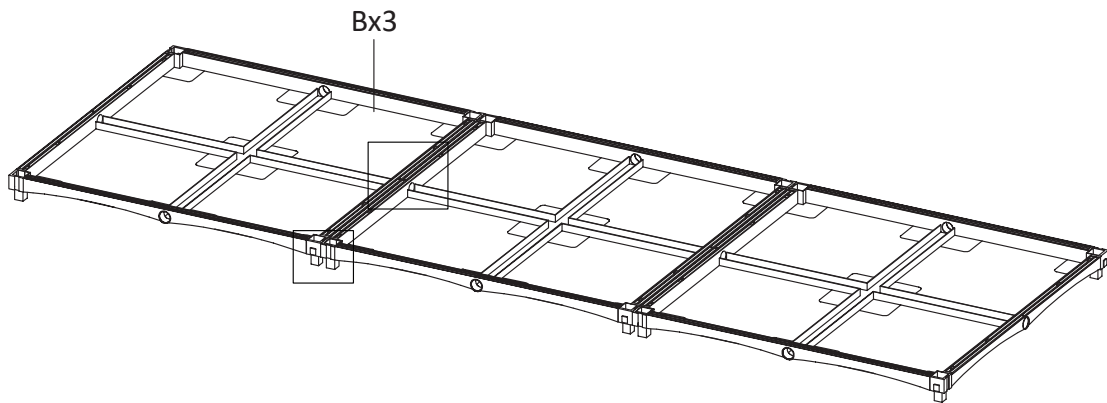
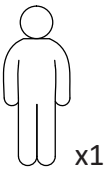
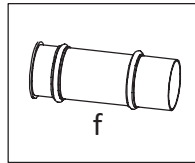
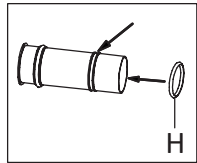
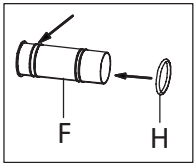
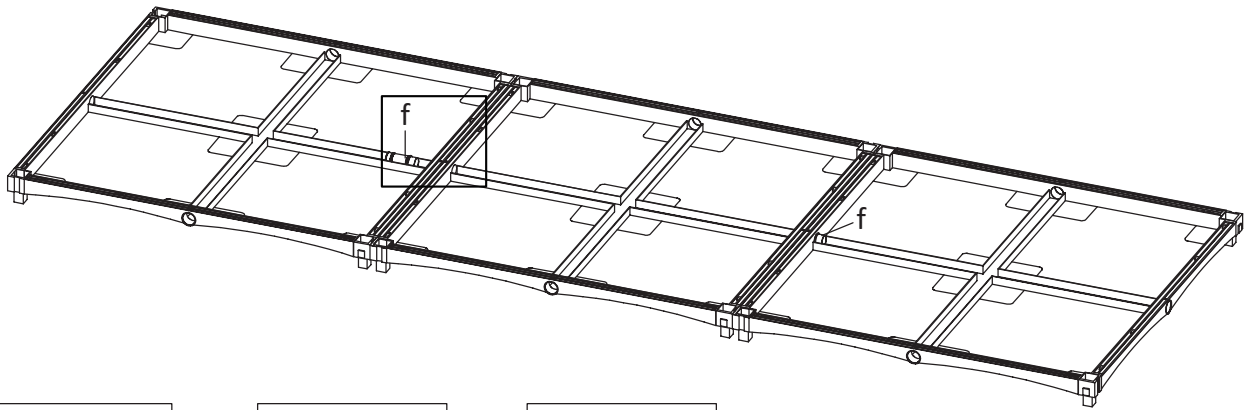


<p>Ax3</p> 	<p>Bx3</p> 	<p>Cx16</p> 	<p>Dx12</p> 	<p>Ex24</p> 
<p>Fx2</p> 	<p>Gx12</p> 	<p>Hx4</p> 	<p>Ix8</p> 	<p>Jx4</p> 

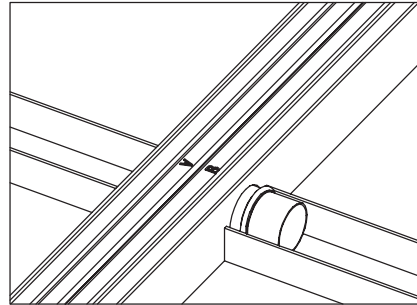
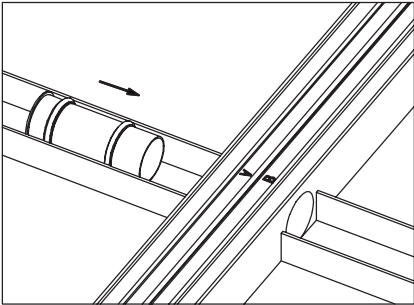
1



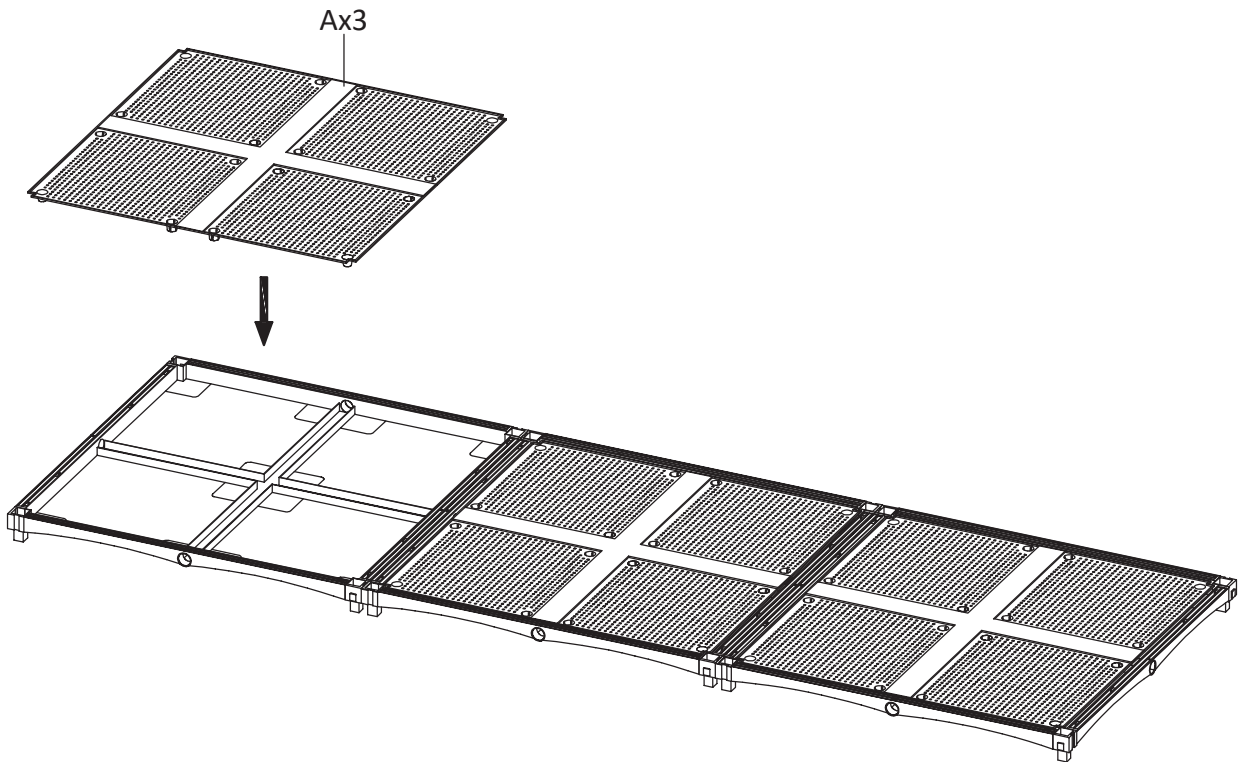
2



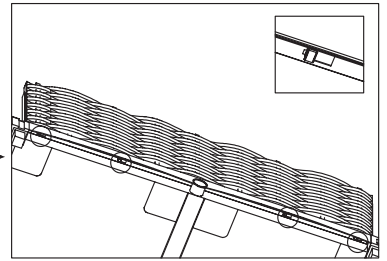
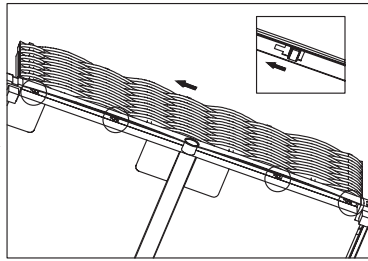
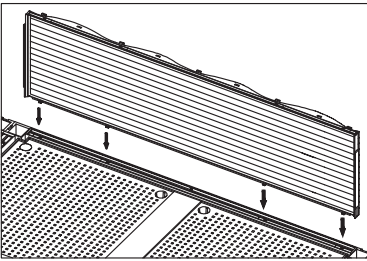
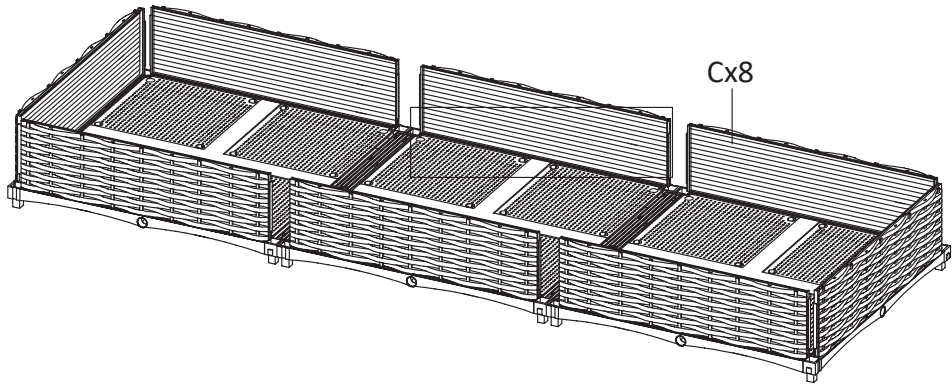
x2



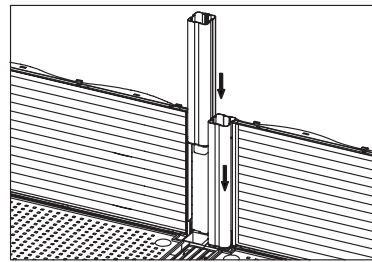
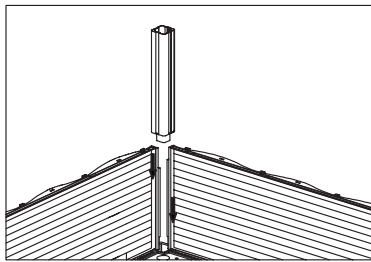
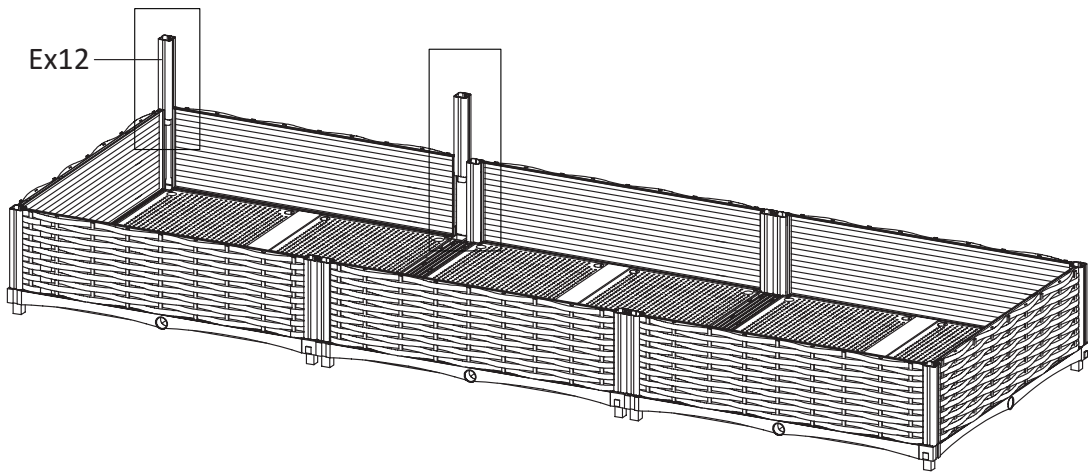
3



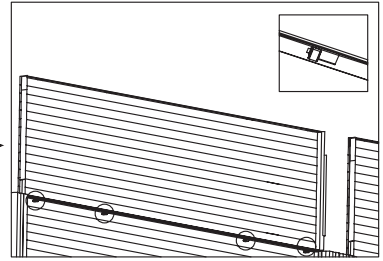
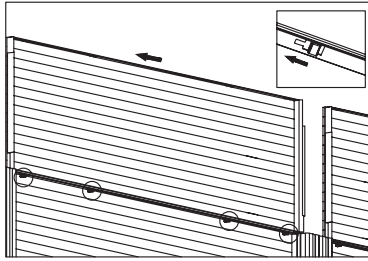
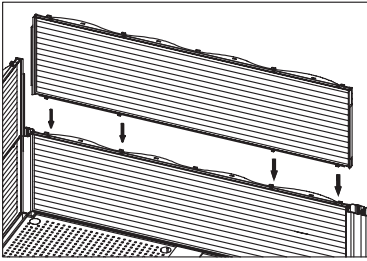
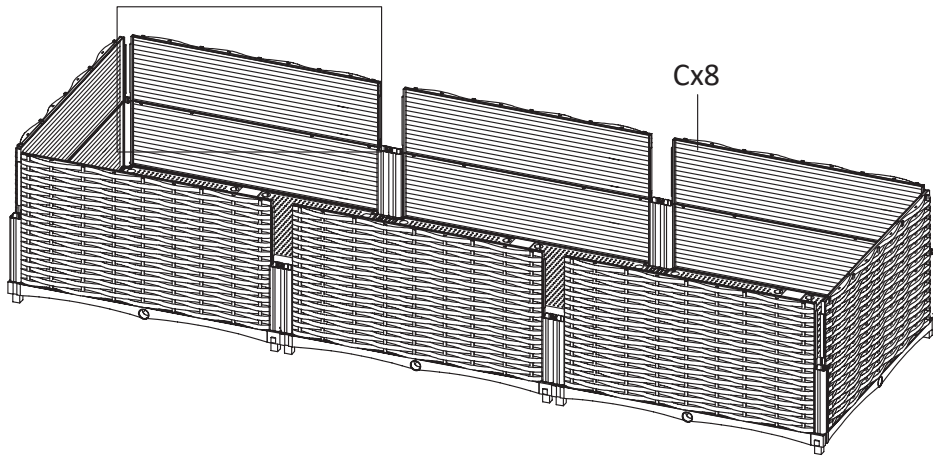
4



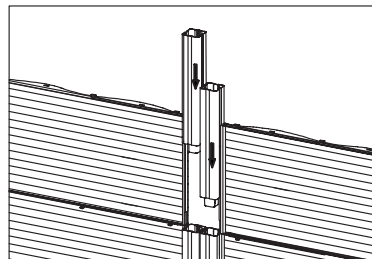
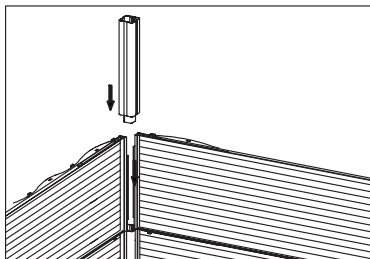
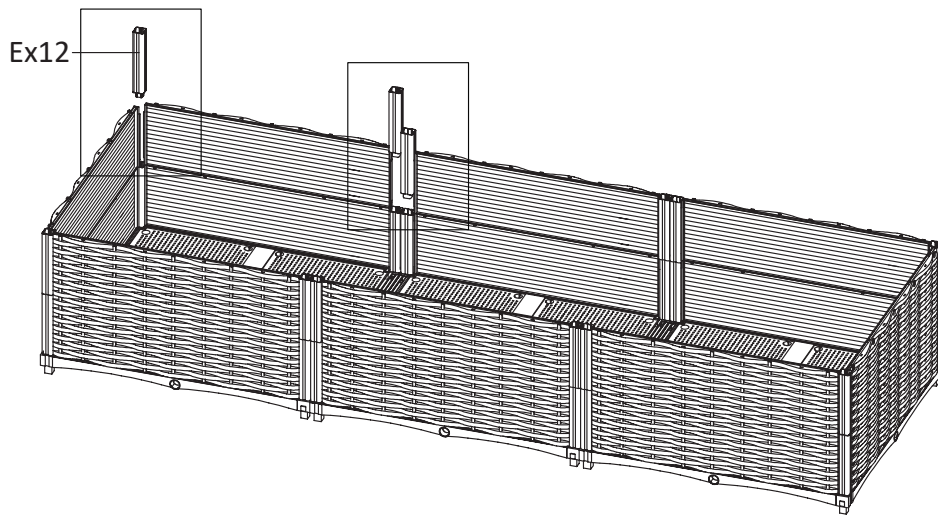
5



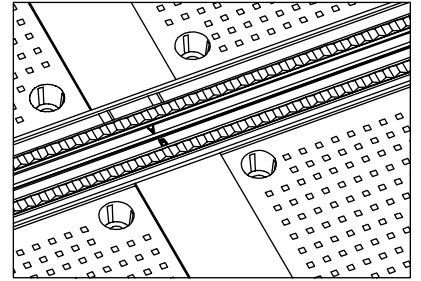
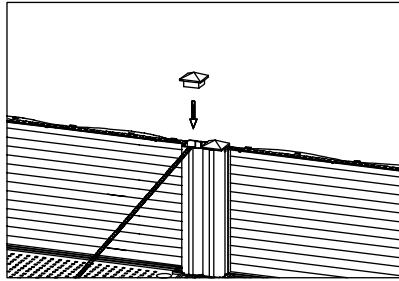
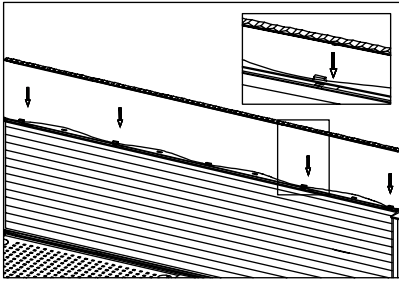
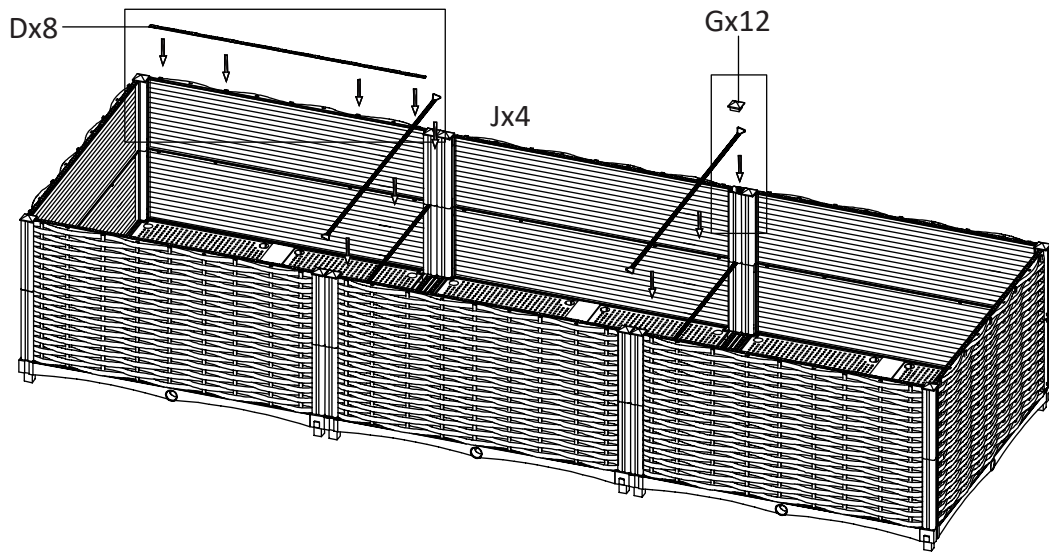
6



7



8



9

