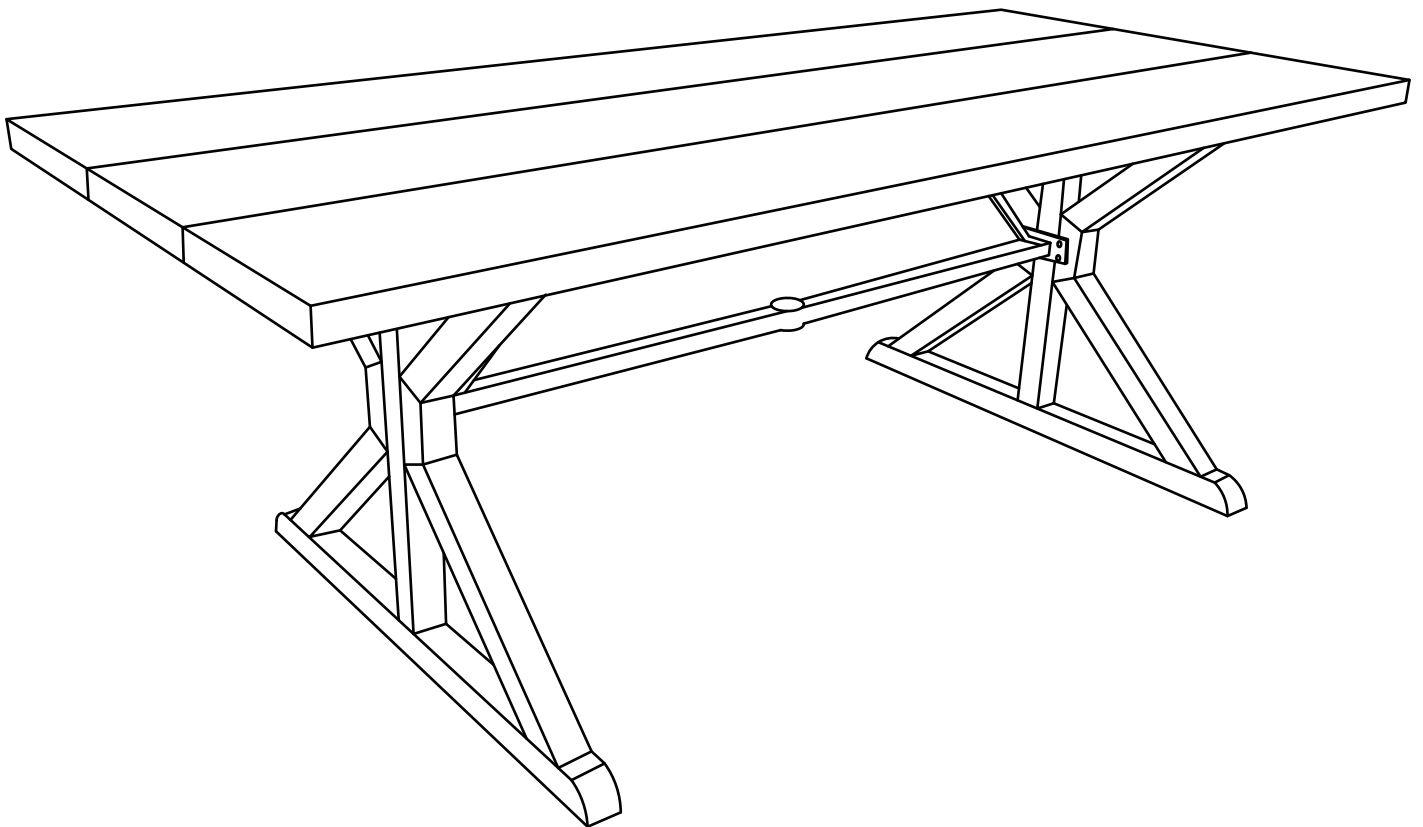


7835 Hourglass Leg Metal Table

If you have any questions about the Hourglass Leg Metal Table, please feel free to contact us

Customer Service Email: Service@alaulm.com



P25126-D1

IMPORTANT

PLEASE READ BEFORE YOU COMMENCE ASSEMBLY

Follow the guidelines in this user guide to ensure correct assembly and care for this product.

Catalog

Notice 2

Specifications 3

Explode Views 4

Part List 5

Installation Steps 7

Before You Begin

Instructions are supplied in this manual and contain all appropriate information for your product.

Review all instructions before you begin and during assembly, follow the step sequence carefully for correct results.

1. Please separate and identify all the parts, making sure you have all of the parts listed.
2. To avoid any scratch during assembly, please assemble on a soft mat or similar.
3. Please assemble step by step and follow the instruction.
4. Please install and secure all screws and panels correctly according to the fastening method described below.
5. Failure to locate parts in accordance with these diagrams, or failure to use special parts provided with this equipment, may result in property damage or personal injury.
6. If you have an electric screwdriver, you can use it instead of the screwdriver we provide. An electric screwdriver can help you reduce assembly time.

Contact US:

Service@alaulm.com
www.alaulm.com



www.alaulm.com

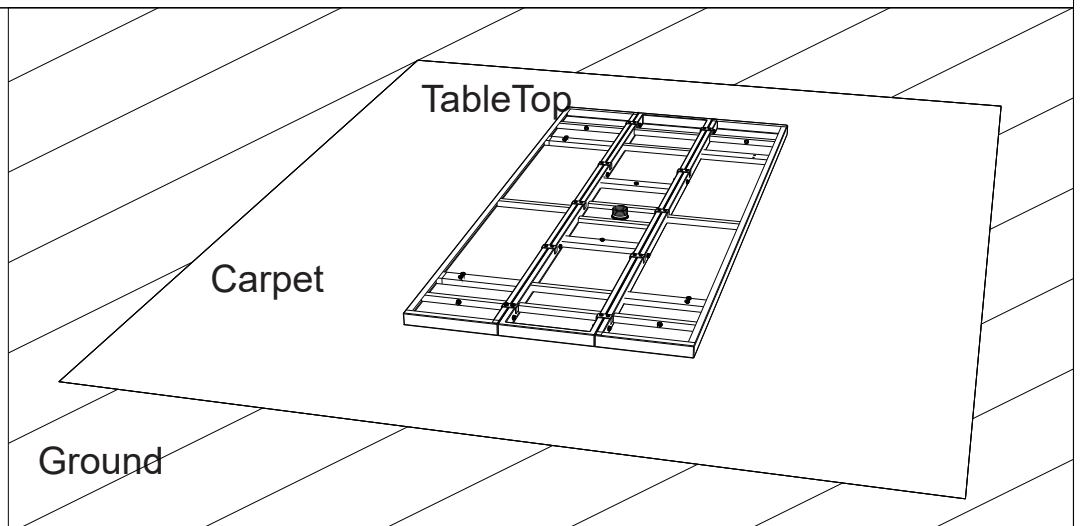
WARNING

Pay attention to the iron dining table and chairs installation precautions, please read the text below carefully.

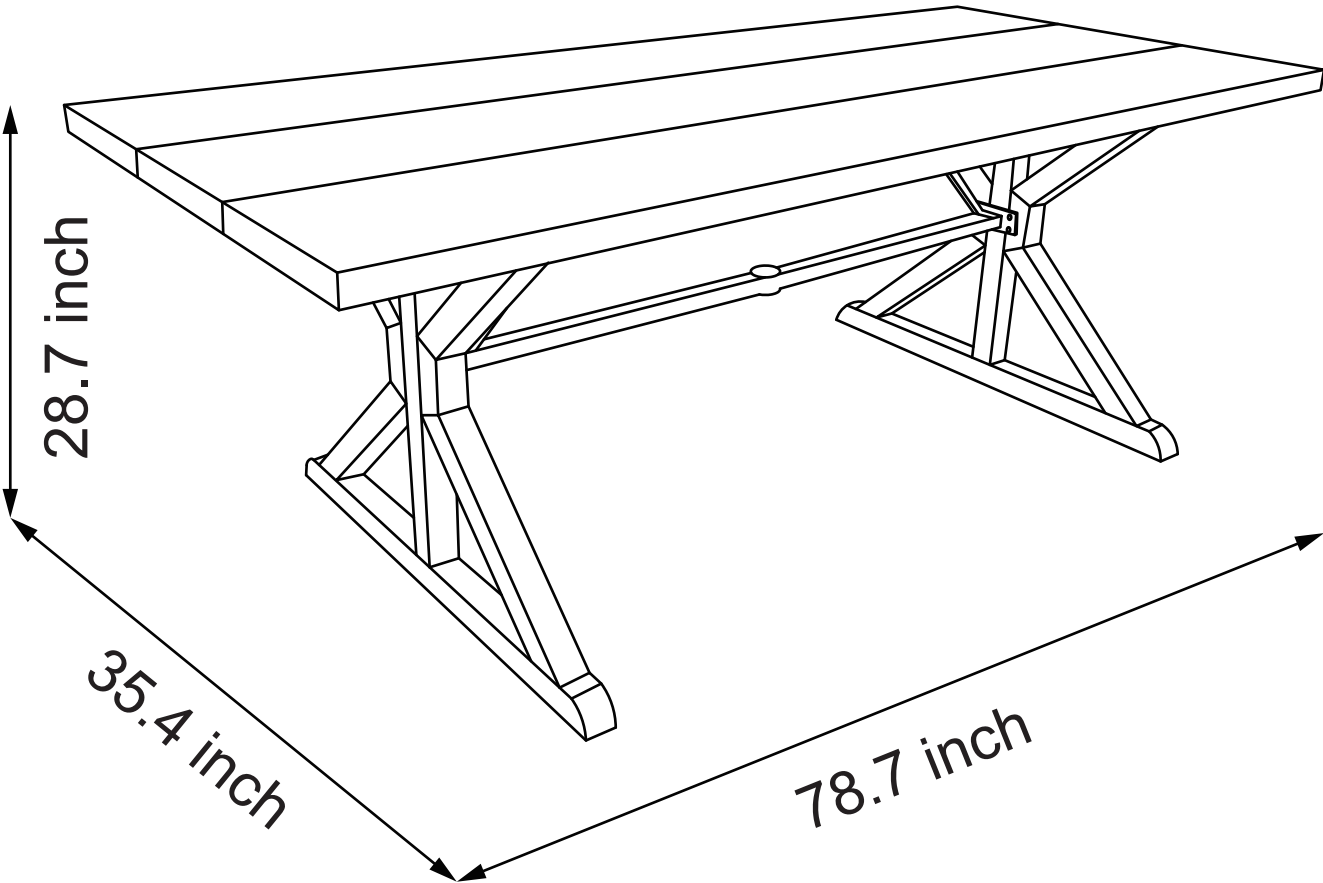
Note: When installing dining table and chair products, both tables and chairs, do not install them directly on the ground, as gravel and sand on the ground can cause irreversible scratches, as well as pits and paint loss on the table top and other areas.

Suggestion: install this product on a carpet with softness, or you can put a layer of cloth or other soft material on the floor before installing it.

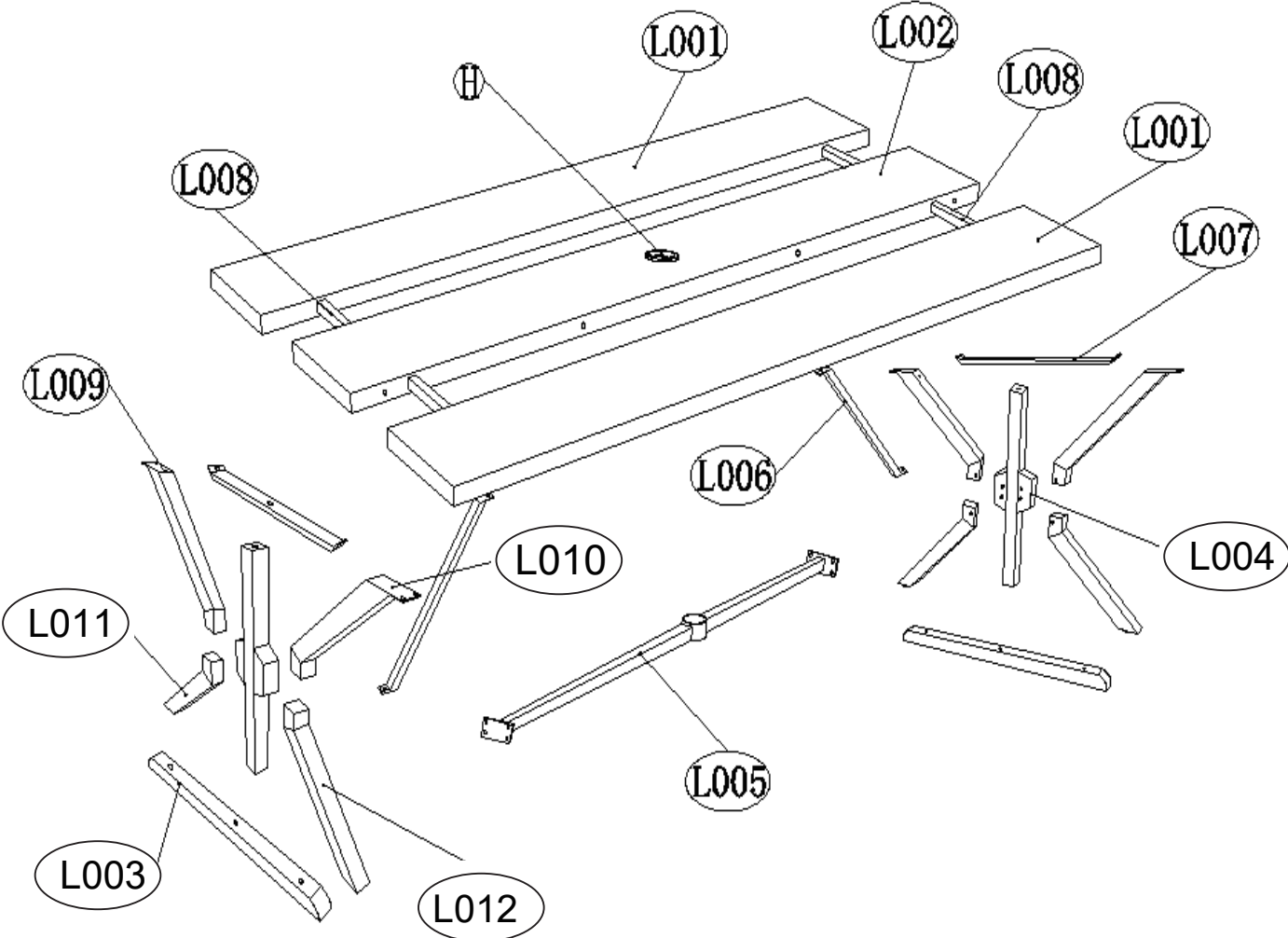
Illustration
of correct
installation




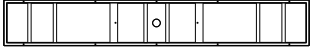
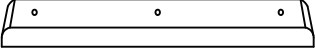
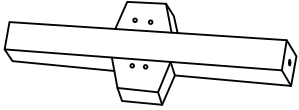

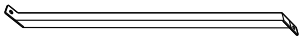

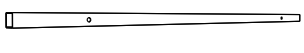
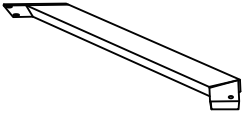
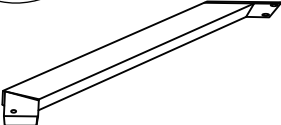
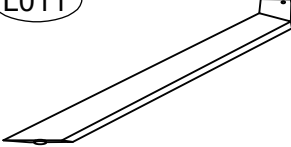
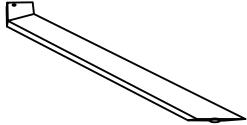
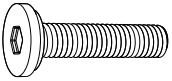
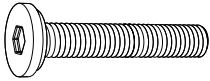
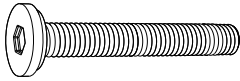
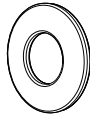
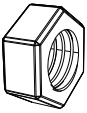
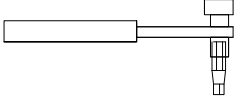
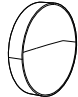

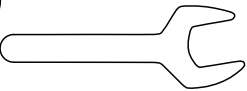

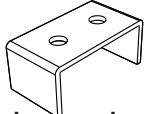

Hourglass Leg Metal Table



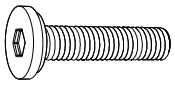
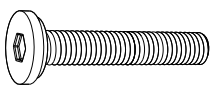
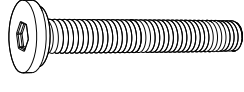
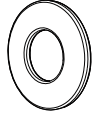
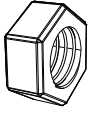
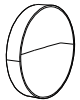
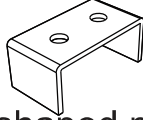
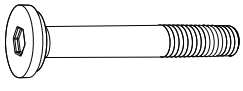
Explode Views



PART LIST

Part List			
<p>(L001)</p>  <p>Table top 1</p> <p>2PCS</p>	<p>(L002)</p>  <p>Table top 2</p> <p>1PC</p>	<p>(L003)</p>  <p>Foot frame bottom bar</p> <p>2PCS</p>	<p>(L004)</p>  <p>Foot frame center column</p> <p>2PCS</p>
<p>(L005)</p>  <p>Connecting crossbar</p> <p>1PC</p>	<p>(L006)</p>  <p>Tilt brace</p> <p>2PCS</p>	<p>(L007)</p>  <p>Foot frame top bar</p> <p>2PCS</p>	<p>(L008)</p>  <p>Inner sleeve square tube</p> <p>2PCS</p>
<p>(L009)</p>  <p>Upper diagonal connecting rod 1</p> <p>2PCS</p>	<p>(L010)</p>  <p>Upper diagonal connecting rod 1</p> <p>2PCS</p>	<p>(L011)</p>  <p>Bottom diagonal connecting rod 1</p> <p>2PCS</p>	<p>(L012)</p>  <p>Bottom diagonal connecting rod 2</p> <p>2PC</p>
Screw Set			
<p>(A)</p>  <p>Bolt M6 × 20</p> <p>44PCS</p>	<p>(B)</p>  <p>Bolt M6 × 30</p> <p>6PCS</p>	<p>(C)</p>  <p>Bolt M6 × 45</p> <p>8PCS</p>	<p>(D)</p>  <p>M6 Gaskets</p> <p>76PCS</p>
<p>(E)</p>  <p>Jam Nuts M6</p> <p>12PCS</p>	<p>(F)</p>  <p>Ratchet wrench</p> <p>1PC</p>	<p>(G)</p>  <p>Bolt Cap</p> <p>64PCS</p>	<p>(H)</p>  <p>Umbrella Cover</p> <p>1PC</p>
<p>(I)</p>  <p>Wrench</p> <p>1PC</p>	<p>(J)</p>  <p>Allen Wrench M6</p> <p>1PC</p>	<p>(K)</p>  <p>U shaped part</p> <p>10PCS</p>	<p>(L)</p>  <p>Bolt M6 × 65</p> <p>6PCS</p>

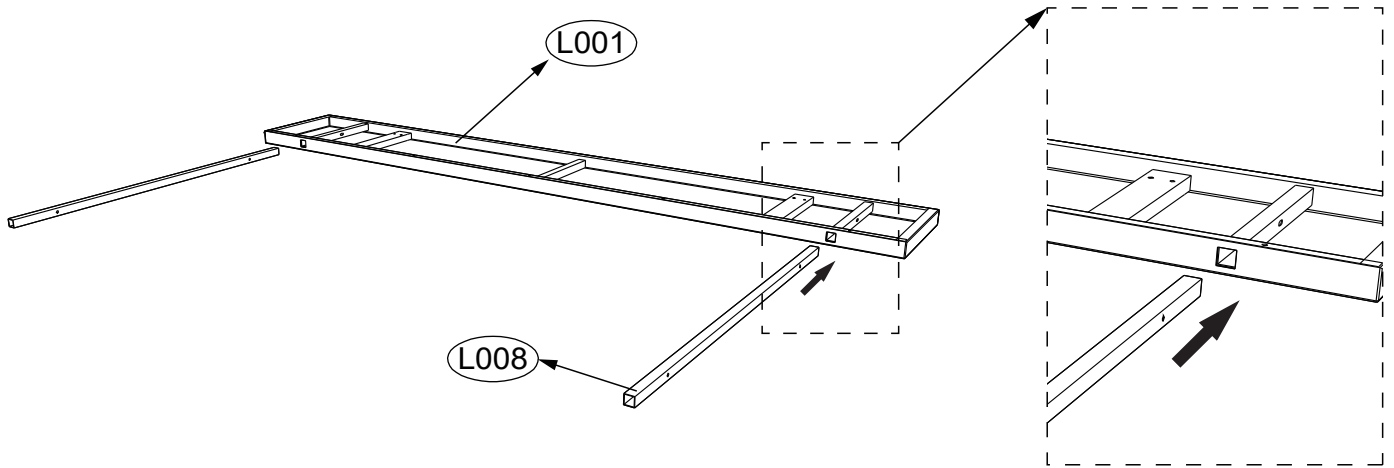
PART LIST

Part List			
Extra (Screw Set)			
<p>(A) </p> <p>Bolt M6 × 20</p>	<p>(B) </p> <p>Bolt M6 × 30</p>	<p>(C) </p> <p>Bolt M6 × 45</p>	<p>(D) </p> <p>M6 Gaskets</p>
<p>2PCS</p>	<p>1PC</p>	<p>1PC</p>	<p>2PCS</p>
<p>(E) </p> <p>Jam Nuts M6</p>	<p>(G) </p> <p>Bolt Cap</p>	<p>(K) </p> <p>U shaped part</p>	<p>(L) </p> <p>Bolt M6 × 65</p>
<p>1PC</p>	<p>4PCS</p>	<p>1PC</p>	<p>1PC</p>

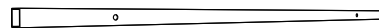
How To Assemble The White Wall Bathroom Cabinet

Step 1

Insert the Inner sleeve square tube (L008) into the holes on either side of the inside of Table top 1 (L001).



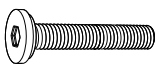
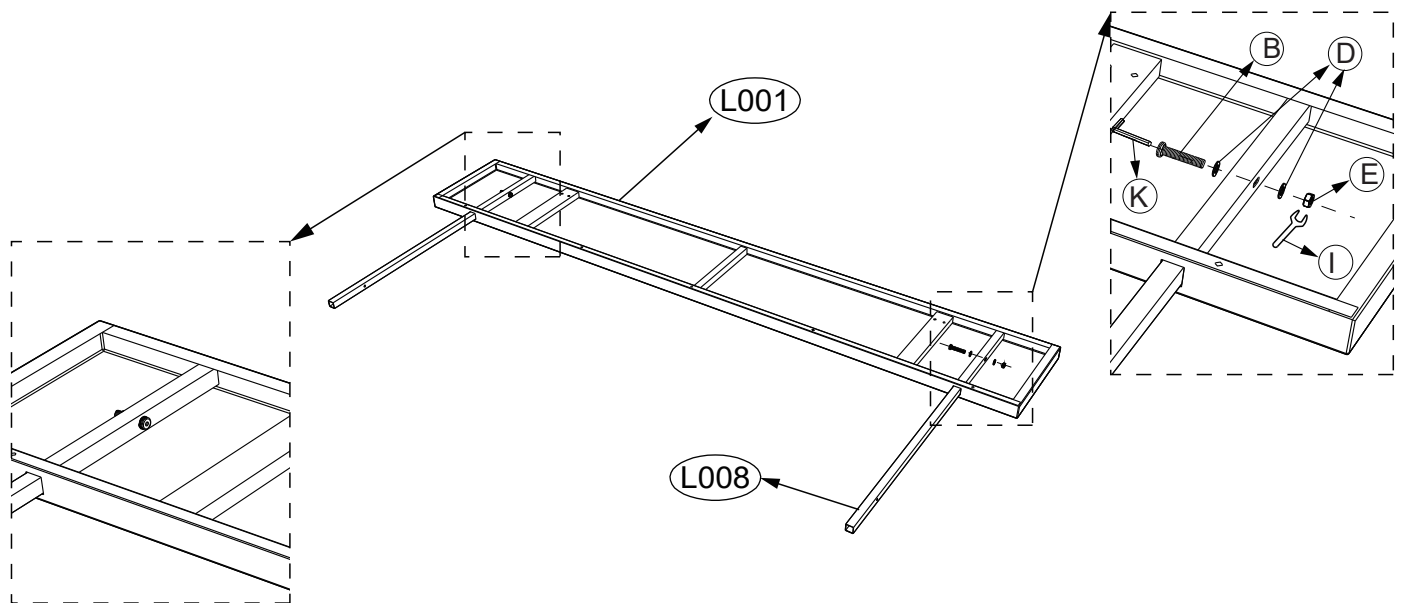
L001×1



L008×2

Step 2

Line up the holes in one end of the Inner sleeve square tube (L007) with the holes in Table top 1 and use a Bolt (B) to go through the Gaskets (D) and the holes, then the other end to slip over the Gaskets (D) and tighten using Jam Nuts (E).



B×2

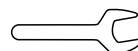


D×4

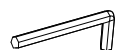


E×2

Tools:



I

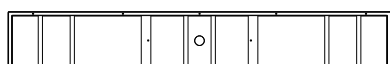
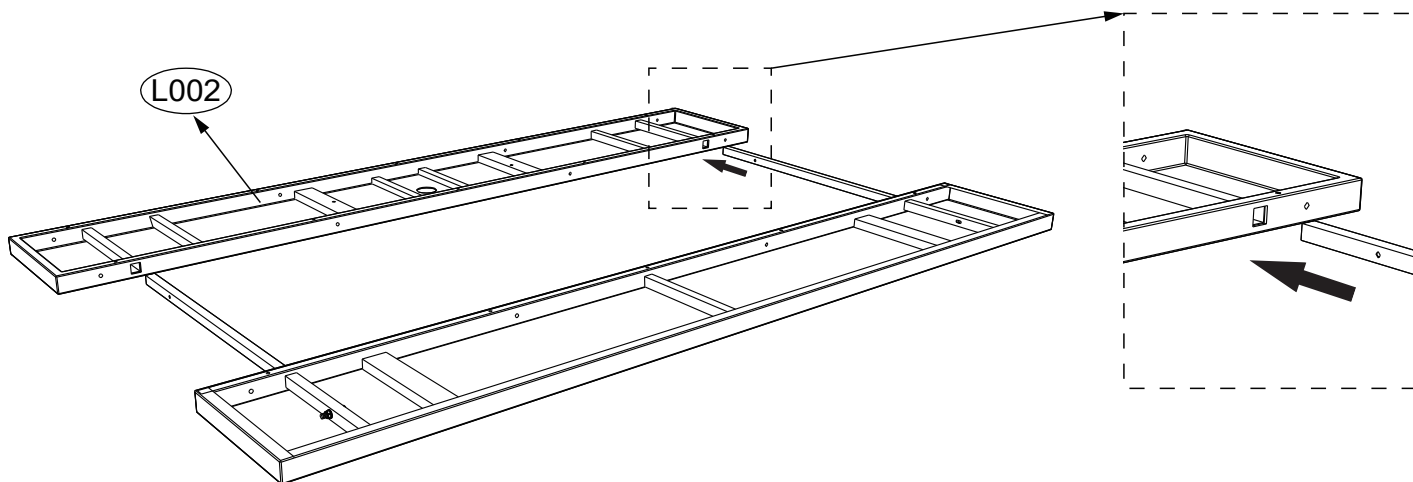


J

Installation steps

Step 3

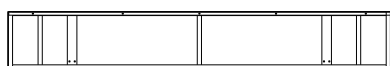
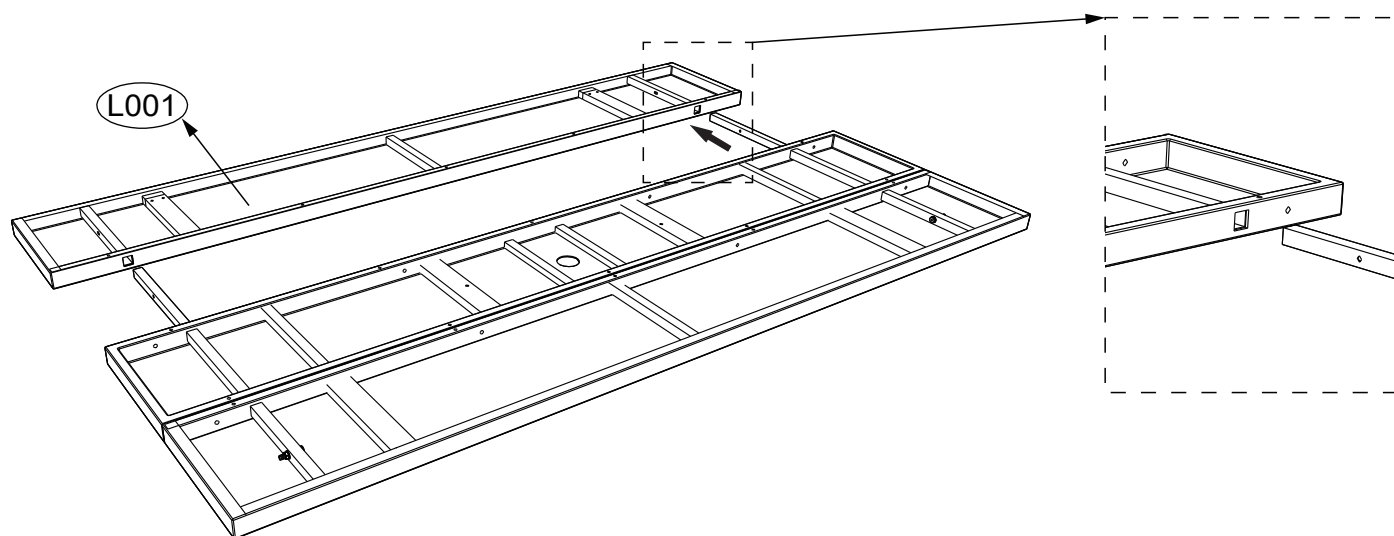
Slip Table top 2 (L002) into the already installed Inner sleeve square tube (L008), taking care to align the holes as shown.



L002×1

Step 4

Slip the remaining Table top 1 (L001) into the already installed Inner sleeve square tube (L008), taking care to align the holes as shown.

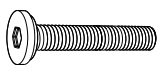
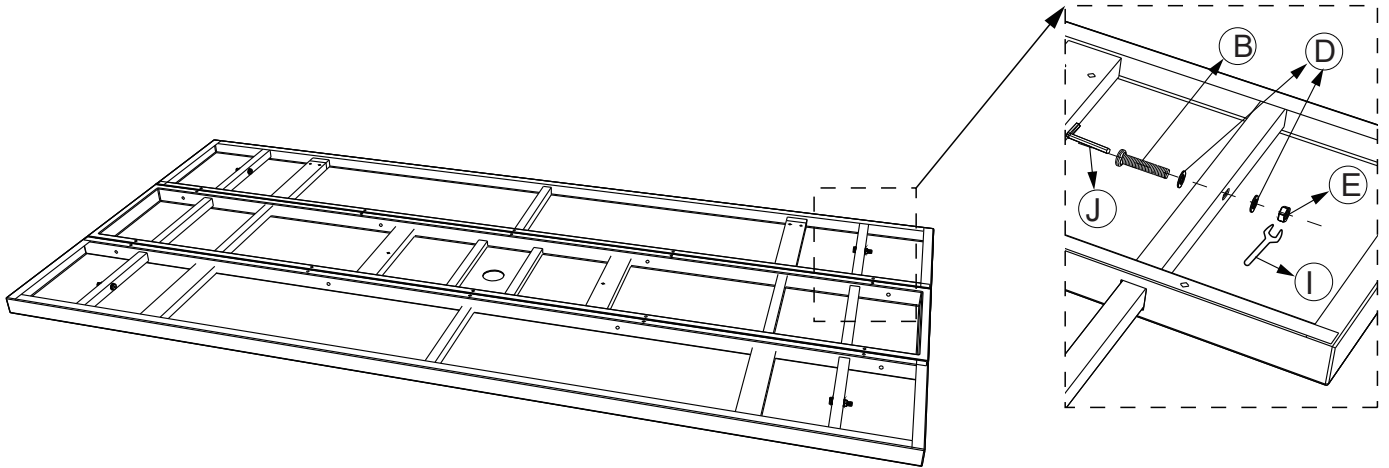


L001×1

Installation steps

Step 5

Repeat step 2 to install the Inner sleeve square tube (L008) with the last installed Table top 1 (L001) using screws.



B×2

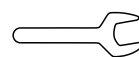


D×4



E×2

Tools:



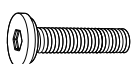
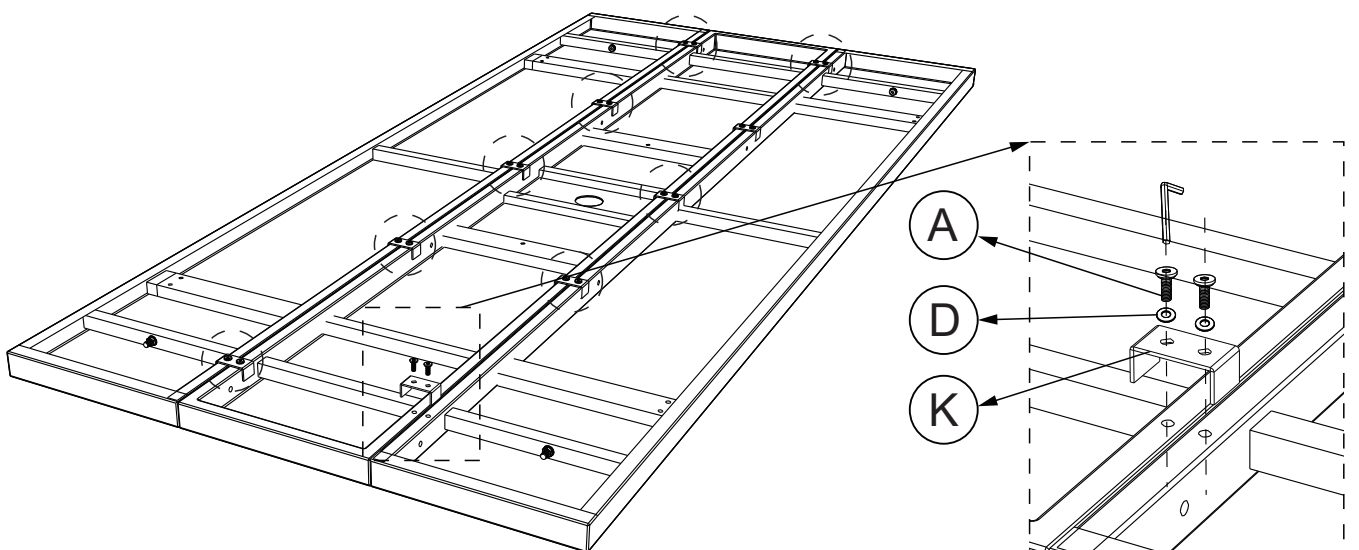
I



J

Step 6

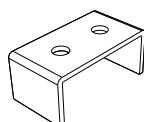
Snap the U-piece into the table frame joint by aligning the holes and secure the bolts (A) into the spacers (D) in the aligned holes.



A×20

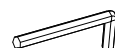


D×20



K×10

Tools:



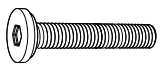
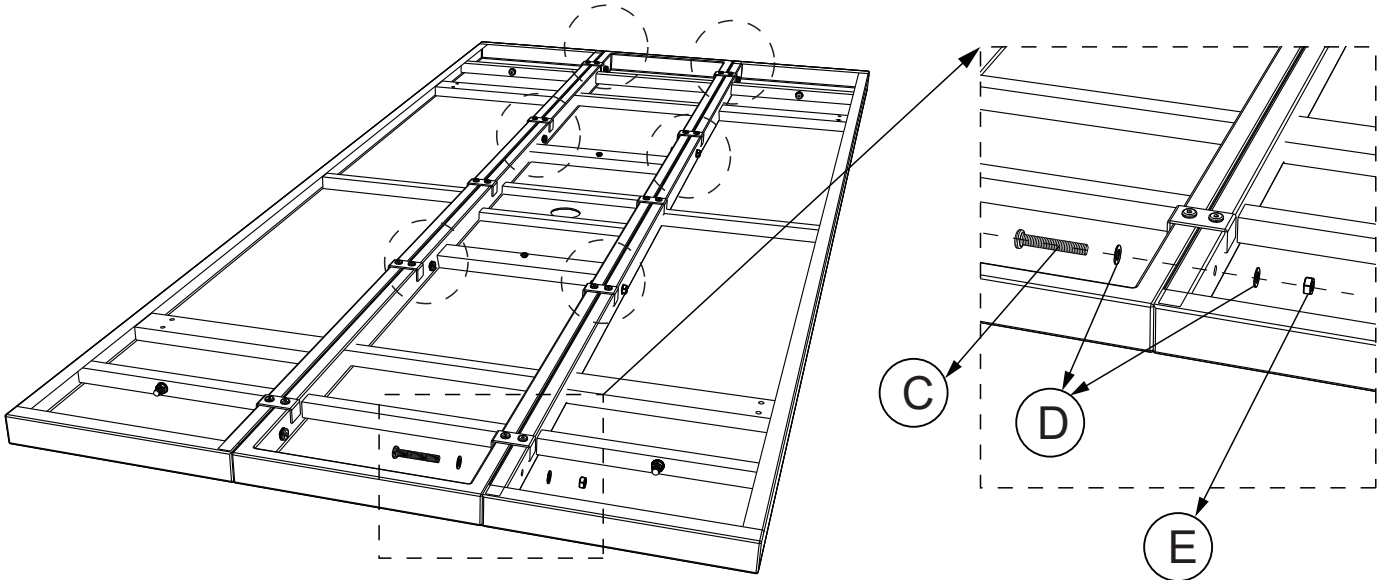
J

Installation steps

Step 7

Slip the bolts (C) into the spacers (D) and then through the through holes on each side of the table plate, slip the spacers (D) on the other side and secure with the jam nuts (E) and install as shown.

NOTE: Tighten all bolts on the table top.



C×8

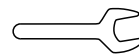


D×16

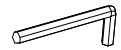


E×8

Tools:



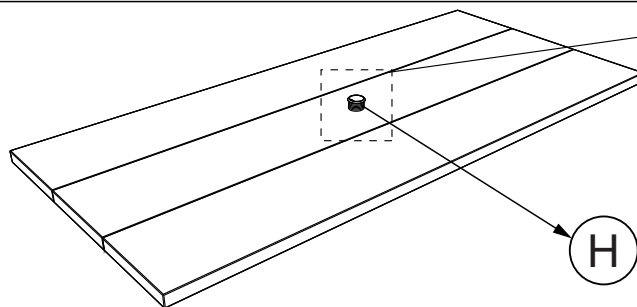
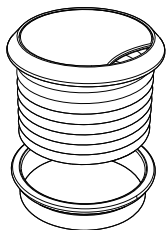
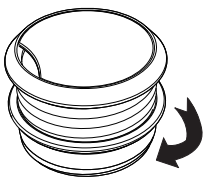
I



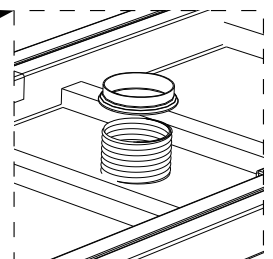
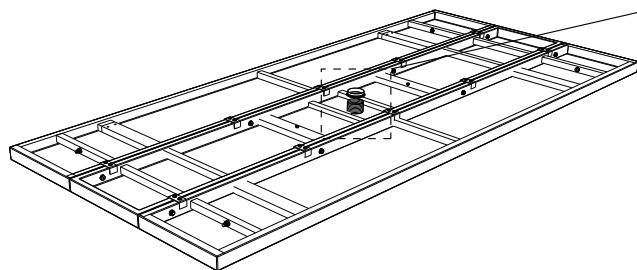
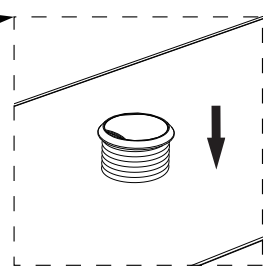
J

Step 8

Rotate the lower side portion of the umbrella cover (H) down and cut it in half. Place the upper side threaded part from the top of the table top, and the lower part from the bottom of the table top back into the top part of the umbrella cover and rotate to secure.



H

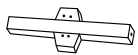
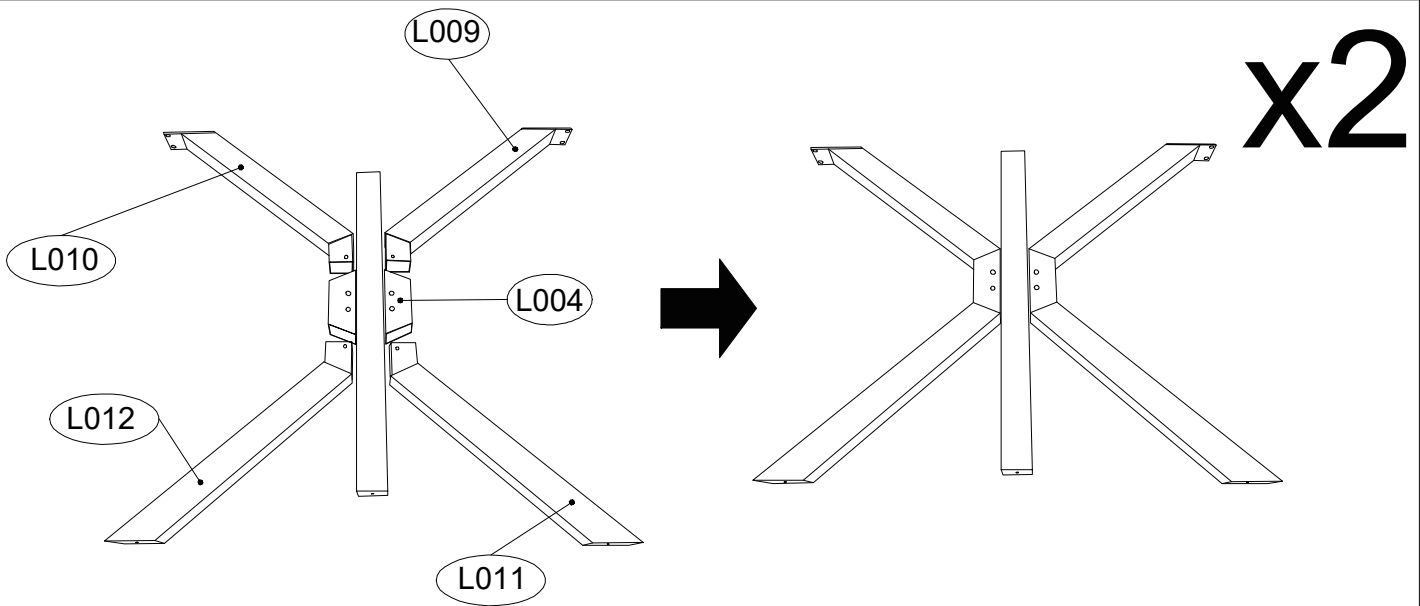


H×1

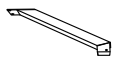
Installation steps

Step 9

Secure Upper diagonal connecting rods(L009 &L010), Bottom diagonal connecting rods(L011 &L012), and Foot frame center column(L004) together without using screws for now.



L004×2



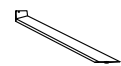
L009×2



L010×2



L011×2



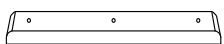
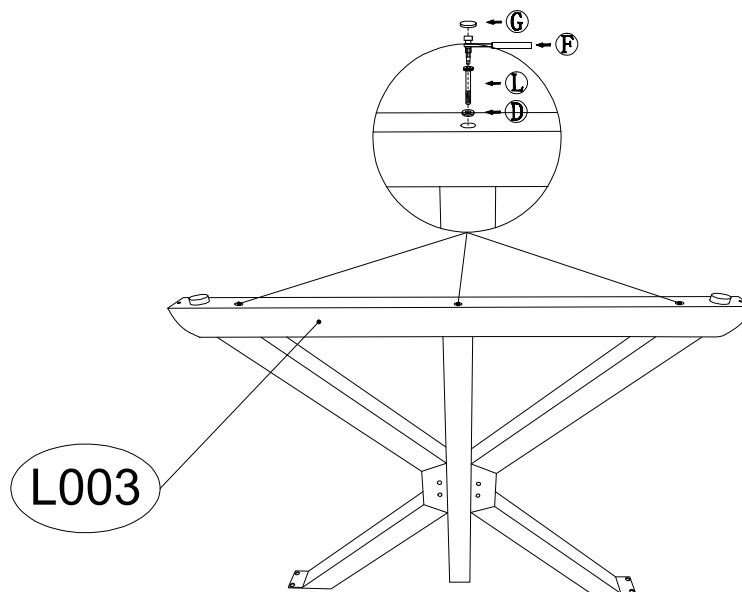
L012×2

Step 10

Secure Foot frame bottom bar(L003) to Foot frame center column(L004) and Bottom diagonal connecting rod(L011 &L012) with screws(L).

NOTE:Do not tighten the screws.

x2



L003 ×2



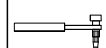
L ×6



D ×6



G ×6



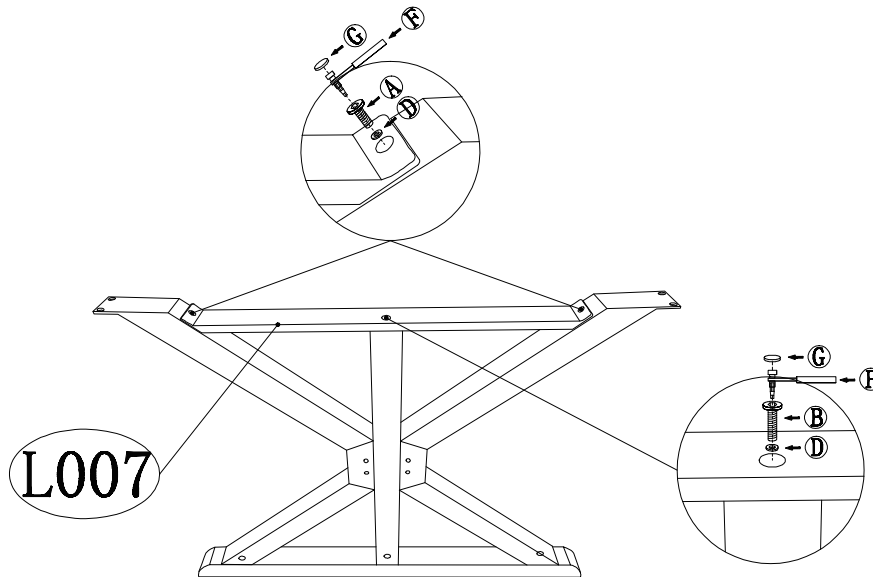
F

Installation steps

Step 11

Secure Foot frame top bar(L007) to Foot frame center column(L004) and Upper diagonal connecting rod(L009 & L010) with screws(A&B).
NOTE:Do not tighten the screws.

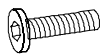
x2



L007×2



A ×4



B ×2



D×6



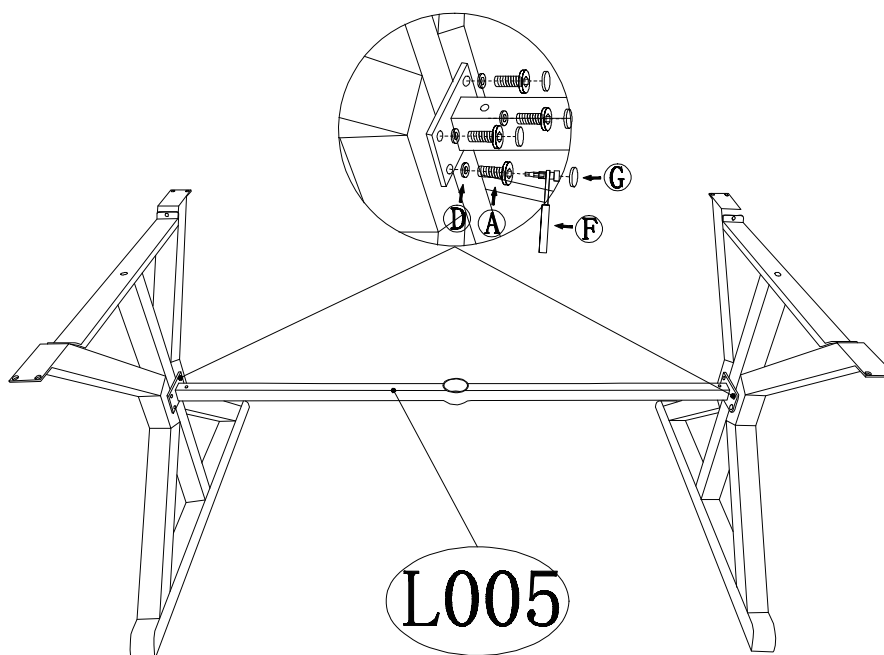
G×6



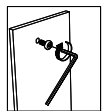
F

Step 12

Secure Connecting crossbar(L005) to Foot frames with screws(A).
NOTE:Do not tighten the screws.



50%



L005



L005×1



A ×8



D×8



G×8

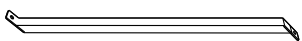
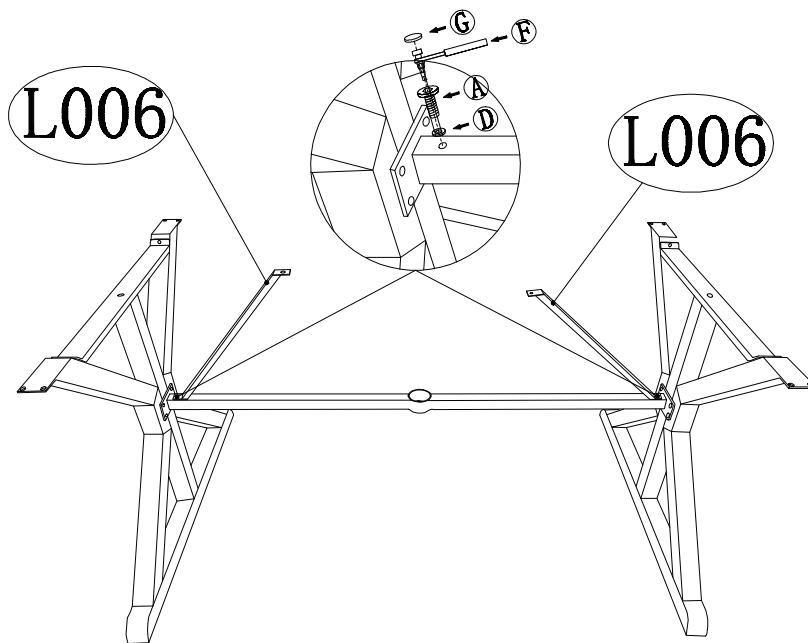


F

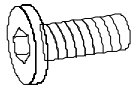
Installation steps

Step 13

Secure Tilt brace(L006) to Connecting crossbar(L005) with screws(A).
NOTE:Tighten the screws



L006×2



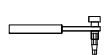
A ×2



D×2



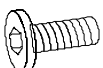
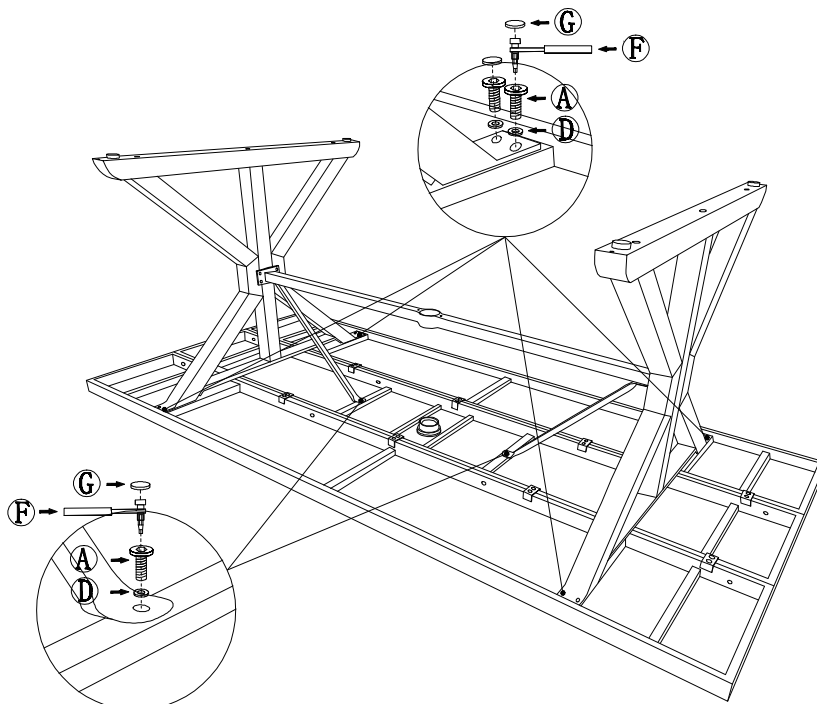
G×2



F

Step 14

Connect the table legs to the tabletop.
NOTE:Tighten the screws



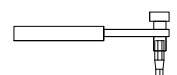
A ×10



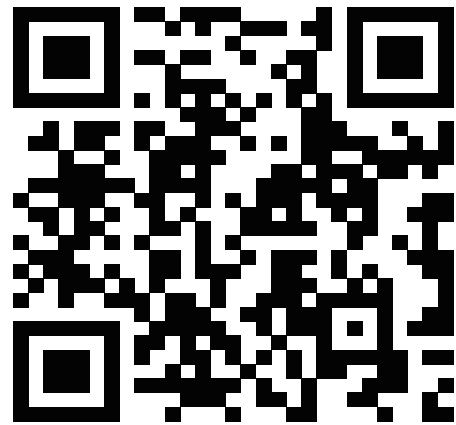
D×10



G×10



F



www.alaulm.com

Make your life much better.