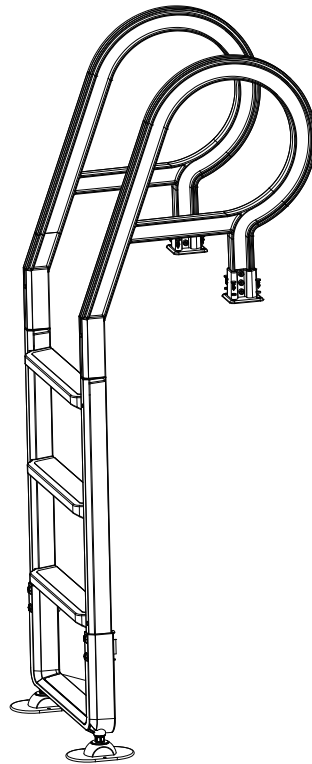




**ABOVE GROUND POOL  
AJUSTABLE DECK LADDER**

**SKU: 75220**

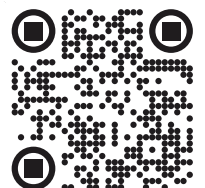


**ASSEMBLY AND USER'S GUIDE**

**IMPORTANT:**

Read all safety warnings and instructions. Failure to follow the warnings and instructions may result in serious injury. Save all warnings and instructions for future reference.

75220 





# TABLE OF CONTENTS

<b>TABLE OF CONTENTS</b> .....	<b>1</b>
<b>IMPORTANT SAFETY INSTRUCTIONS</b> .....	<b>2</b>
<i>LEGENDS AND SYMBOLS</i> .....	2
<b>OVERVIEW (PRODUCT INFORMATION)</b> .....	<b>4</b>
PACKAGING CONTENTS.....	4
SPECIFICATION.....	5
DIMENSIONS.....	5
<b>ASSEMBLY</b> .....	<b>6</b>
STEP 1.....	6
STEP 2.....	6
STEP 3.....	6
STEP 4.....	7
STEP 5.....	7
<b>REPLACEMENT PARTS</b> .....	<b>8</b>
<b>DISCLAIMER</b> .....	<b>9</b>
<i>DISCLAIMER</i> .....	9
<i>CUSTOMER SERVICE AND TECHNICAL SUPPORT</i> .....	9

# IMPORTANT SAFETY INSTRUCTIONS

## IMPORTANT SAFETY INSTRUCTIONS


This guide provides instructions for installing and using the VARIABLE SPEED PUMP. If you have any questions about the equipment, please contact XtremepowerUS.


This guide contains important information about safely installing and operating this product. After installation, make sure to share this information with the owner/operator or leave it with them for their reference.


### *Legends and Symbols*

When you come across the safety-alert symbol on your equipment or in this manual, pay attention to the following signal words and remain vigilant about the potential for personal injury.

 **DANGER:** Ignoring these hazards can result in death, severe personal injury, or significant property damage.

 **WARNING:** Indicates potential hazards that can result in severe personal injury, death, or significant property damage. Ignoring these warnings presents a real danger.

 **CAUTION:** Indicates potential hazards that can result in minor or moderate personal injury, property damage, or actions that are unpredictable and unsafe. Ignoring these cautions presents a potential hazard.

 **NOTE:** This label indicates important special instructions that are not directly related to hazards.

---

### **USE OF NON-XTREMEPOWERUS REPLACEMENT PARTS VOIDS WARRANTY**

**ATTENTION INSTALLER:** This manual contains vital information regarding the installation, operation, and safe use of this product. It is essential to provide this manual to the end user of the product. Failure to read and follow all instructions could lead to severe injuries.

---

 **DANGER**

- NO JUMPING
- NO DIVING

 **WARNING**

- The gap between the pool's inner wall and the ladder must not exceed 4" to prevent entrapment. If the gap is over 4", install the safety kit to prevent drowning.

# IMPORTANT SAFETY INSTRUCTIONS

## CAUTION

- Prevent ladder damage and minimize injury risk by following these careful instructions.
- Install the ladder on a solid base.
- For pool ENTRY / EXIT, face the pool at all times.
- This ladder is only for entering and exiting the pool. Using it for any other purpose may damage the ladder and pool structure.
- To prevent entrapment or drowning, do not swim through, behind, or around the ladder.
- Maximum weight limit: 225 LBS.

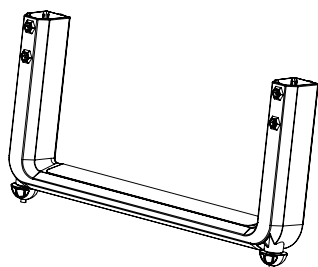
## NOTE

- This ladder is intended for use with above-ground pools measuring 48", 52", or 54" in height.
- For winter, remove the ladder from the pool and store it in a dry place.

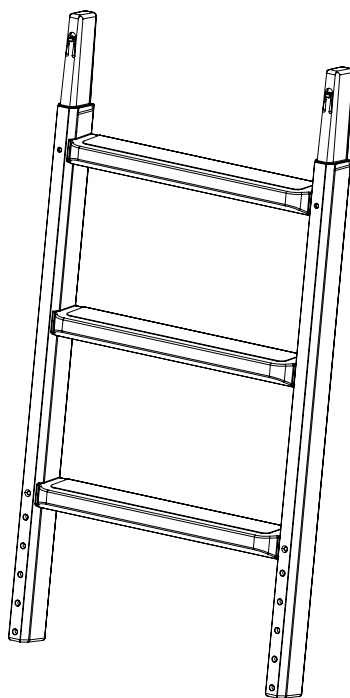
# OVERVIEW (PRODUCT INFORMATION)

## OVERVIEW (PRODUCT INFORMATION)

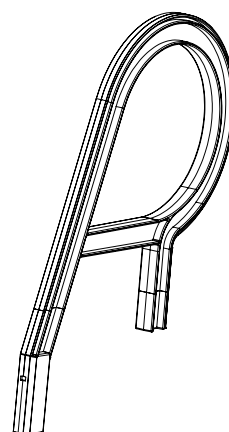
### PACKAGE CONTENTS



**PART#: 1**  
1 PC(S)



**PART#: 2**  
1 PC(S)



**PART#: 3**  
2 PC(S)



**PART#: 4**  
2 PC(S)



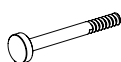
**PART#: 5**  
2 PC(S)



**PART#: 6**  
2 PC(S)



**PART#: 7**  
2 PC(S)



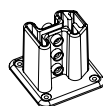
**PART#: 8**  
4 PC(S)



**PART#: 9**  
4 PC(S)



**PART#: 10**  
4 PC(S)



**PART#: 11**  
2 PC(S)



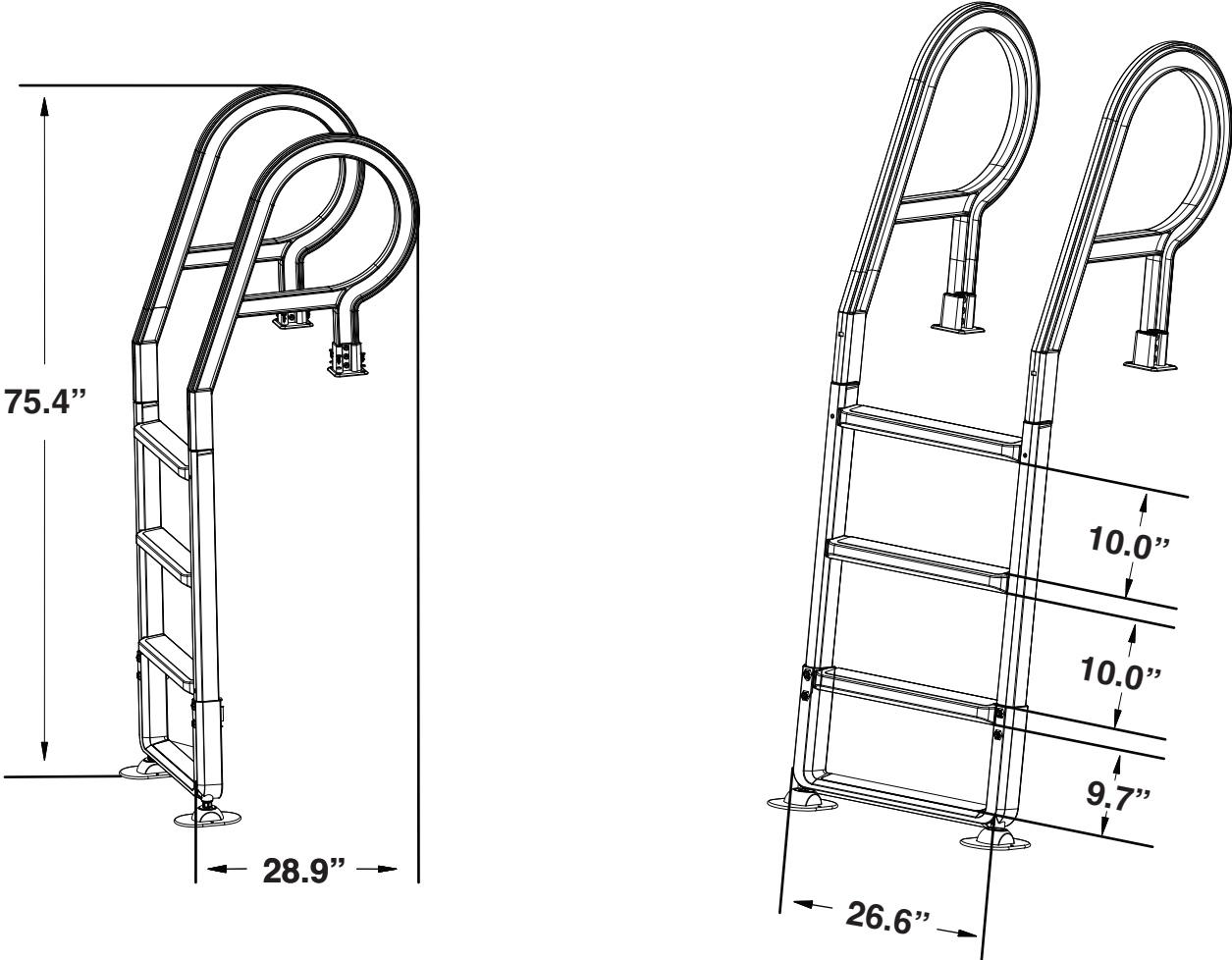
**PART#: 12**  
12 PC(S)



**PART#: 13**  
12 PC(S)

# OVERVIEW (PRODUCT INFORMATION)

## DIMENSIONS



## SPECIFICATIONS

<b>Model</b>	<b>75220</b>
<b>Material</b>	PP
<b>Product Weight</b>	23.57 LBS
<b>Dimensions</b>	26.6" x 75.4" x 28.9"
<b>Adjustable Height</b>	48" / 52" / 54"

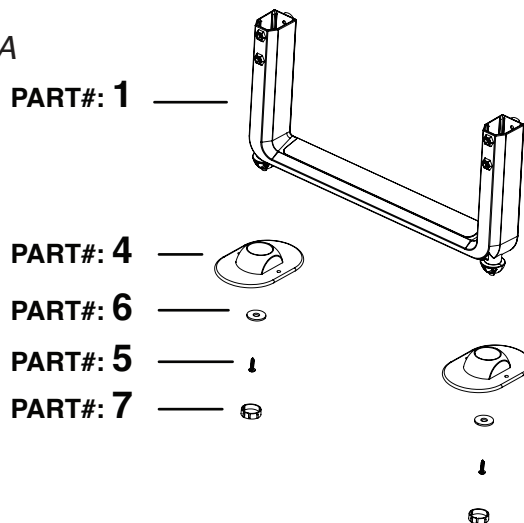
# ASSEMBLY

## ASSEMBLY INSTRUCTIONS

### STEP 1

- Assemble the base by attaching two feet PART# 4 to a "U" shaped ladder base PART# 1 using one stainless steel screw PART# 5, washer PART# 6, and plastic cap PART# 7 per foot. See *FIGURE A*.

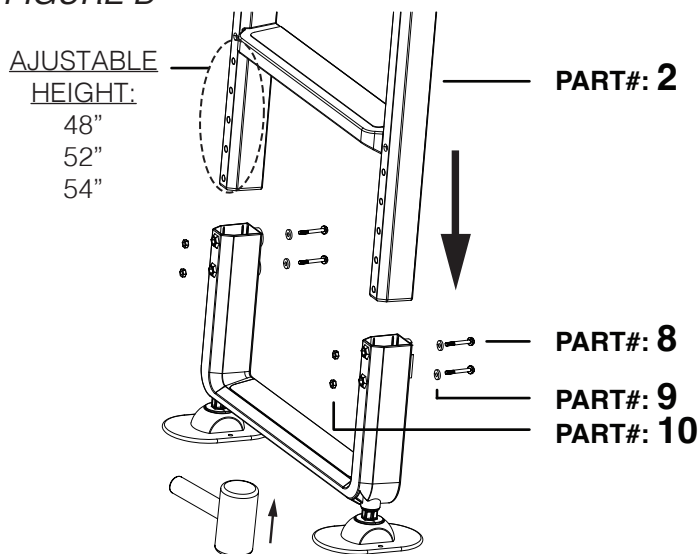
*FIGURE A*



### STEP 2

- Insert the ladder frame PART# 2 into the base assembly *FIGURE A*. Match the ladder frame PART# 2 plus base *FIGURE A* to the pool height—48", 52", or 54". Secure by inserting four bolts PART# 8 through pre-drilled holes and tighten with washers PART# 9 and nuts PART# 10. See *FIGURE B*.

*FIGURE B*



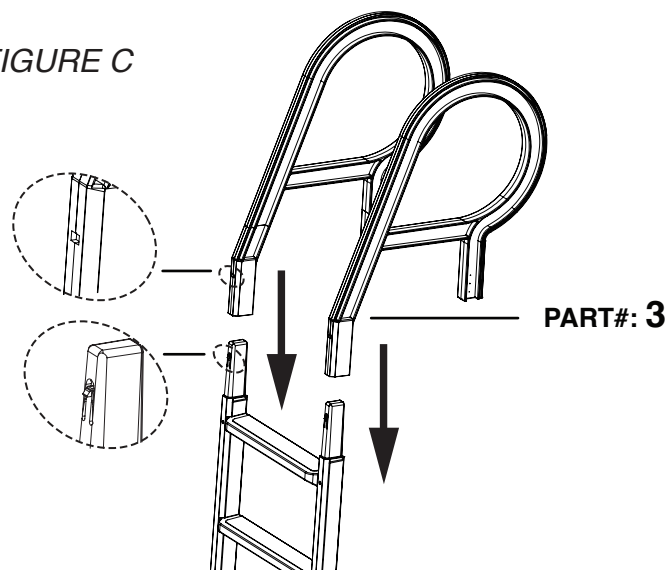
### ★ NOTE

- A mallet or similar tool may be used for a more compact fit during installation.

### STEP 3

- Alignment is key. If necessary, adjust with appropriate tools.
- Place the handrail PART# 3 into the assembled ladder *FIGURE B*. See *FIGURE C*.

*FIGURE C*



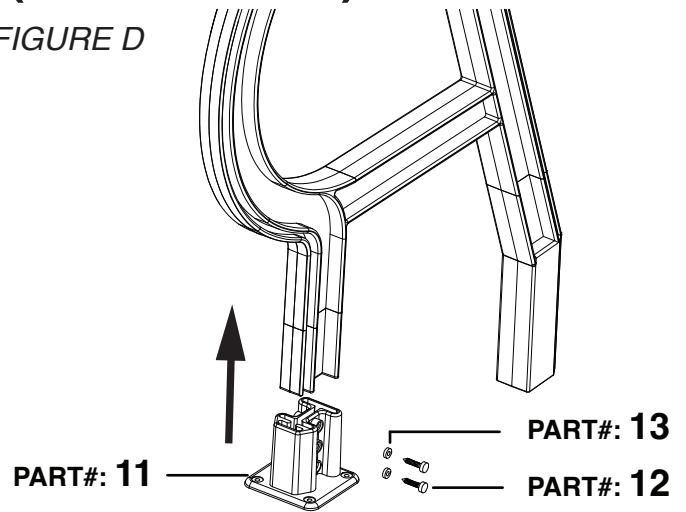
# ASSEMBLY

## ASSEMBLY INSTRUCTIONS (CONTINUED)

### STEP 4

- Fit the bases PART# 11 to the ends of the handrails and secure with the provided screws PART# 12 and washers PART# 13. Adjust the height as needed. See *FIGURE D*.

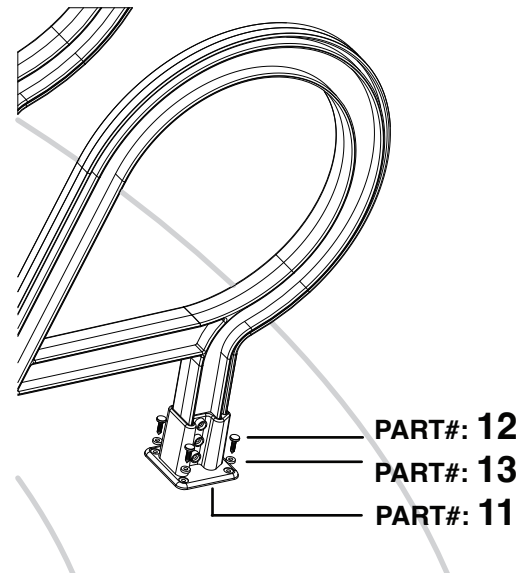
FIGURE D



### STEP 5

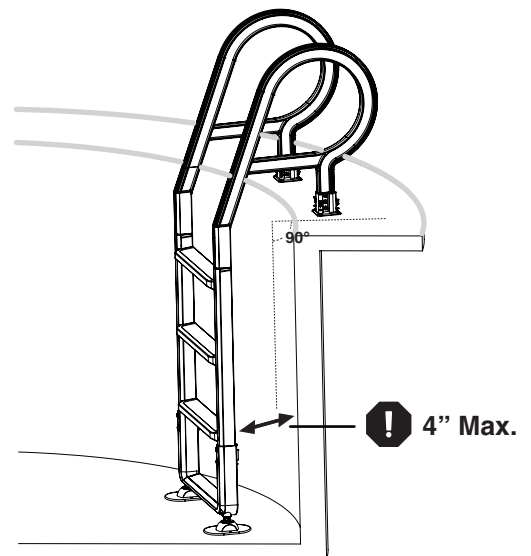
- Firmly secure the bases PART# 11 to the platform, using the washers PART# 13 and screws PART# 12. See *FIGURE E*.

FIGURE E



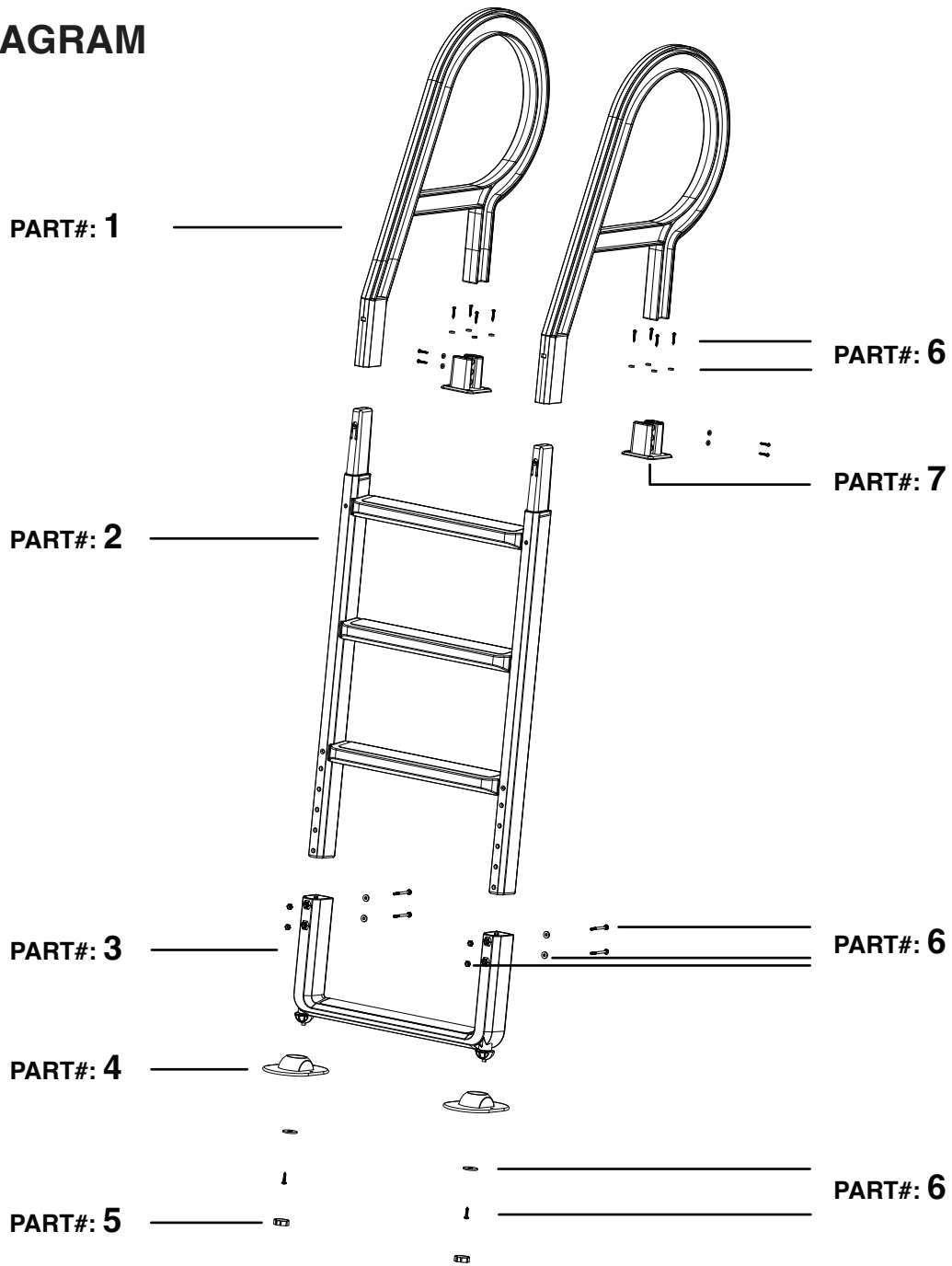
### ⚠ WARNING

- Maintain a space of 4" or less between the pool's inner wall and the ladder to avoid the risk of becoming trapped.
- This ladder is designed solely for getting into and out of the pool. Misuse could cause damage to both the ladder and the pool's structure.
- A gap exceeding 4 inches necessitates the installation of a safety kit to prevent the risk of accidental drowning.



# REPLACEMENT PARTS

## REPLACEMENT PARTS PARTS DIAGRAM



ITEM	PART NO.	DESCRIPTION	QUANTITY
1	47153901001	HANDRAIL/MAIN COURANTE	2
2	47153902001	PEDAL SPPORT/SUPPORT	1
3	647153971000	TELESCOPIC SUPPORT/SUPPORT TÉLESCOPIQUE	1
4	47153906001	BASE	2
5	47153907001	SCREW COVER/CACHE VIS	2
6	65862082000	PACKAGE OF SCREW/EMBALLAGE DE VIS	1
7	47153905001	ARMREST HOLDEUR/SUPPORT DE MAIN COURANTE	2

# DISCLAIMER

## DISCLAIMER

### ***PLEASE READ THE FOLLOWING CAREFULLY***

---

The manufacturer and/or distributor have provided the parts list and assembly diagram in this manual for reference purposes only. They do not make any representation or warranty to the buyer that they are qualified to make repairs to the product or replace any parts of the product. In fact, the manufacturer and/or distributor expressly state that all repairs and parts replacements should be undertaken by certified and licensed technicians, and not by the buyer.

The buyer assumes all risk and liability arising from their repairs to the original product or replacement parts or arising from their installation of replacement parts. It is strongly advised that qualified professionals handle any repairs or replacements to ensure safety and proper functioning of the product. Improper installation and operation may result in injury, property damage, or voiding of warranty. The manufacturer and/or distributor shall not be held responsible for any accidents, damages, or malfunctions resulting from the buyer's installation and operation of the product. It is essential to follow all safety guidelines and recommendations provided in this manual and to seek professional assistance if unsure about the installation or operation procedures.

---

## CUSTOMER SERVICE

If you have any questions about ordering our pool pumps and replacement parts or pool products, please feel free to contact us using the following contact information:

### ***Customer Service and Technical Support***

**Phone:** (909) 628-0880

**Email:** [customer@xtremepowerusa.com](mailto:customer@xtremepowerusa.com)

**Hours of Operation:** Monday – Friday, 9AM – 4PM (CST)

---