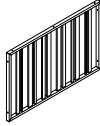
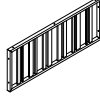




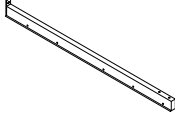
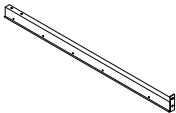




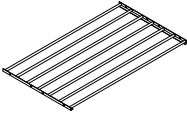
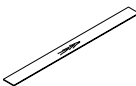
ASSEMBLY INSTRUCTION

Twin Size Bed

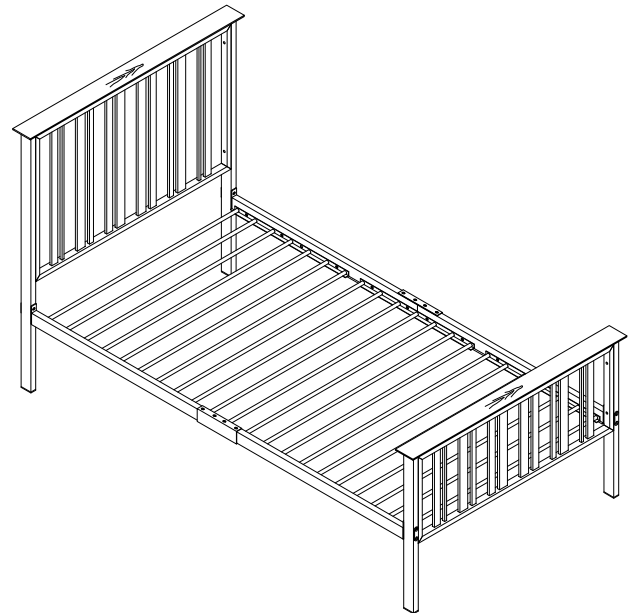
Thank you for purchasing this quality product. Be sure to check all packing materials carefully for small parts which may have come loose inside the carton during shipment. Separate, identify, and count all parts and metal hardware. Compare with parts list to be sure all parts are present. If any part(s) are missing or damaged, please contact your local furniture dealer. For efficient and speedy service, please indicate the model number and code letter of the part(s) needed.

***** Do not fully tighten screws until fully assembled *****

COMPONENT PARTS		
DECERPTION	PART NAME	Q'TY(PCS)
①	HB 	1pc
②	FB 	1pc
③	Left HB Leg 	1pc
④	Right HB Leg 	1pc
⑤	Right FB Leg 	1pc
⑥	Left FB Leg 	1pc
⑦	Right Bed Tube 	2pcs
⑧	Left Bed Tube 	2pcs
⑨	Inner Connection panel 	2pcs

⑩	Outer Connection panel		2pcs
⑪	Bed Board		3pcs
⑫	Decorative Board		2pcs

HARDWARE REQUIRED:	
①	Bolt 1/4"x5/8" - 20pcs
②	Bolt 1/4"x1-3/8" - 14pcs
③	Bolt 1/4"x1-5/8" - 4pcs
④	Bolt 1/4"x3" - 4pcs
⑤	Bolt 5/16"x5/8" - 16pcs
⑥	Nut M6x27 - 4pcs
⑦	Allen Wrench M4 - 2pcs
⑧	Allen Wrench M5 - 1pc



Attention:

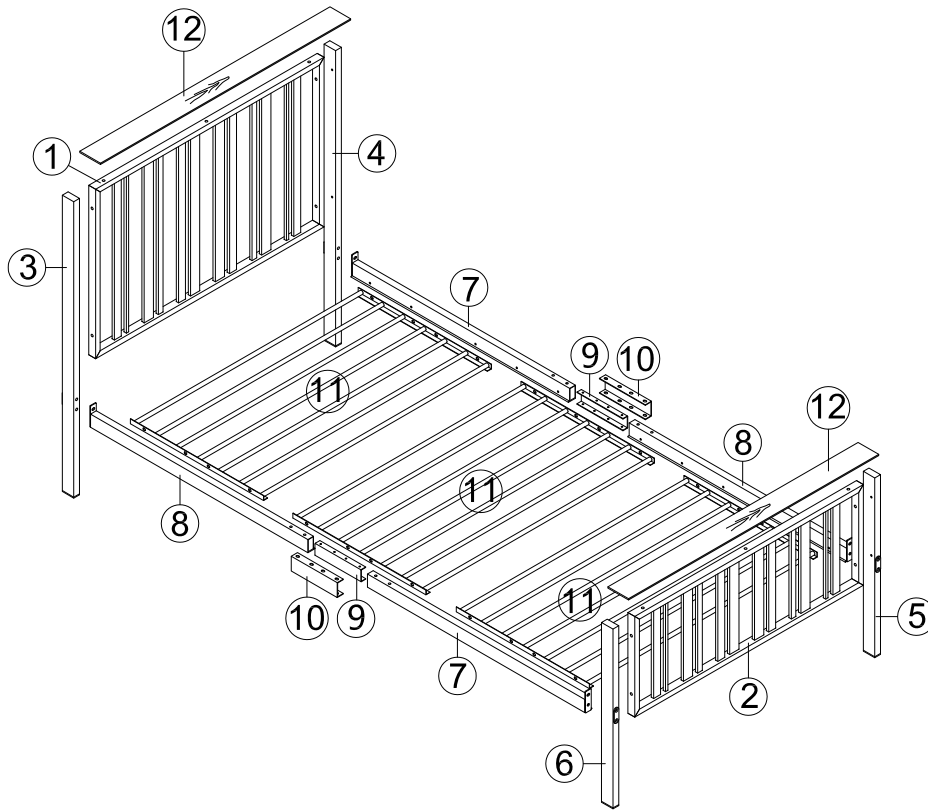
***Mattresses not included.

***Some number parts listed on the instruction sheet may not be in parts bag as they may already be assemble.
Carefully check parts and packing materials prior to ordering replacements.

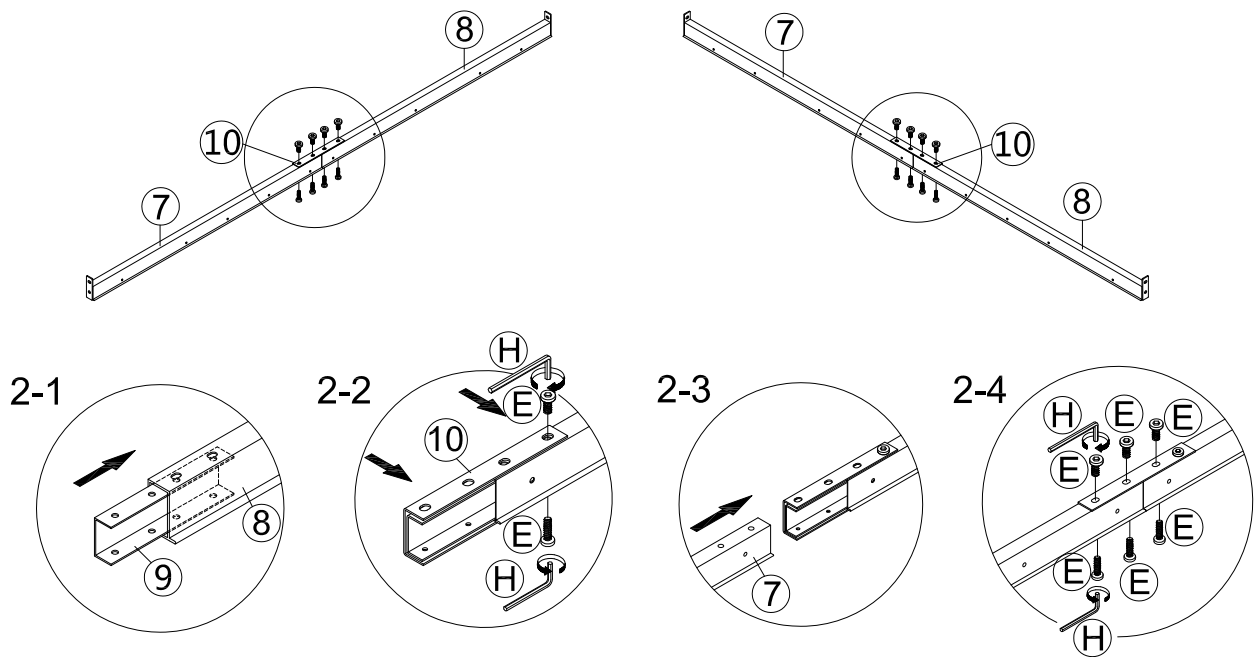
How to Assemble:

STEP 1.

Exploded View



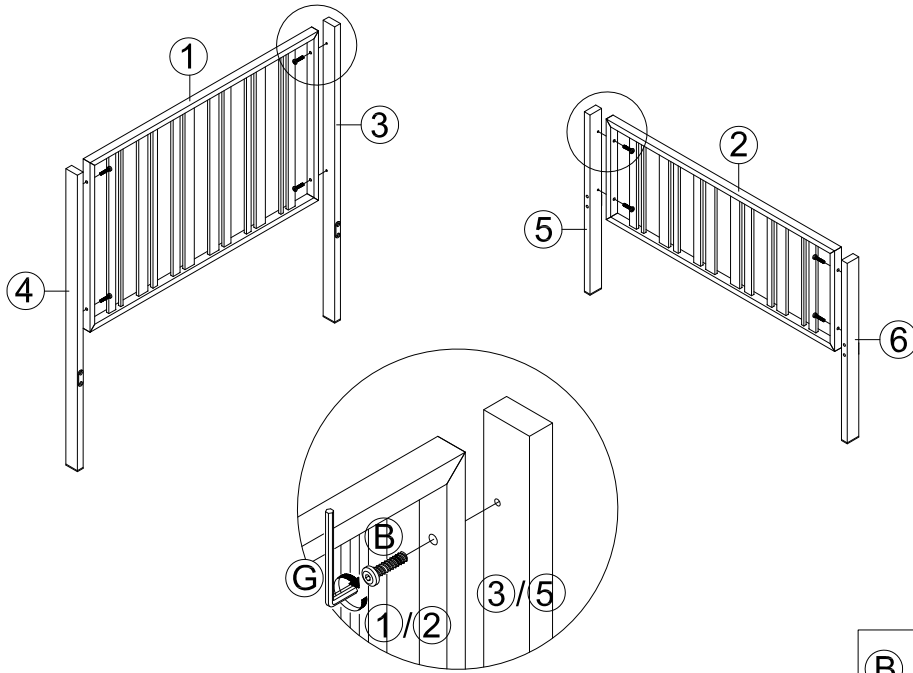
STEP 2.



(E) (H) 16pcs

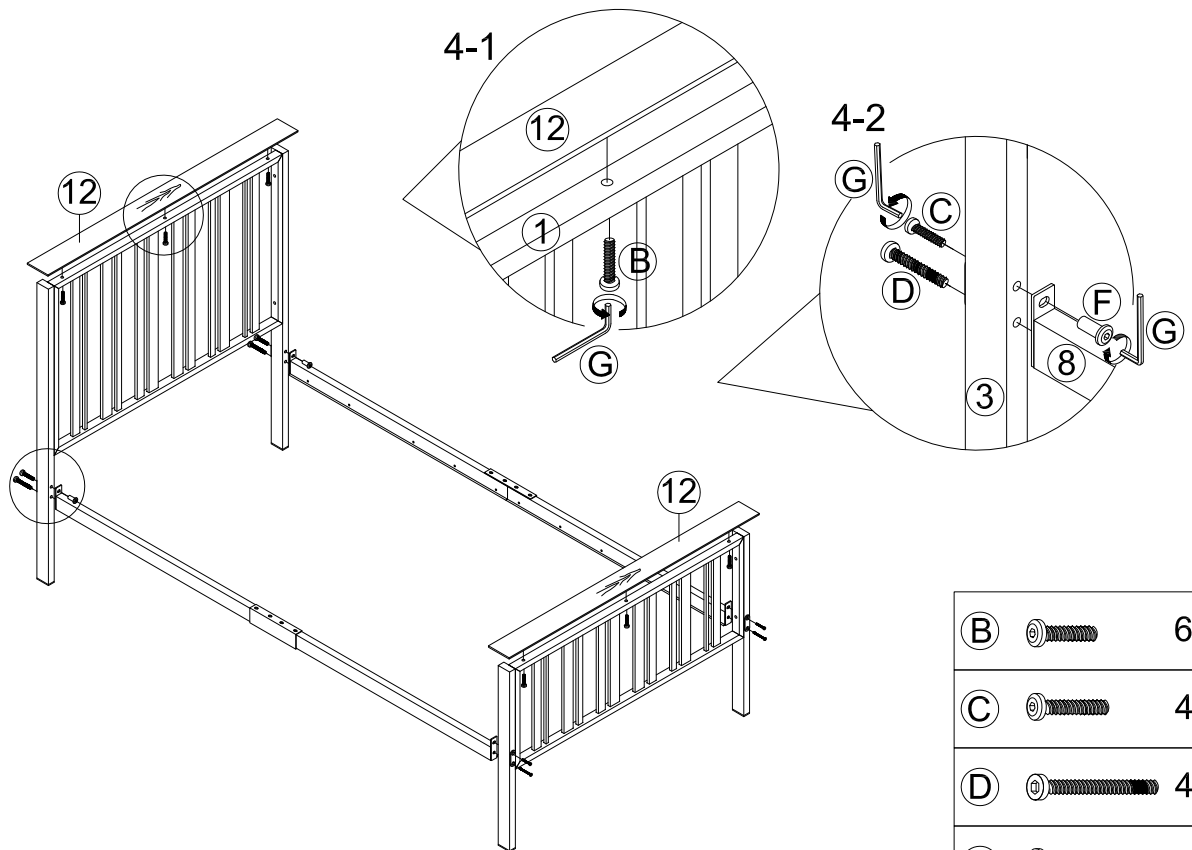
How to Assemble:

STEP 3.



(B)  8pcs

STEP 4.



(B)  6pcs

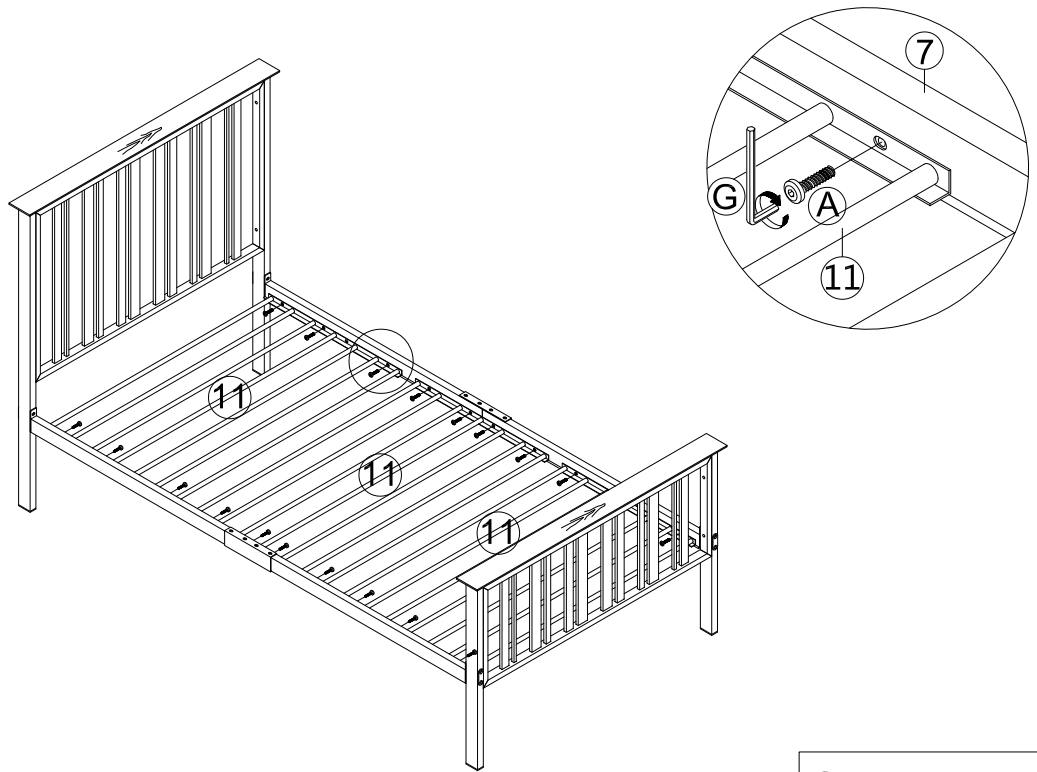
(C)  4pcs

(D)  4pcs

(F)  4pcs

How to Assemble:

STEP 5.



(A)  20pcs

STEP 6.

