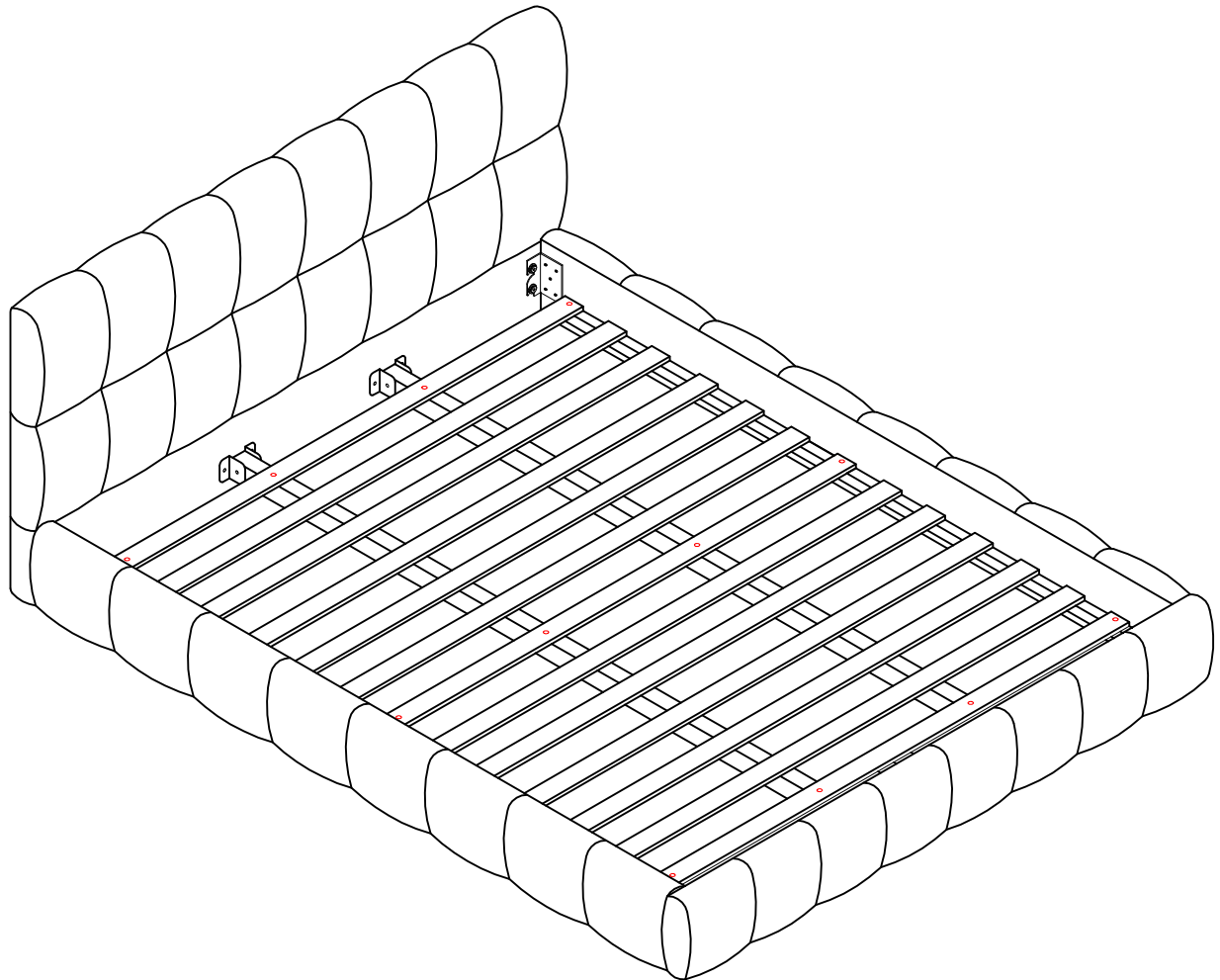
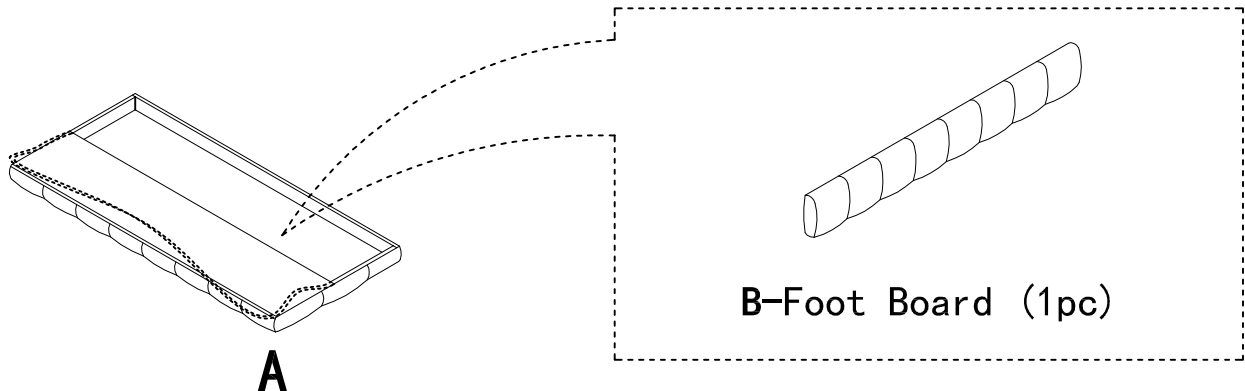


ASSEMBLY INSTRUCTIONS



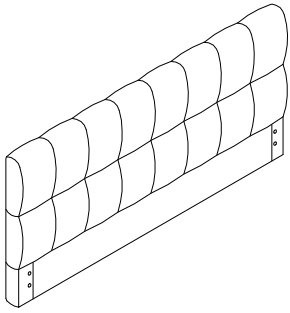
NOTE: The slats are stored at the bottom of Section A

STEP : Packing Details

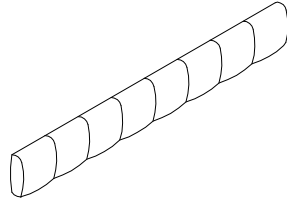


PARTS AND HARDWARE

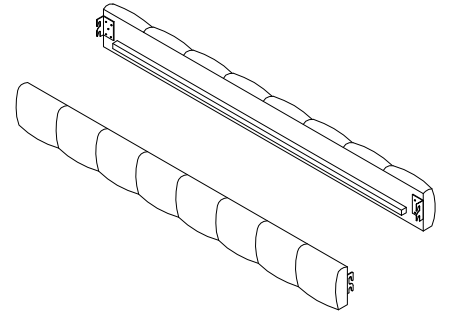
Parts List



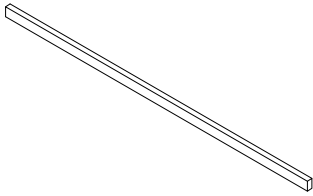
A-HeadBoard (1pc)



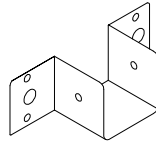
B-Foot Board (1pc)



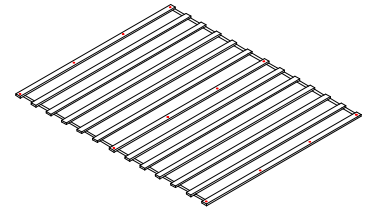
C-Side Rails (2pcs)



D-Center Support Bar (2pcs)

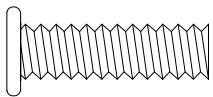


E- (4pcs)

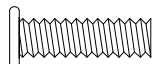


F-Slats (13pcs)

HARDWARE LIST:



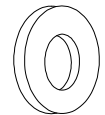
m8*30
1 -Bolt (8pcs)



m6*25
2 -Bolt (8pcs)



m8
3 -Spring Washer (8pcs)



m8*16
4 -Flat Washer (8pcs)



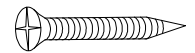
m6*16
5 -Flat Washer (8pcs)



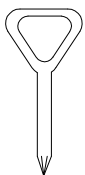
m8
6 -Allen Key (1pcs)



m6
7 -Allen Key (1pcs)



M4*25
8 - Screw (12pcs)



9 -Allen Key (1pcs)

ASSEMBLY INSTRUCTIONS

STEP 1:



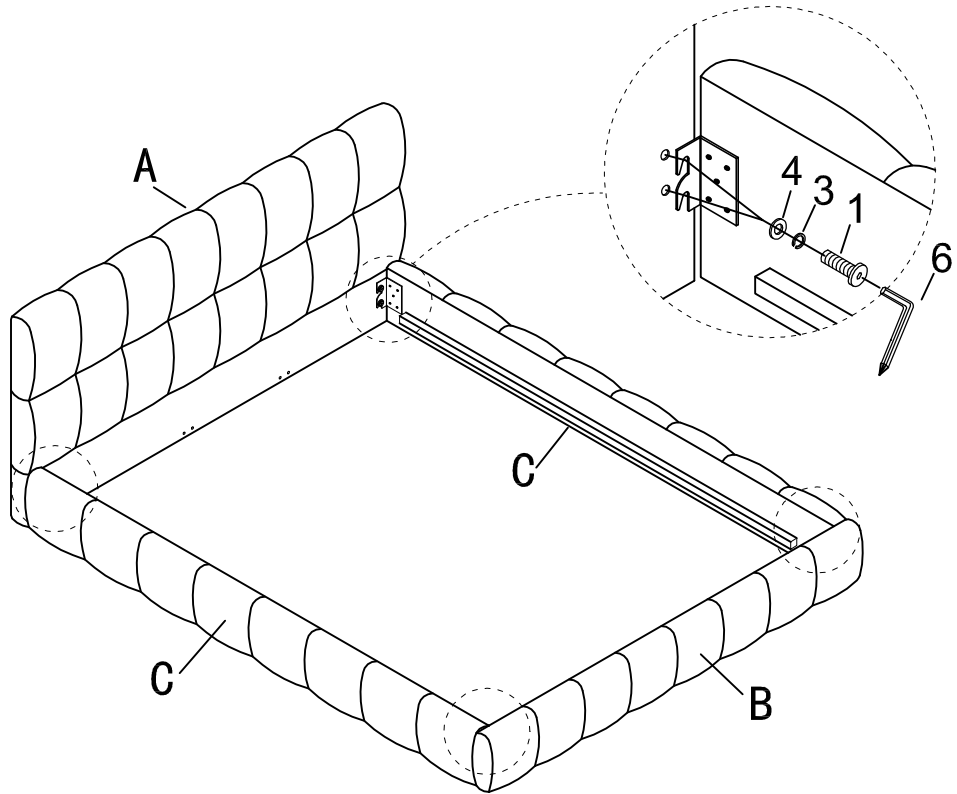
m8*30
1 -Bolt (8pcs)



3 -Spring Washer
(8 pcs)



m8*16
4 -Flat Washer
(8pcs)



STEP 2:



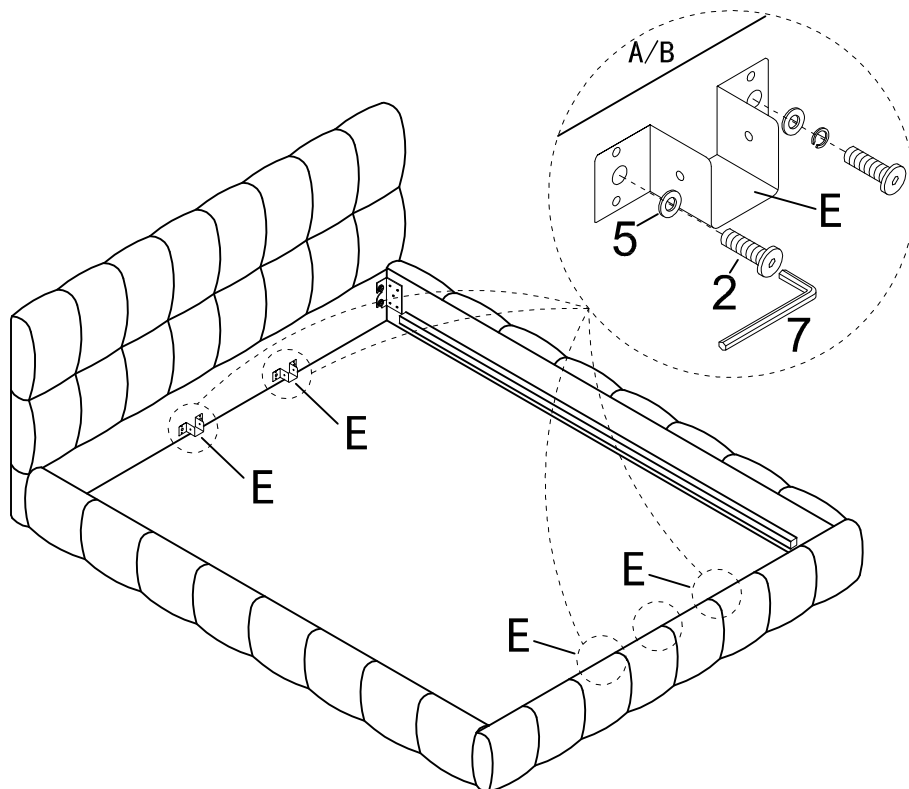
m6*25
2 -Bolt (8pcs)



m6*16
5 -Flat Washer
(8pcs)



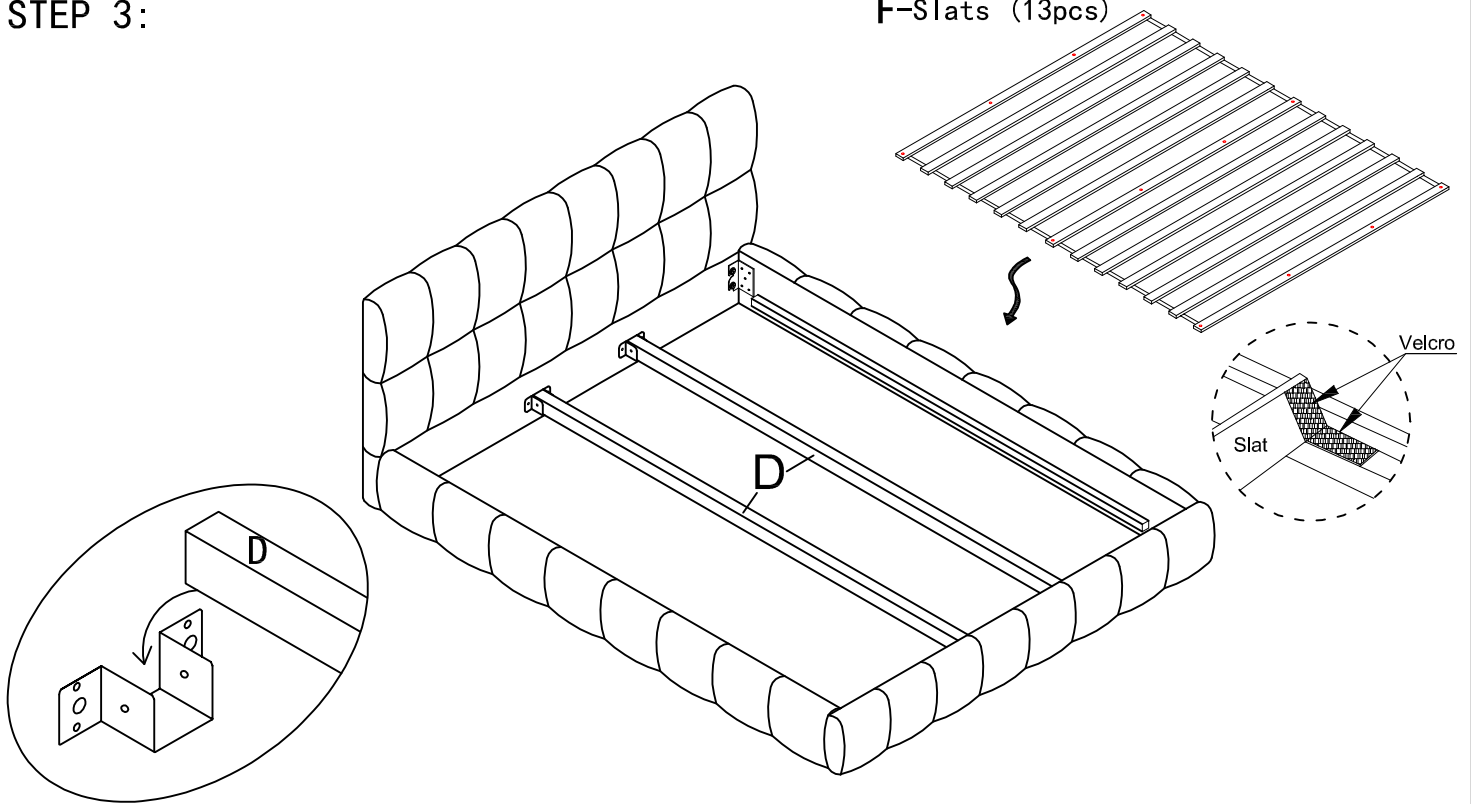
E- (4pcs)



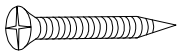
ASSEMBLY INSTRUCTIONS

STEP 3:

F-Slats (13pcs)



STEP 4:



M4*25

8 - Screw (12pcs)

