

Ceiling Fan
Installation Instruction



SAFETY INFORMATION

Please read all safety information and instructions before installing the ceiling fan and save this manual for future reference.

SAFETY INFORMATION	01
PRE-INSTALLATION	02
INSTALLATION INSTRUCTION	04
OPERATION INSTRUCTION	08
SPECIFICATIONS	09
TROUBLESHOOTING	10



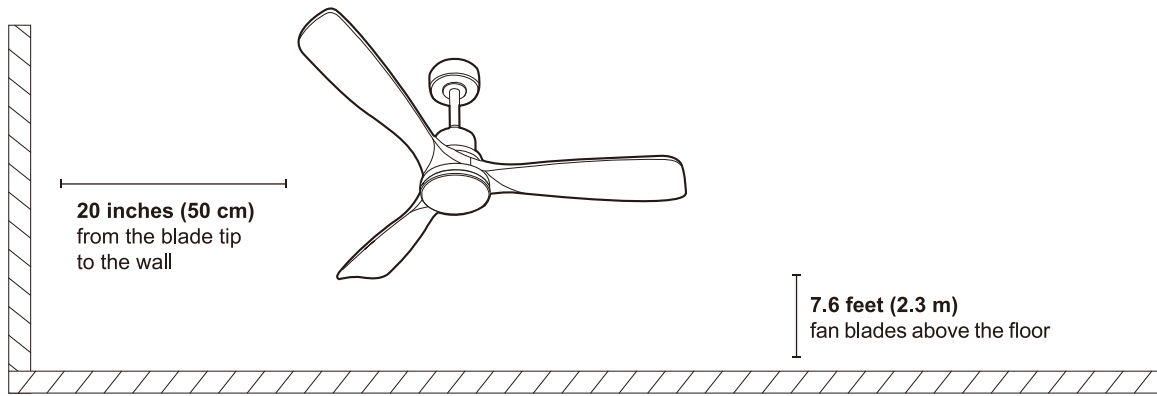
SAFETY INFORMATION



WARNING

- Before connecting the power supply, make sure that the power supply used matches the specifications of the ceiling fan.
- All wiring must comply with national and local electrical codes ANSI/NFPA70. If you are not familiar with wiring, please use a qualified electrician.
- To reduce the risk of fire or electric shock, **turn off the power** to the fuse box or circuit breaker before installing the fan.
- To reduce the risk of personal injury, attach the fan directly to the building's support structure and ensure that it can accept at least 35 pounds (15.9 kg).
- Make sure that the installation location allows the fan blades to rotate without obstacles.

Installation Location



WARNING

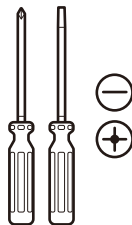
- Do not install the fan with wet hands.
- Do not insert foreign objects between the rotating fan blades.
- Do not bend the fan blades when installing or cleaning the fan.
- Do not disassemble or modify this product or use non-original parts without permission.
- Keep children away from your working area.
- Properly dispose of the fan's packaging material.
- Make sure the ceiling fan is firmly secure to the ceiling. Double check all connections before you restore power.
- Turn off the fan and wait for the blades to stop completely before performing any maintenance or cleaning.
- Do not use with a solid-state dimmer switch. This fan is equipped with a DC motor and remote control system. Connecting it to a wall dimmer switch will cause the fan to malfunction or damage the motor. Use standard ON/OFF wall switches only.

PRE-INSTALLATION

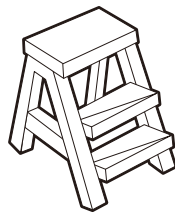
Tools Required (Not Included)



Power Drill



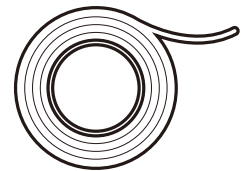
Screwdriver



Step Ladder



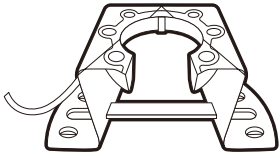
Wire Stripper



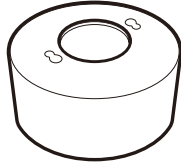
Electrical Tape



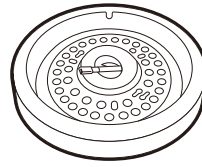
Parts List



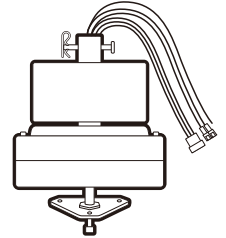
Mounting Bracket X 1



Canopy X 1



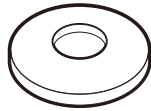
LED Board X 1



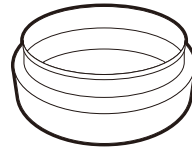
Motor X 1



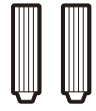
Coupling Cover X 1



Canopy Cover X 1



Light Cover X 1



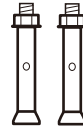
Aircraft Cap X 2



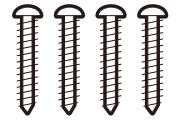
Blade Screw Gasket X 8



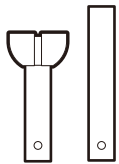
Remote Bracket Screw X 2



Expansion Bolt X 2



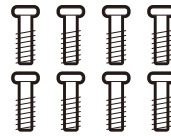
Self-tapping Screw X 4



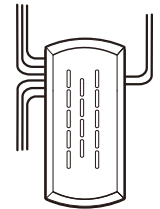
Downrod X 2



Wire Caps Screw Terminals X 3



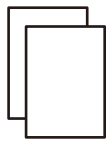
Blade Screw X 8



Receiver X 1



Fan Blade X 3



Balance Kit X 2



Remote Control Bracket X 1

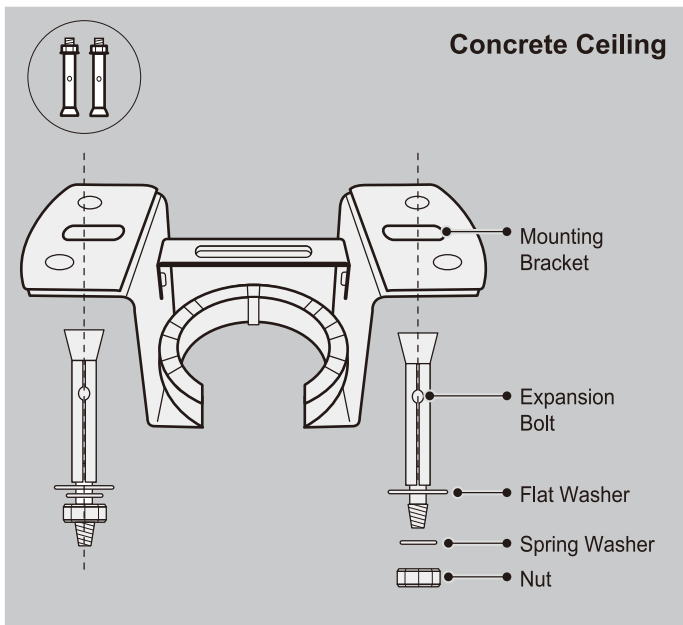


Remote Control X 1

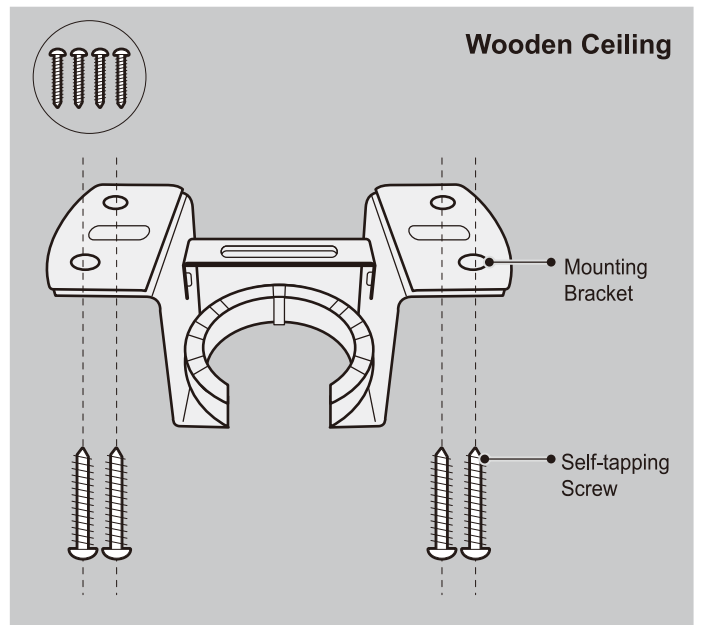


INSTALLATION INSTRUCTION

Step 1: Mounting Bracket Installation

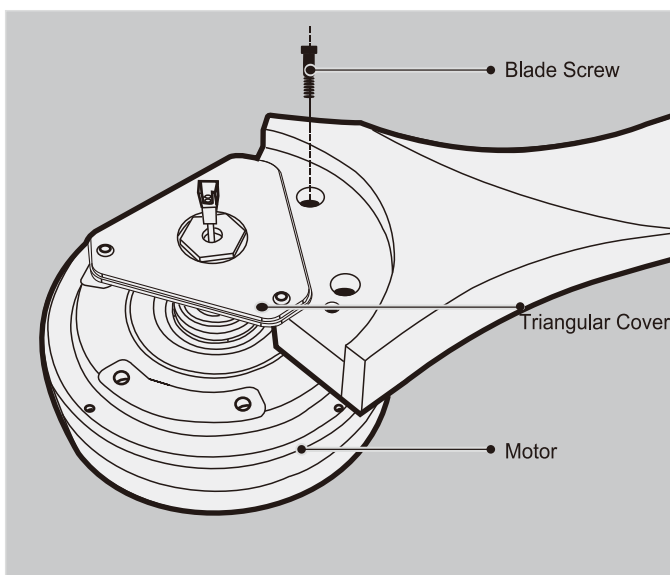


1. Drill holes with electric drill ($\phi 8$ mm).
2. Use expansion screws to fix the mounting bracket to the ceiling.



Fasten the mounting bracket to the ceiling with self-tapping screws.

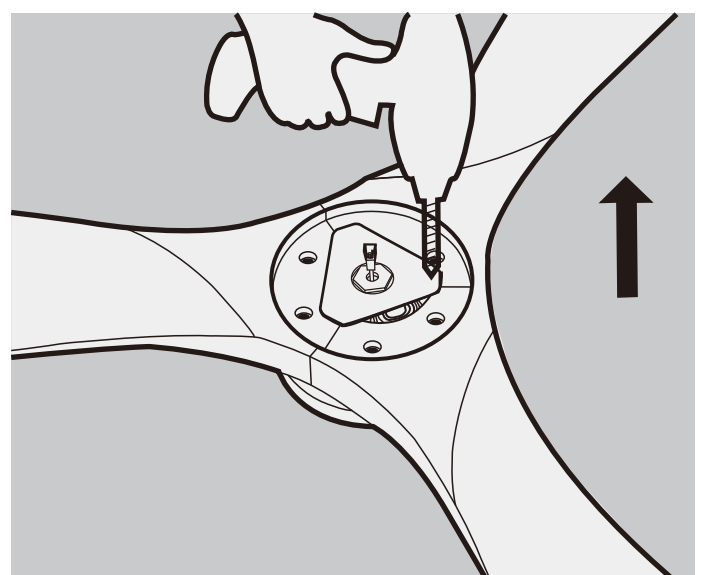
Step 2: Fan Blade Installation



- 1 Clamp the fan blade under the triangular cover and fix the fan blade to the motor with screws and gaskets.

Note:

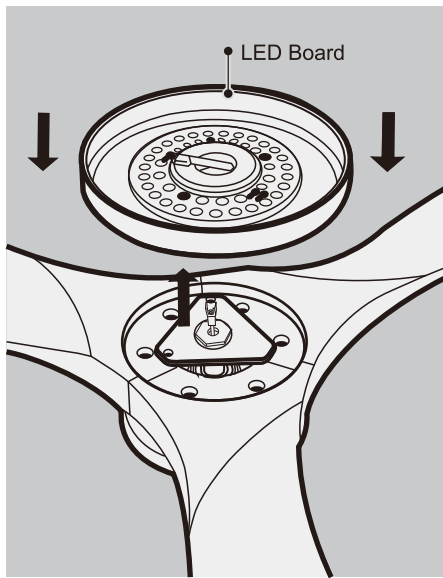
- The fan blade needs to be aligned with the "center" position of the screw hole group.
- Do not lock the screws when installing the blades and then tighten all the screws after all the fan blades are installed.



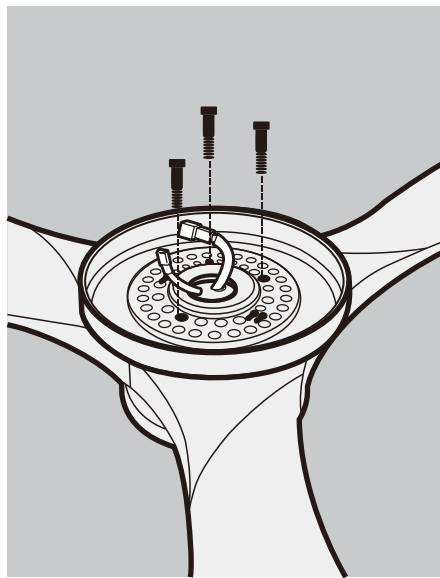
- 2 Loosen the screws of the upper triangular cover of the motor with an electric drill.



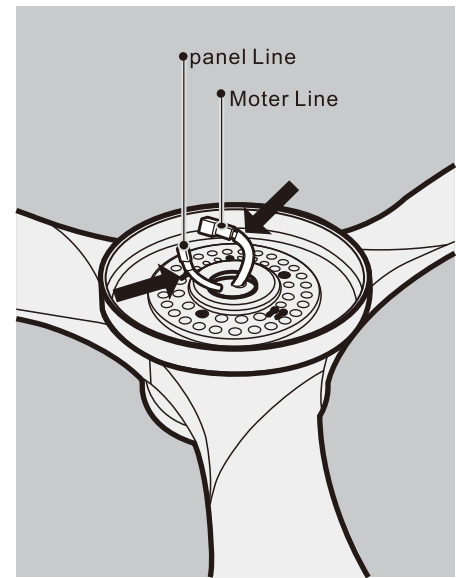
Step 3: Installation of LED Board



③ Thread the motor line through the LED board, then align the LED board with the triangular cover on the motor and put it on.



④ Install the screws on the triangular cover into the corresponding holes.



⑤ Connect the motor line and the lamp panel line.

Step 4: Change Downrod(OPT)

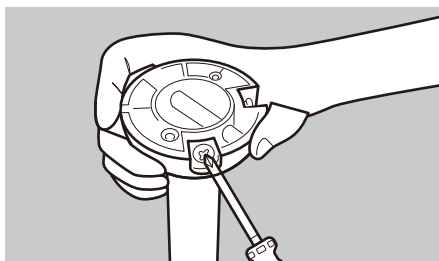
Choosing the Right Downrod:

- For a ceiling height of 100 inches, use the 5-inch downrod.
- For a ceiling height of 110 inches, use the 10-inch downrod.
- For a ceiling height of 120 inches, use a 14-inch downrod (sold separately).

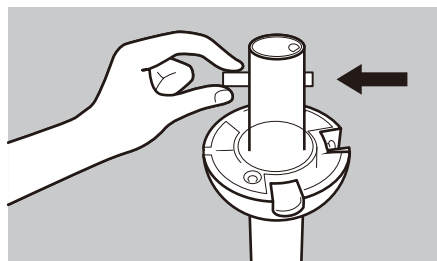
Extension Wiring:

- If your installation requires a downrod longer than 1.5m (approx. 59 inches), extended motor wires are required.
- Important: Please contact us for a customized extension kit. Do not use unauthorized wire extensions, as incorrect wire gauge (thickness) can change the resistance and cause the motor or receiver to malfunction.

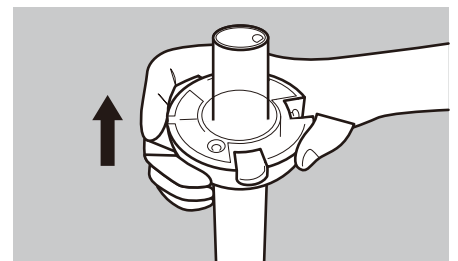
If you need to change different length downrod, please follow these steps:



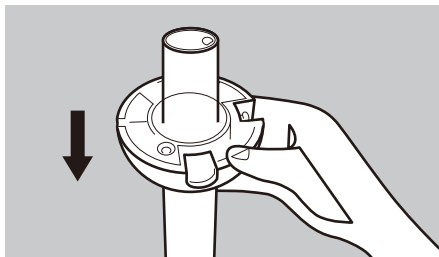
① Loosen the screws on the hanging ball.



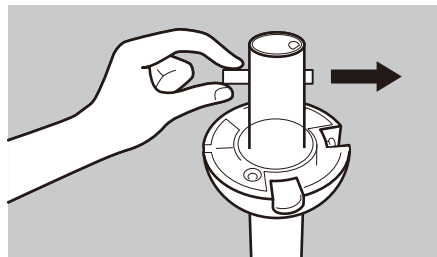
② Remove the metal bar.



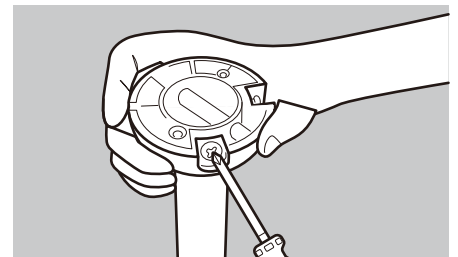
③ Take off the hanging ball from the original downrod.



④ Install the hanging ball to an appropriate downrod.



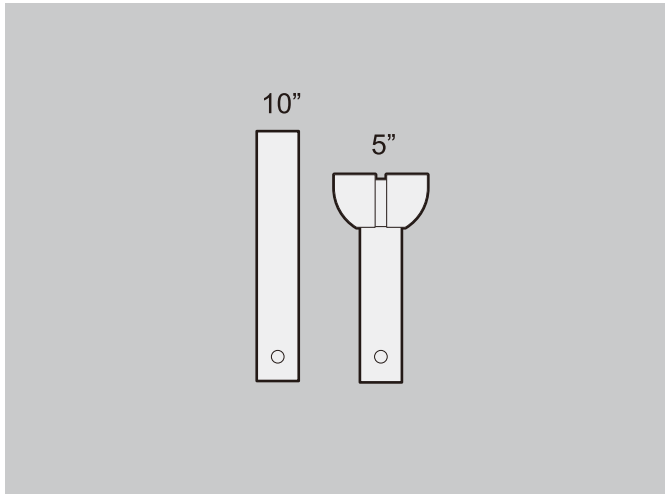
⑤ Insert the metal bar.



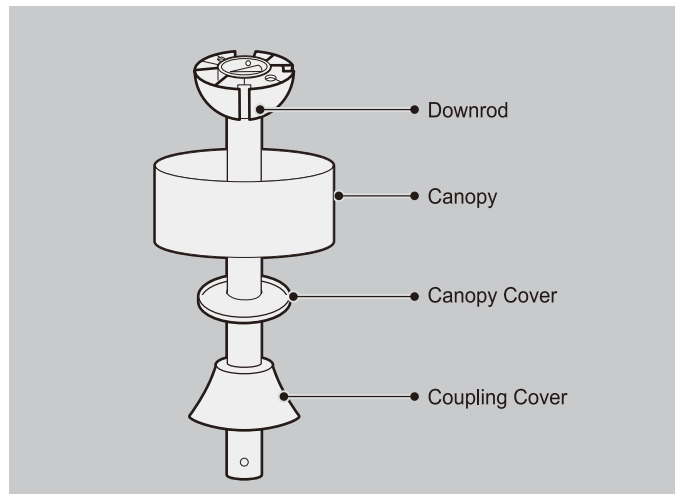
⑥ Tighten the screws.



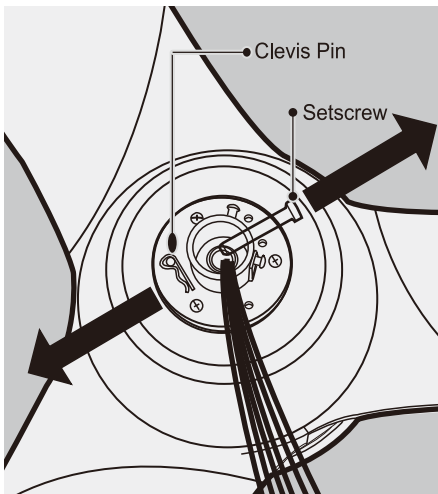
Step 5: Downrod Installation



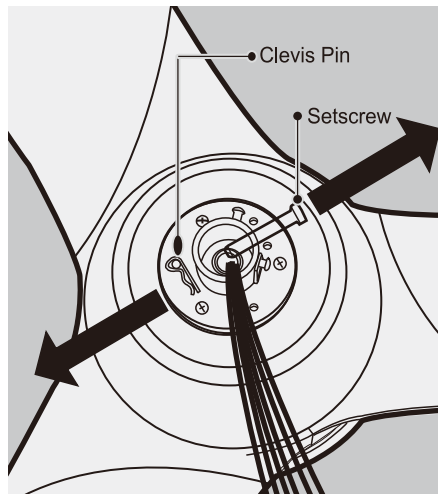
1 Select a suitable downrod. (2 lengths are available 5"/10") other downrod sizes please contact customer service.



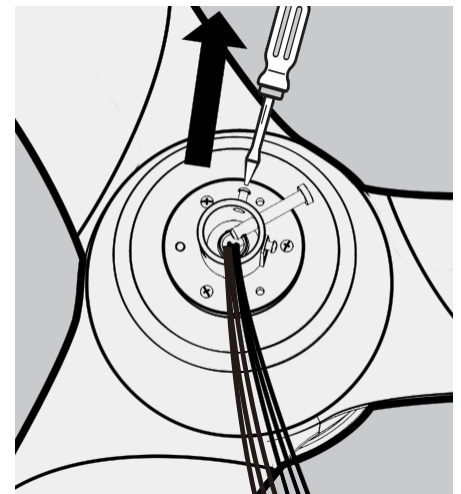
2 Assemble the canopy, canopy cover and coupling cover to the downrod in turn.



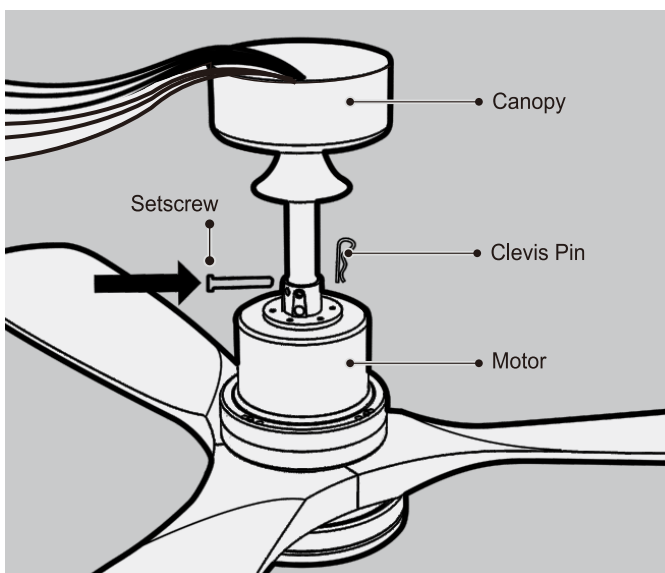
3 Take out Clevis Pin on the motor



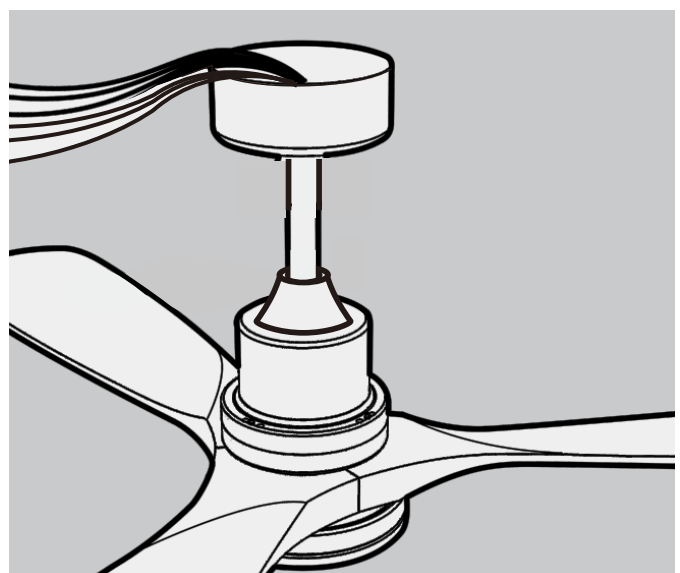
4 Take out Setscrew on the motor



5 Loosen the screws on the motor, and do not take them out completely.



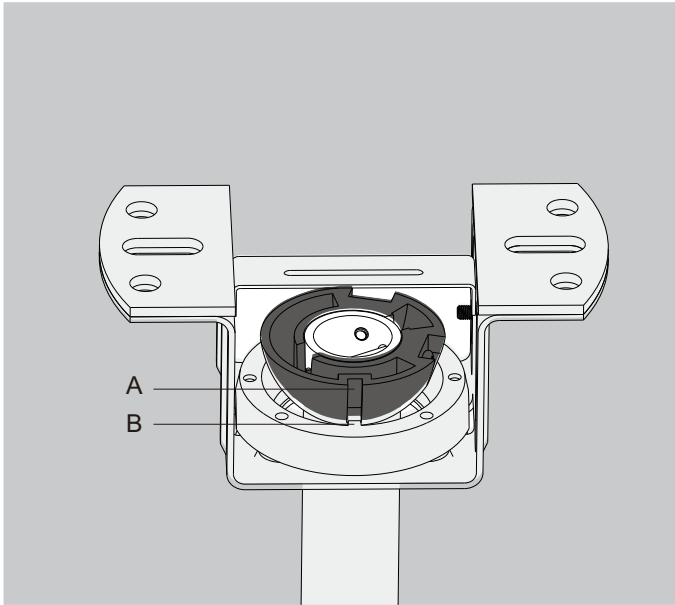
6 Thread the motor wire through the lower pull rod, lock the fixing screw with the clevis pin, and tighten the motor screw.



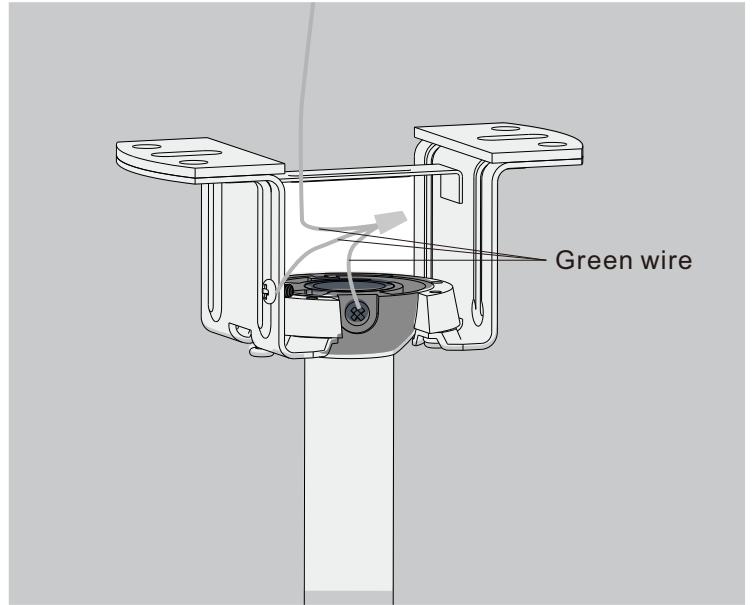
7 Slide the coupling cover down until it rests flush against the motor housing.



Step 6: Installation of the Assembled Fan



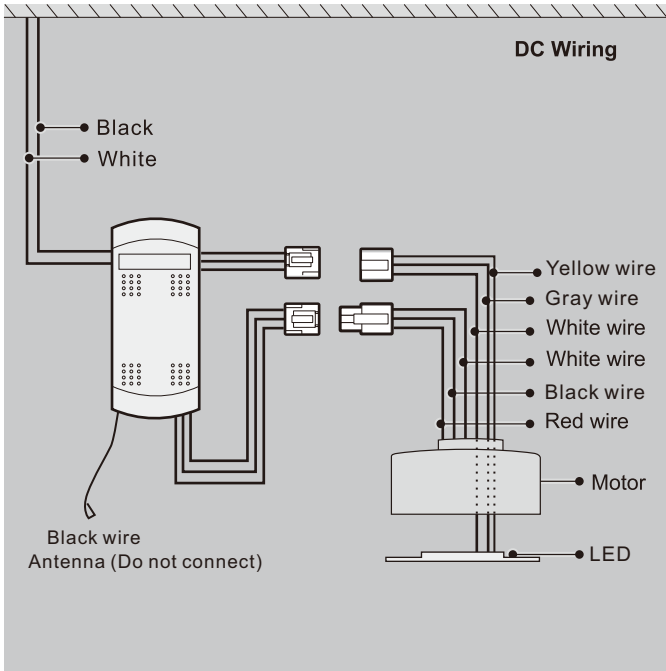
- 1 Align the recess at Position A of the hanging ball with the protrusion at Position B of Ring C.



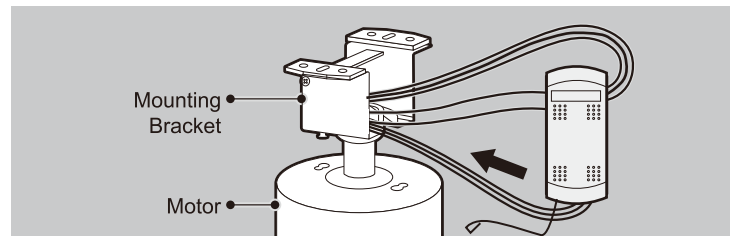
- 2 Twist together all the green ground wires of the hanger rod, mounting bracket and ceiling, then secure them with a wire nut.

Step 7: Wiring Instruction

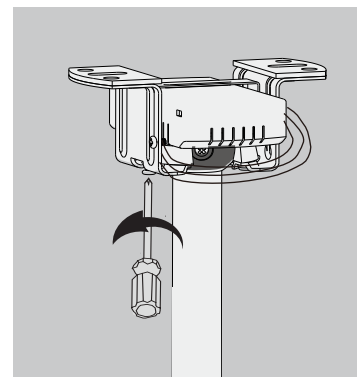
⚠ Shut off the power to the fuse box or circuit breaker before wiring.



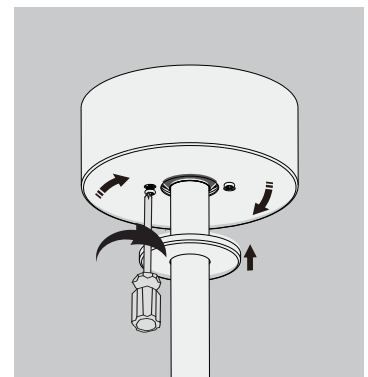
- 1 Connect the receiver separately to the live wire and neutral wire of the power supply, as well as the three wires of the motor and the three wires of the light source. Note: The separate black wire on the receiver is the Antenna. Do not cut, ground, or connect this wire to any power supply. Leave it extended for best reception.
 - Connect Black to Live (L)
 - Connect White to Neutral (N)
 - Connect Green to Ground



- 2 Put the receiver into the mounting bracket.



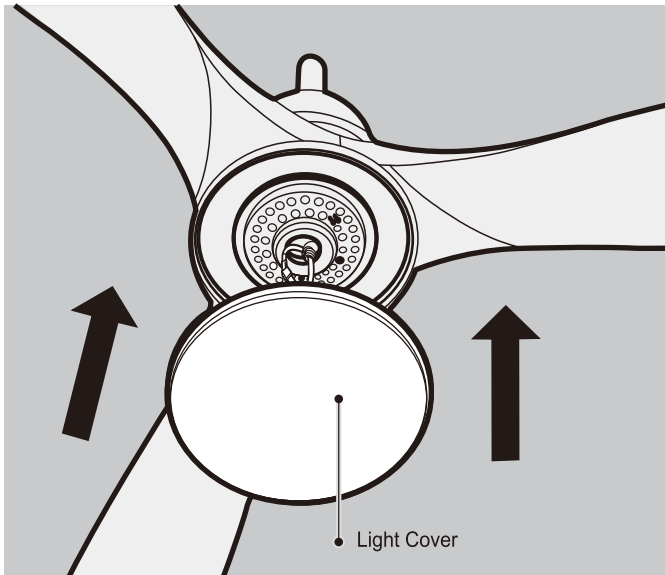
- 3 Tidy up all the connecting wires and place them into the mounting bracket together to avoid jamming the ceiling canopy. Then adjust the height of the screws under the mounting bracket to facilitate the installation of the ceiling canopy.



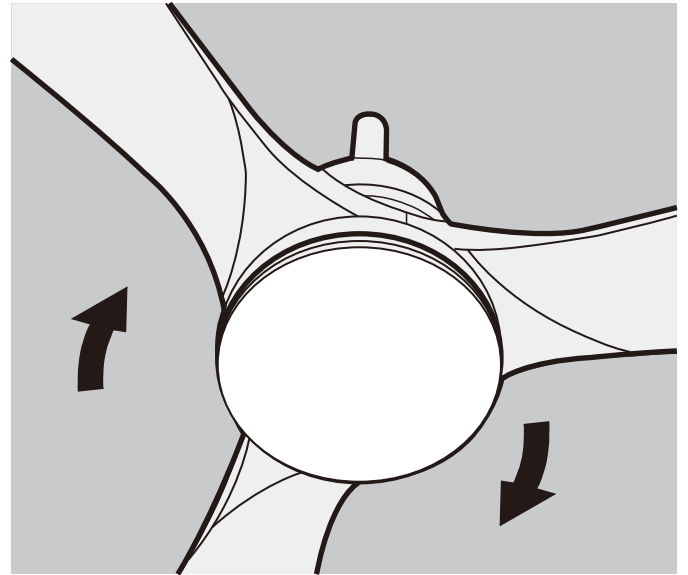
- 4 Snap the ceiling canopy onto the screws, then tighten them with a screwdriver, and finally attach the decorative cover magnetically to the ceiling canopy



Step 8: Install the Lampshade



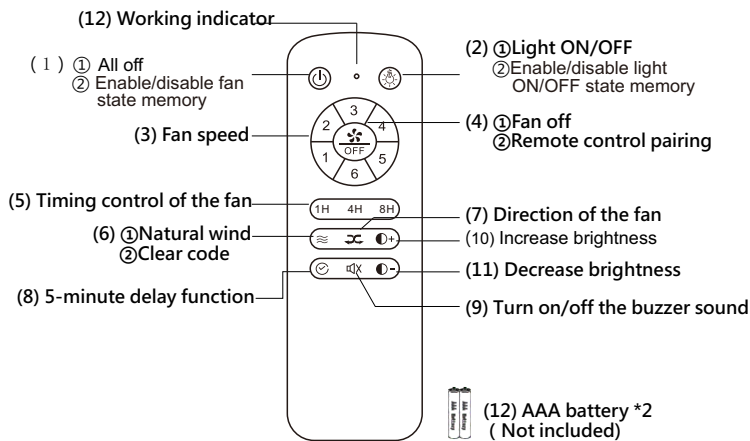
① Put the light cover to the LED board.



② Spin forward to tighten the light cover.

OPERATION INSTRUCTION

Control Method



(1) All OFF:

- ⊙ Turn OFF the Fan and Light together.
- ⊙ Long press: press and hold the key for 2-3 seconds. A long press produces a long beep to activate the memory function for the fan's state before power-off. Long pressing again will produce two short beeps to deactivate the memory function.

(2) Light ON/OFF:

- ⊙ Press the key to turn on or turn off the light.
- ⊙ Long press: press and hold the key for 2-3 seconds. A long press produces a long beep to activate the memory function for the light's state (on or off) before power-off. A long Pressing again will produce two short beeps to deactivate the memory function.

Note: The remote memory saves the Fan Speed and Light ON/OFF status. The Light Color (CCT) memory is controlled by the duration the light stays OFF (>7 seconds)

(3) Fan speed:

- ⊙ Press keys 1-6 to adjust the fan speed.

(4) Fan OFF / Remote control pairing:

- ⊙ Turn OFF the fan.
- ⊙ For remote control pairing, press and hold the button for 3-5 seconds within 30 seconds of powering on. The buzzer will emit a long beep to confirm that the pairing is complete.
Note: The remote controller only needs to be paired once. After pairing, it will retain memory. Products are pre-paired at the factory. If the remote control is damaged or lost, pairing with a new remote control is necessary before use.

(5) Timing control of the Fan:

- ⊙ Press the 1H/4H/8H keys to set the fan timer for 1, 4, or 8 hours. The fan will automatically turn off when the timer ends. During the timing function, all functions of the ceiling fan can be operated. To cancel the timer setting, press key(1) or key(4) while the timing function is active.

(6) Natural wind:

- ⊙ Press the key to activate the natural wind mode, which automatically adjusts the fan speed between levels 1 and 6.
- ⊙ Press and hold this button until a long beep is heard to clear the code. Then, press and hold the 'FAN OFF' button to re-pair and restore the program to factory settings.

(7) Direction of the fan:

- ⊙ Change the direction of the fan using the appropriate controls.

(8) 5-minute delay function:

- ⊙ Press the key to activate the 5-minute delay function for the light, after which it will automatically turn off.
- ⊙ Note: After the delay, the fan remains unchanged. This function is primarily for pre-sleep lighting delays. If used before leaving, you'll need to manually turn off the fan with 'Fan OFF'.

(9) Turn ON/OFF the buzzer sound:

- ⊙ Press the key to toggle the buzzer sound on or off.

(10) Increase brightness:

- ⊙ Press the key to increase brightness.

(11) Decrease brightness:

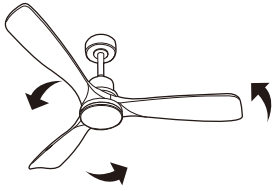
- ⊙ Press the key to decrease brightness.

AAA battery (2):

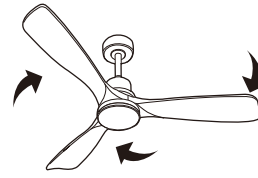
- ⊙ Install 2 AAA batteries before use.
- ⊙ Remove the batteries when not in use for an extended period.



Reversible Function



Summer (Forward):
A downward airflow creates a cooling effect.



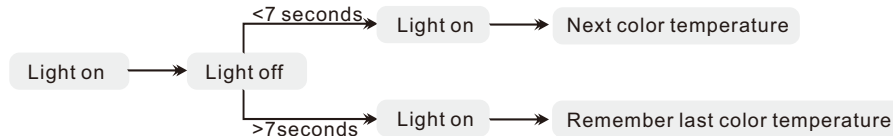
Winter (Reverse):
An upward airflow increases the indoor temperature.

PS: If you want to change the fan's rotation direction, please press the button while the fan is running.

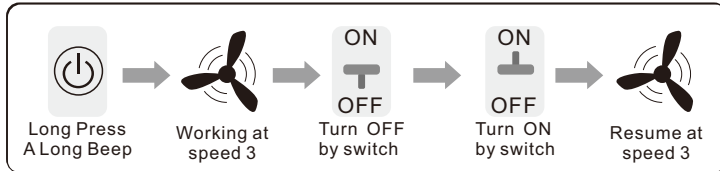
About Light Color Temperature:

To select the color: Toggle the light ON and OFF quickly (within 7 seconds) to cycle to the next color temperature.

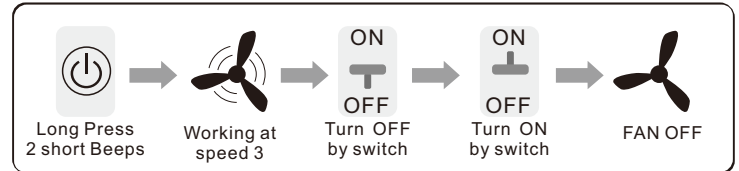
To save the color: Turn the light OFF and wait for more than 7 seconds. The next time you turn it on, it will remember the last color temperature used.



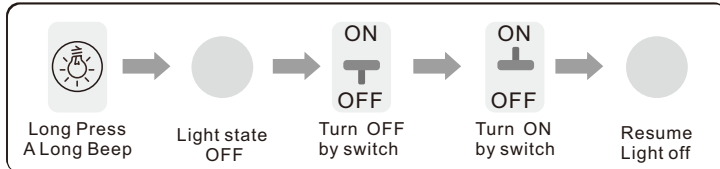
Enable fan memory:



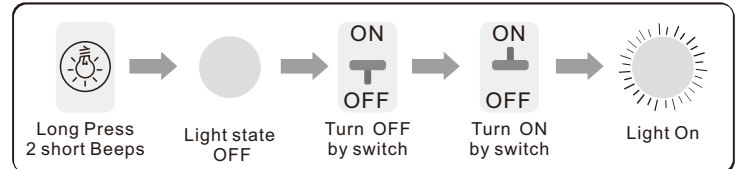
Disable fan memory:



Enable light state memory:

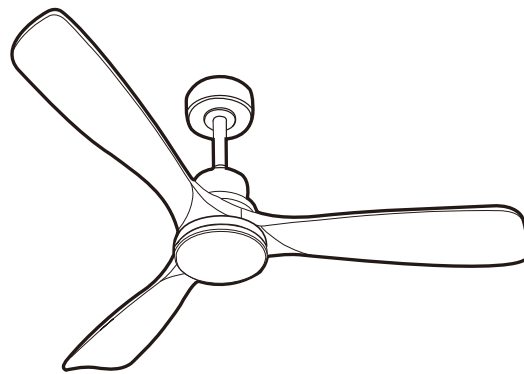


Disable light state memory:



* Long press = press and hold for 2-3 seconds

SPECIFICATIONS



Product Name	Ceiling Fan	Size	36"	42"	52"	60"	72"
		Gross Weight	4.3KG	5.2KG	6.6KG	7.5KG	8.5KG
Rated Voltage	110V-265V	Motor Power	19W	19W	32W	32W	25W
Lamp configuration	20W LED	Motor Spec	Φ153*10	Φ153*10	Φ153*10	Φ153*10	Φ153*10
Lampshade size	Φ 180 mm	Overall height	410mm (with 5" rod)				
control method	Remote Control	Fan blade	3 solid wood fan blades				



TROUBLE SHOOTING

If there is a problem with the fan during use, please check the following tips for solutions. If the problem still cannot be solved, please contact our after-sales team.

The Fan Does Not Respond to the Remote

- ControlCheck that all wire connections are correct and secure.
- Verify that power is turned on and reaching the receiver.
- Verify that the batteries are installed with the correct polarity (+/-).
- Re-pair the Remote: The signal memory might be lost. Turn off the power at the wall switch for 10 seconds, turn it back on, and immediately long-press the "FAN OFF" (or Pairing) button within 30 seconds until you hear a beep.

The Fan Makes a Repetitive Ticking Noise

- Check for obstructions in the rotor path.
- Ensure the mounting hardware at the ceiling is firmly fastened.
- Ensure all other hardware and blade attachments are tight.
- Allow the fan a "Break-in Period" of 24 hours.

The Fan Wobbles.

- Make sure the mounting plate and hardware at the ceiling are firmly fastened.
- Make sure all screw fittings on the fan are tight.
- If necessary, use the self-tapping screws provided to further secure the bracket to the joist.
- Use the Balance Kit: If the fan still wobbles after tightening all screws, use the included Balance Kit. Place the clip on the blade to locate the heavy side, then adhere the balance weight to correct the imbalance. (Refer to standard balancing instructions).

Airflow is Insufficient

- Check Rotation Direction: Ensure the fan is in "Summer Mode" (Counter-clockwise rotation) for downward airflow.
- Check Blade Orientation: Verify the blades are not installed upside down. The concave side (curved inward) or the finished side should face downward. Inverted blades will move very little air.

About Light Color Temperature Memory: The LED light features a memory function.

- To save the color: Turn the light OFF and wait for more than 7 seconds. The next time you turn it on, it will remember the last color temperature used.
- To change the color: Toggle the light ON and OFF quickly (within 7 seconds) to cycle to the next color temperature.

The Light Does Not Work or Flickers

- Check Wire Connections: Ensure the 3-wire connector (Yellow, Gray, and White wires) is securely plugged into the receiver. A loose plug typically causes the light to flicker or fail to change colors.
- Check LED Board Mounting:
 - For Screw-Fixed Boards: Ensure all screws fastening the LED board to the light pan are tight to prevent vibration.
 - For Magnet-Fixed Boards: Ensure the magnetic LED board is attached flat against the light pan and has not shifted during shipping.

Buzzer Warning Codes The system monitors the fan's status and emits warning beeps if an error occurs:

Beeps	Error Description	Solution
1	Over Current	Check if the motor wires are short-circuited.
2	Over Voltage	Check if the input voltage is too high.
3	Under Voltage	Check if the input voltage is too low or connections are loose.
4	Motor Stalled	(Most Common) Check for obstacles preventing the blades from spinning.
5	Phase Loss	Check if the 3 motor wires (Red/Black/White) are securely connected.
6	Over Heat	Controller is overheating. Allow it to cool down.

