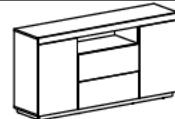
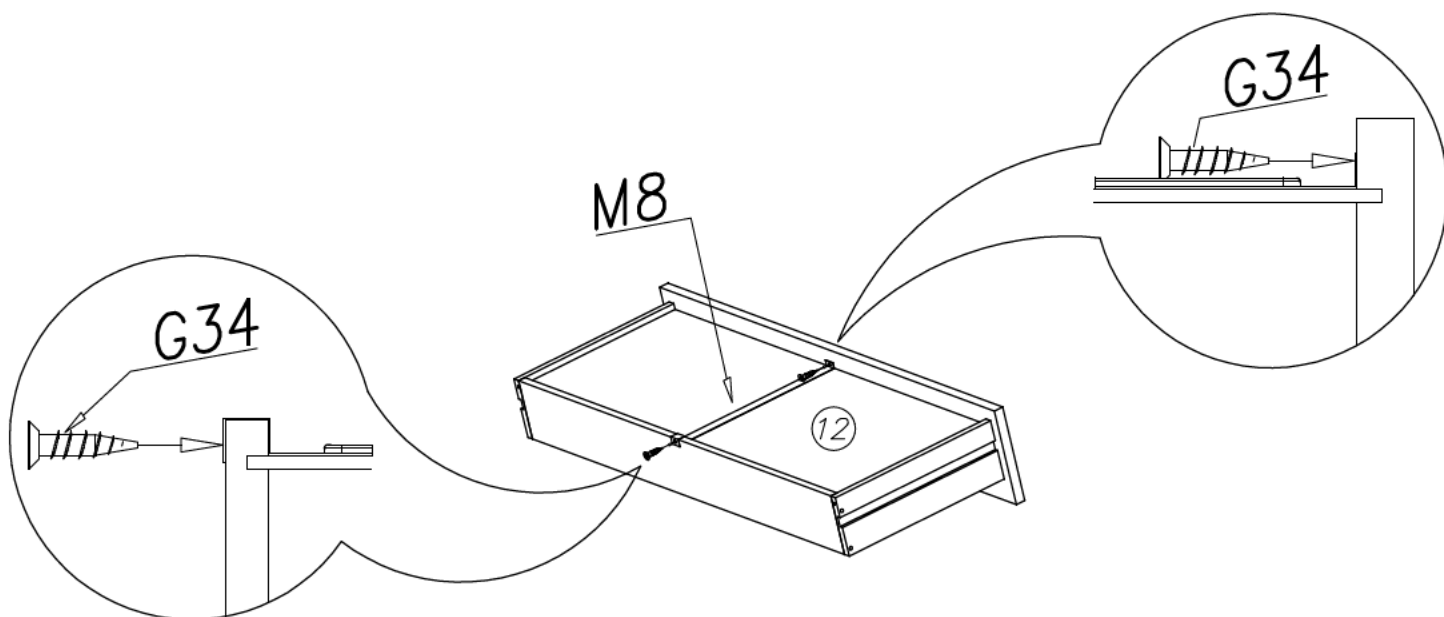
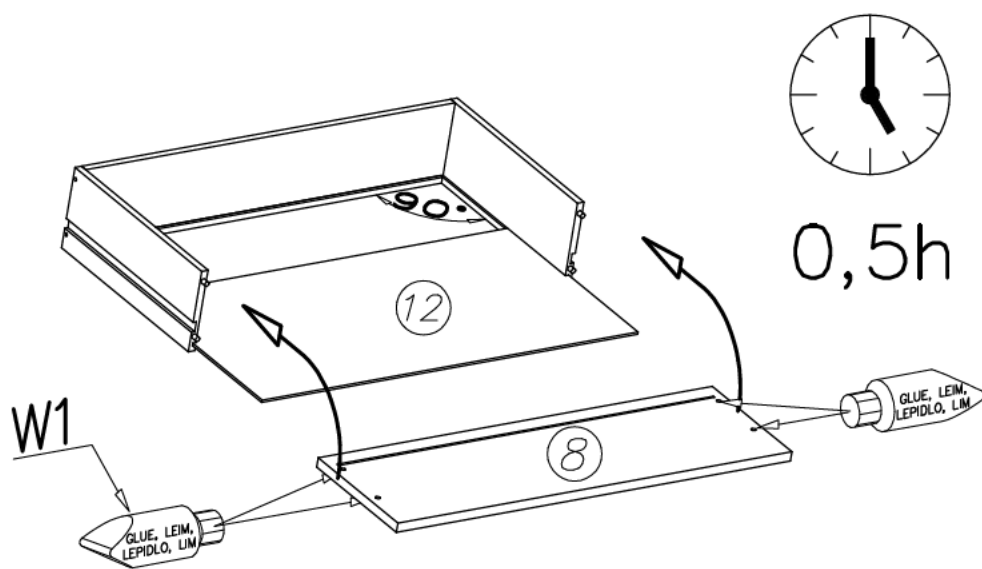
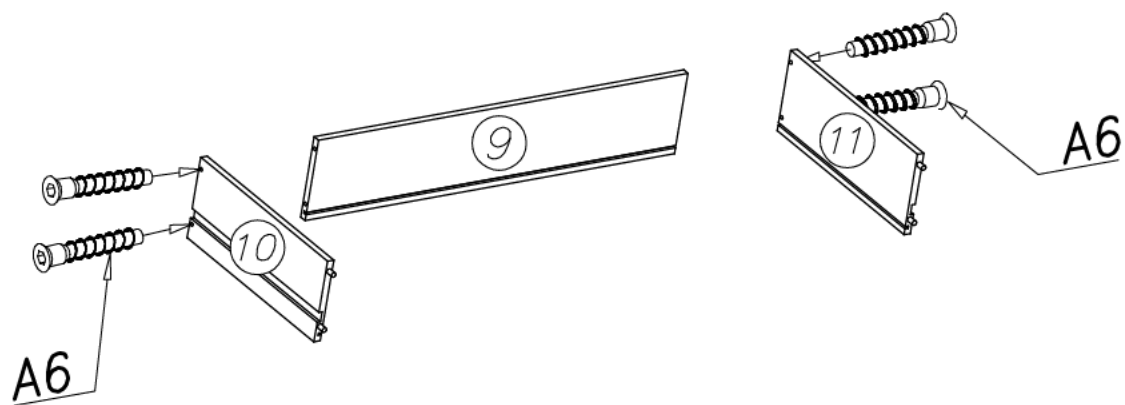
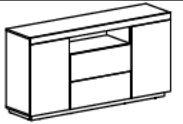


G56 4x16 x...(48) 	F2 x...(8) 	G57 3,5x16 x...(8) 		
F15 x...(8) 	P25 x...(2) 	A1 Ø7x50 x...(8) 	M11 x...(2) 	S1 1606mm x...(1)
G50 6x13 x...(8) 	F12 x...(4) 	I1 x...(10) 	M8 350mm x...(2) 	
W1 x...(1) 	A6 Ø7x40 x...(8) 	H4 350mm x...(4) 	W2 x...(1) 	
K1 Ø15x12 x...(12) 	P4 x...(8) 	C3 Z35PR x...(4) 	D3 H=2 PZ35PR x...(4) 	G34 3,5x16 x...(36)
K10 x...(12) 	B1 Ø8x35 x...(20) 	I7 x...(12) 	L13 x...(4) 	N1 M4x9 x...(4)

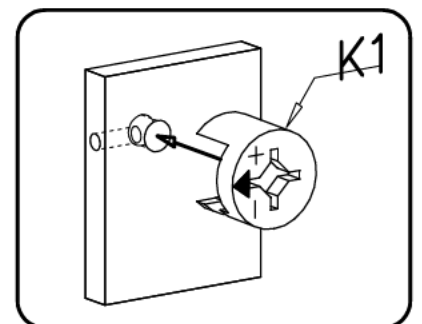
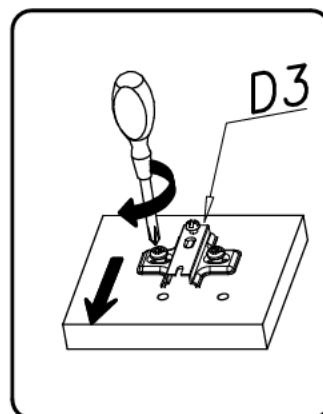
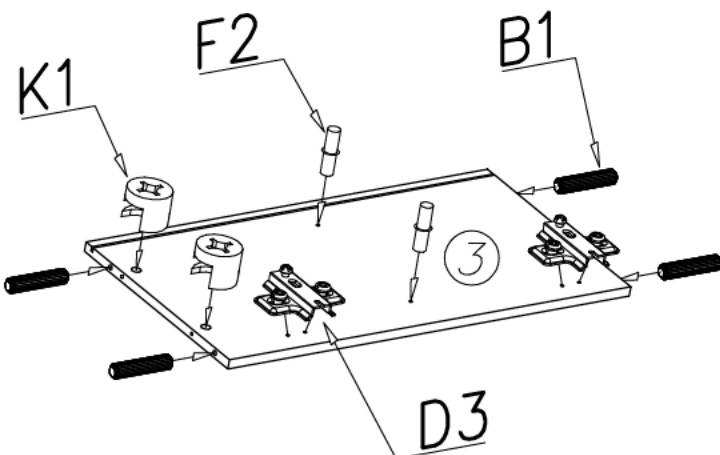
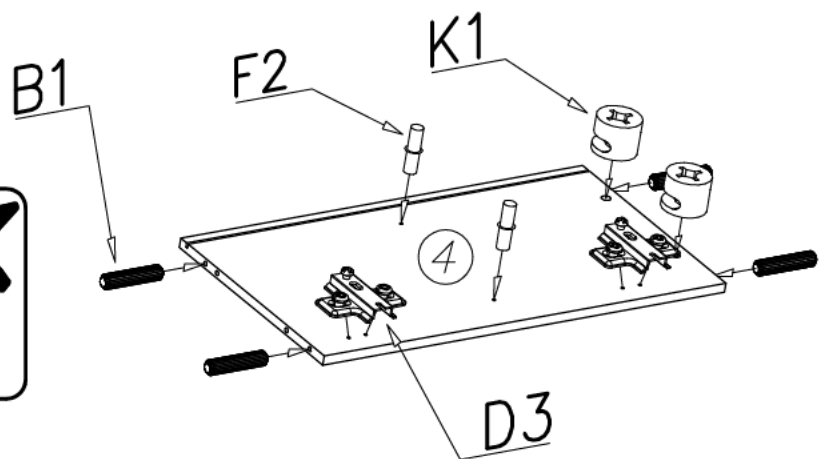
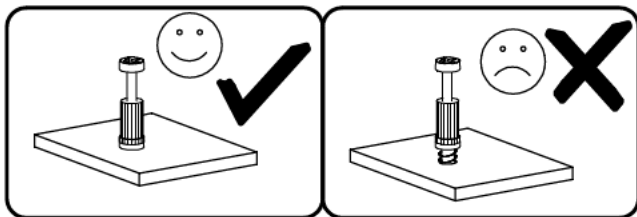
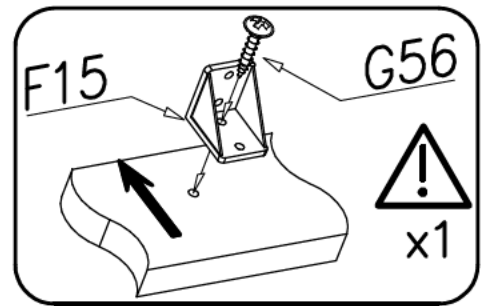
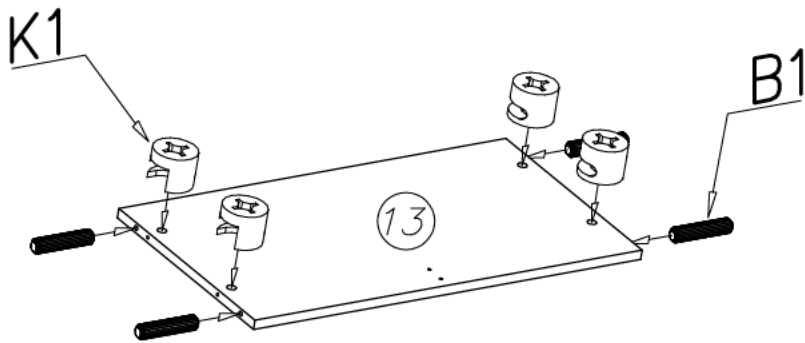
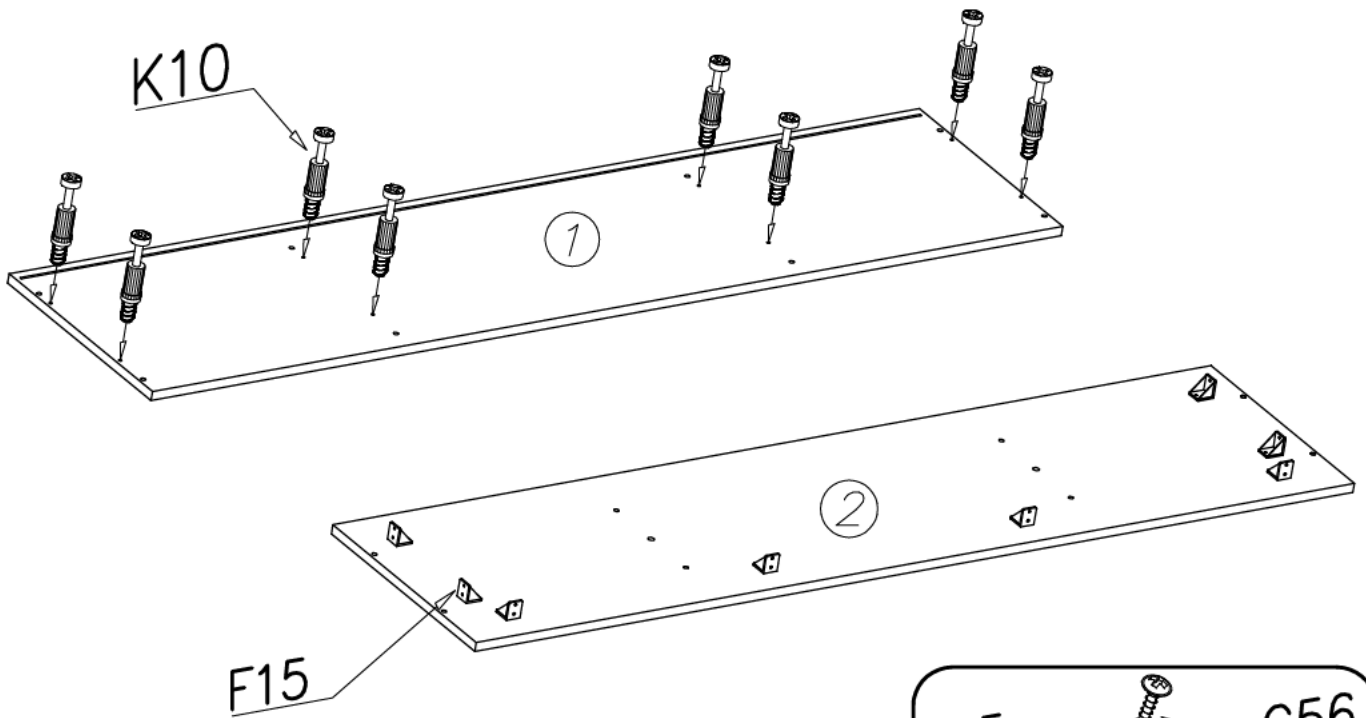


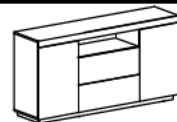
I



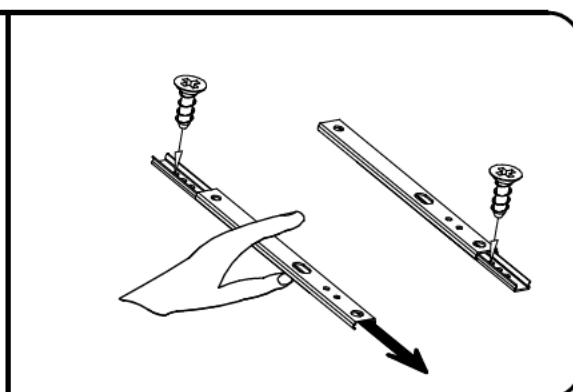
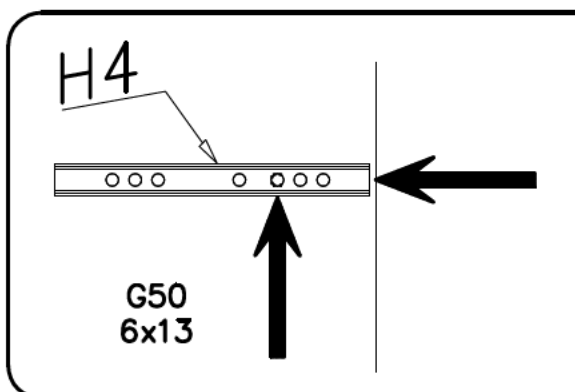
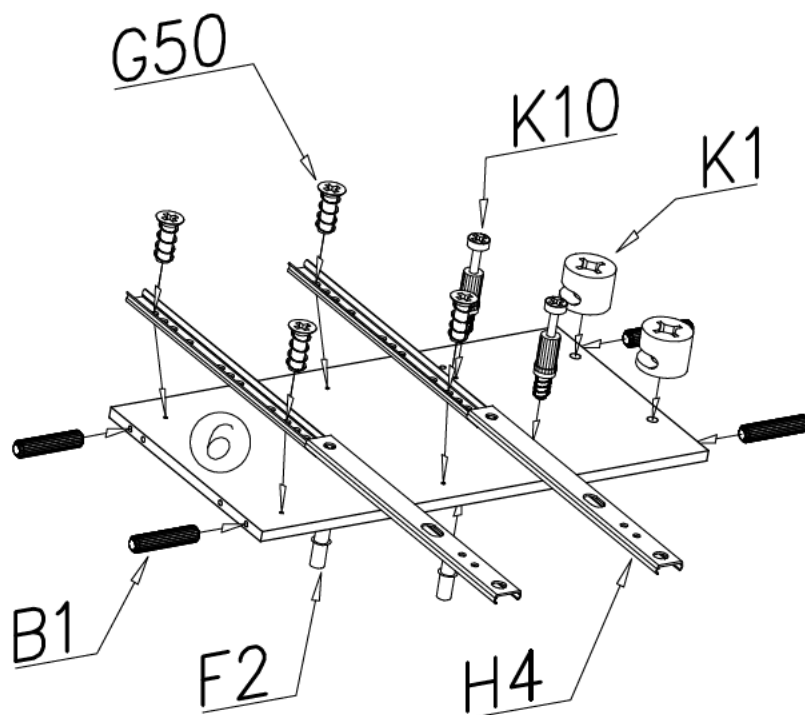
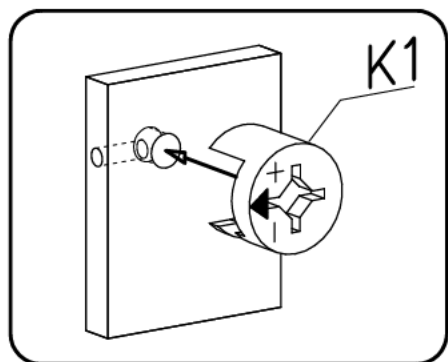
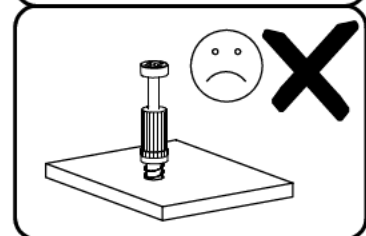
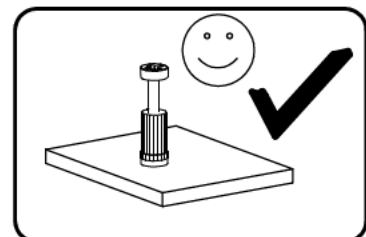
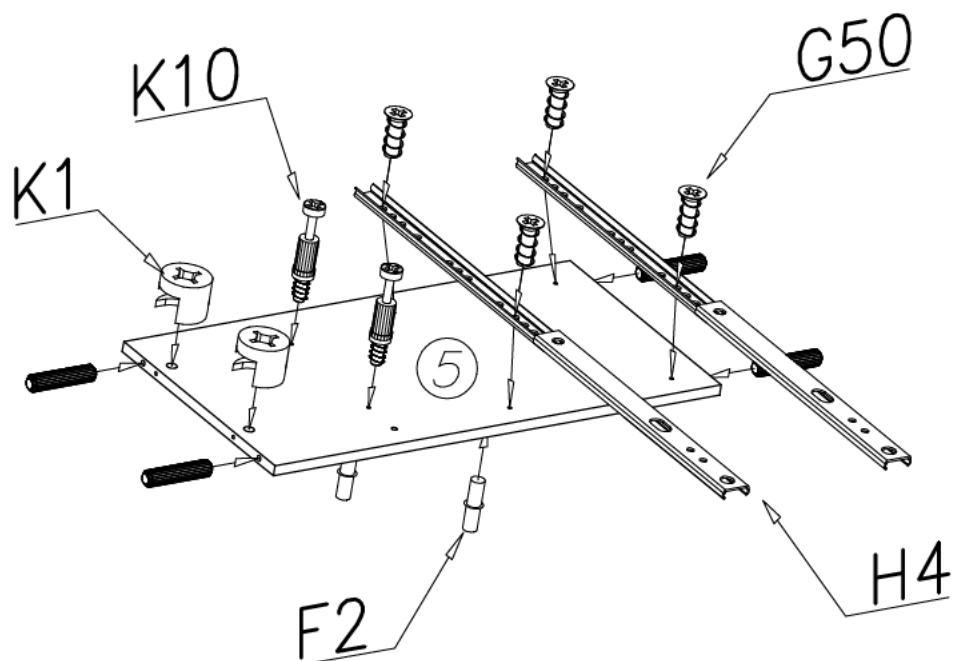


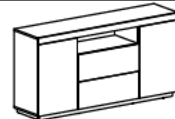
II



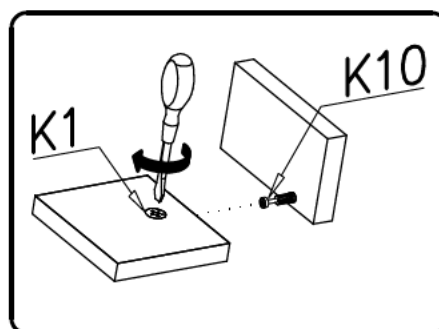
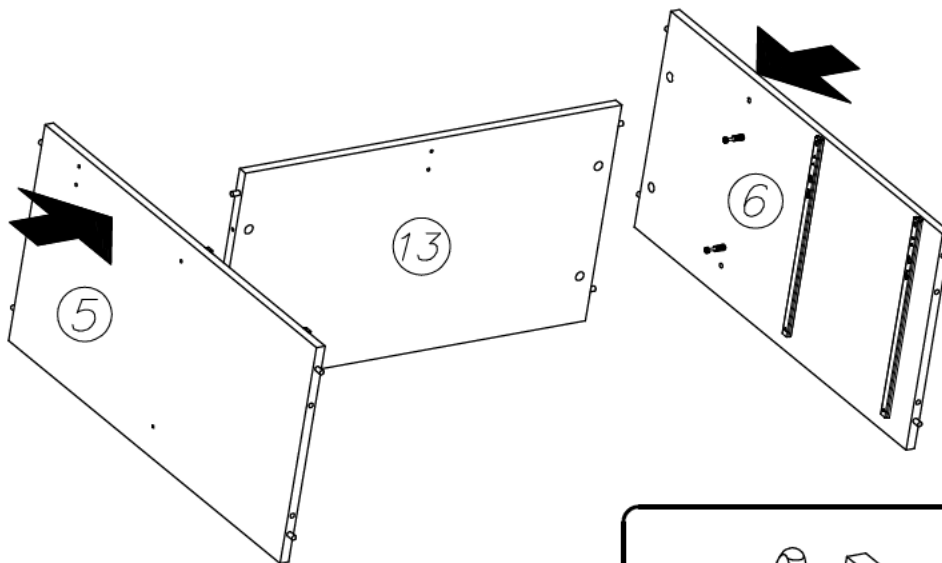


III

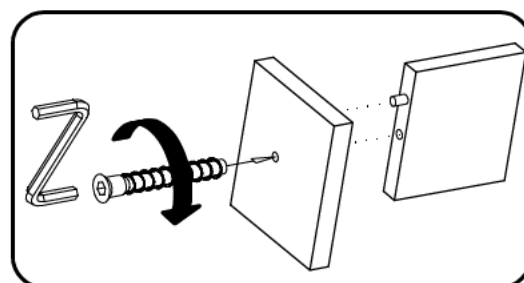
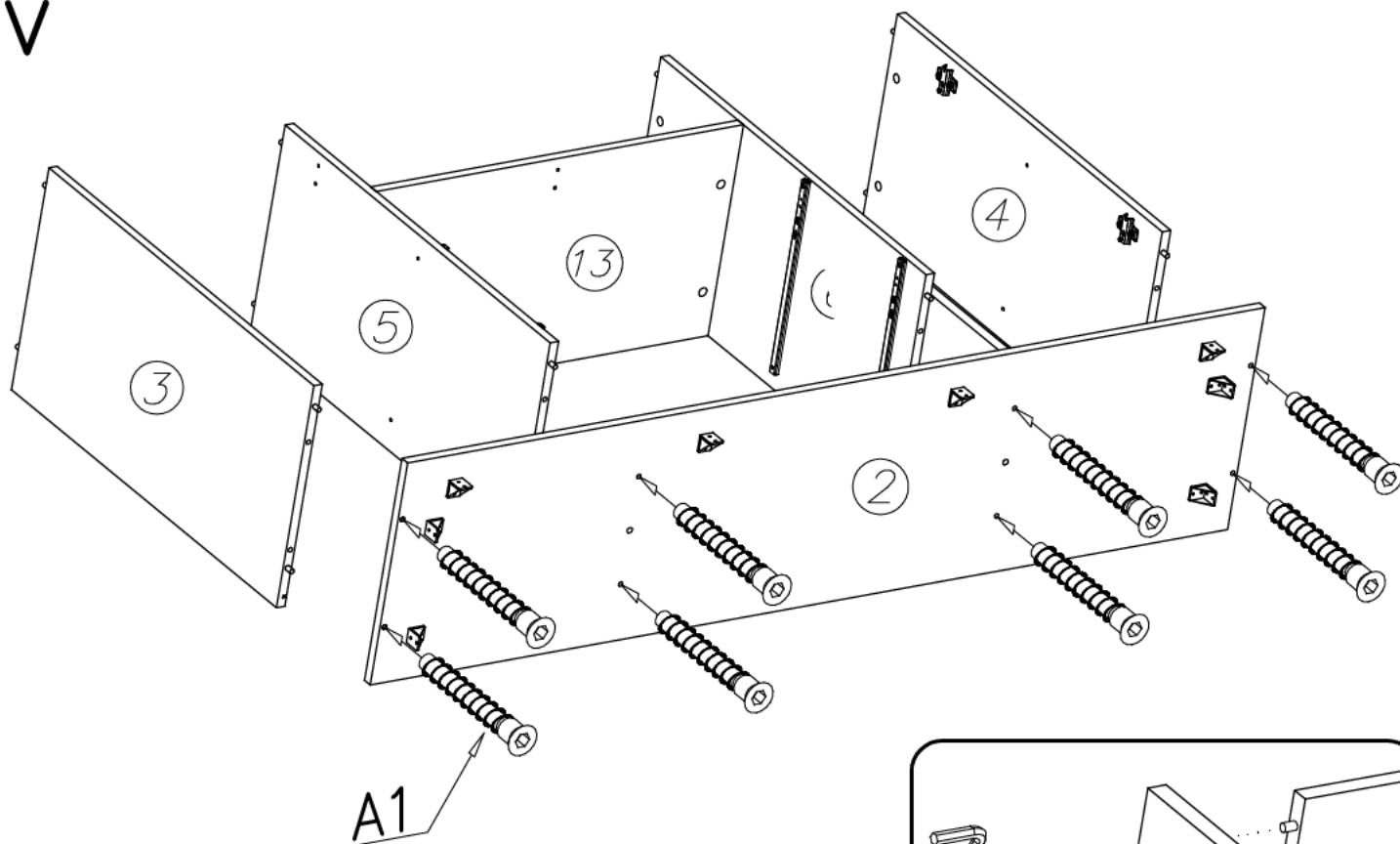


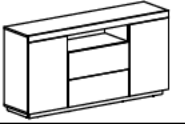


IV

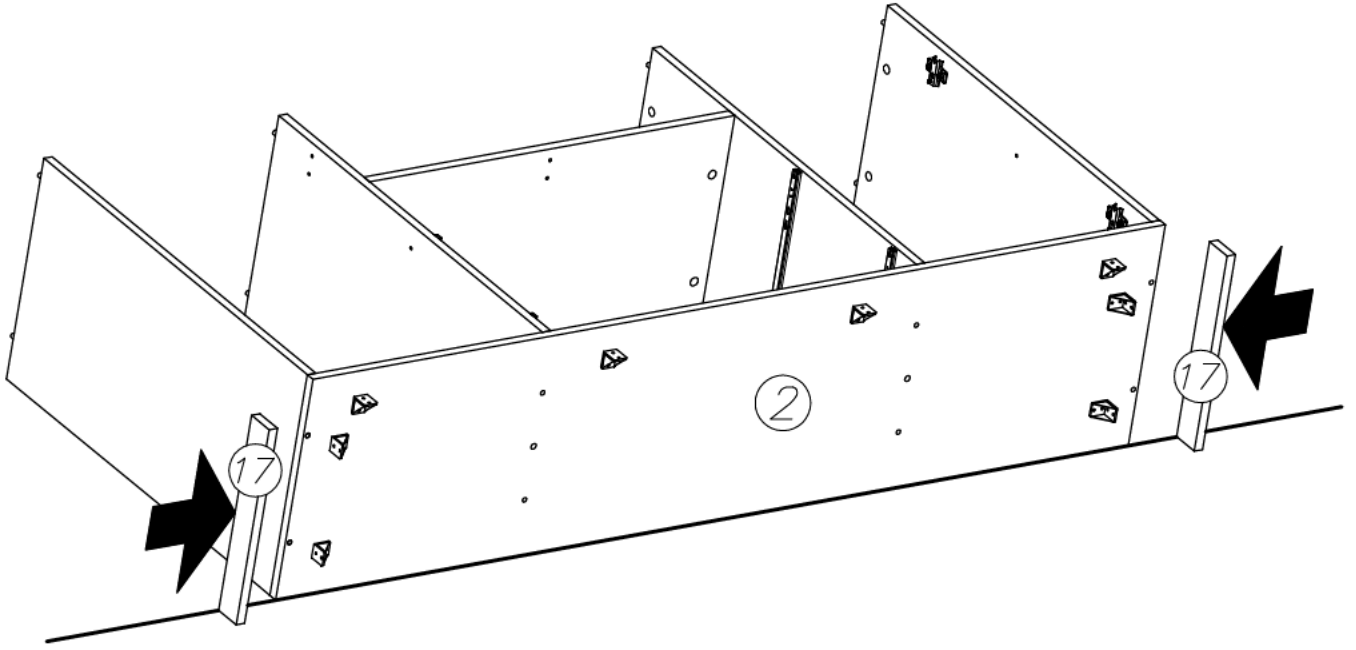


V

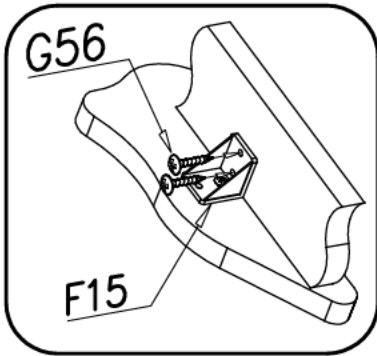




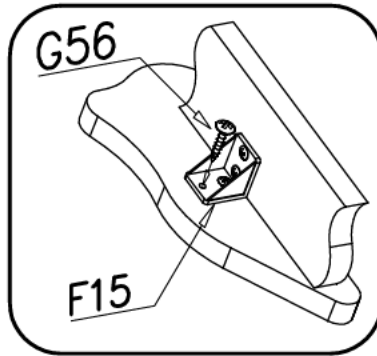
VI



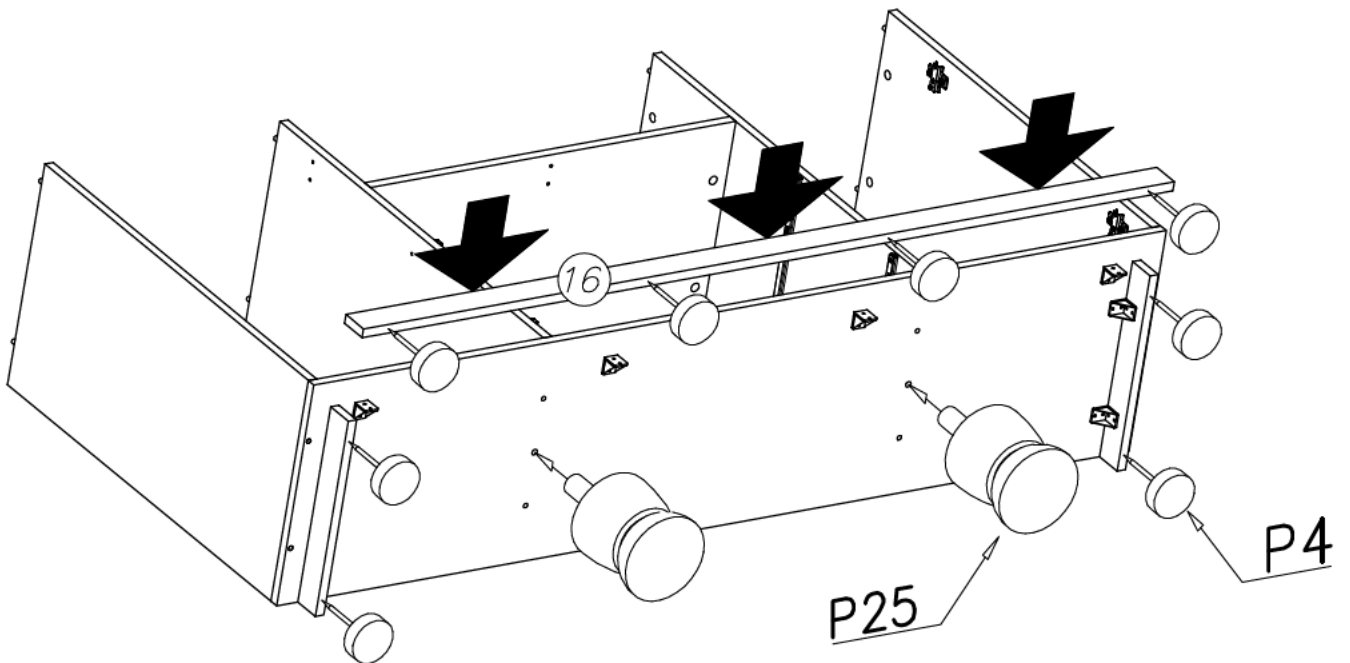
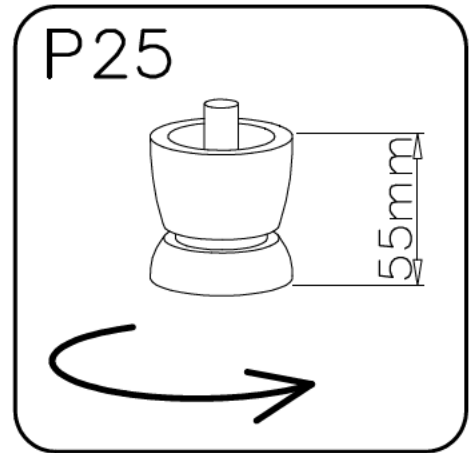
1.

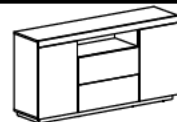


2.

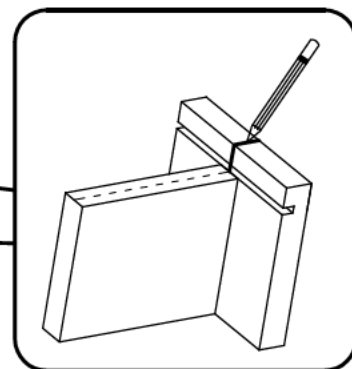
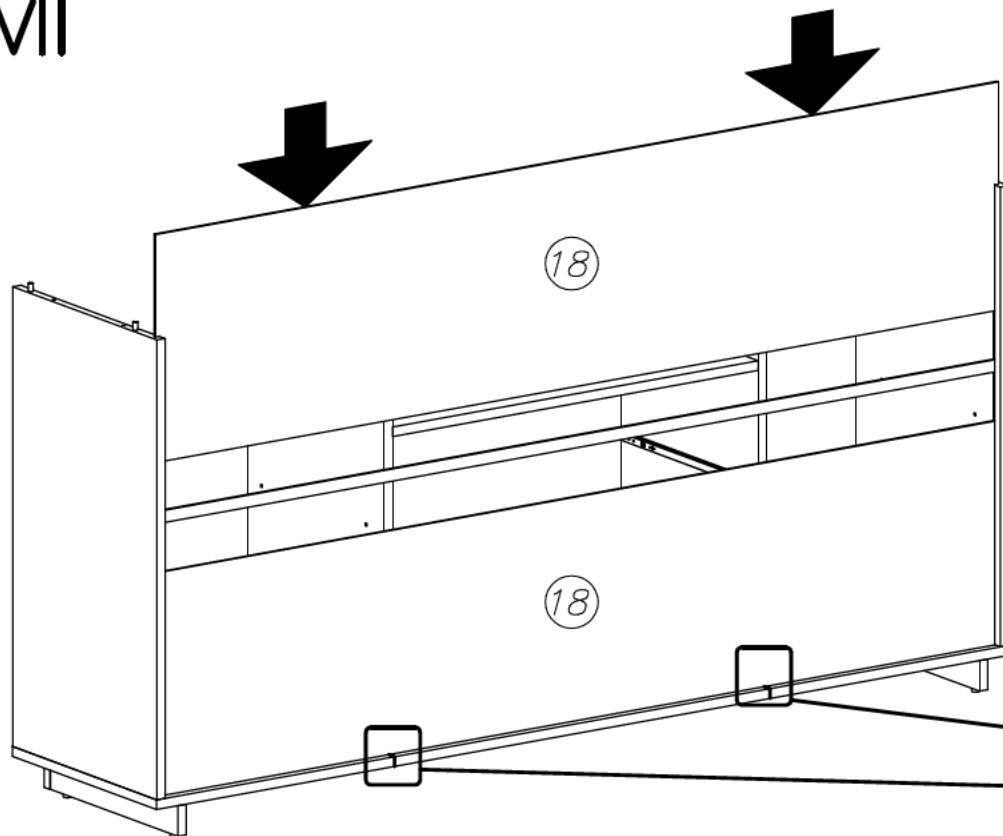


P25

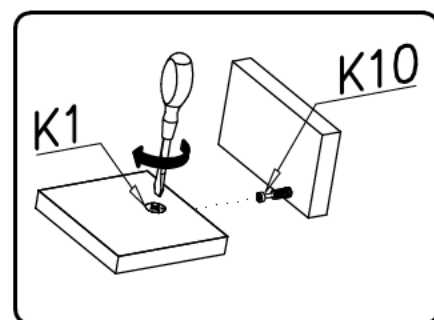
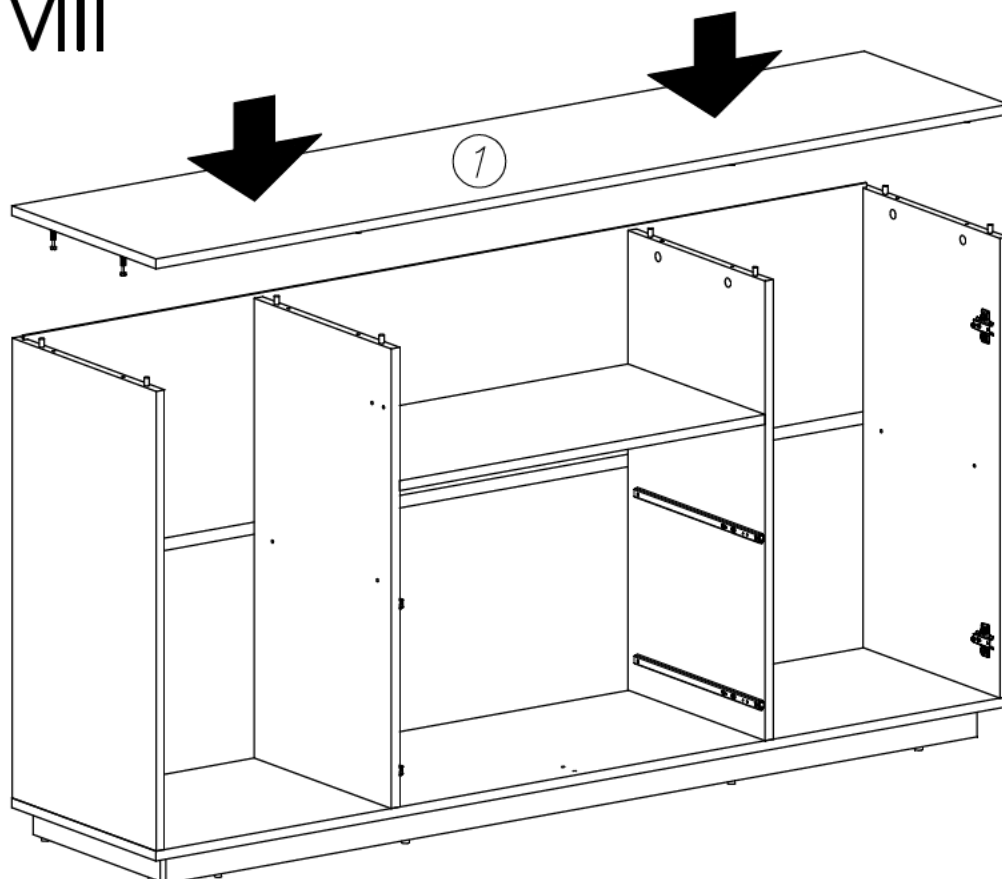


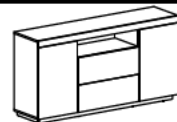


VII

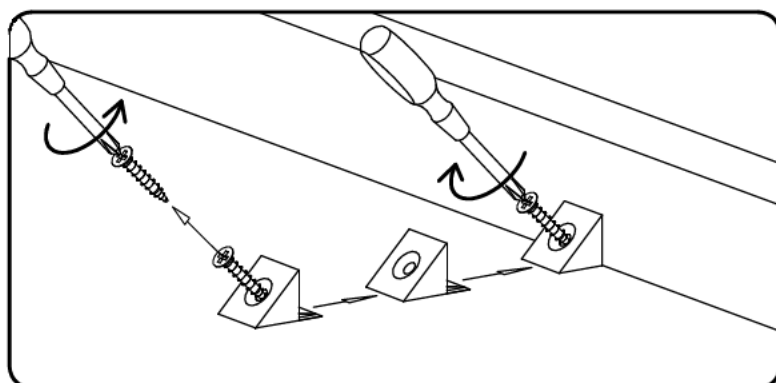
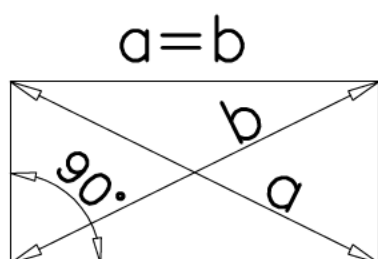
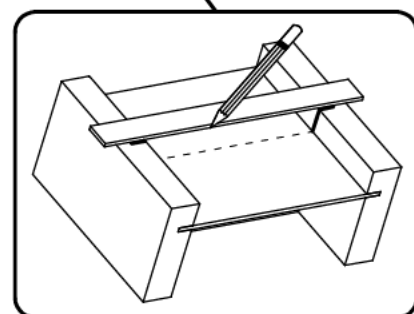
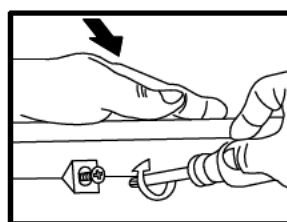
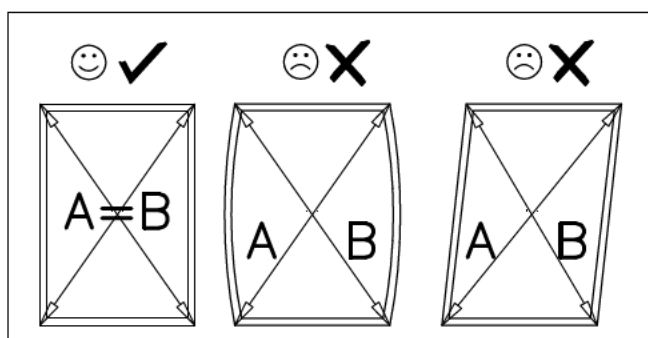
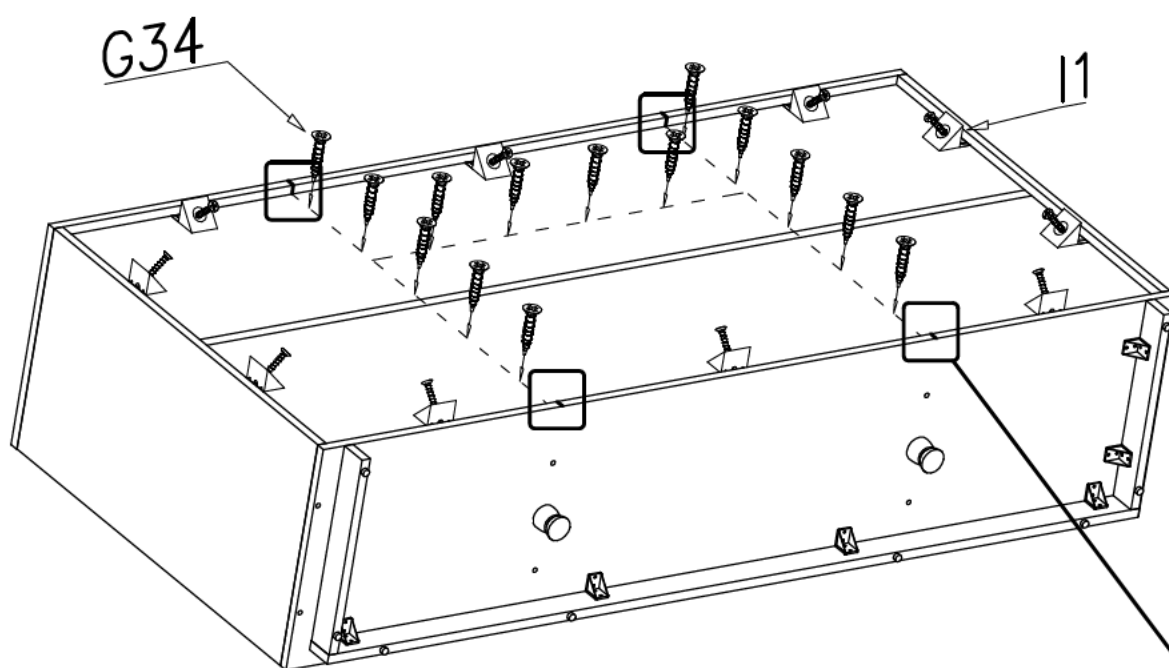
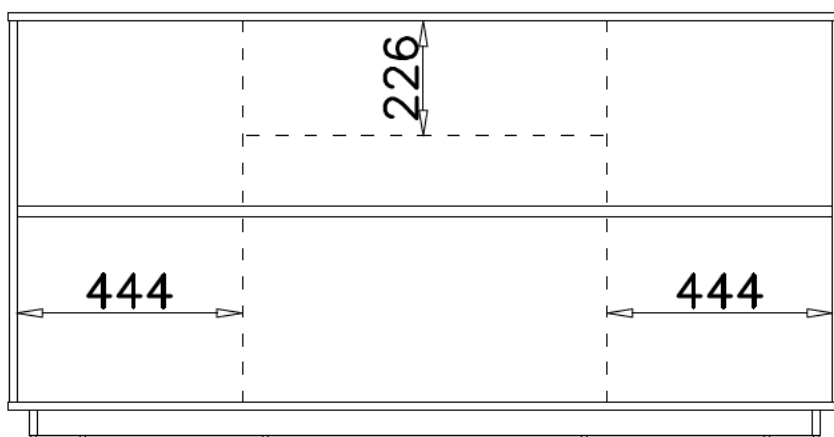


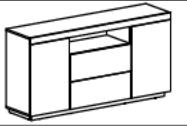
VIII



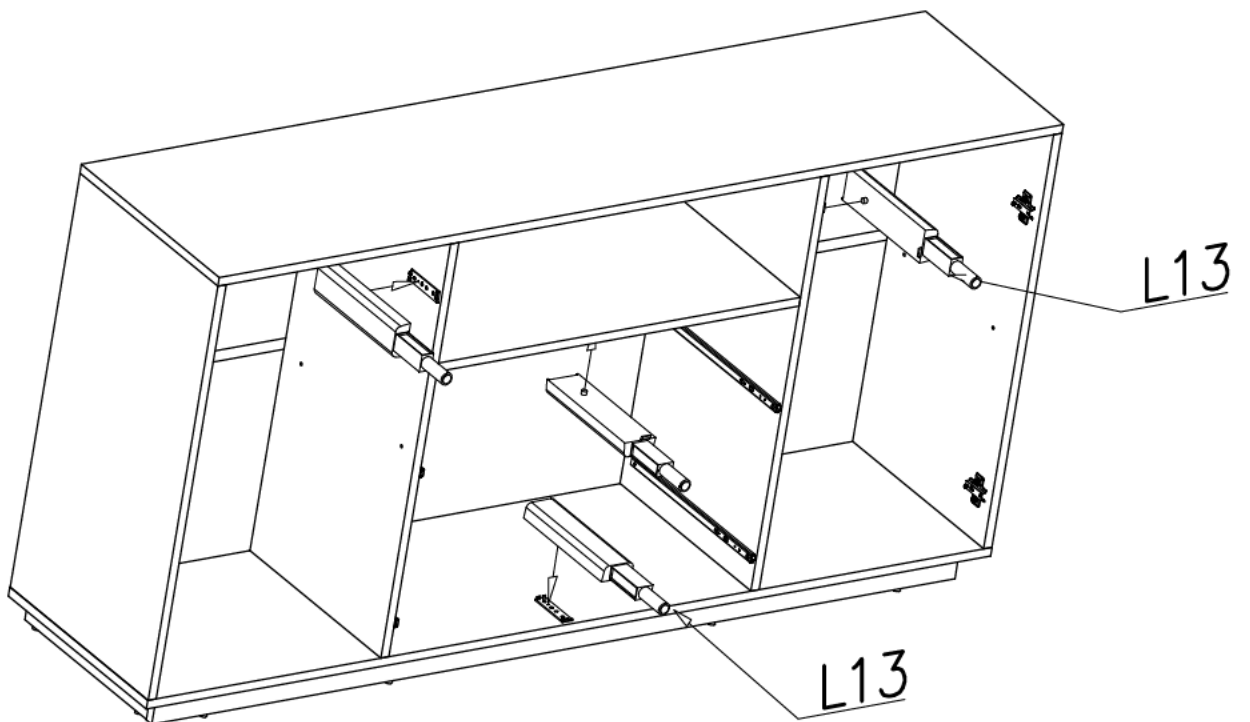
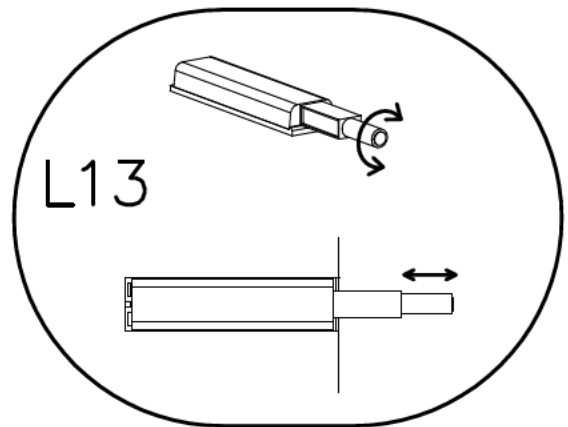
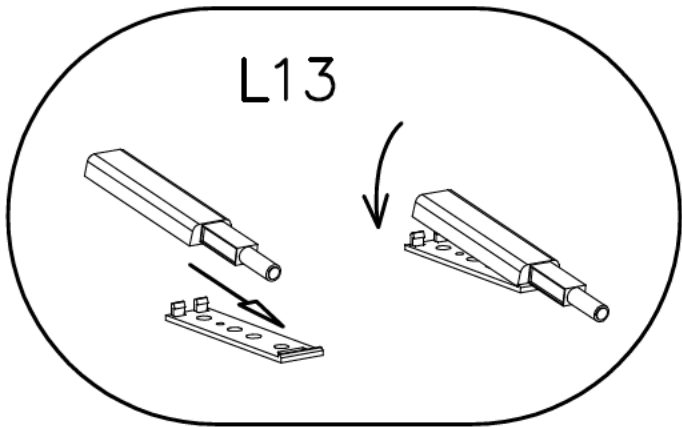
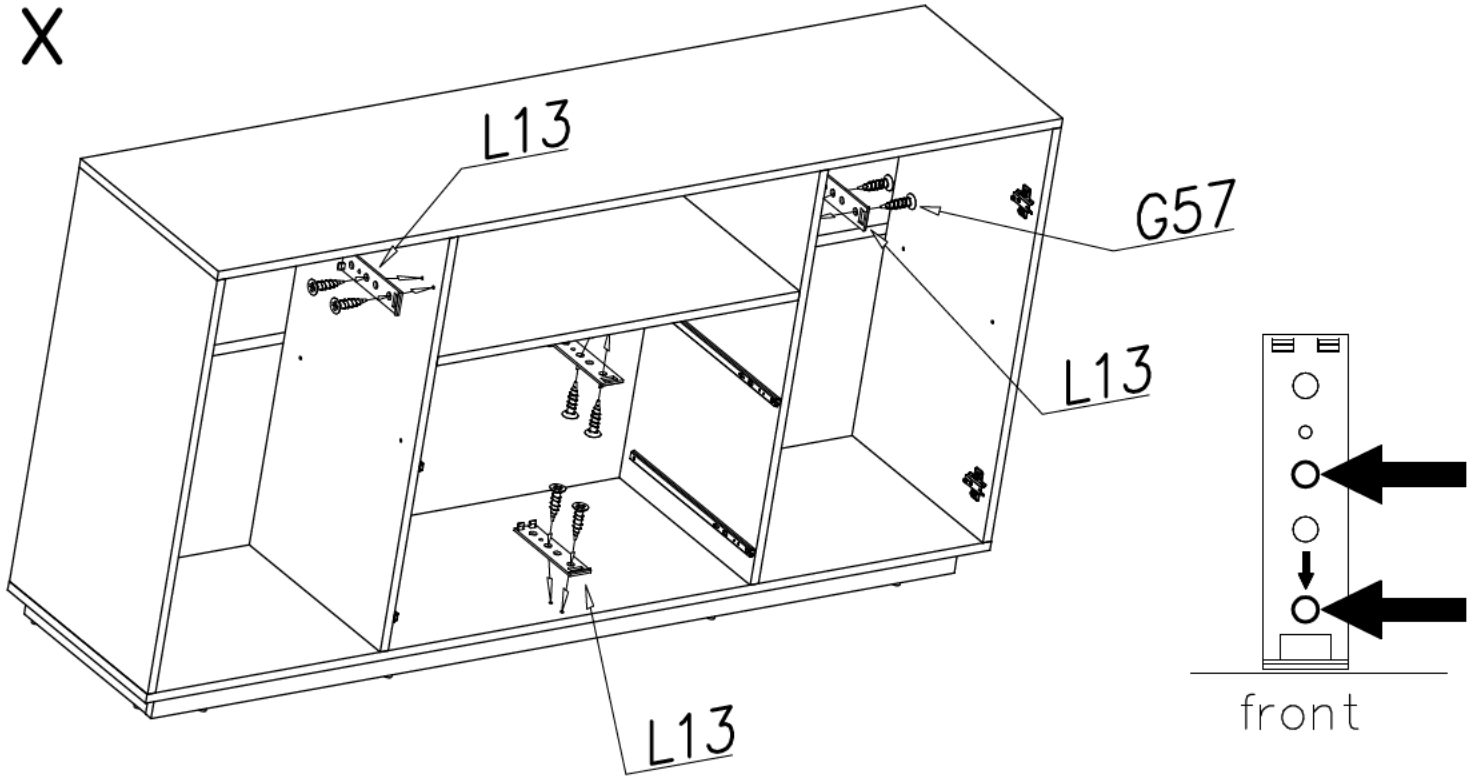


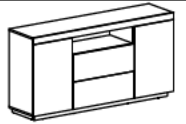
IX



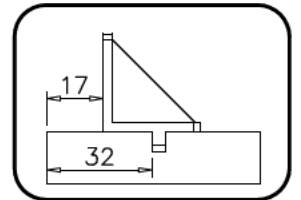
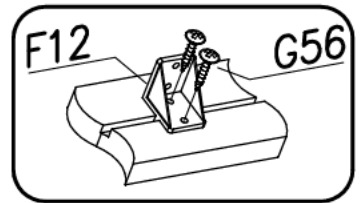
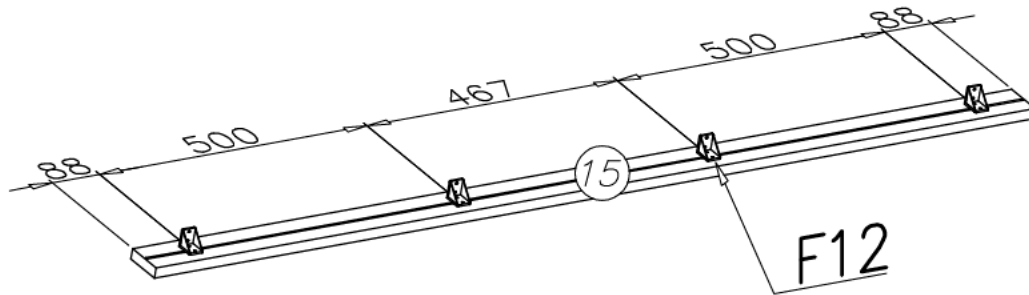


X

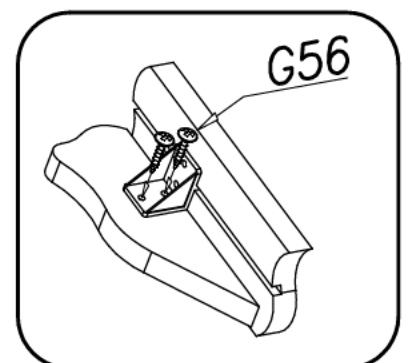
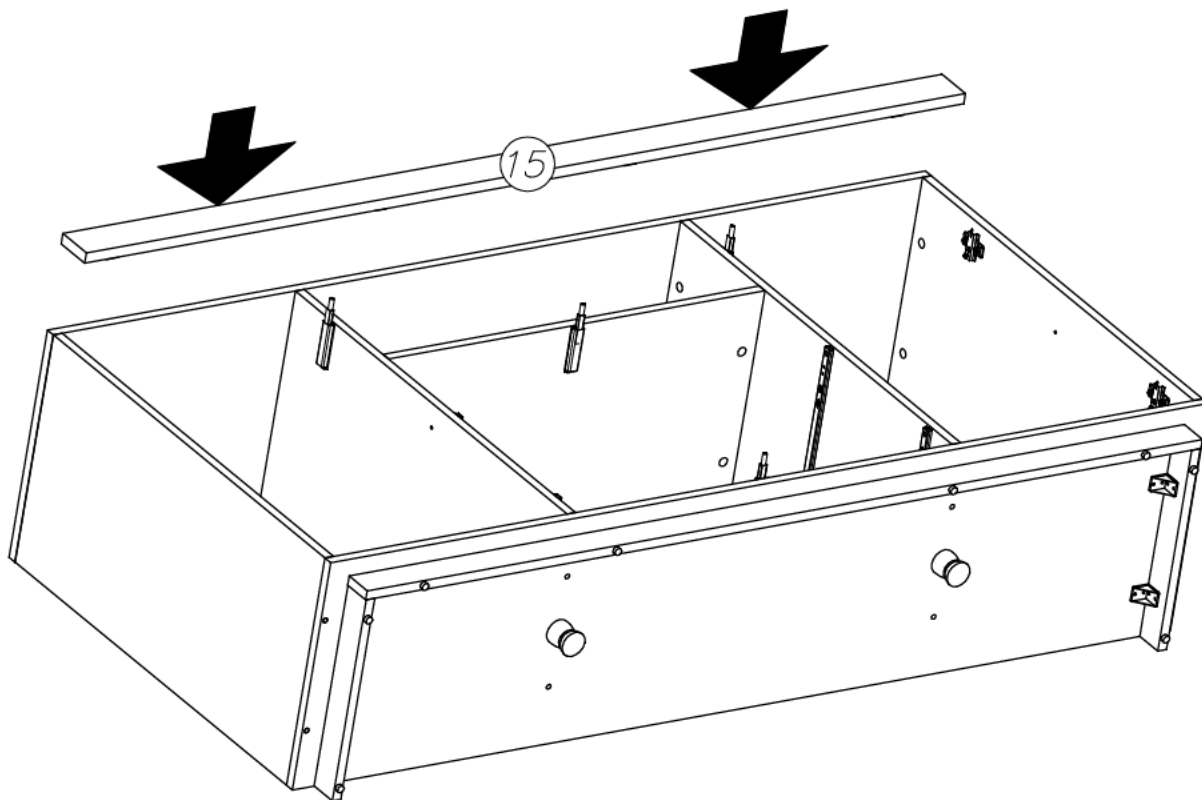


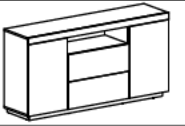


XI

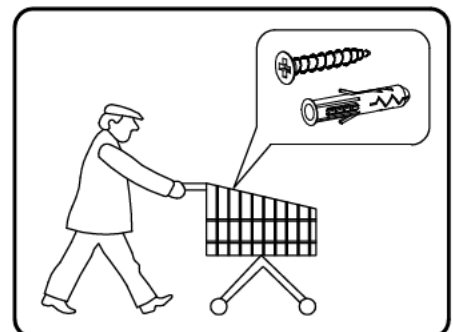
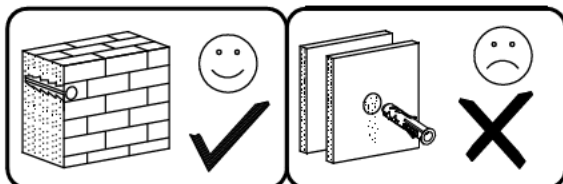
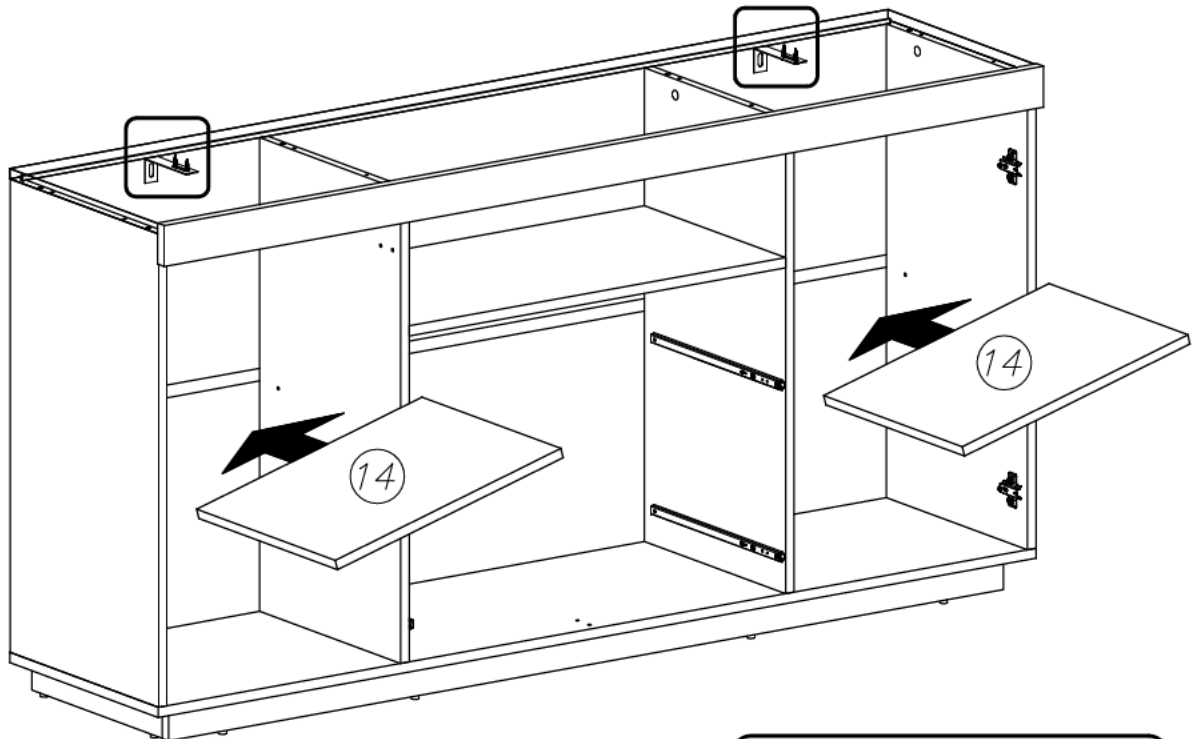
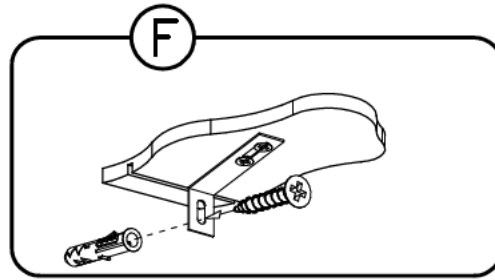
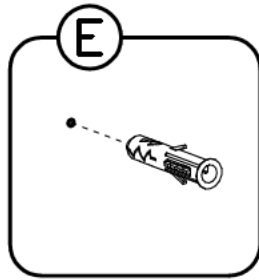
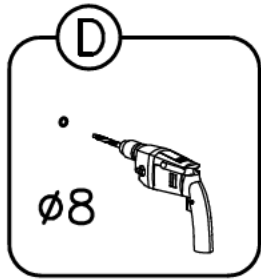
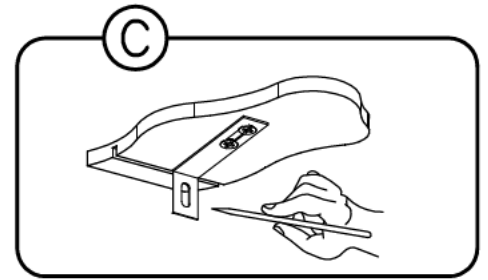
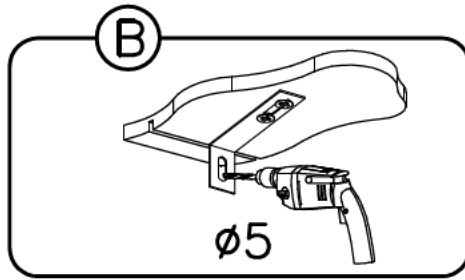
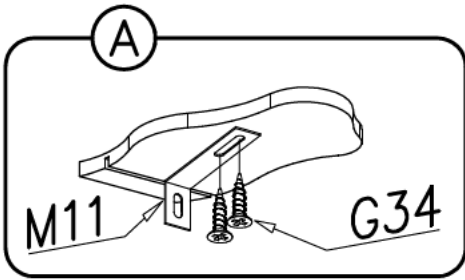


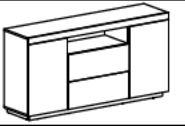
XII



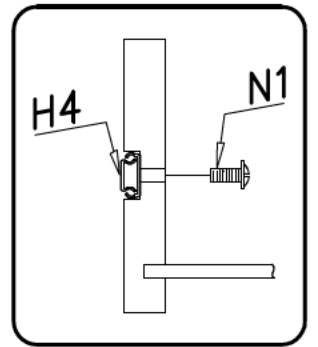
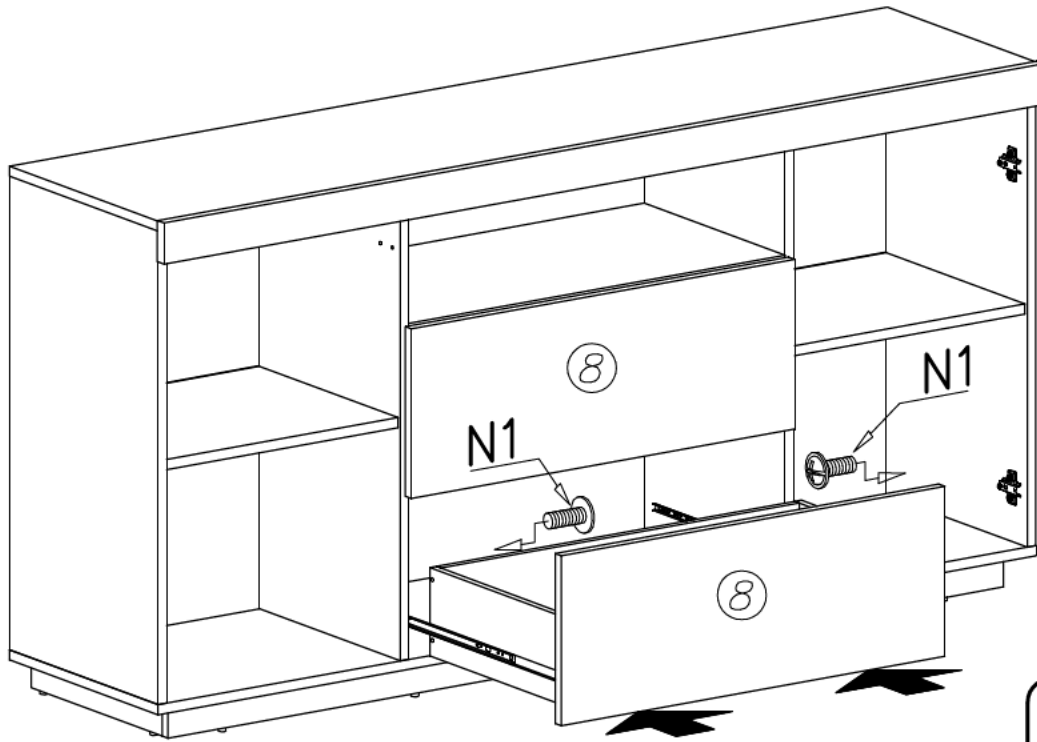


XIII

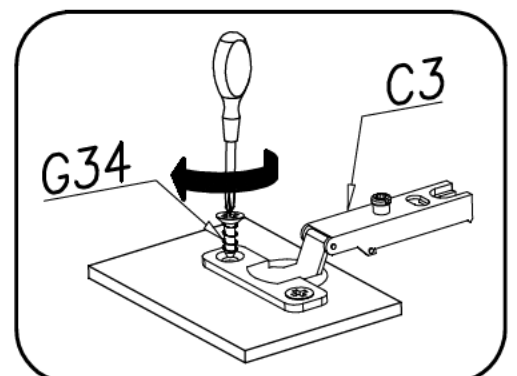
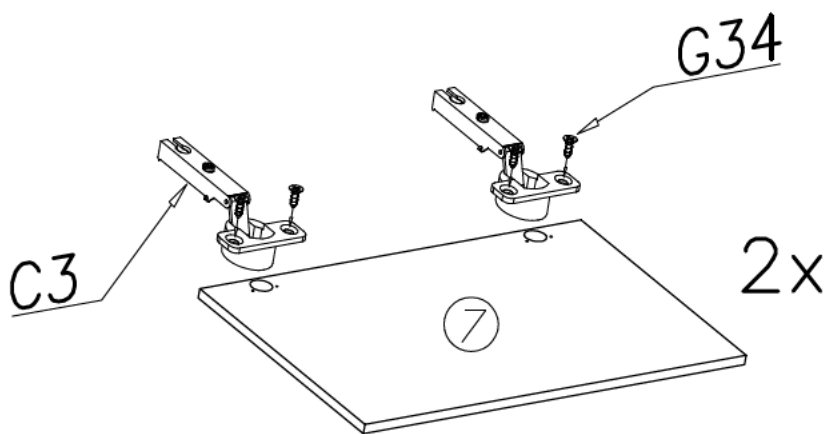


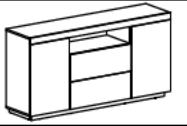


XIV



XV





XVI

