

# ASSEMBLY INSTRUCTION

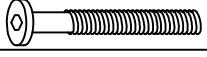


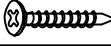
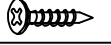




W69177445

Thank you for purchasing this quality product. Be sure to check all packing material carefully for small parts which have come loose inside the carton during shipment. Identify and count all parts and compare with the part list below. Place all wooden furniture parts on a clean and flat soft surface, such as carpet or rug to prevent from being scratched.

## LIST OF PARTS

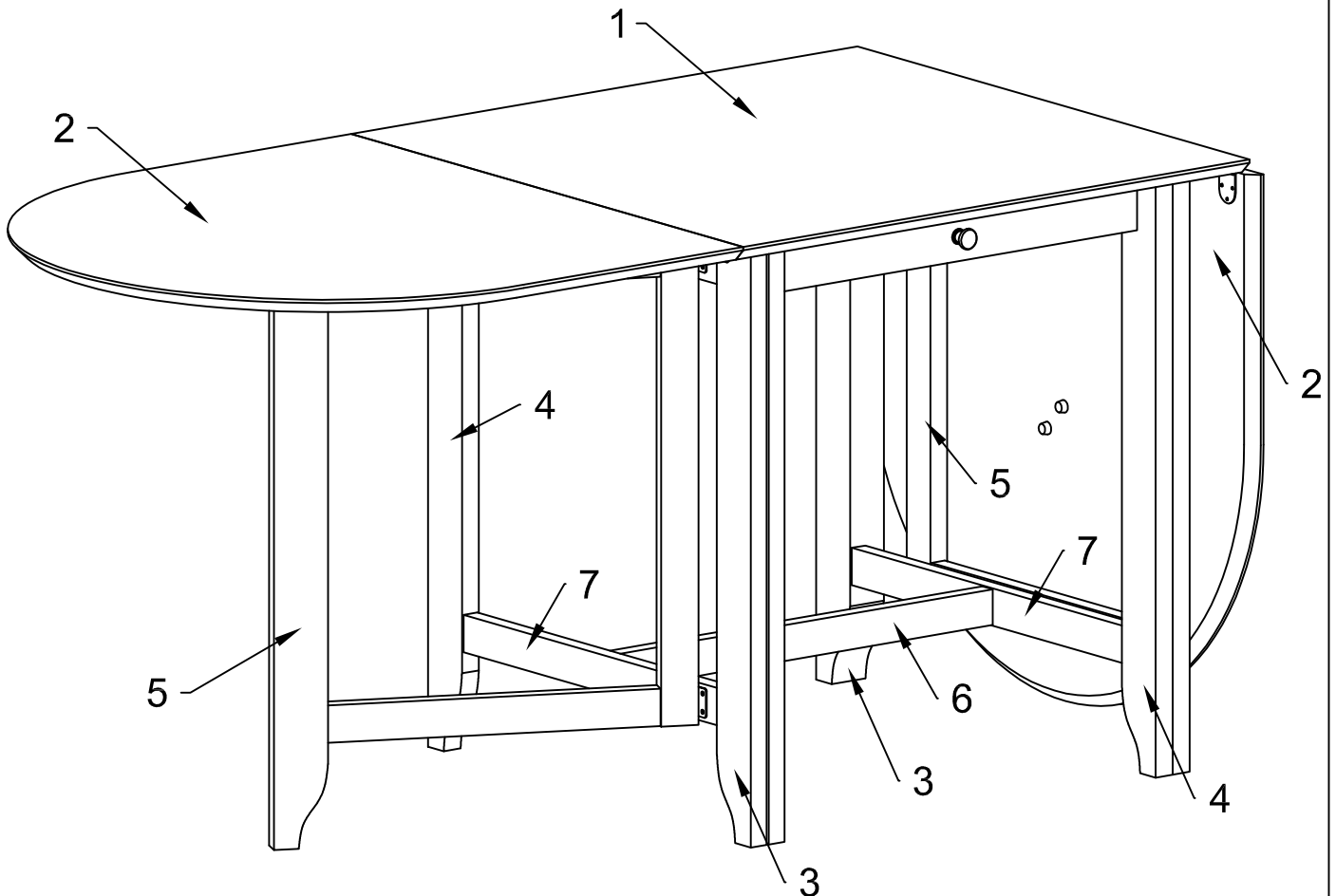
No	Description	Qty
1	Table Top	1 PC
2	Dropleaf	2 PCS
3	Table Leg (L)	2 PCS
4	Table Leg (R)	2 PCS
5	Swing Leg Frame	2 PCS
6	Stretcher (Long)	1 PC
7	Stretcher (Short)	2 PCS

## HARDWARE LIST

No	Description	Qty
A	JCBC BOLT 	8 PCS
B	Spring Washer 	8 PCS
C	Flat Washer 	8 PCS
D	Wood Screw (Long) 	6 PCS
E	Wood Screw (Short) 	44 PCS
F	Handle Screw 	1 PC
G	Hinges 	6 PCS
H	Handle 	1 PC
I	Allen Key 	1 PC

### WARNING

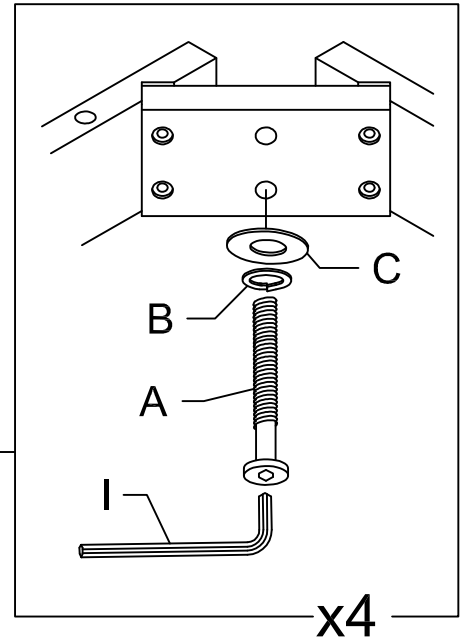
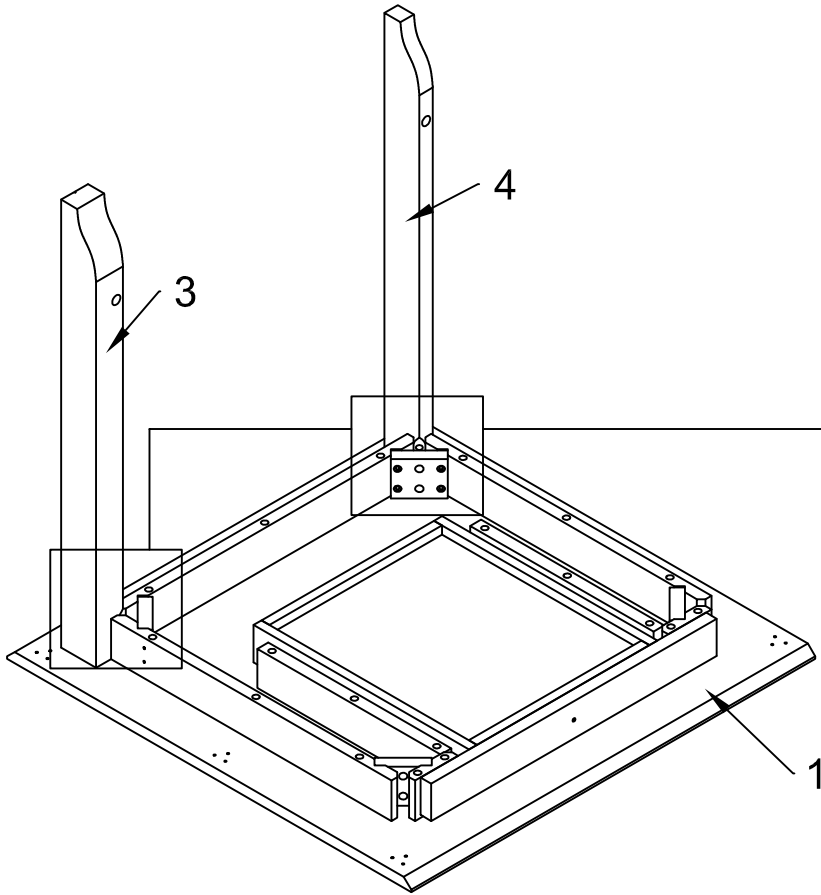
-Do Not over Tighten the bolts and screw



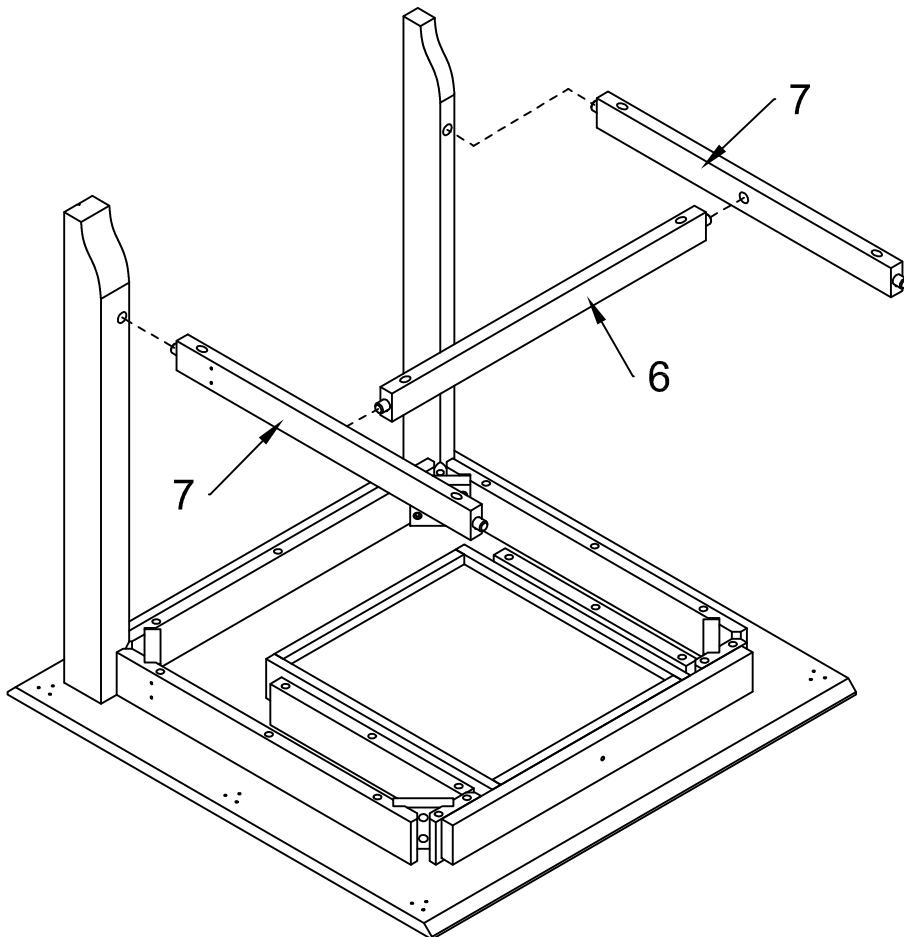
# ASSEMBLY INSTRUCTION

W69177445

1.



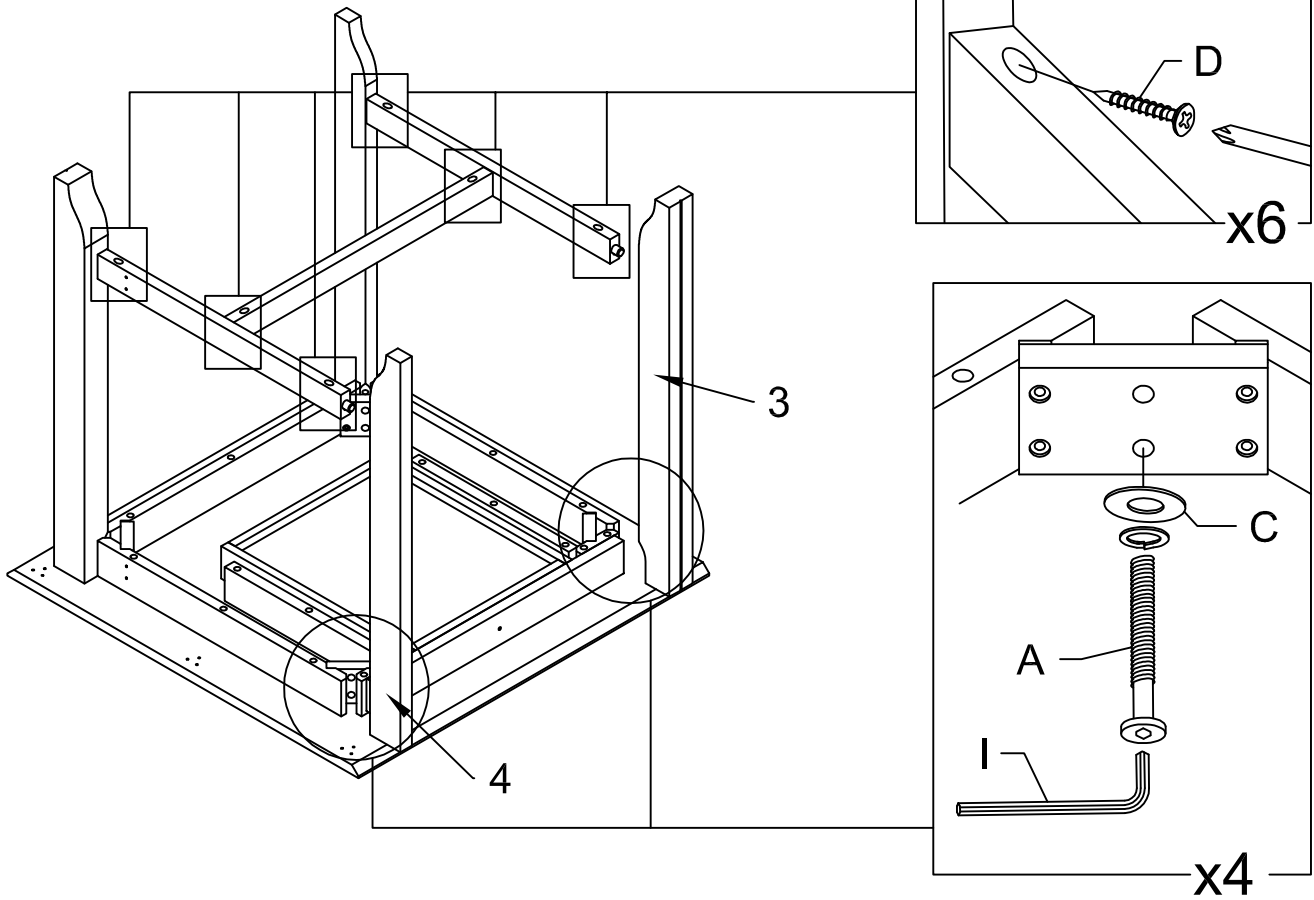
2.



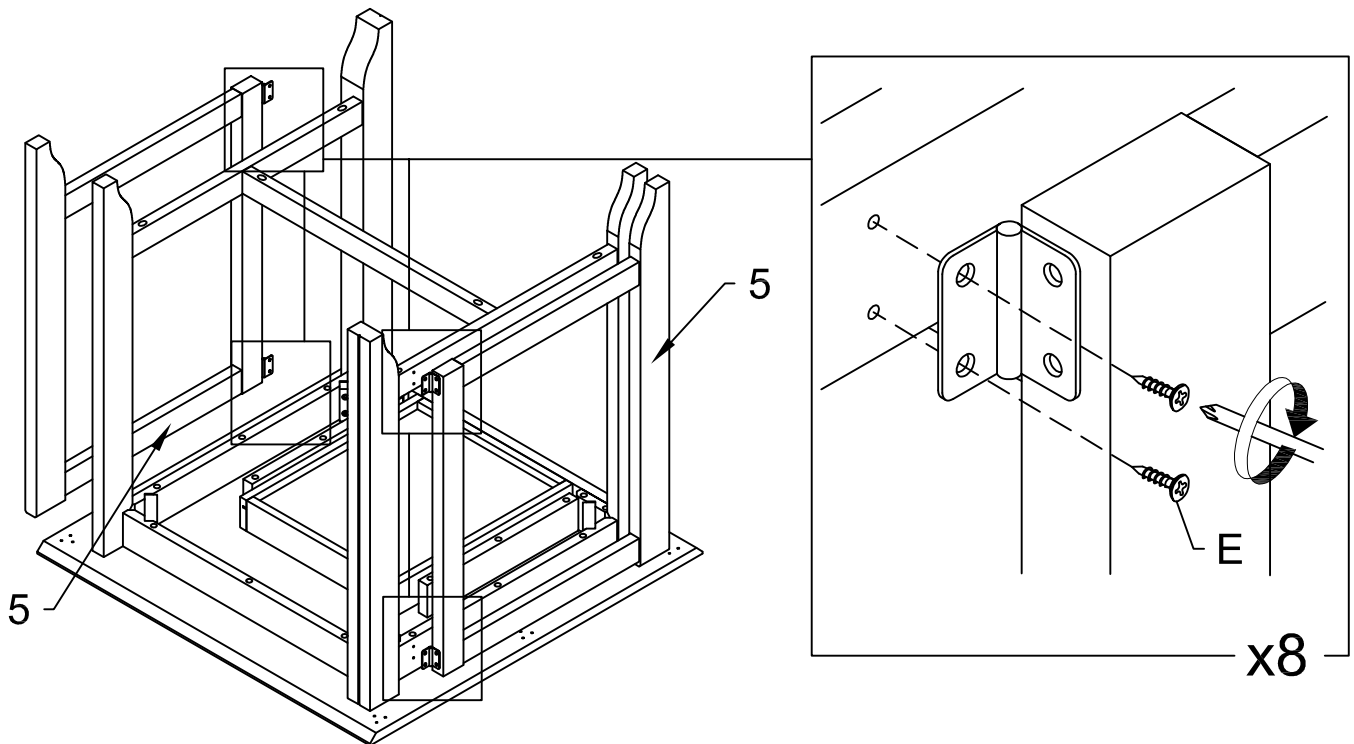
# ASSEMBLY INSTRUCTION

W69177445

3.



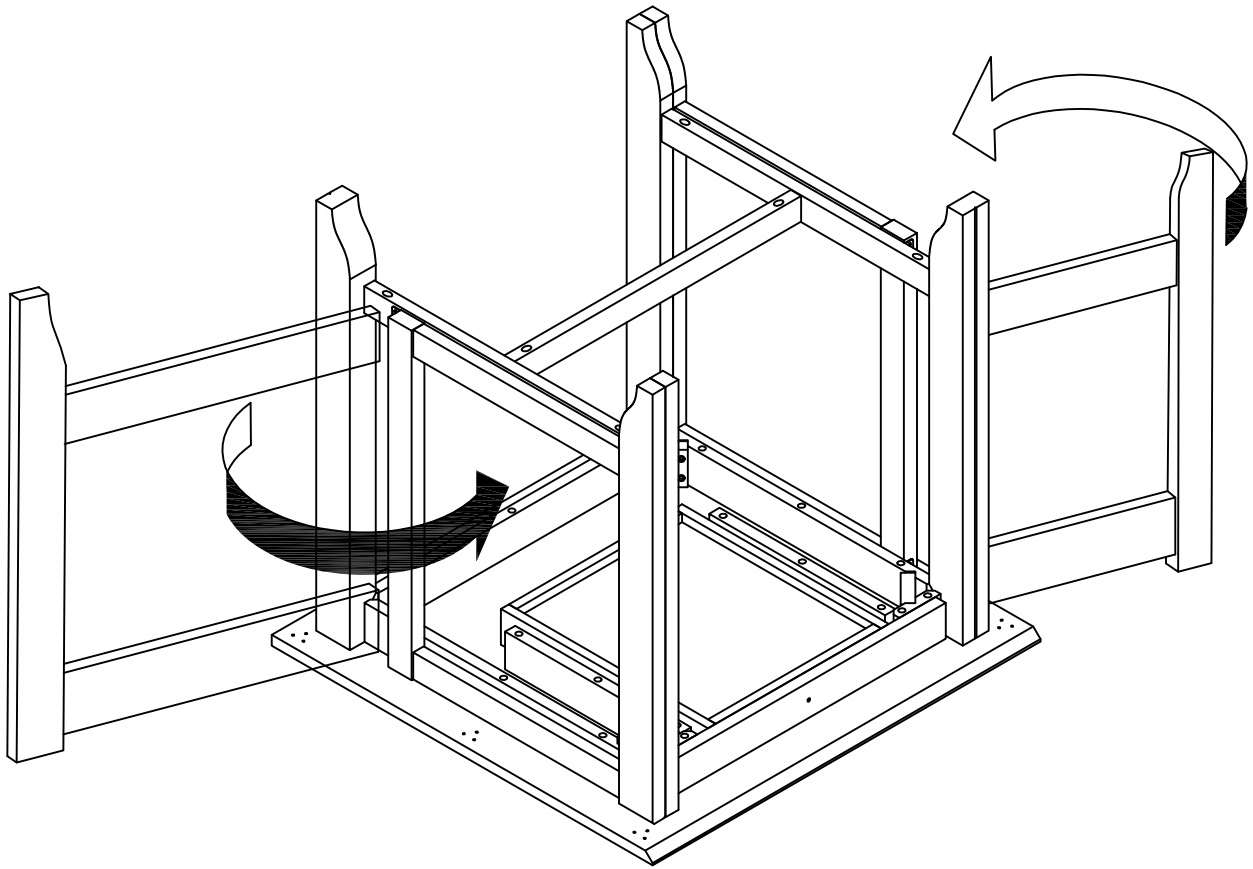
4.



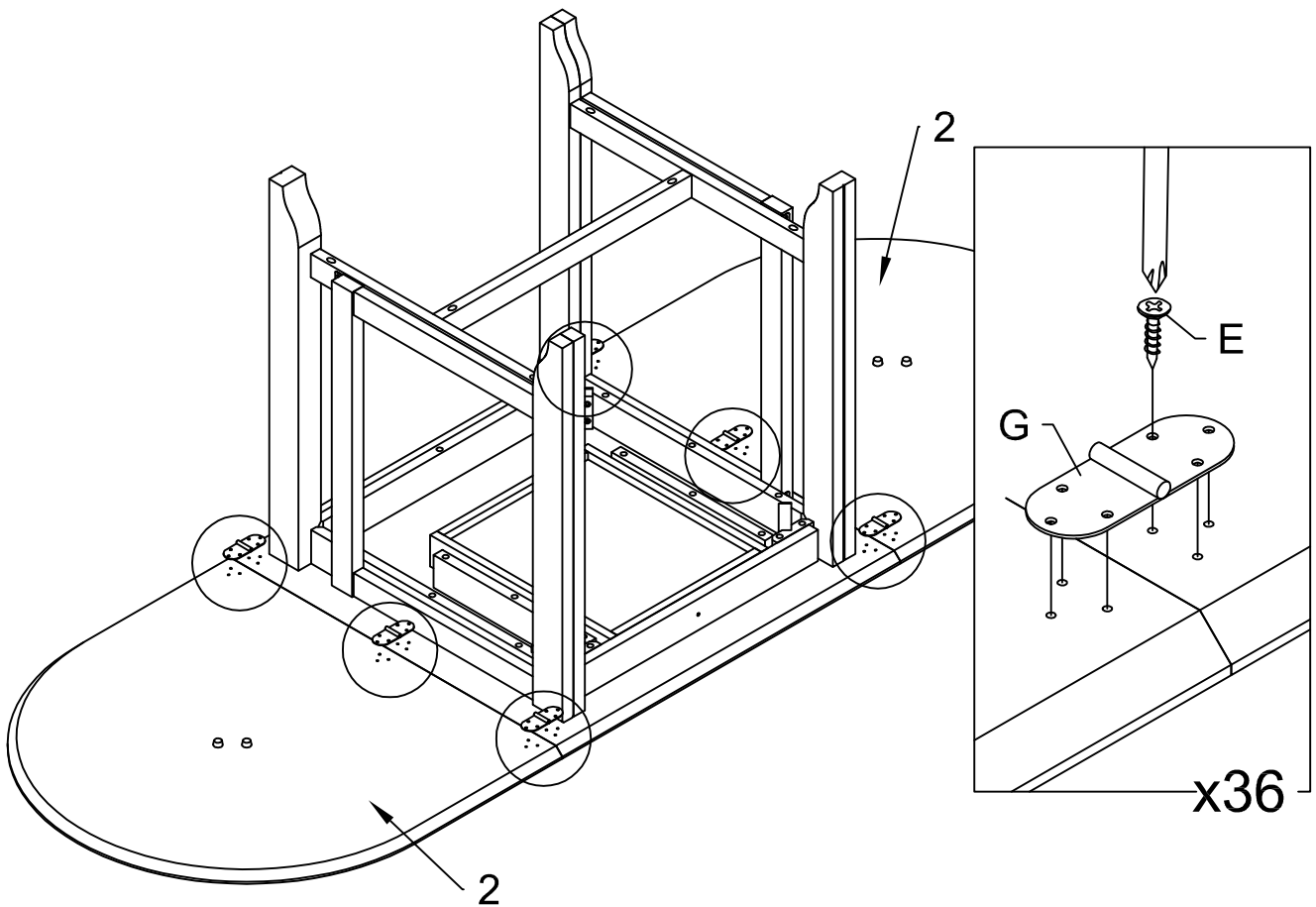
# ASSEMBLY INSTRUCTION

W69177445

5.



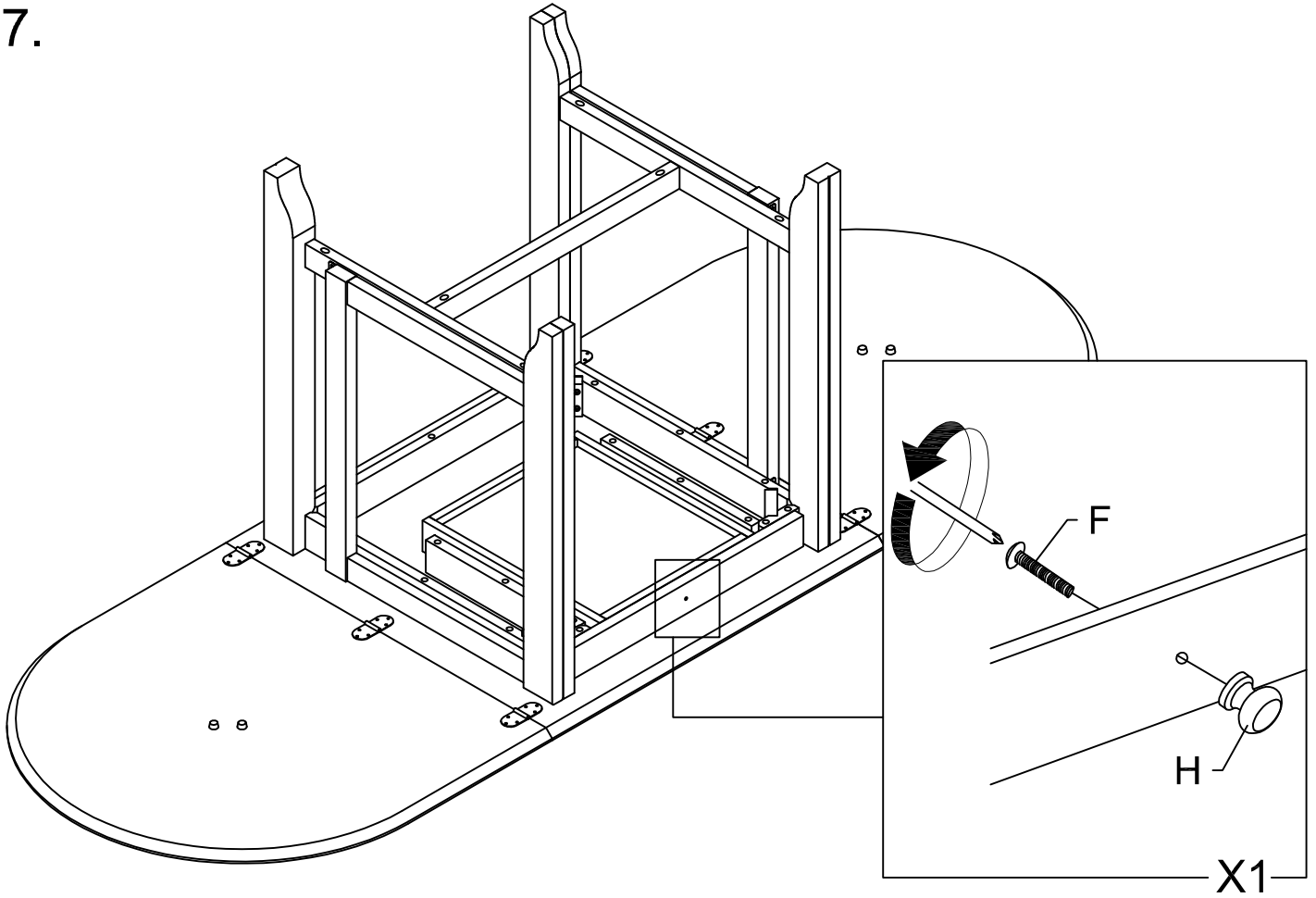
6.



# ASSEMBLY INSTRUCTION

W69177445

7.



8.

