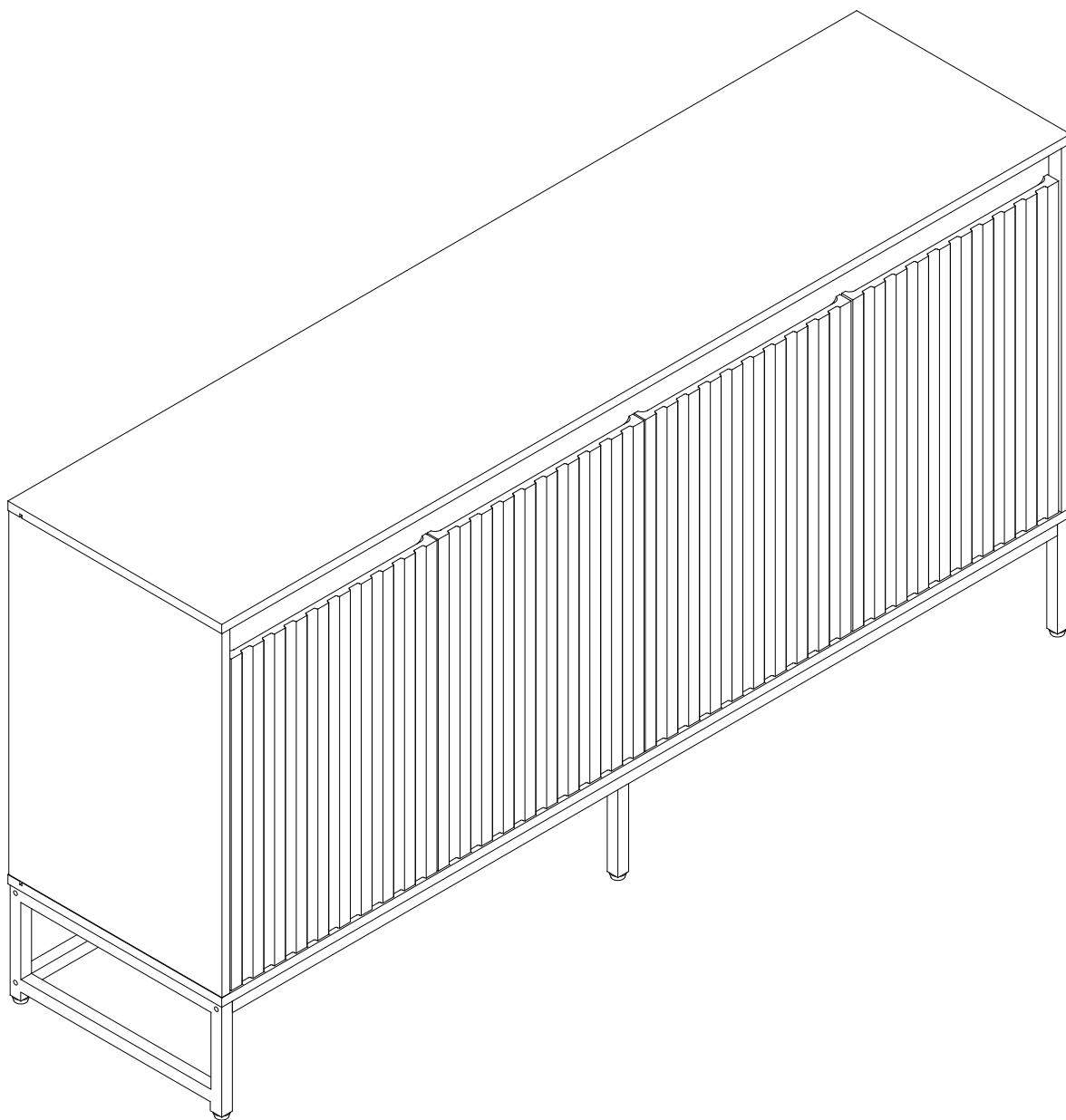


Installation Instruction



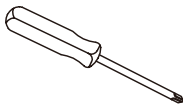
Product name

4 Door Cabinet

Assembling

What you need

- Use the packaging carton as a working surface to prevent product damage during assembly
- Phillips head screwdriver



Weight Limitation



40

lbs table top

|

22

lbs per shelf



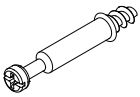
2 PERSONS

What 's included

Code	Description	Qty
A	Cam Bolt M6X35MM	16
B	Cam Lock 15X10MM	16
C	Wooden Dowel M6X30MM	16
D	Screw M4X35MM	12
E	Screw M4X14MM	48
F	Hinge	4
G	Bolt M6X30MM	10
H	Bolt M6X40MM	6
I	Allen Key	1
J	Anchor M6X30MM	2
K	Nylon Strap	2
L	Plastic Corner Support	16
M	Screw M3X16MM	16
N	Screw M4X12MM	2
O	Bolt M6X12MM	2
P	Metal Washer	4
Q	Hinge	4
R	Metal Support	8
S	Light Belt	1
T	Pad	4

The hardware

(A)



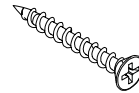
(B)



(C)



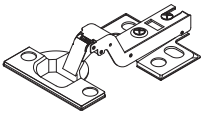
(D)



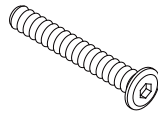
(E)



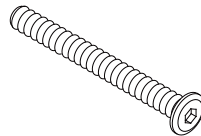
(F)



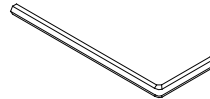
(G)



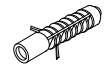
(H)



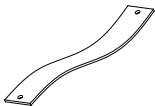
(I)



(J)



(K)



(L)



(M)



(N)



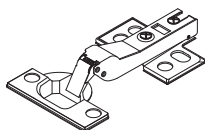
(O)



(P)



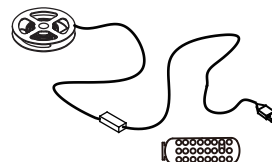
(Q)



(R)



(S)



(T)



IMPORTANT :

1. Do not tighten bolts / screws completely until all bolts / screws are lined up and inserted into holes.
2. Do not over tighten screws and bolts to avoid stripping.
3. Please use hand tools to assemble this product. Do not use power tools.
4. Must need 2 people to assemble this product.

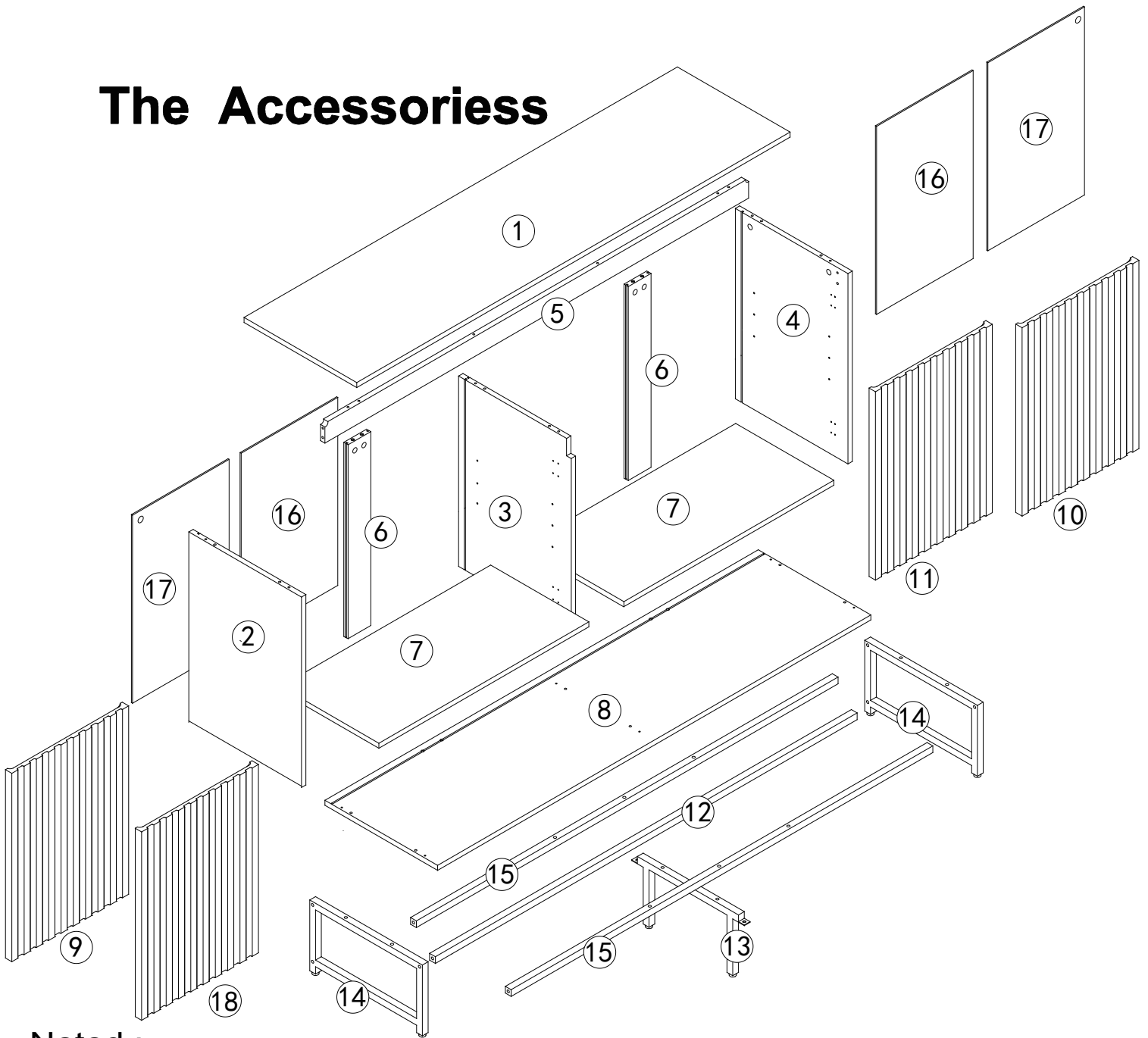


2 PERSONS

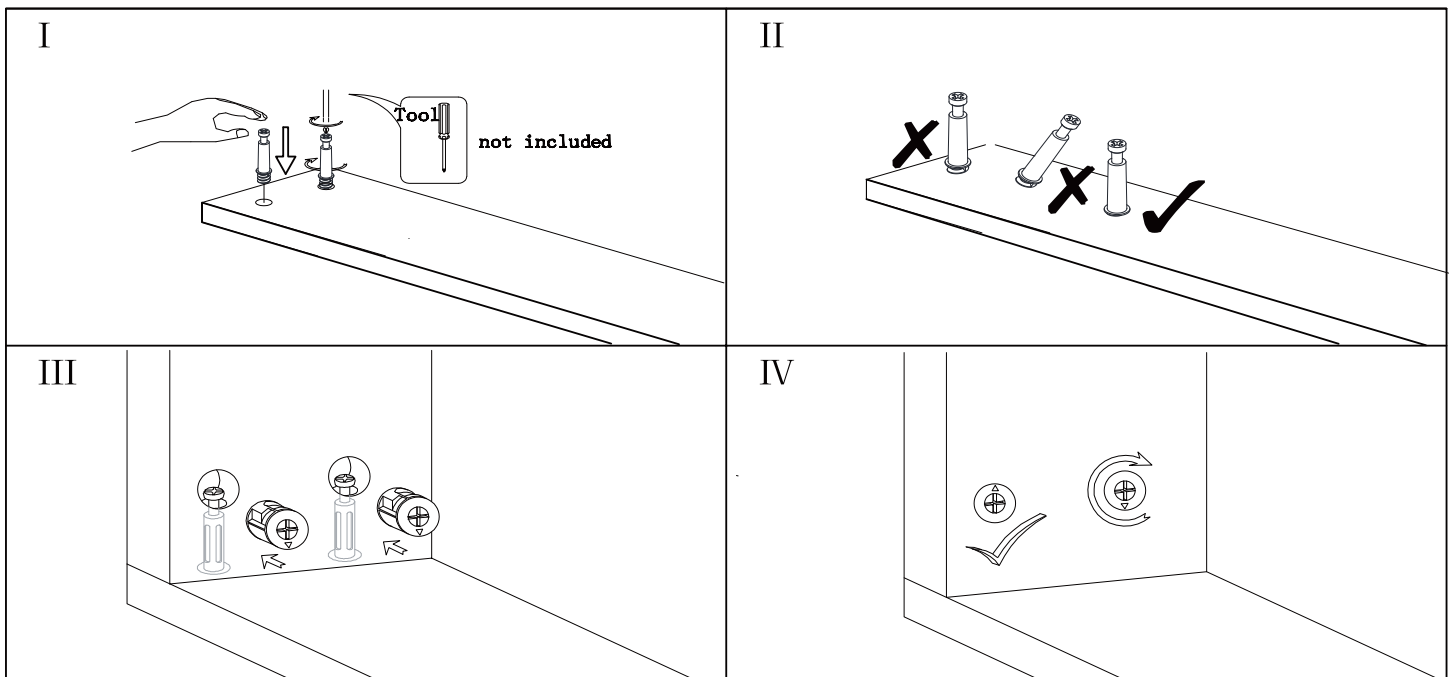
Included Accessories

Code	Description	Qty
1	Cabinet Top	1
2	Left Side Panel	1
3	Middle Division Panel	1
4	Right Side Panel	1
5	Front Top Stretcher	1
6	Back Stretcher	2
7	Shelf	2
8	Bottom Panel	1
9	Door	1
10	Door	1
11	Door	1
12	Bottom Metal Stretcher	1
13	Middle Foot	1
14	Side Frame	2
15	Top Metal Stretcher	2
16	Middle Back Panel	2
17	Left and Right Back Panel	2
18	Door	1

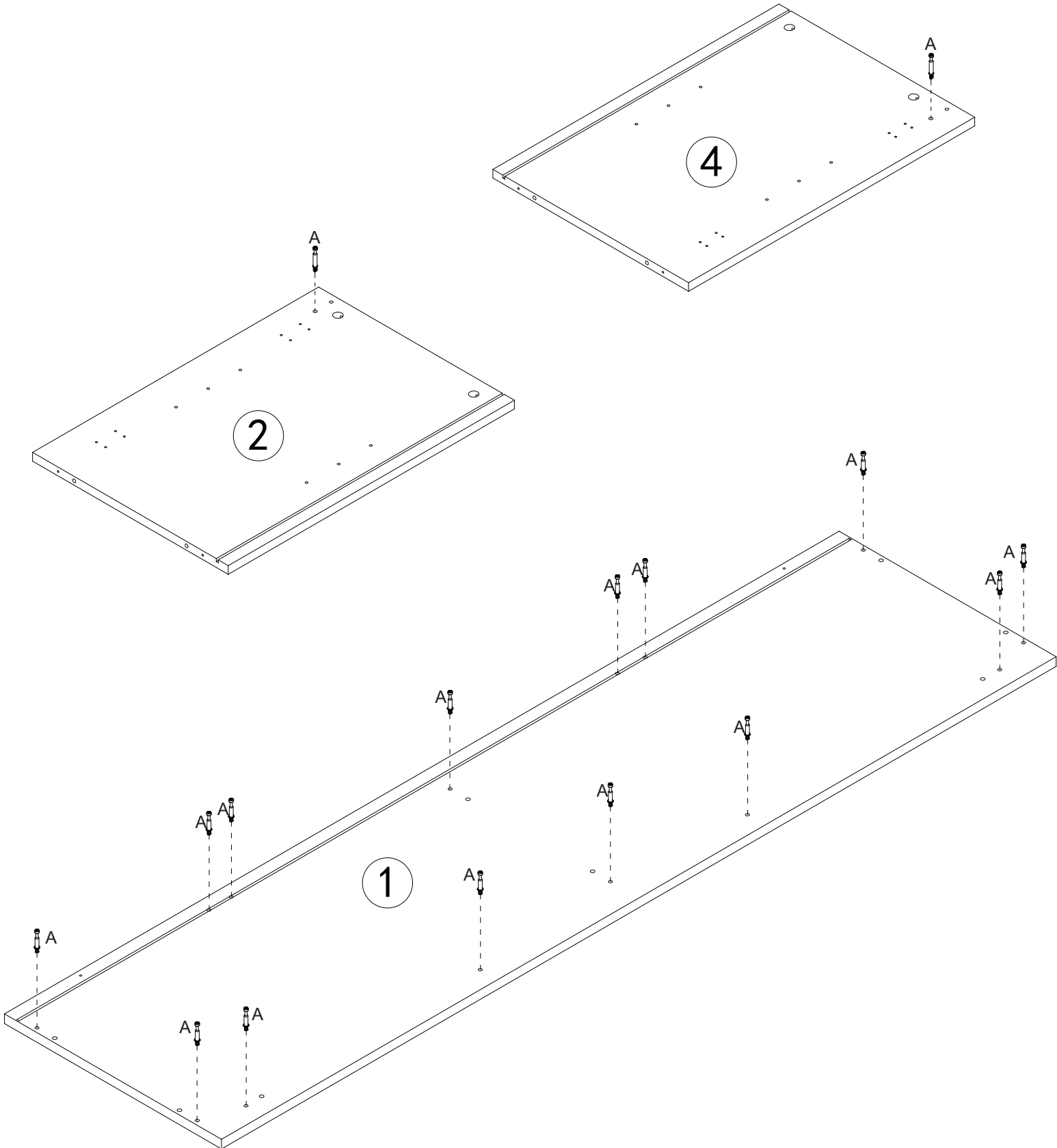
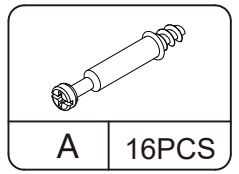
The Accessoriess



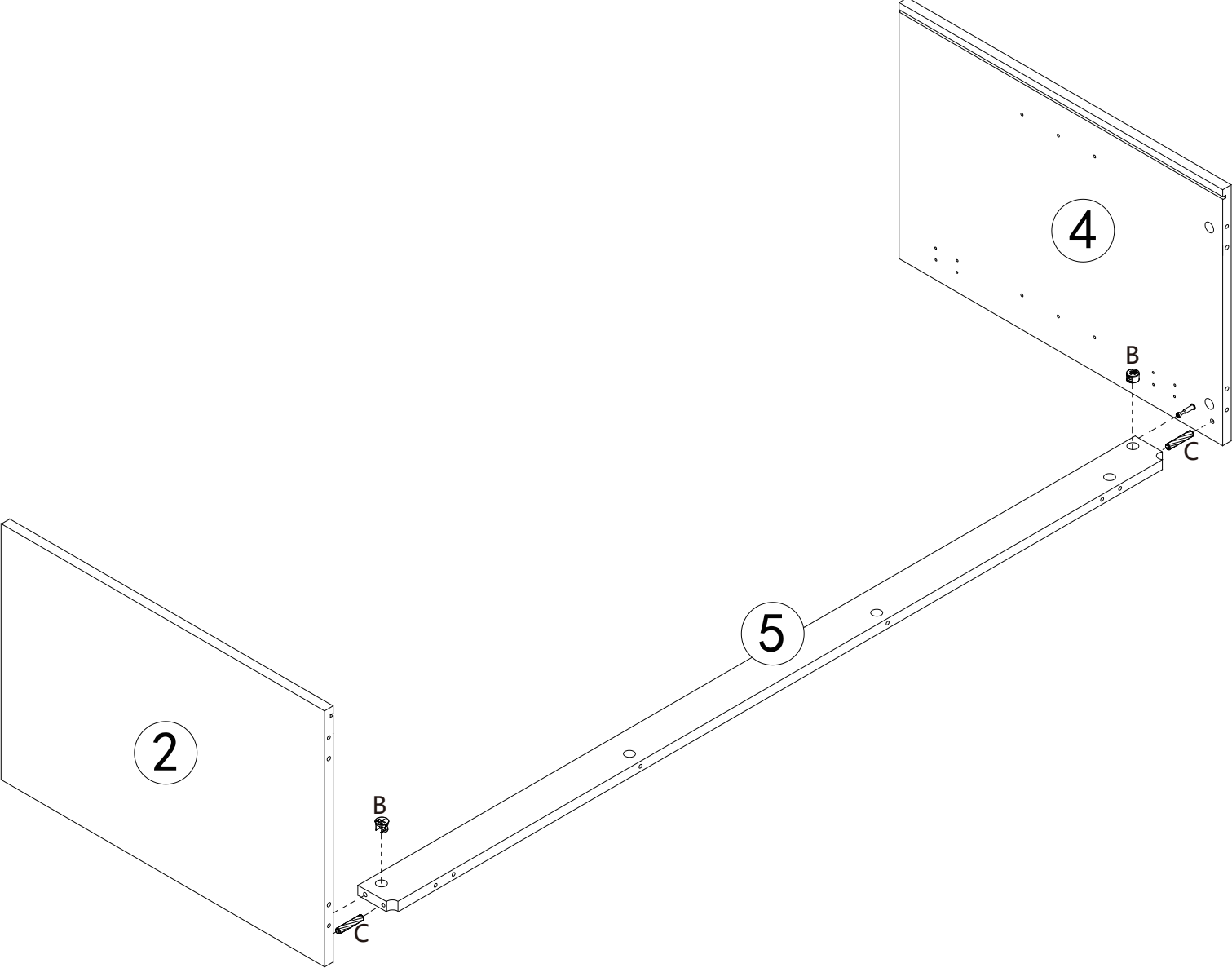
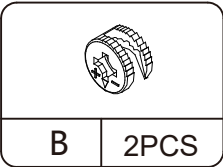
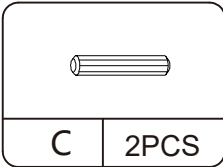
Noted :



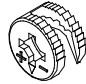

Step 1

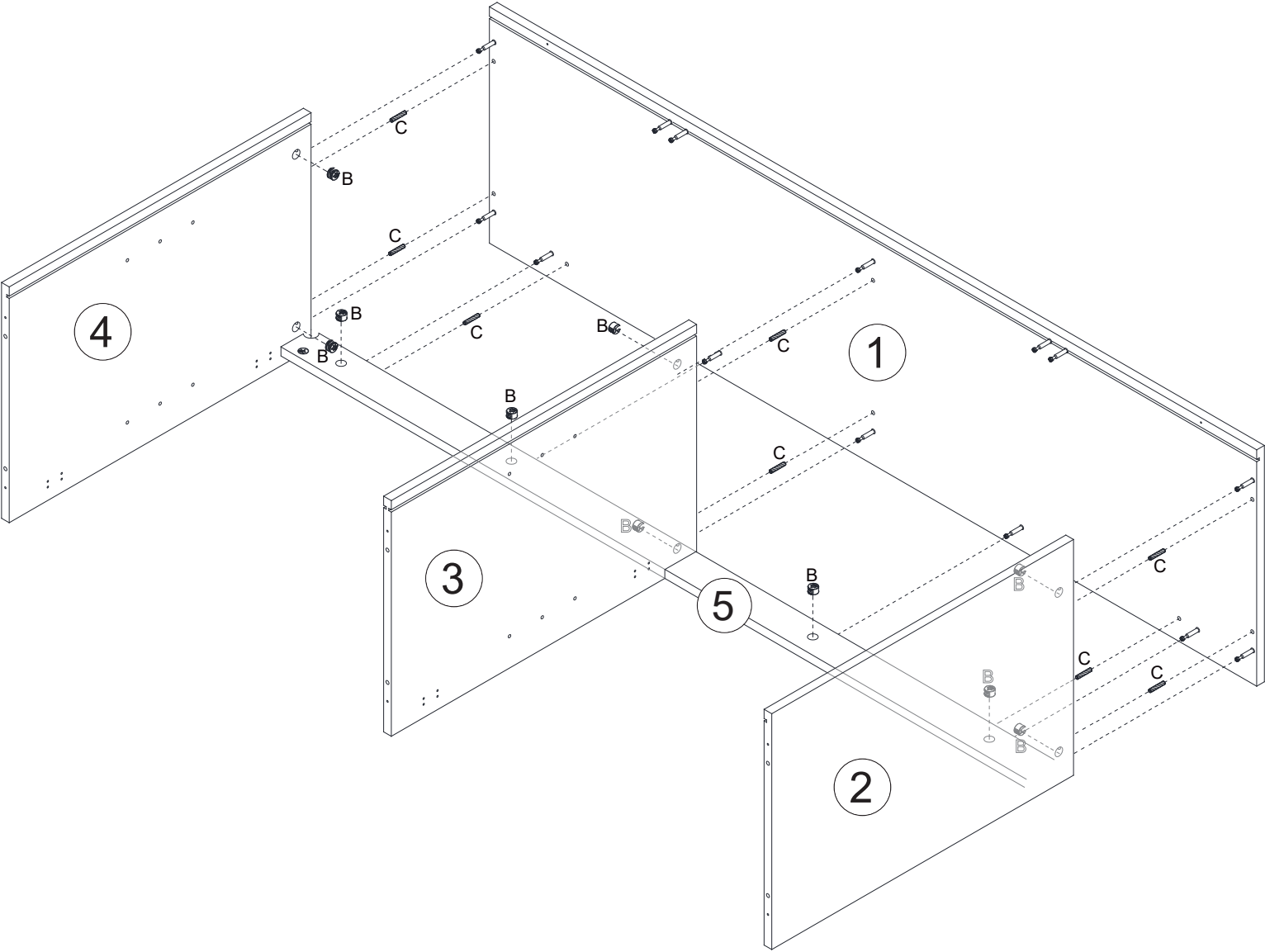


Step 2

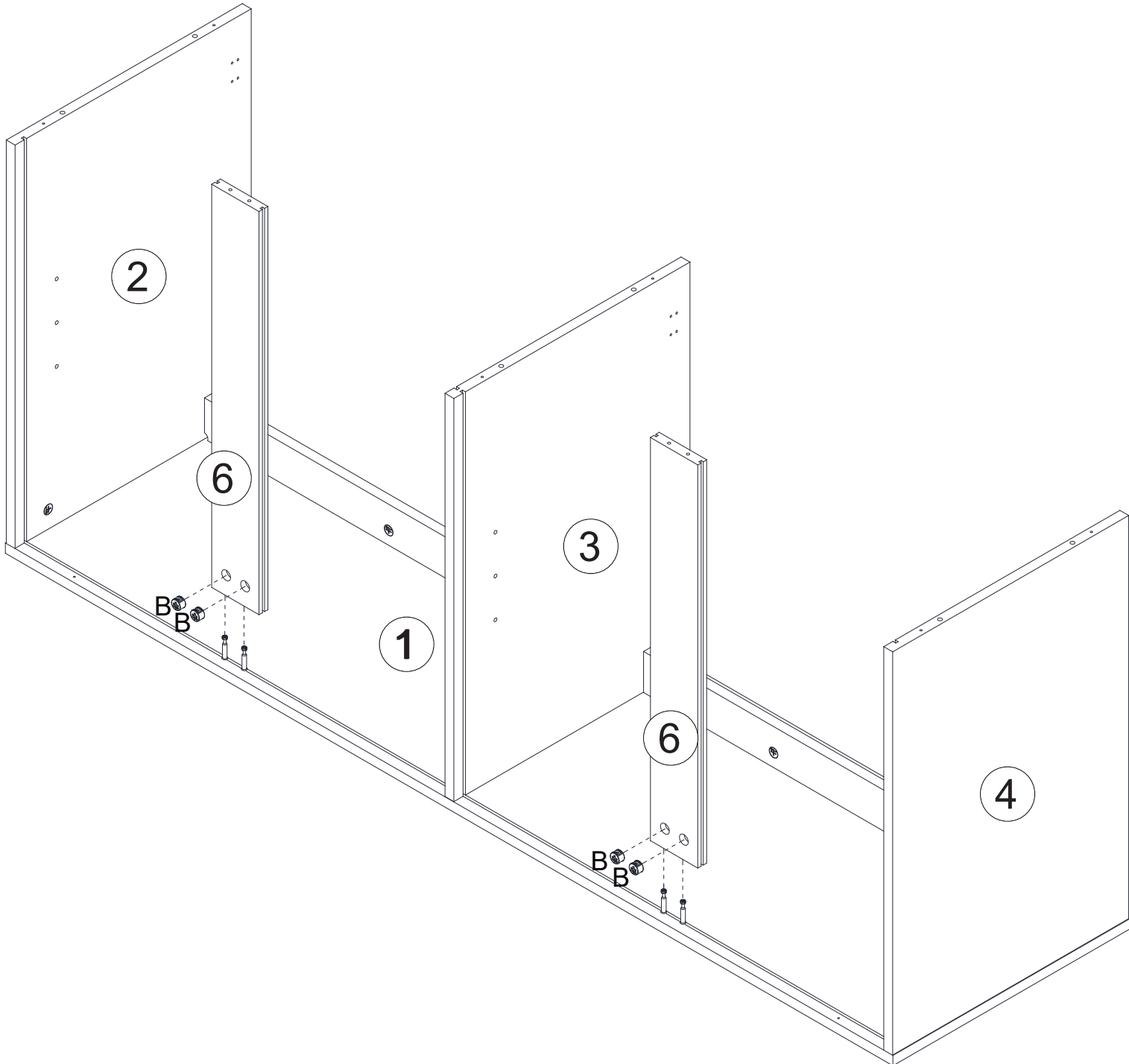
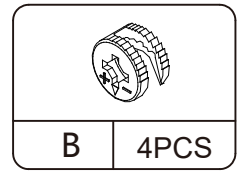


Step 3

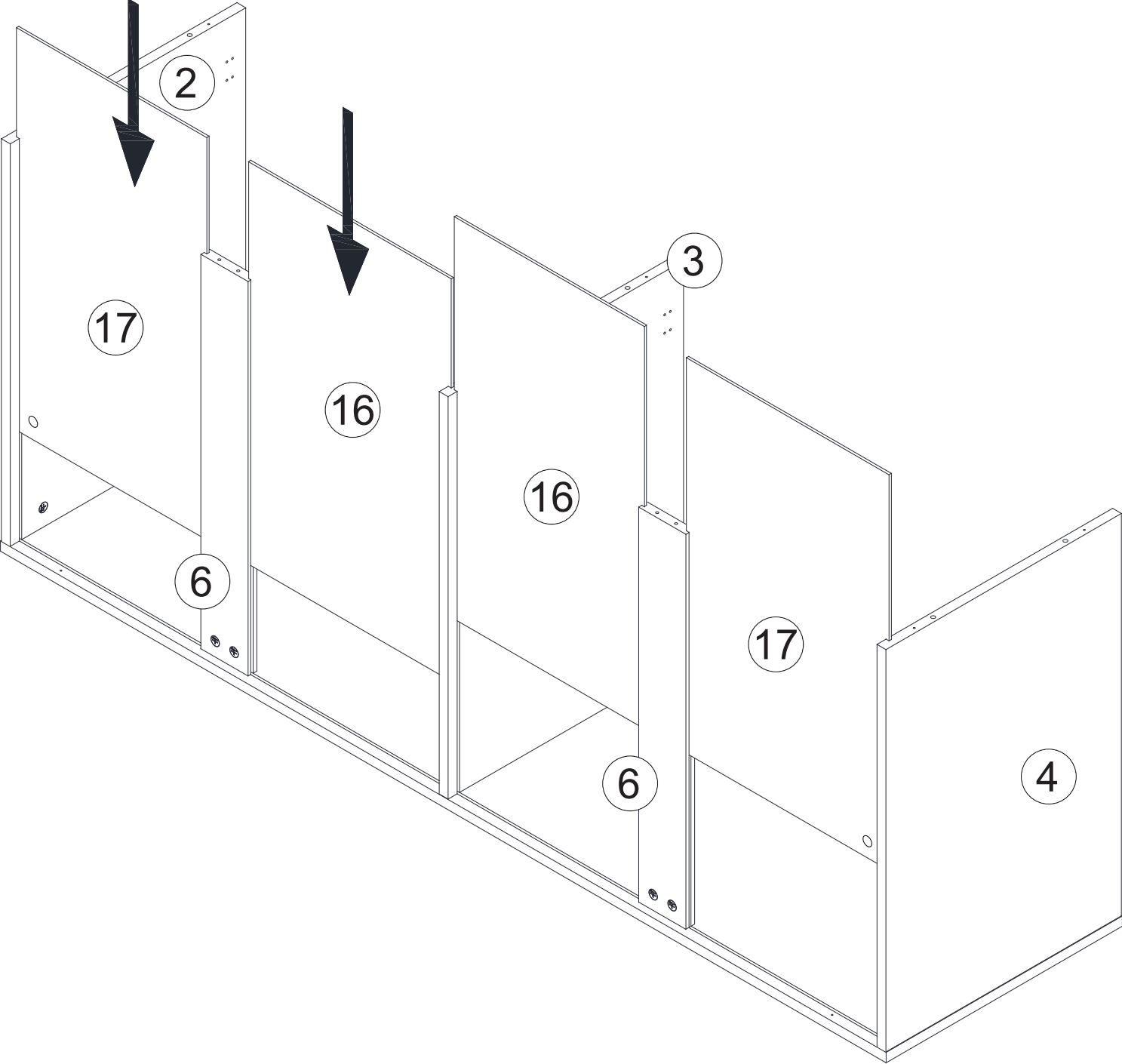
			
B	10PCS	C	8PCS



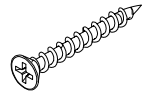

Step 4

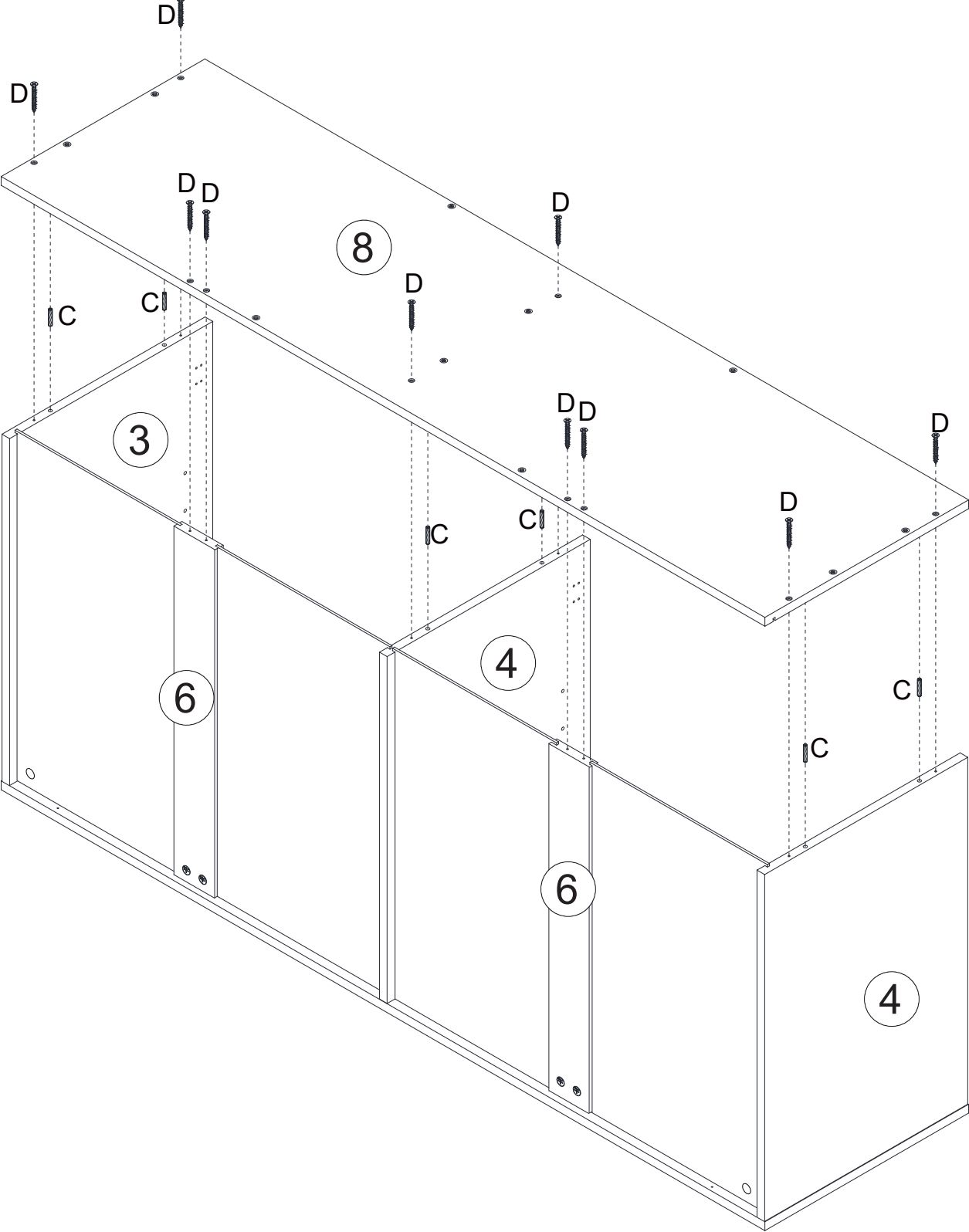


Step 5

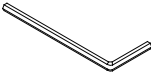


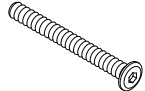
Step 6

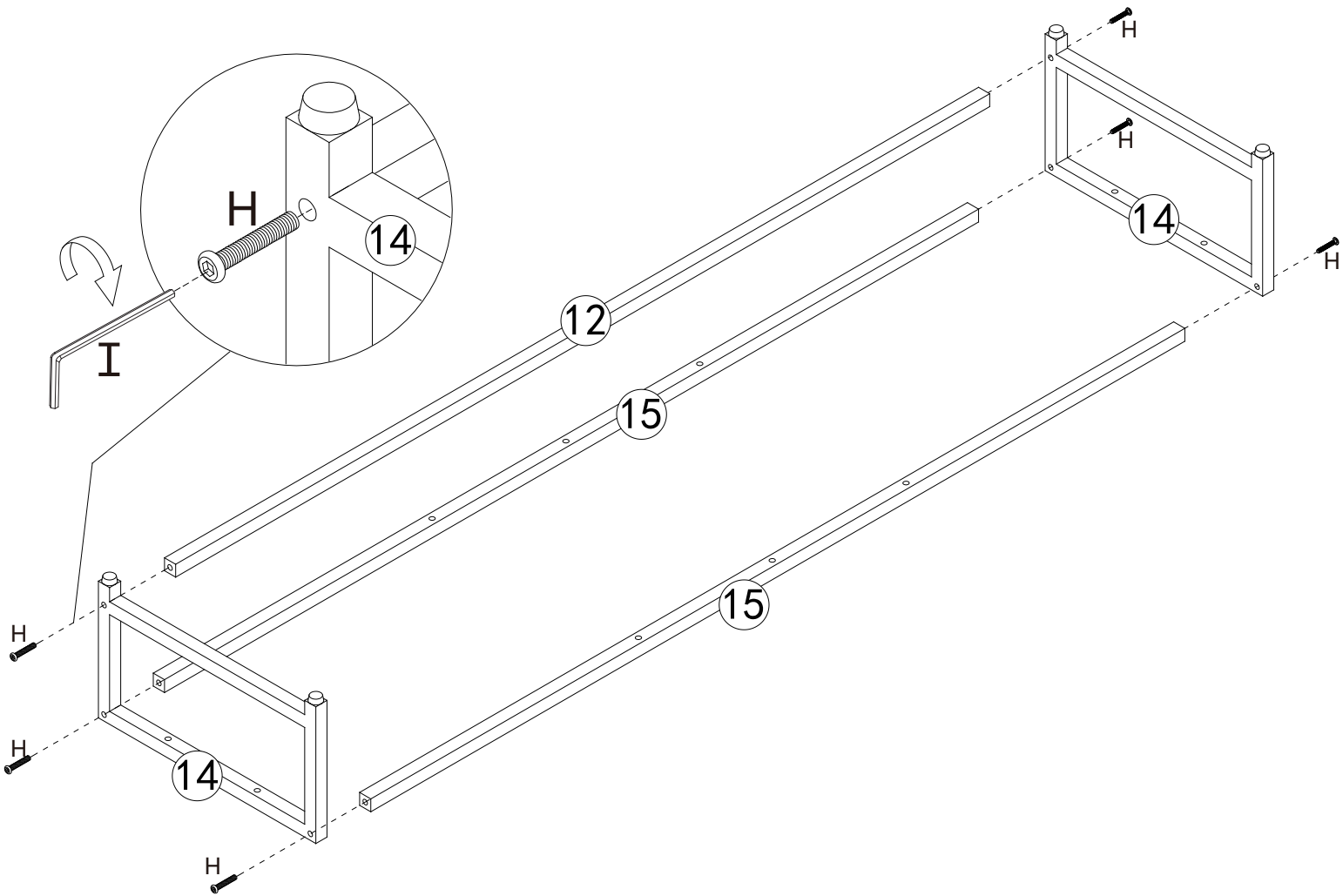
			
D	10PCS	C	6PCS



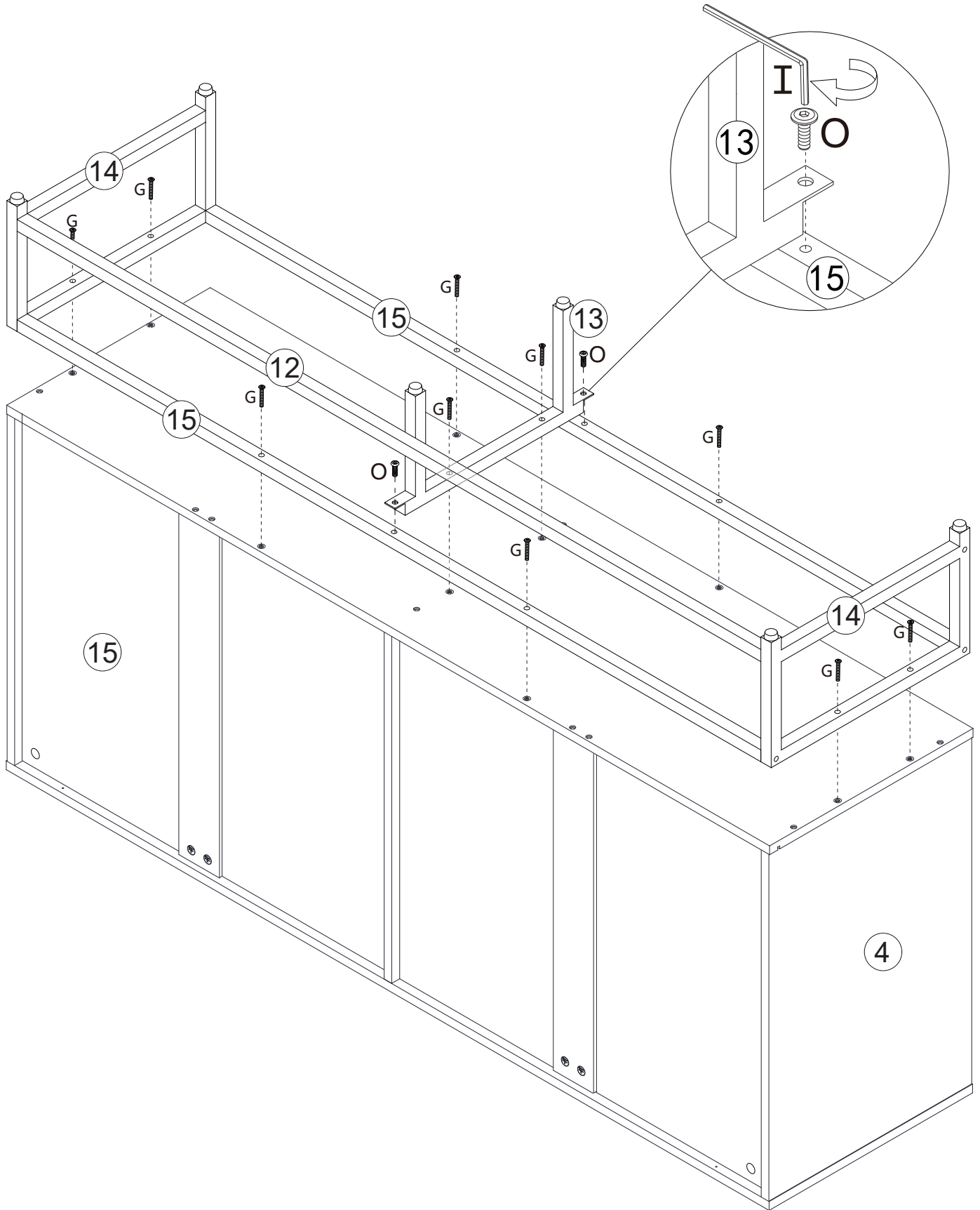
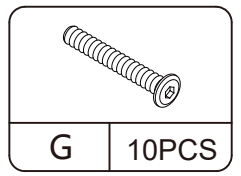
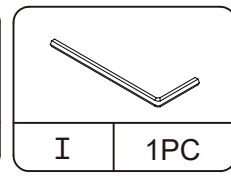
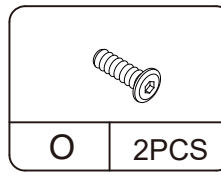
Step 7

	
I	1PC

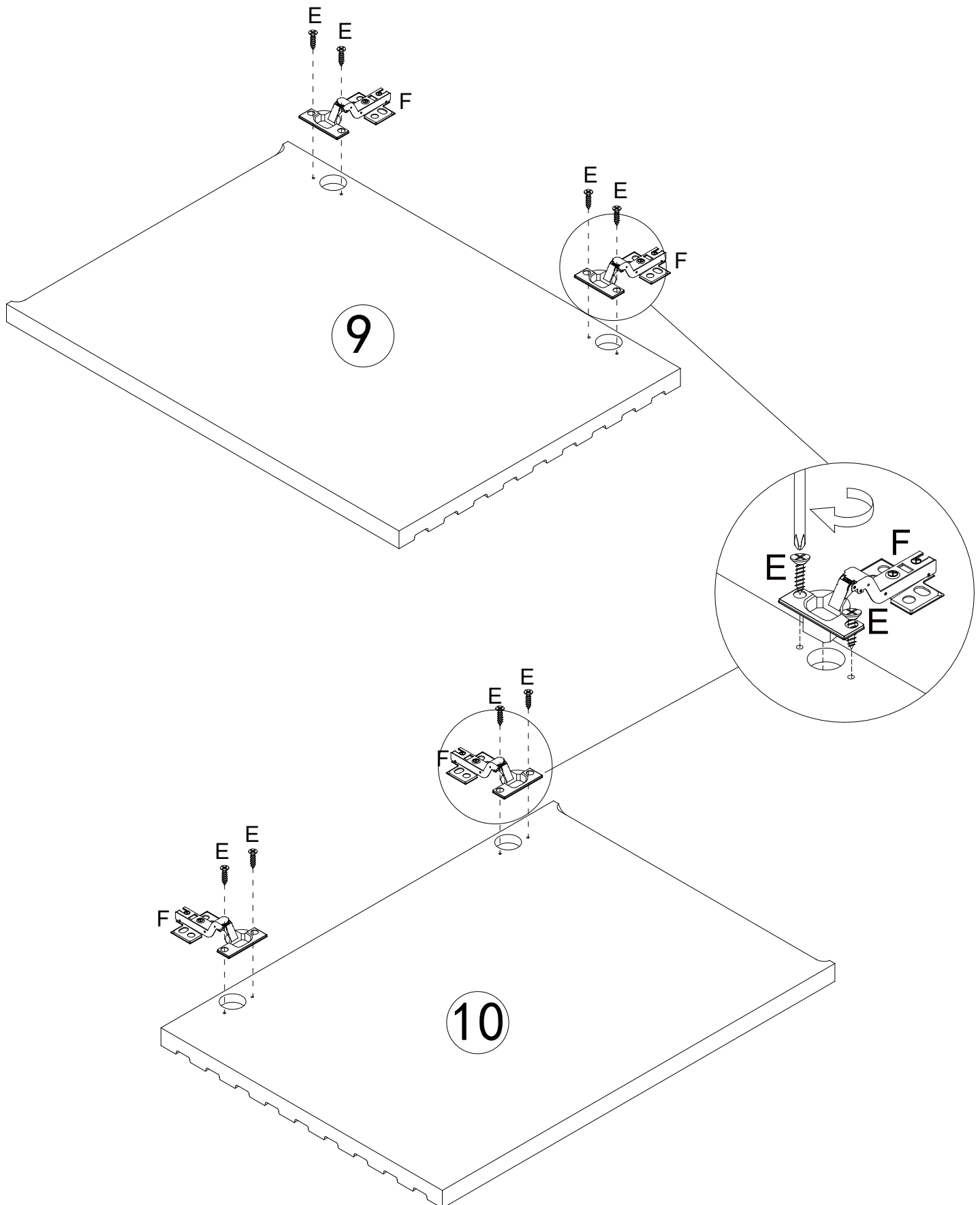
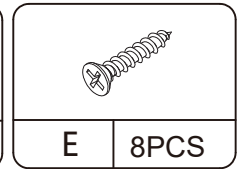
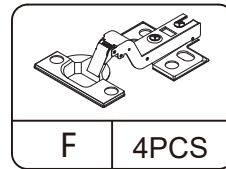
	
H	6PCS



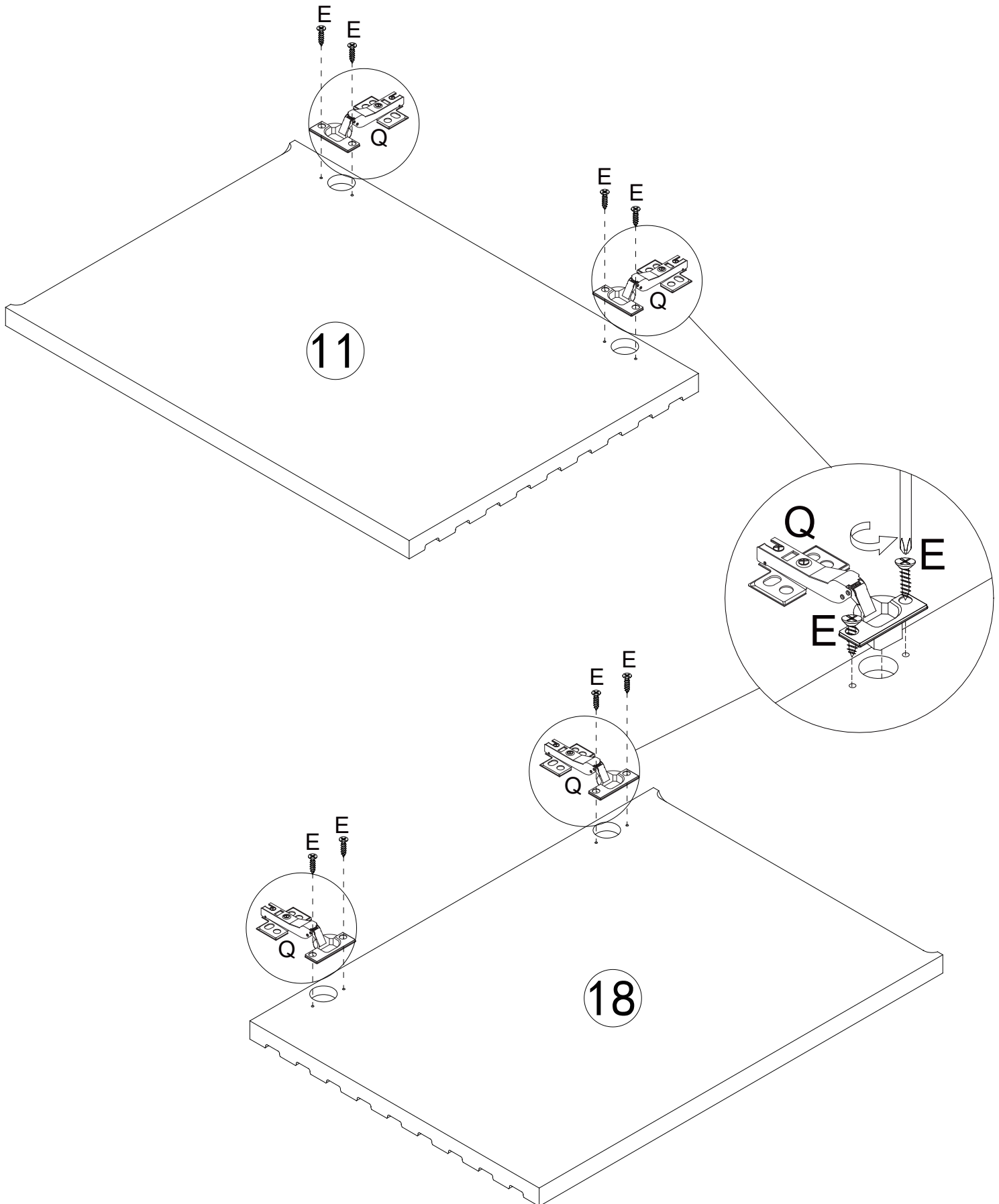
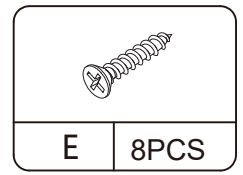
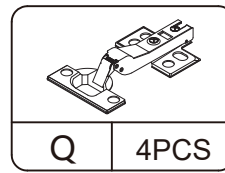
Step 8




Step 9

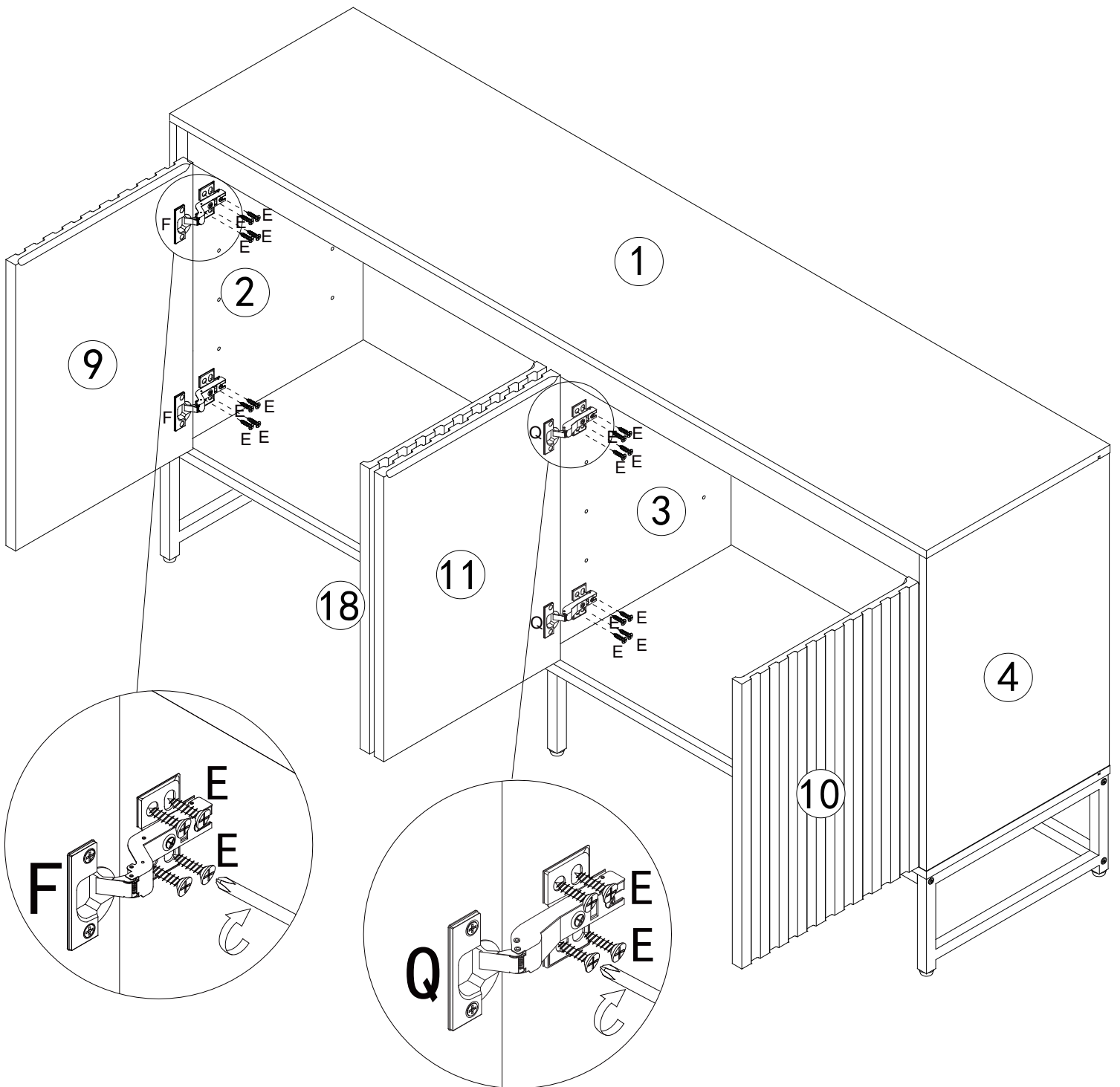
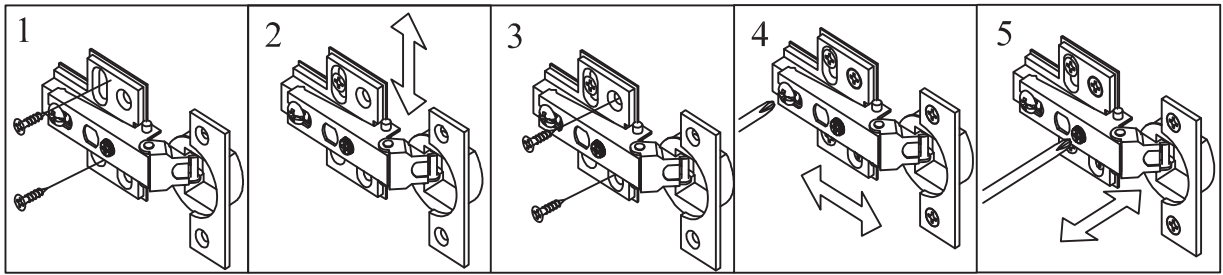


Step 10

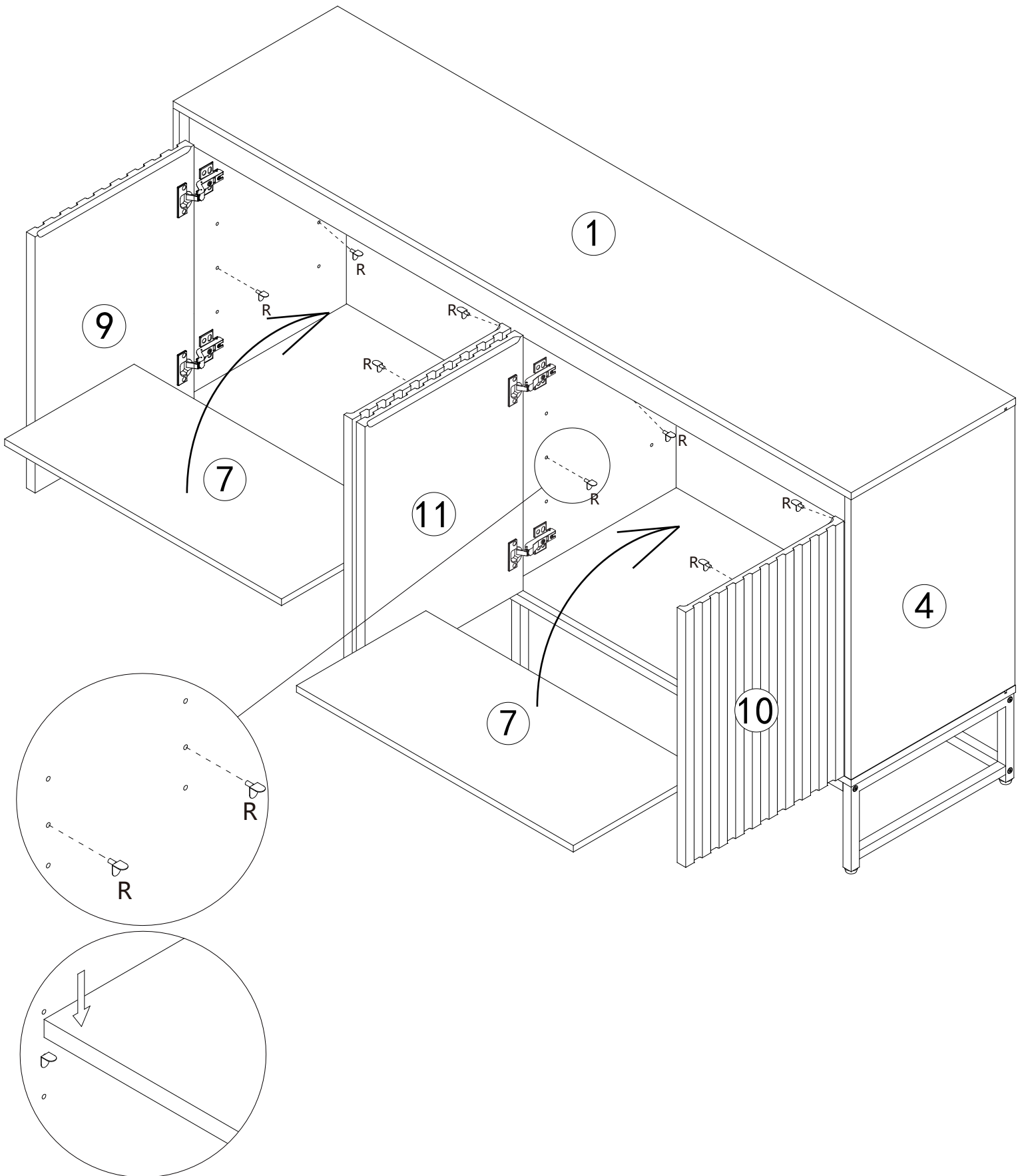
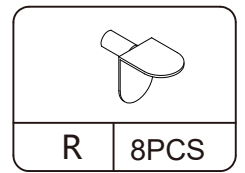


Step 12

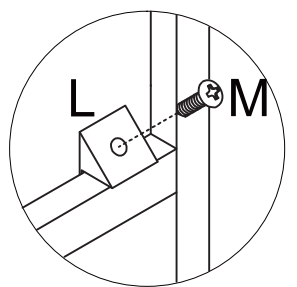
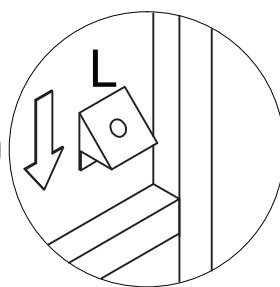
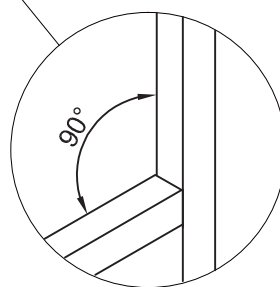
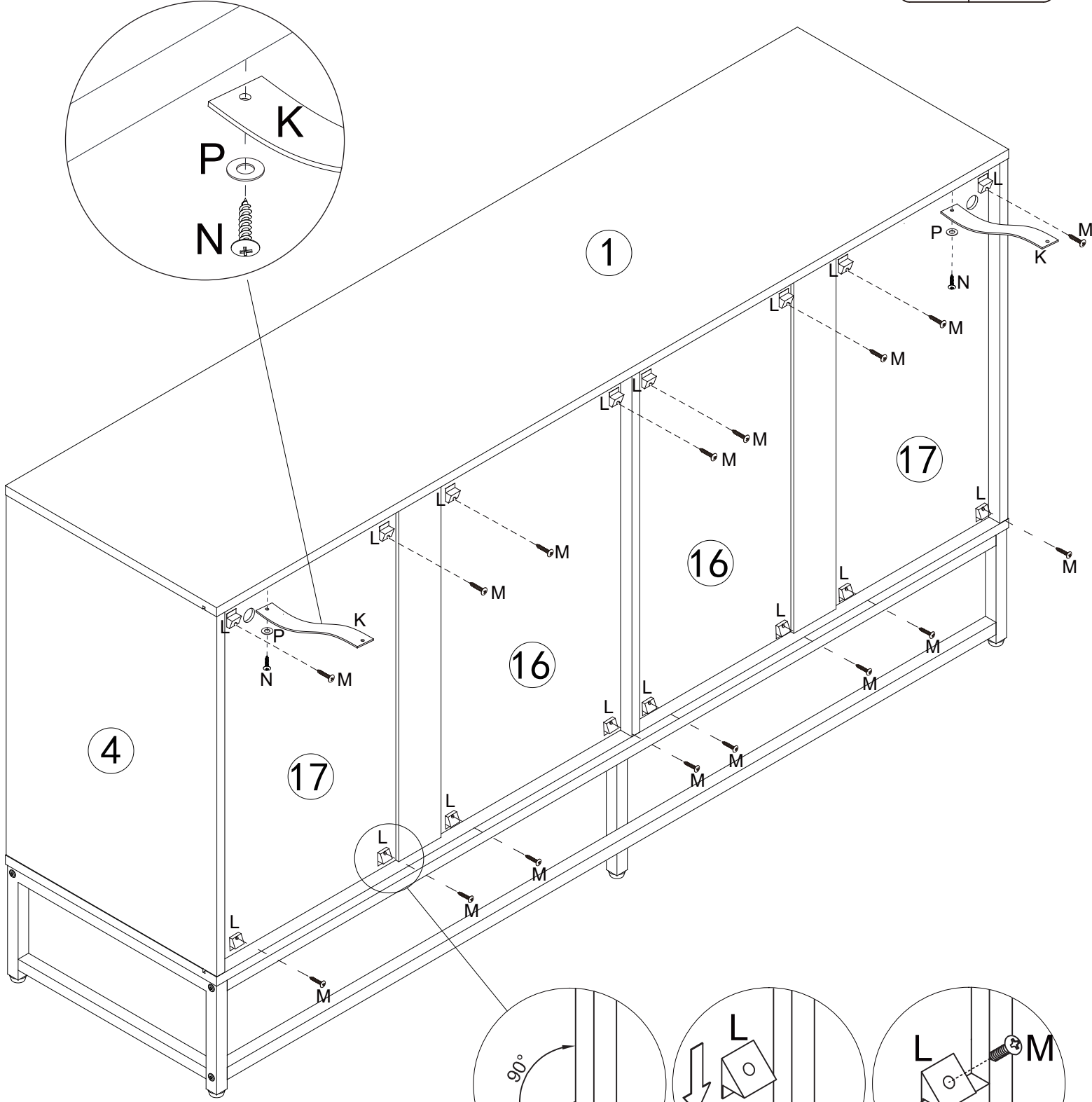
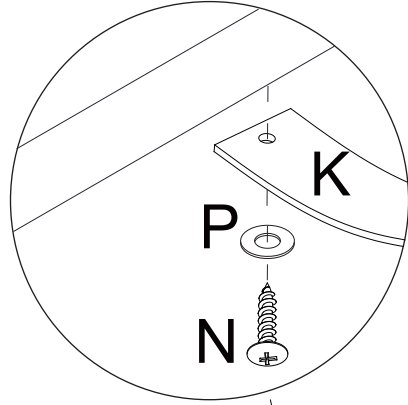
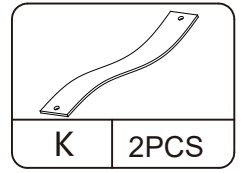
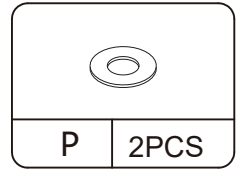
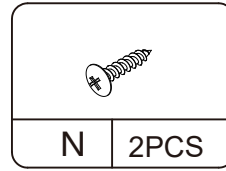
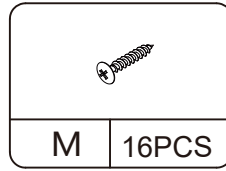
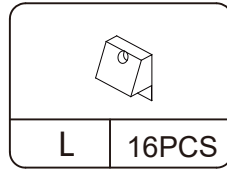
	
E	16PCS



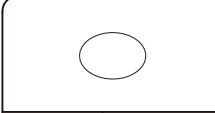
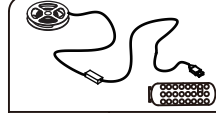
Step 13

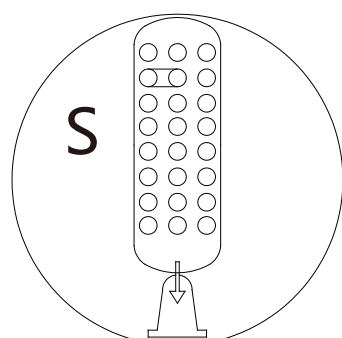
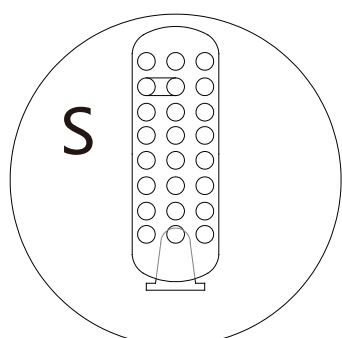
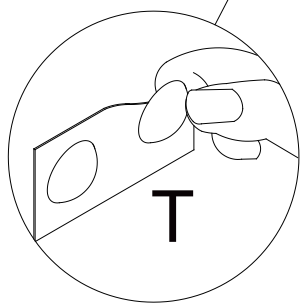
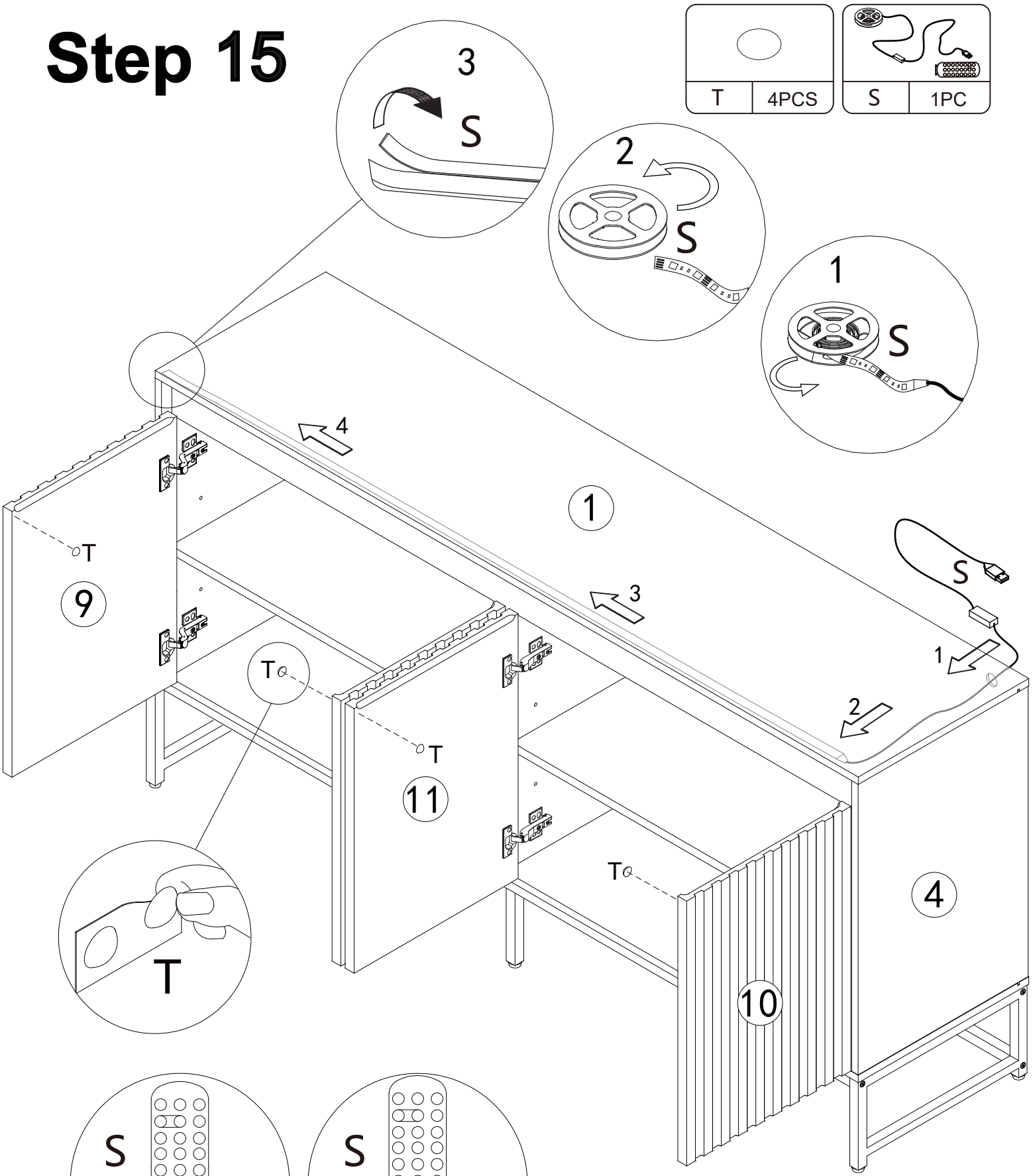
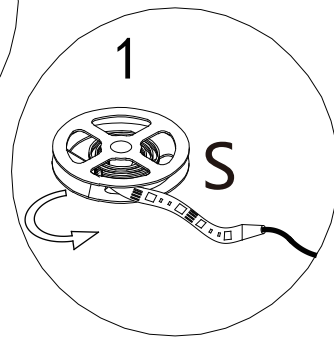
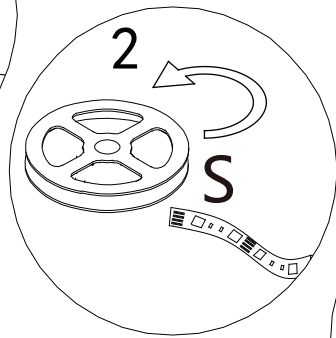
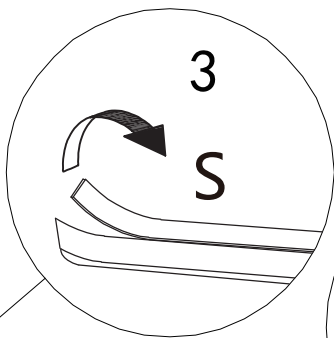


Step 14

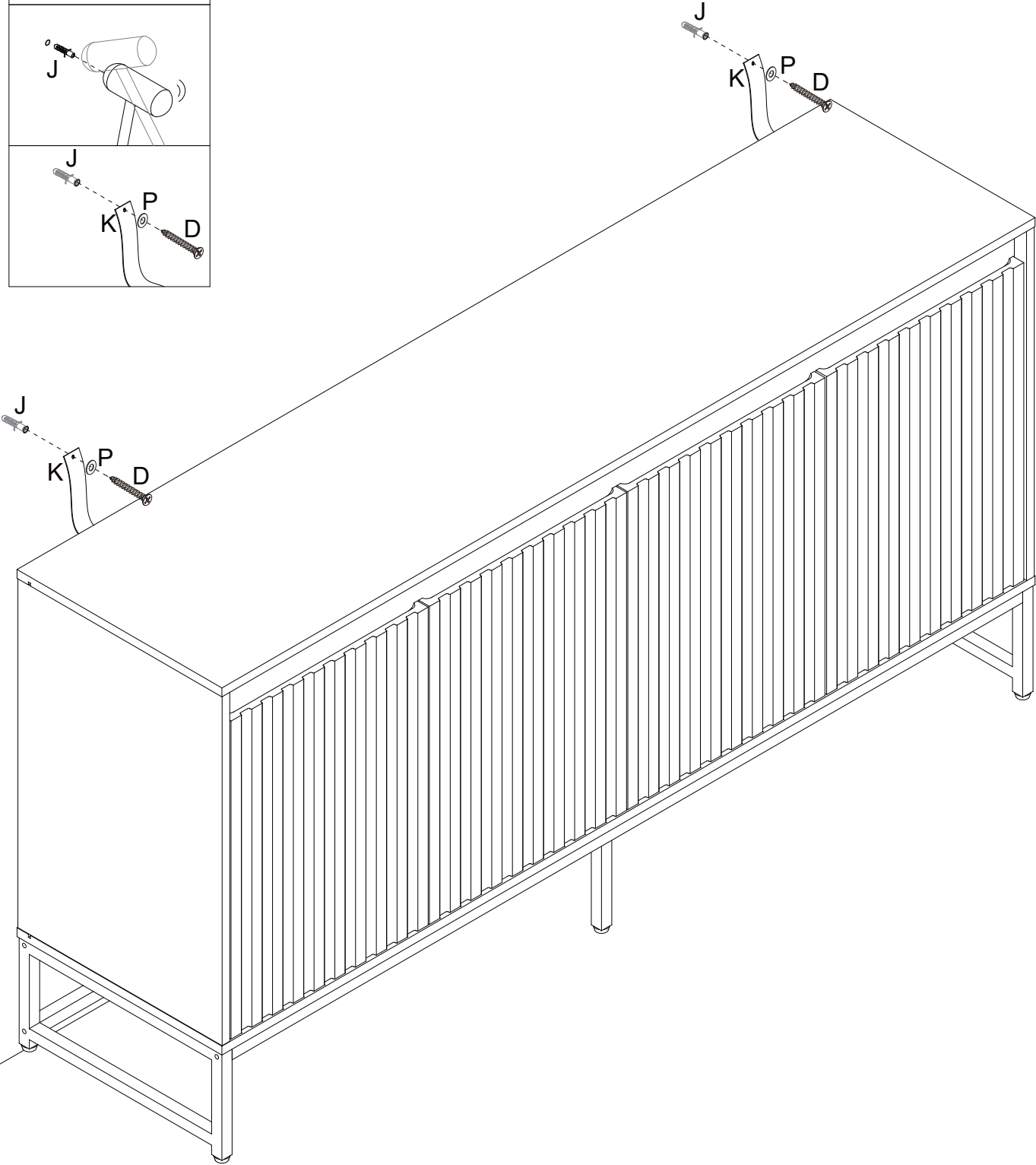
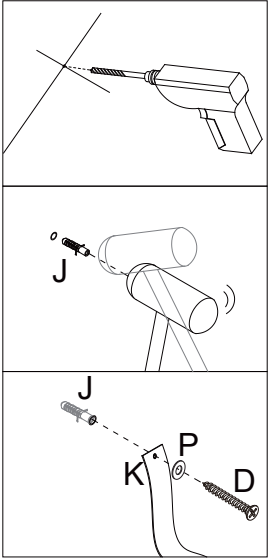
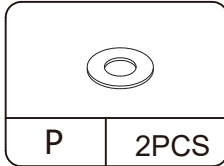
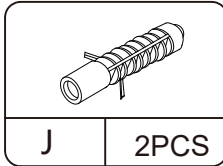
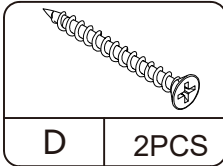


Step 15

	
T	4PCS
S	1PC



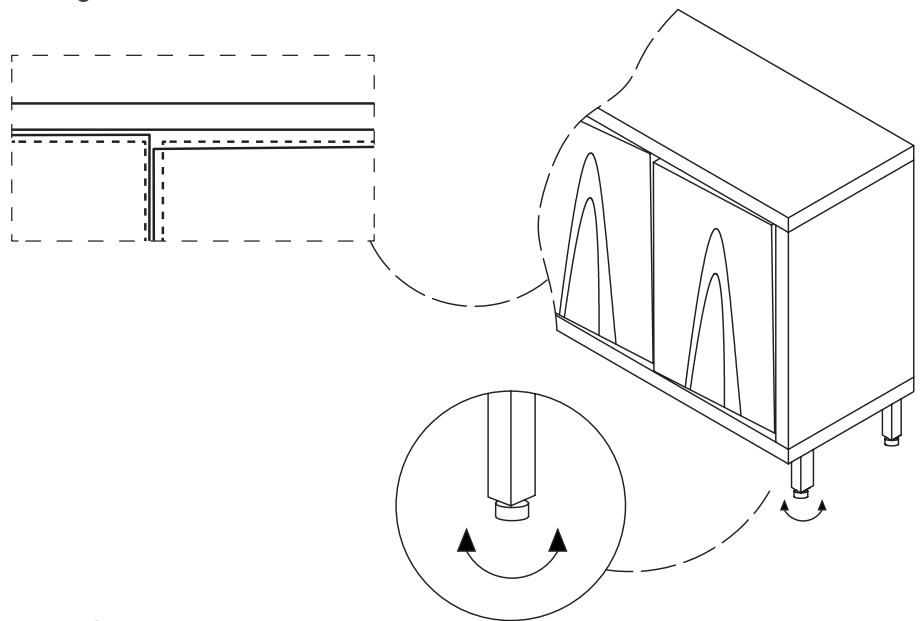
Step 16



Is your cabinet door looking crooked or unevenly spaced? (Cont.)

If you're still having trouble lining everything up, your next step should be to try to adjust the feet slightly to square up the cabinet & doors. Follow the illustrations below:

If the right door appears to be hanging low, you can adjust the adjustable leveler on the front right until the door is better aligned.



If the left door appears to be hanging low, you can adjust the adjustable leveler on the front left until the door is better aligned.

