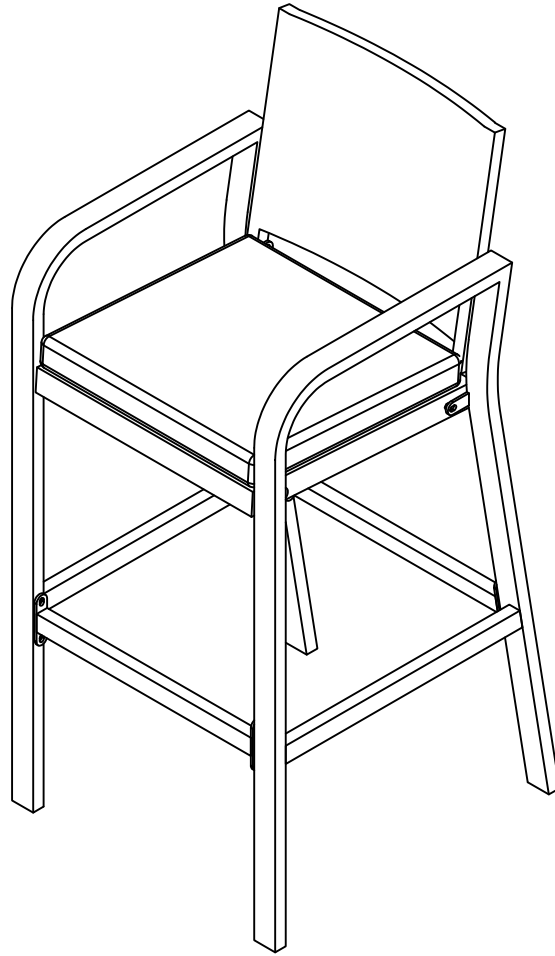


# RATTAN BAR CHAIR



## ATTENTION Section:

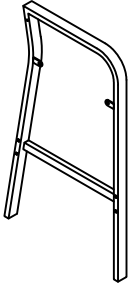
1. If you encounter any issues, such as missing accessories or damaged parts, please contact us immediately and include pictures

## Assembly Instructions:

1. Assembly requires two people to complete.
2. For optimal assembly, we highly recommend using the provided Allen key.  
If using a power tool, please set it to a low speed to prevent any damage
3. Do not fully tighten the screws until all screws are properly aligned with their holes.

# PARTS LIST OF BOX

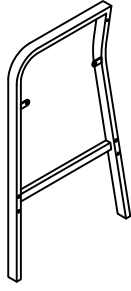
A



LEFT

2pcs

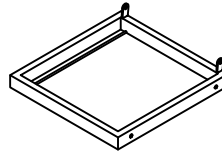
B



RIGHT

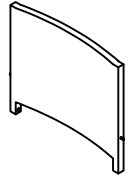
2pcs

C



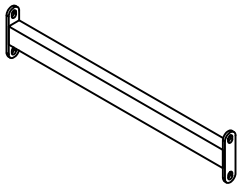
2pcs

D



2pcs

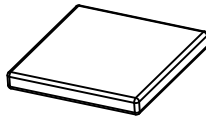
E



STAINLESS  
STEEL

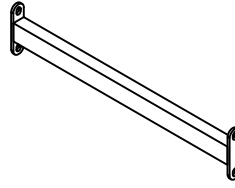
2pcs

F



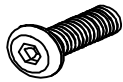
2pcs

G



2pcs

①



M6\*25

28pcs

②



M6

28pcs

③

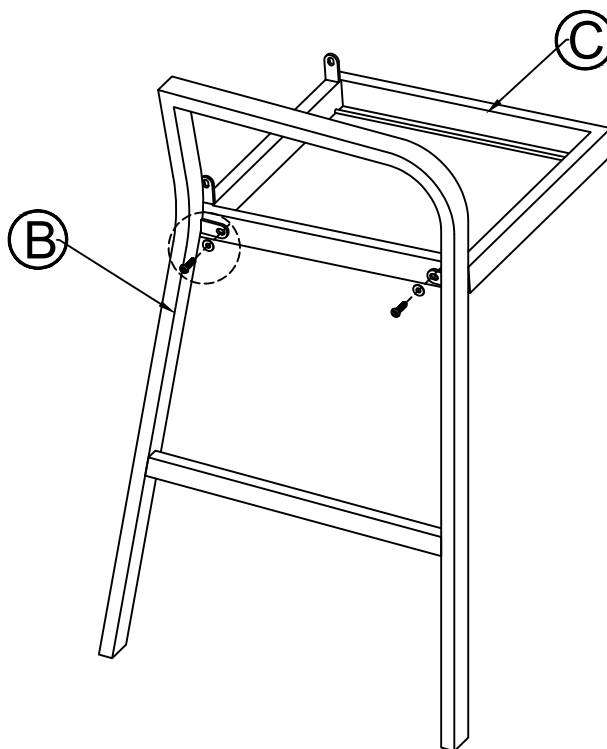
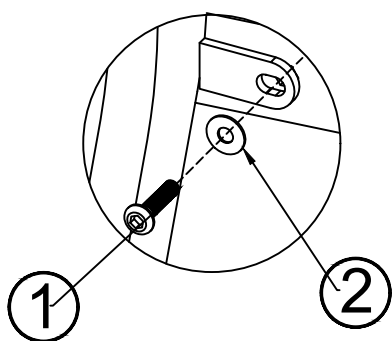



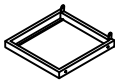



M6

2pcs

STEP 1

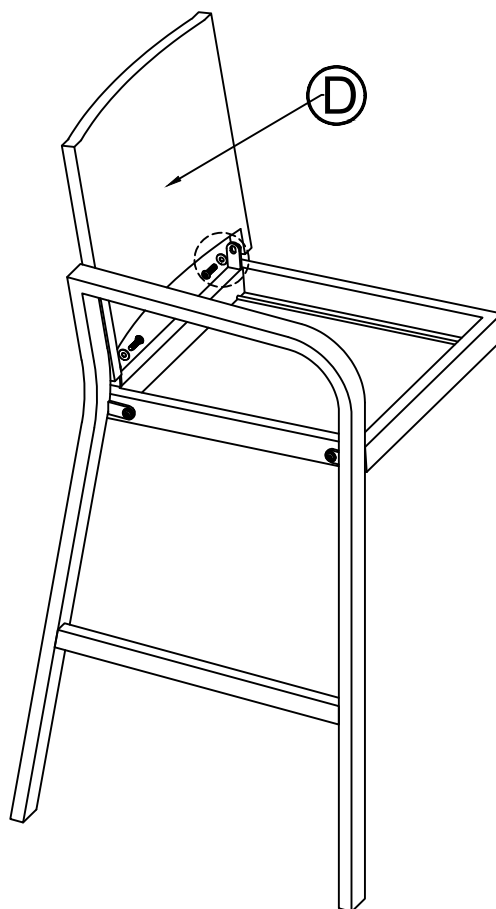
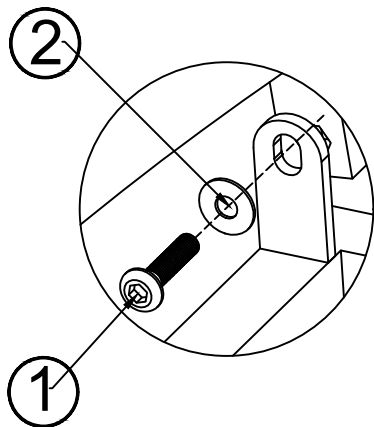
x2

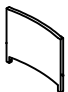





B	1pc	C	1pc	①	2pcs	②	2pcs	③	1pc
					M6*25		M6		M6

STEP 2

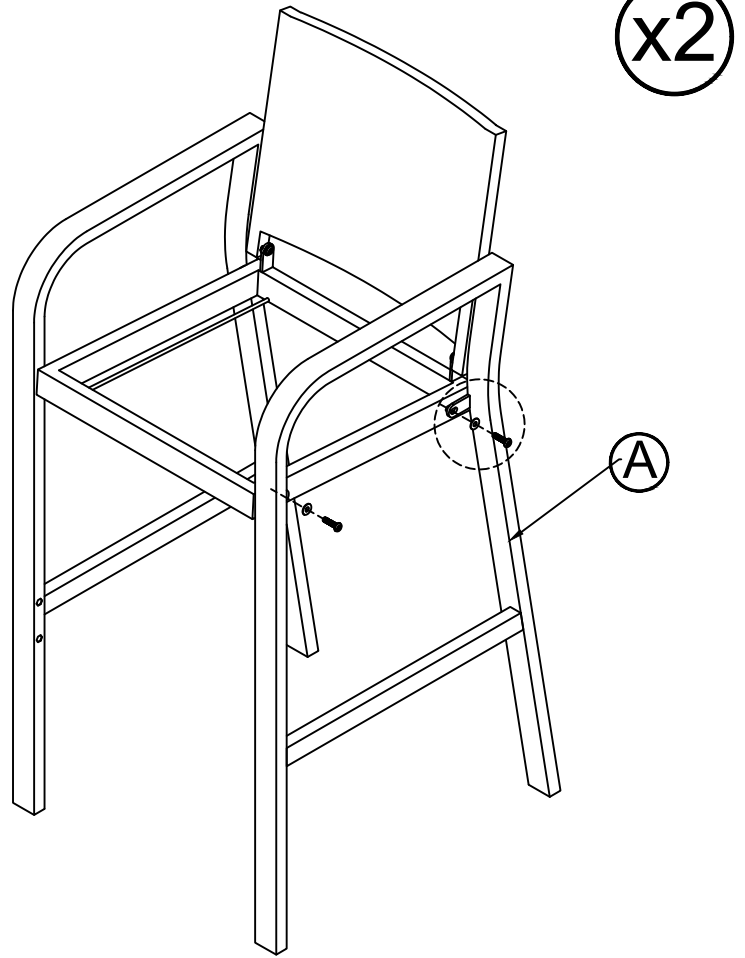
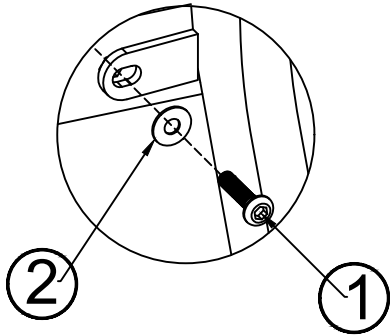
x2







D	1pc	①	2pcs	②	2pcs	③	1pc
			M6*25		M6		M6

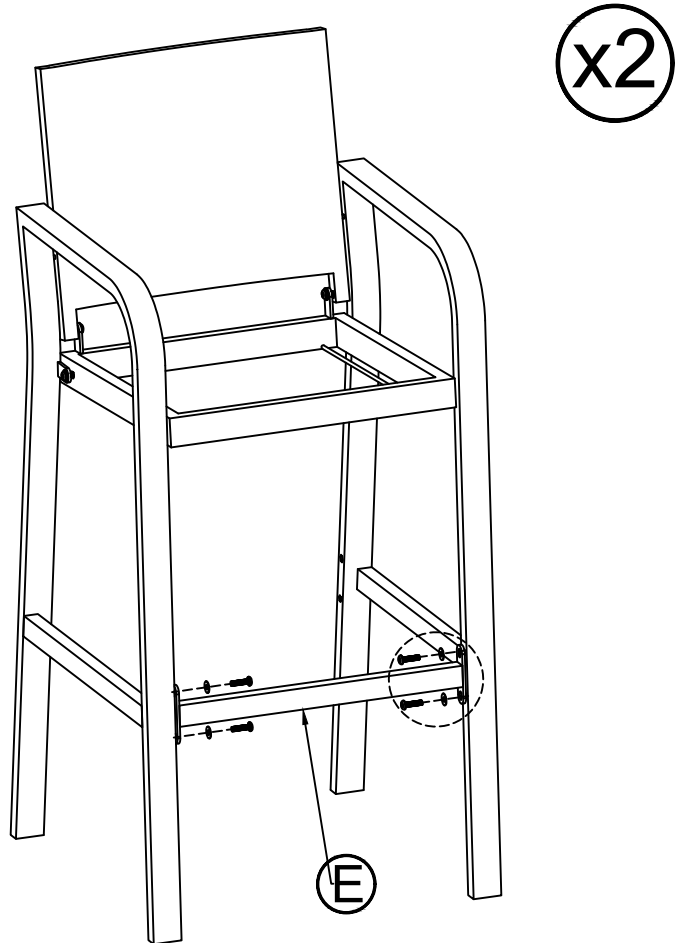
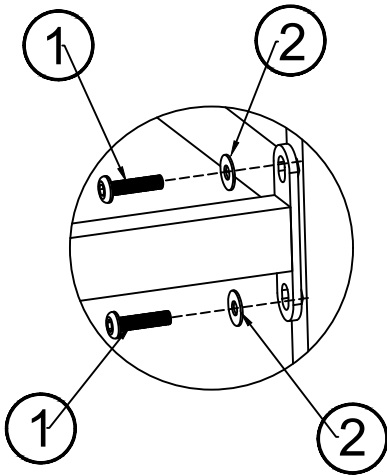
Do not fully tighten all screws until assembly is completed.

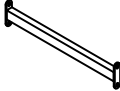



STEP 3



A	1pc	①	2pcs	②	2pcs	③	1pc
							
		M6*25		M6		M6	

STEP 4

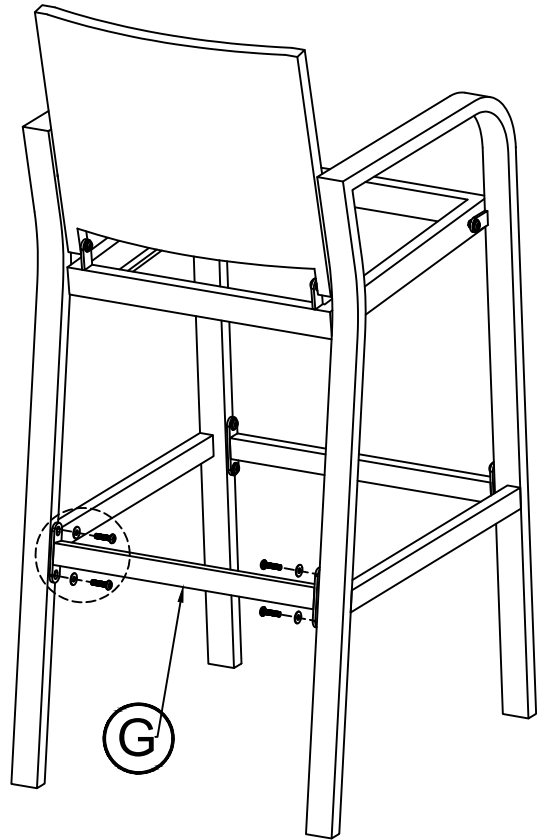
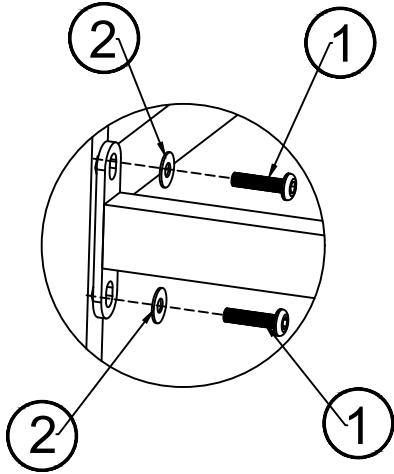


E	1pc	①	4pcs	②	4pcs	③	1pc
							
		M6*25		M6		M6	

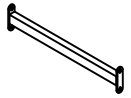
Do not fully tighten all screws until assembly is completed.

STEP 5

x2



G	1pc	①	4pcs	②	4pcs	③	1pc
---	-----	---	------	---	------	---	-----



M6\*25



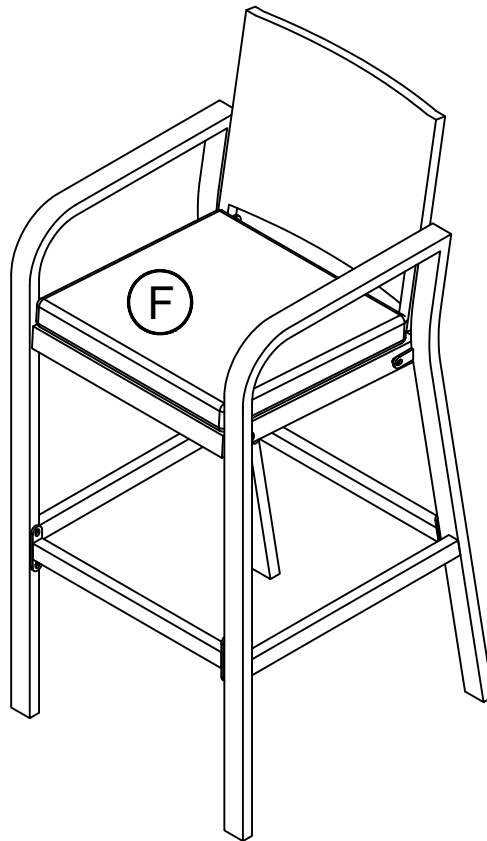
M6



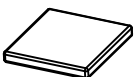
M6

STEP 6

x2



F	1pc
---	-----



Do not fully tighten all screws until assembly is completed.