

Assembly Instructions

Before beginning the assembly process, please read and save these instructions for reference. Following these guidelines will ensure a smooth and successful assembly of your product.

1. Part Identification:

Carefully separate and identify all the parts included in your package. Confirm that you have all the components listed in the instruction manual. This step will help you avoid any missing or misplaced parts during assembly.

2. Work Surface:

To prevent any scratches or damage to the product, assemble it on a soft mat or a similar protective surface. This will provide a cushioned area for the components and protect the surfaces from unwanted marks.

3. Step-by-Step Assembly:

Follow the assembly instructions provided, proceeding one step at a time. Take care to understand each step properly before proceeding to the next one. This sequential approach ensures that the assembly is done correctly and minimizes the chance of errors.

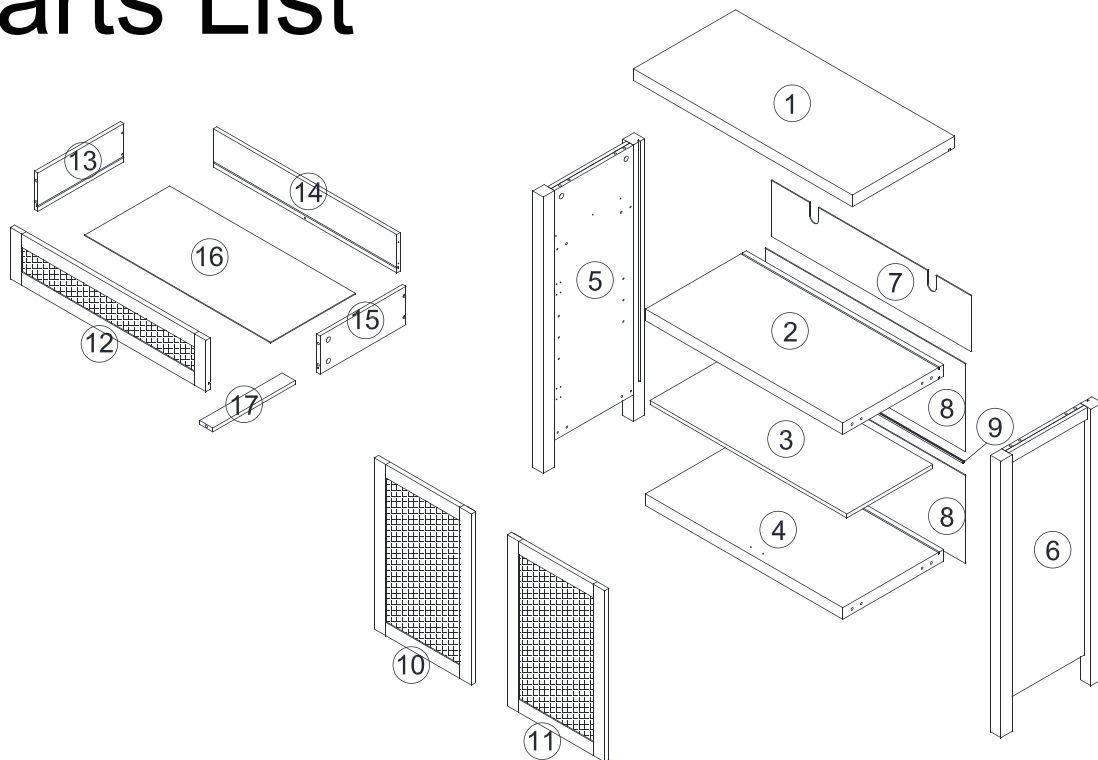
4. Proper Screw Seating:

When attaching screws and nuts, it is essential not to fully tighten them until all screws are correctly seated. By partially tightening each screw and nut initially, you can ensure that they are aligned properly and fit securely before final tightening.





















5. Avoid Over-Tightening:

While each screw and nut should be tightened correctly, it is crucial not to over-tighten them. Over-tightening can cause damage to the product or compromise its structural integrity. Use the appropriate amount of force to secure the components without excessive tightening.

Parts List



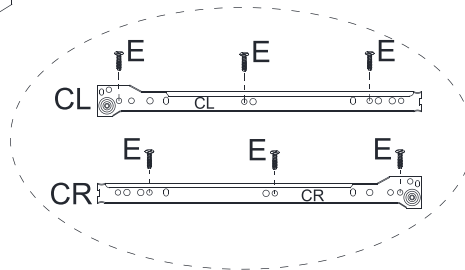
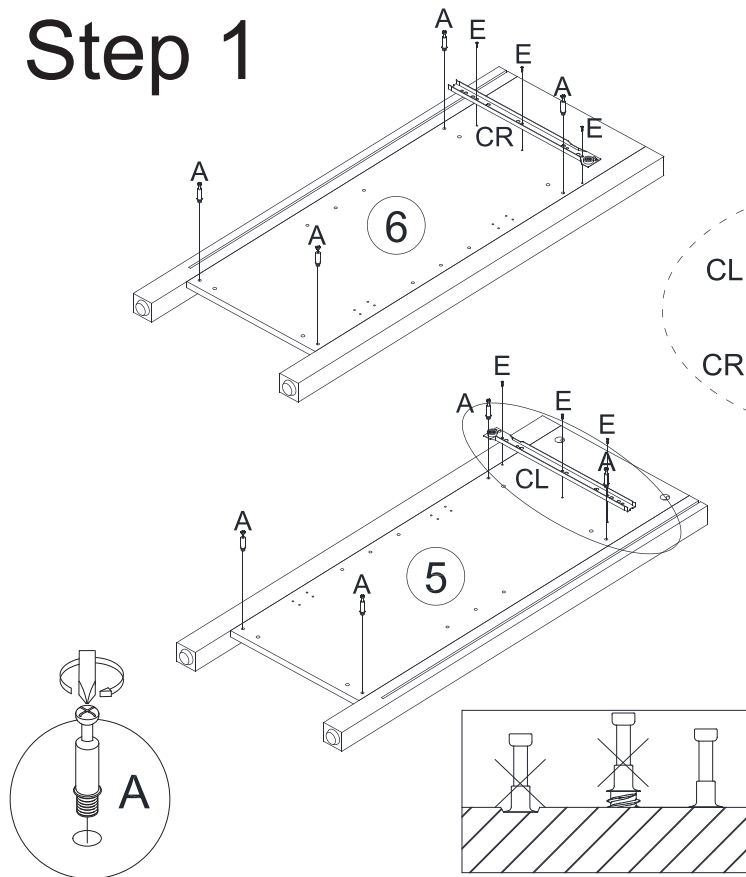
Hardware List


A x17  Ø6x35	B x17  Ø15x12	C x12  Ø6x30	D x7  Ø6xM4x35	E x22  Ø6.5xM3x12	F x2 	G x2  Ø9xM4x12	H x2 	I x19  Ø6.5xM3x16	J x4 
K x3 	L x24  Ø7.5xM3.5x14	M x4 	N x4  Ø26	O x15 	P x2 	CL x1  300MM	CR x1  300MM	DL x1  300MM	DR x1  300MM


Code	Description	Quantity
A	Cam bolt	17
B	Cam lock	17
C	Wooden dowel	12
D	M4x35MM Screw	7
E	M3x12MM Screw	22
F	Anti falling iron sheet	2
G	M4x12MM Screw	2
H	Magnet	2
I	M3x16MM Screw	19
J	Shelf support	4
K	Handle	3

Code	Description	Quantity
L	M3.5x14MM Screw	24
M	Magnet plate	4
N	Hinge	4
O	Back clip	15
P	Plastic anchor	2
CL	300mm Drawer runner set	1
CR	300mm Drawer runner set	1
DL	300mm Drawer runner set	1
DR	300mm Drawer runner set	1

Step 1



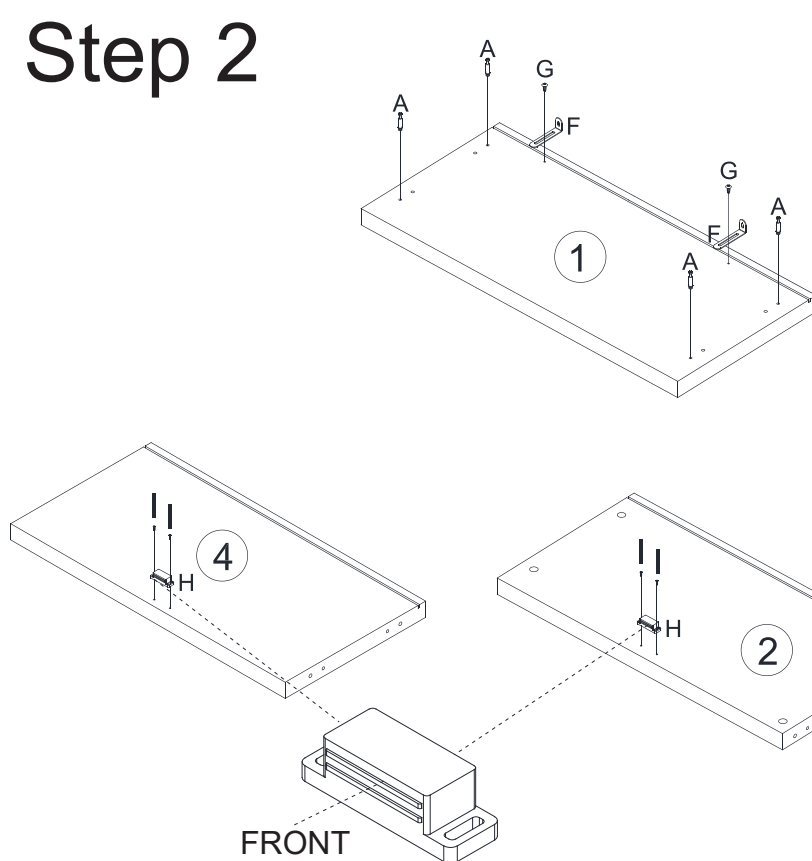
CR  X 1

CL  X 1

E  X 6

A  X 8

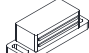
Step 2



G  X 2

F  X 2

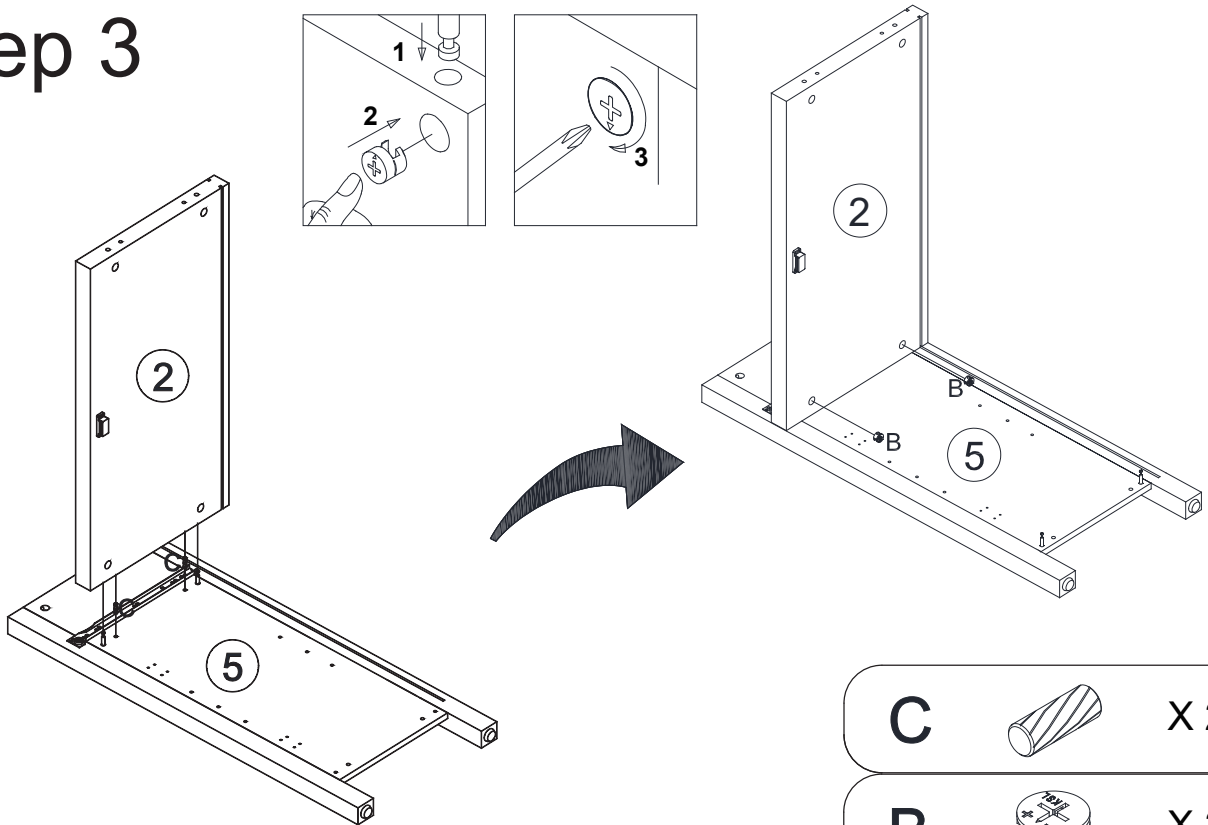
I  X 4

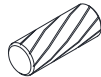
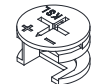
H  X 2

A  X 4

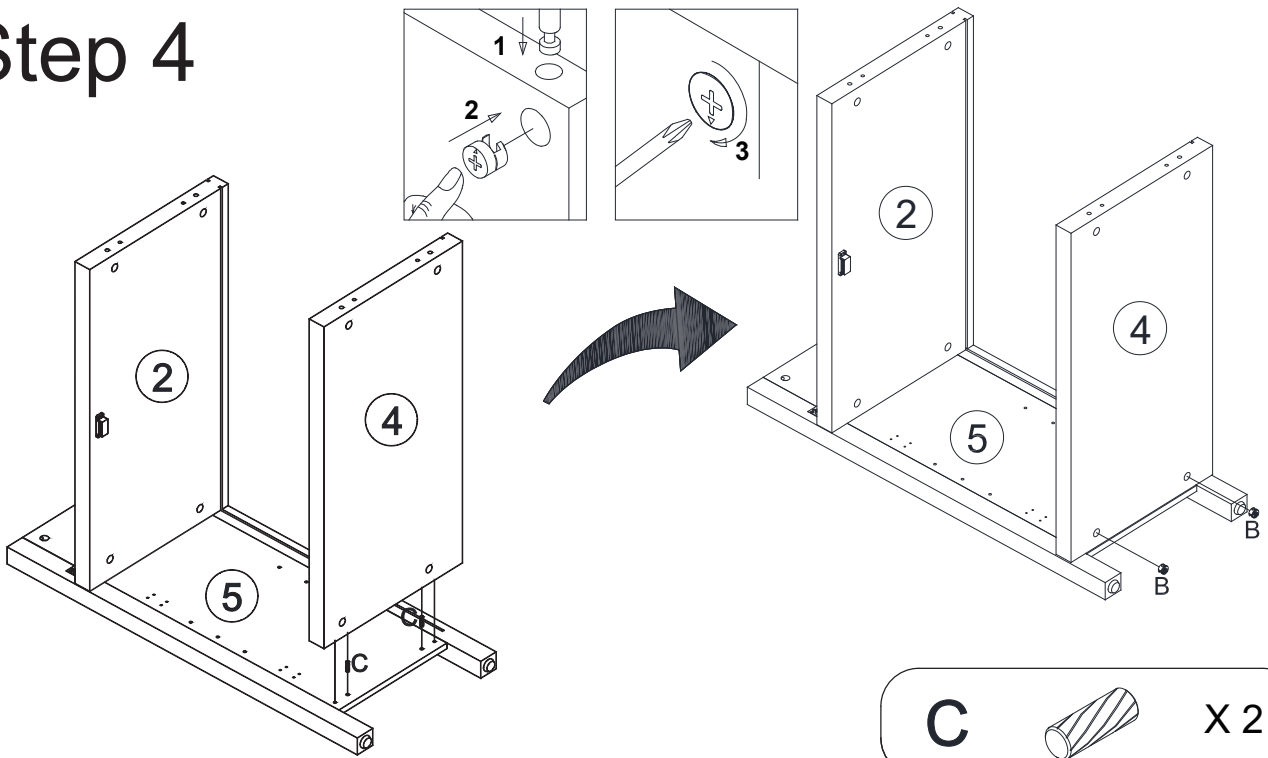
FRONT

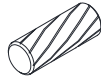
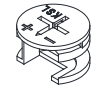
Step 3



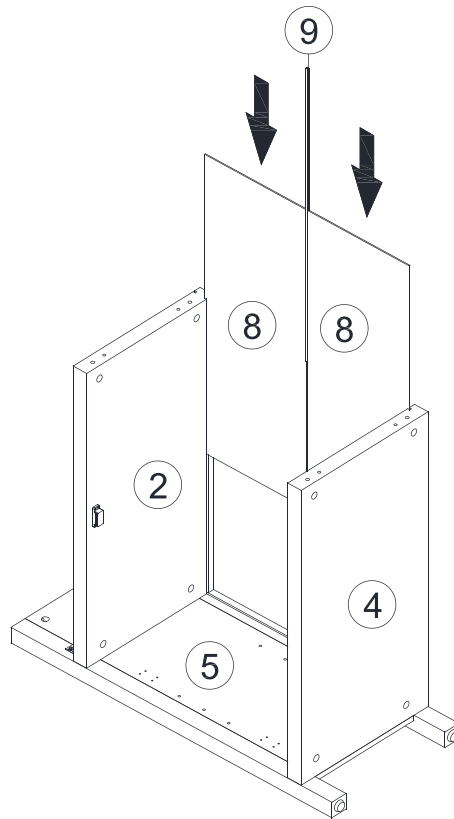
- C**  X 2
- B**  X 2

Step 4

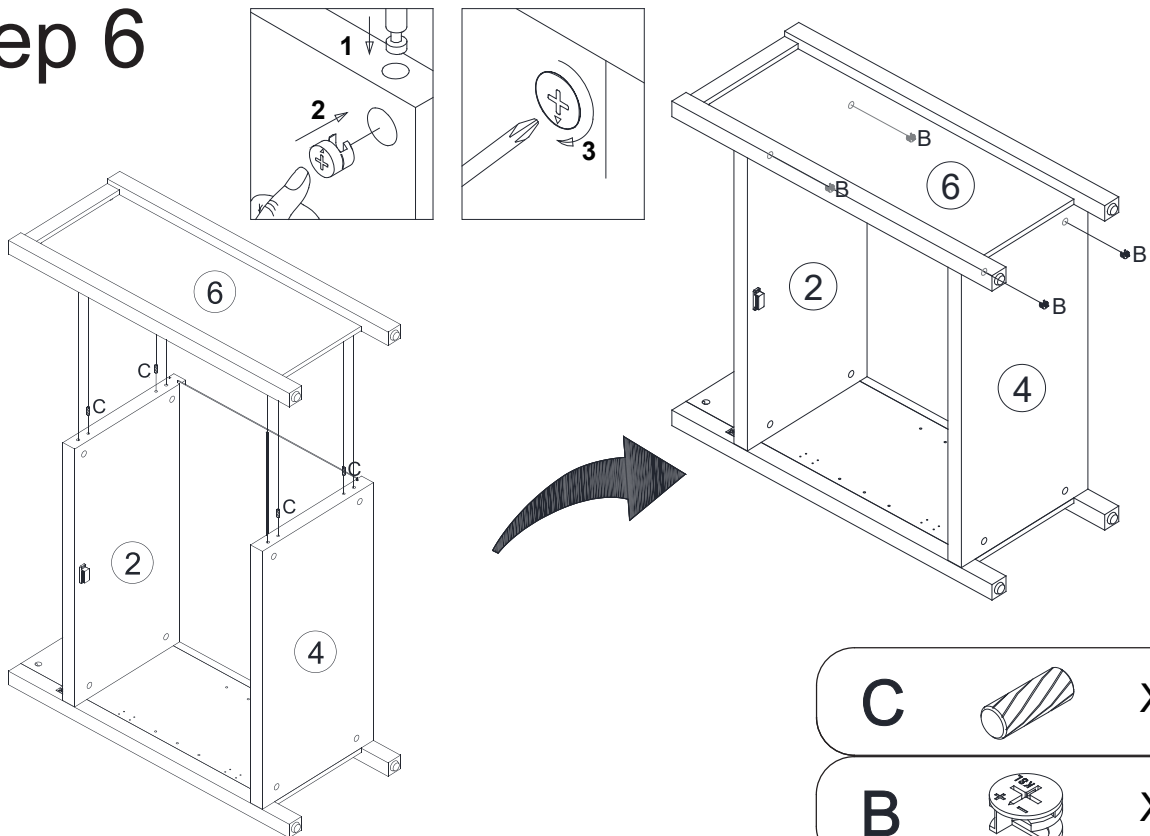


- C**  X 2
- B**  X 2

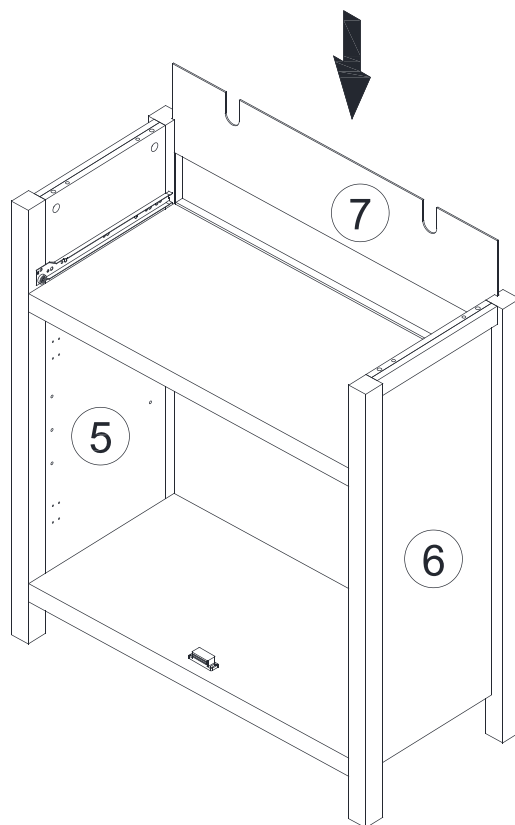
Step 5



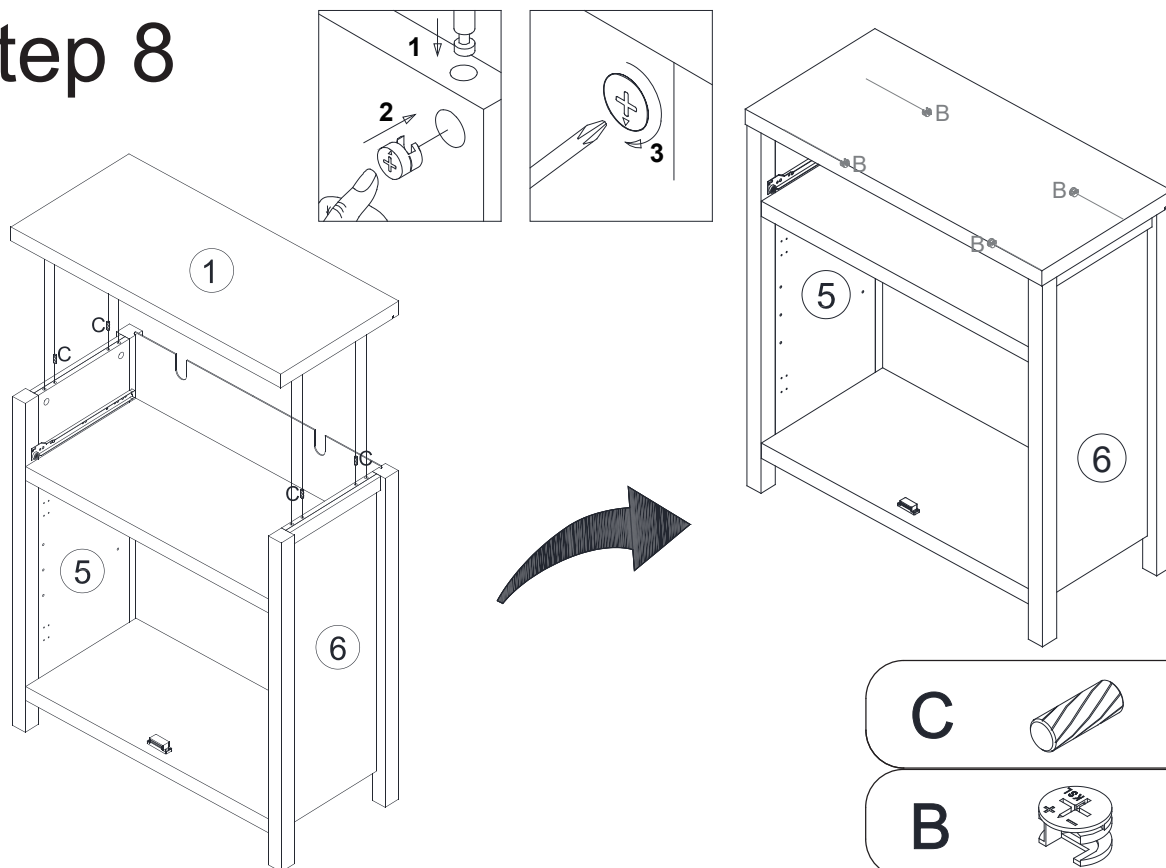
Step 6



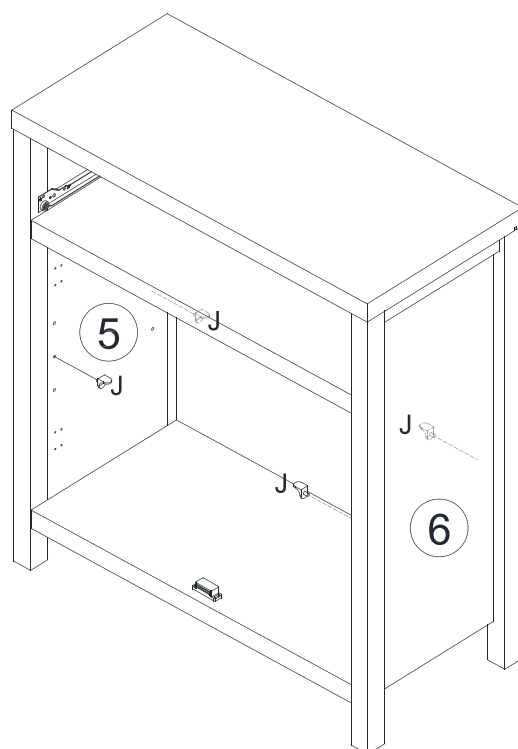
Step 7



Step 8



Step 9

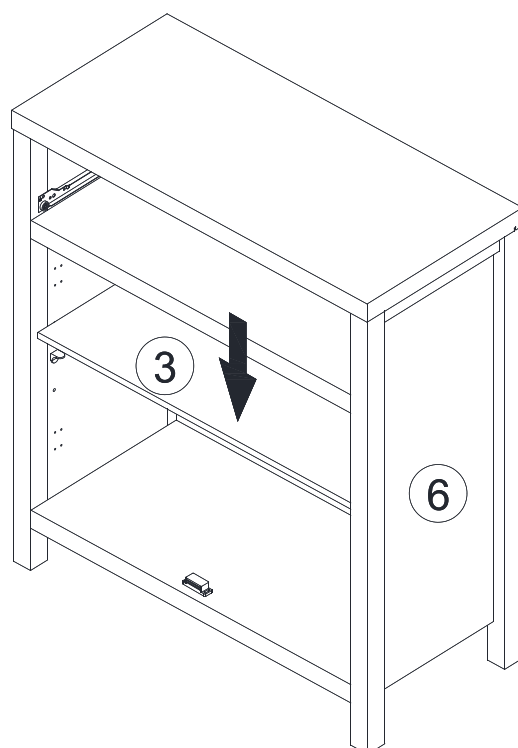


J

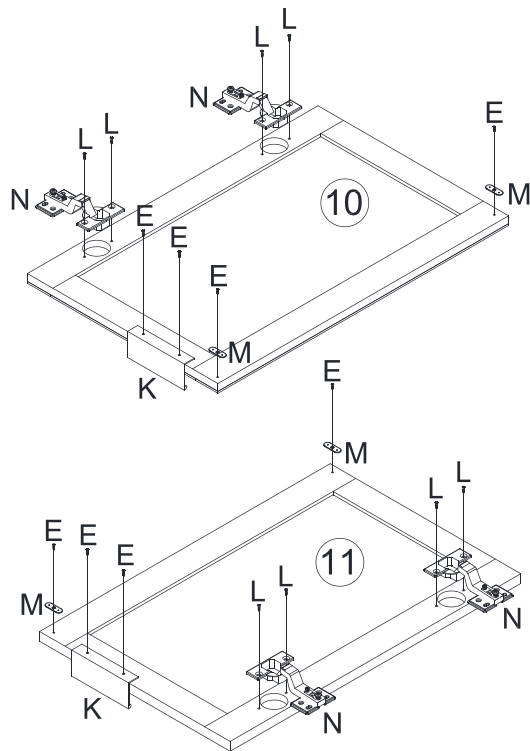


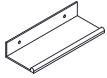

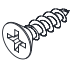

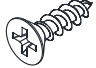
X 4

Step 10

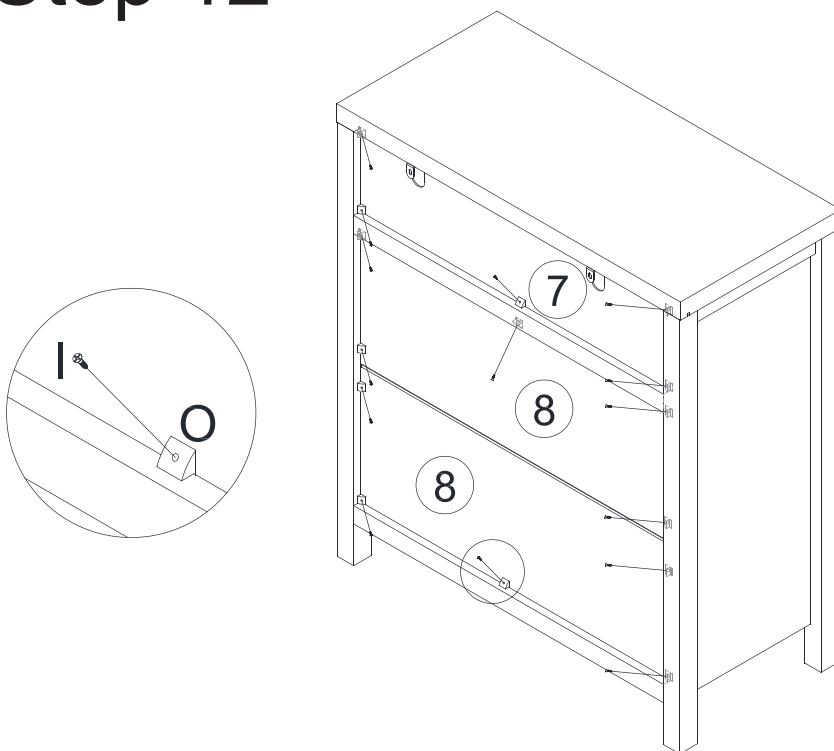


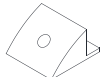
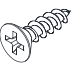
Step 11



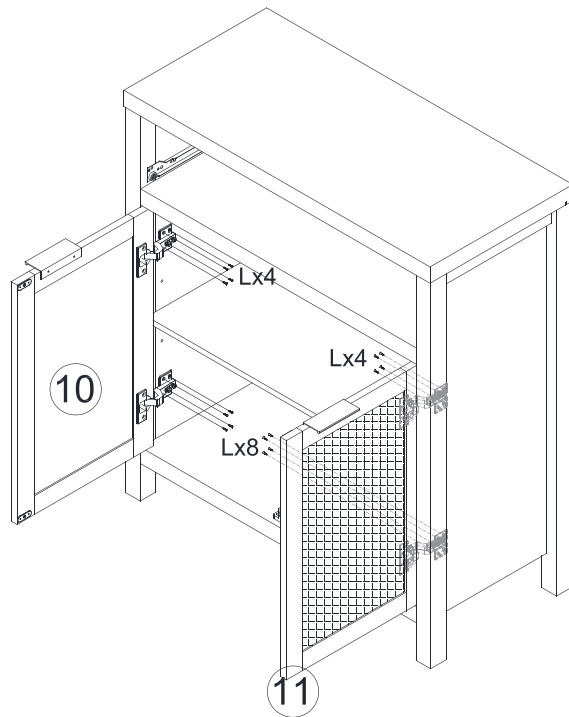
- K**  X 2
- N**  X 4
- E**  X 8
- M**  X 4
- L**  X 8

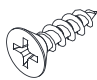
Step 12



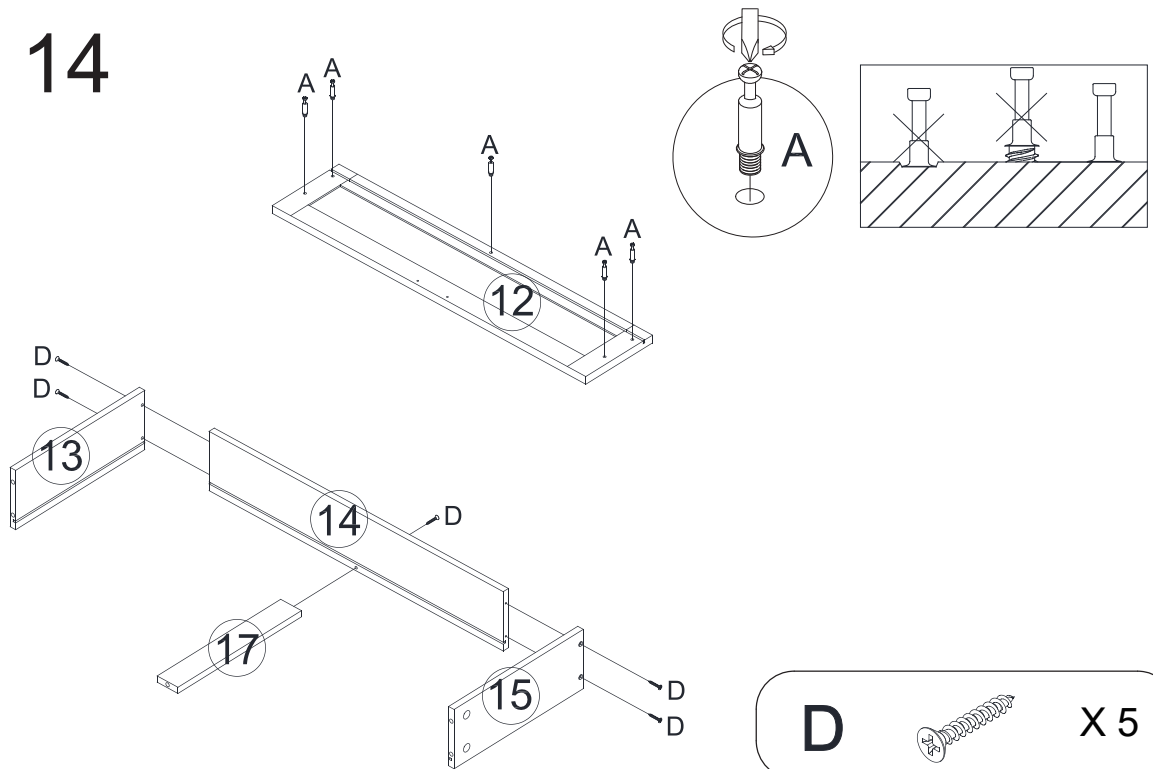
- O**  X 15
- I**  X 15

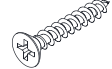
Step 13

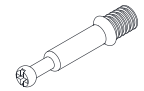


L  **X 16**

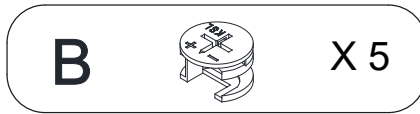
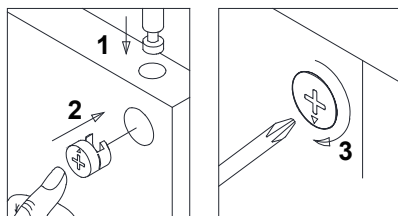
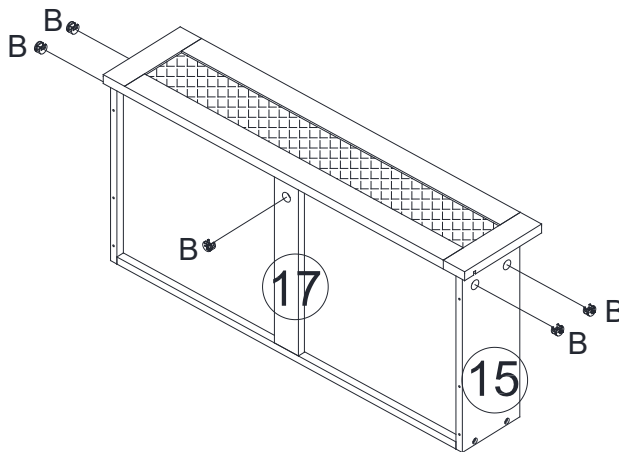
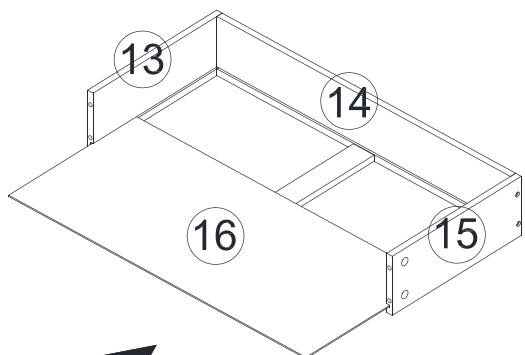
Step 14



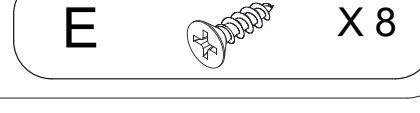
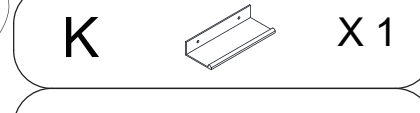
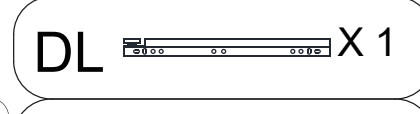
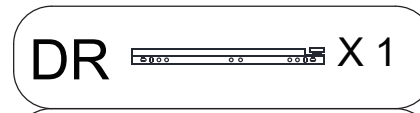
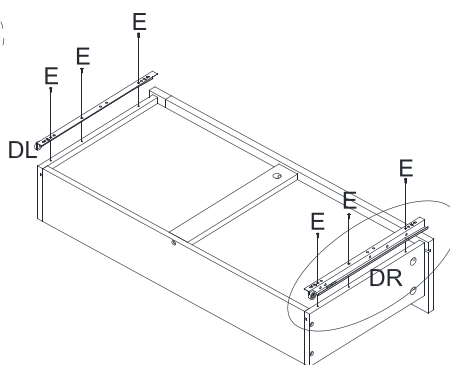
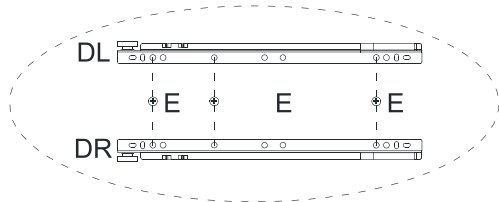
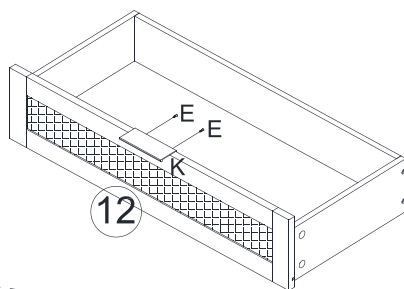
D  **X 5**

A  **X 5**

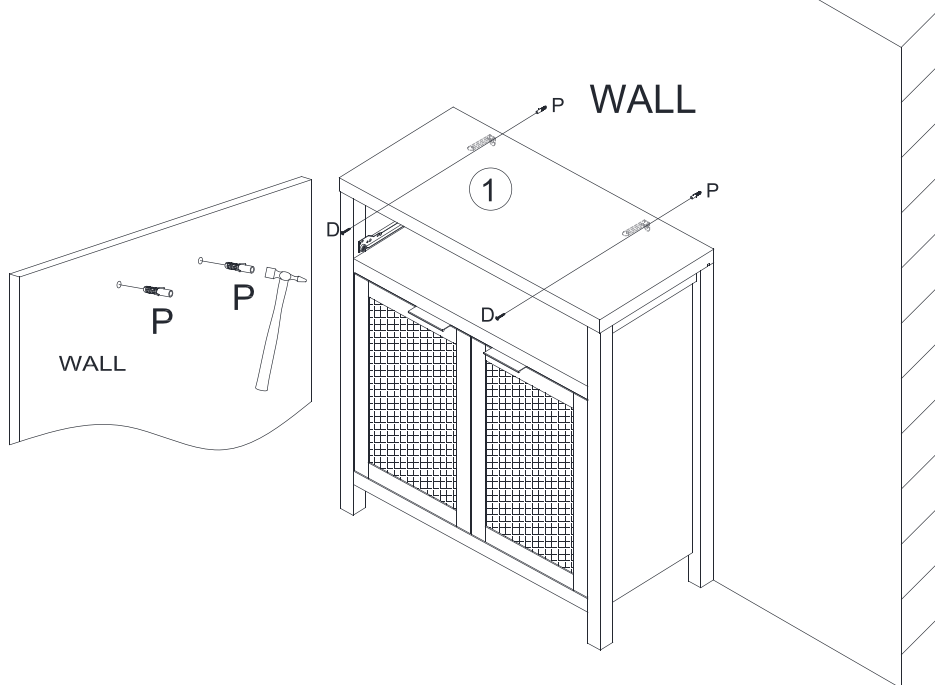
Step 15

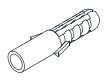
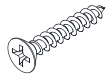


Step 16

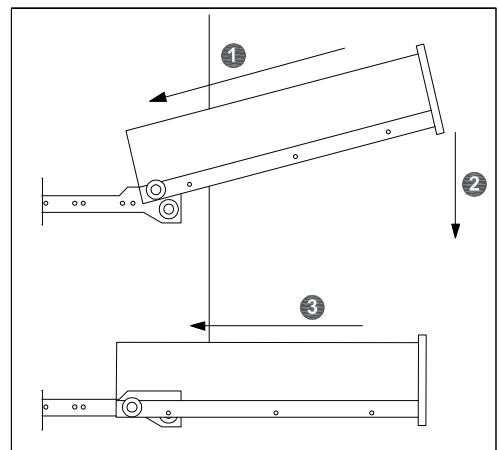
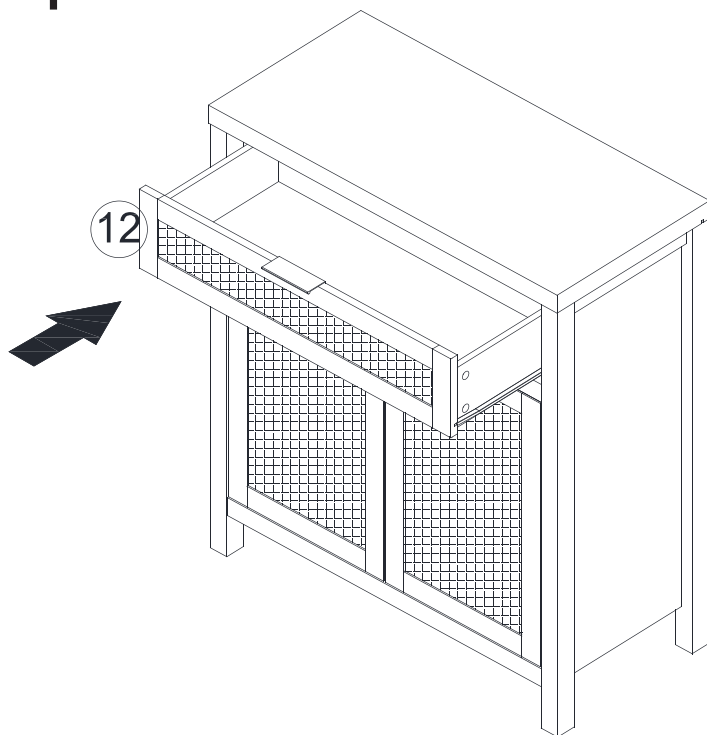


Step 17

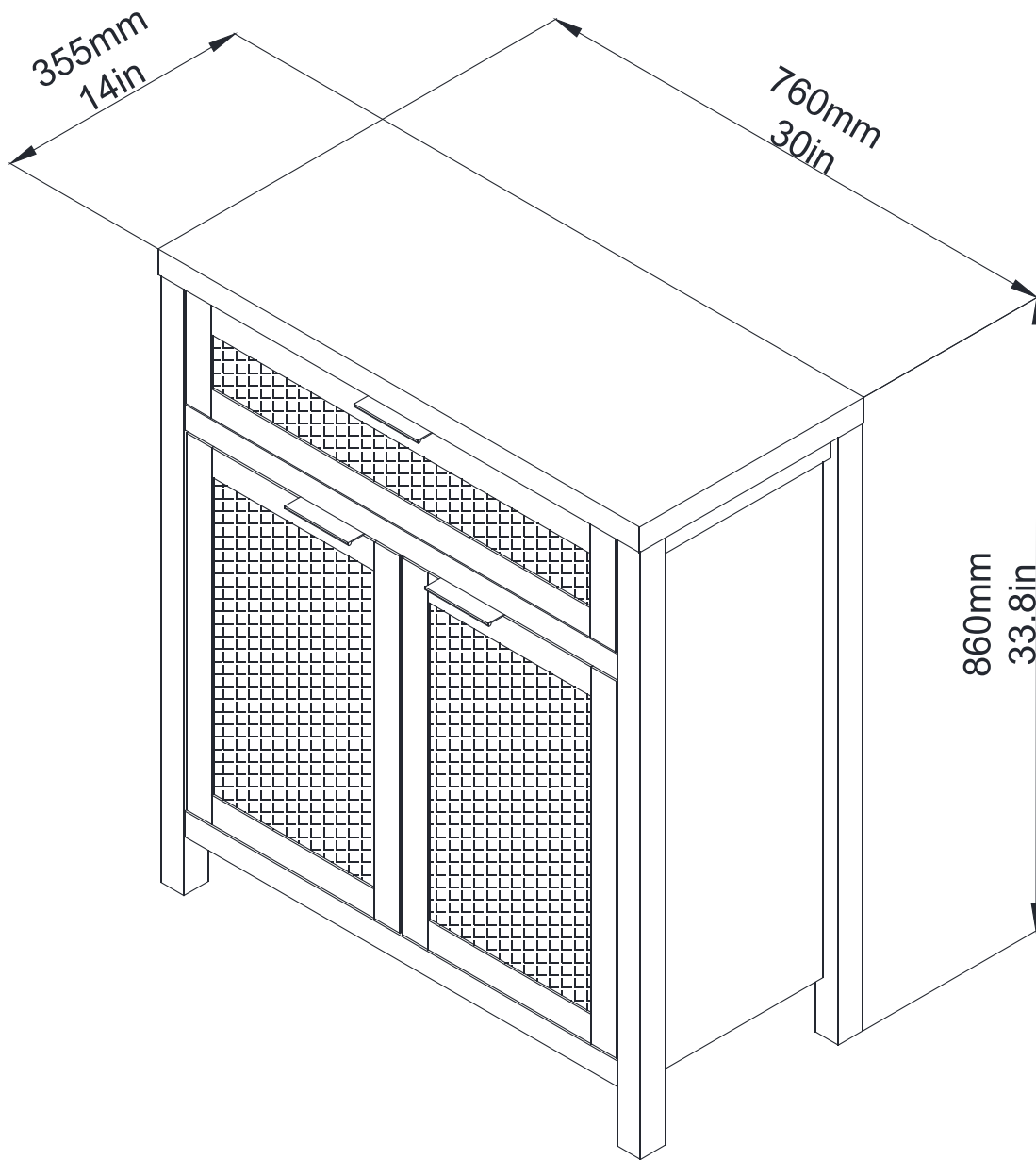


- P**  X 2
- D**  X 2

Step 18



Step 19

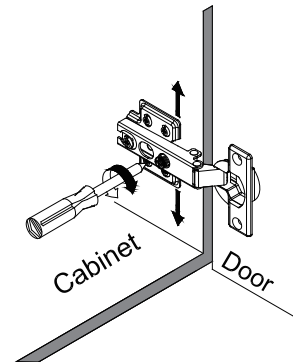
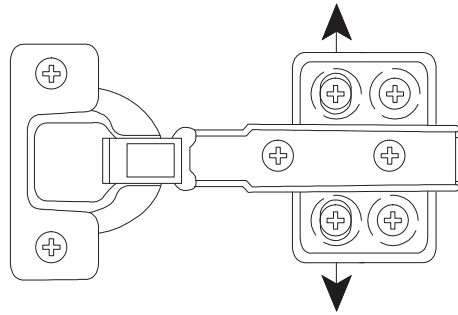
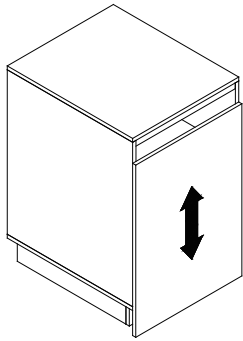


Final assmebly

Cabinet Door Adjustment Instructions

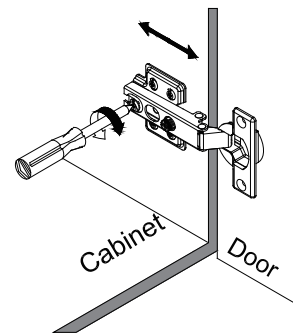
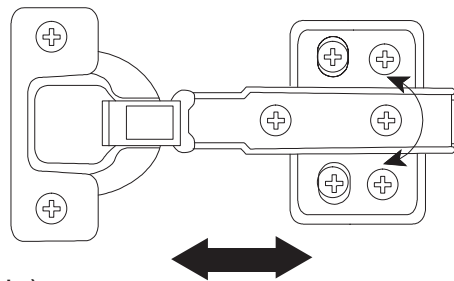
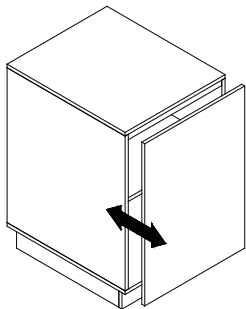
Height adjustment:

- Locate the height adjustment screws on the hinge.
- Use the Phillips screwdriver to either tighten or loosen the screws to raise or lower the cabinet door as desired.



Side-to-side adjustment:

- If the cabinet door needs to be moved closer to or away from the cabinet frame, locate the side-to-side adjustment screws on the hinge.
- Use the Phillips screwdriver to adjust these screws and gradually move the door in the desired direction.



Depth adjustment (if applicable):

- Check if the cabinet door needs to be brought closer to or further away from the cabinet frame.
- For-depth adjustment, locate the depth adjustment screws on the hinge.
- Use the Phillips screwdriver to turn these screws clockwise or counterclockwise accordingly.

