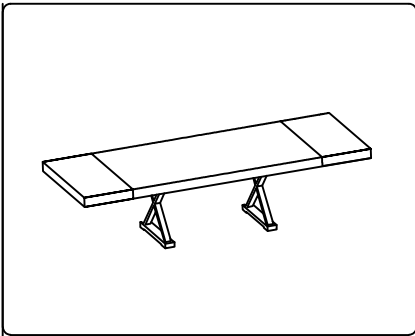
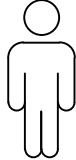


ASSEMBLY INSTRUCTIONS



+ Do Not Use Power Tools **+ Suggested Adults**



NOTE:

- 1 Read instructions cover.
- 2 Save all packaging until assembly is completed.

1 IMPORTANT SAFETY INFORMATION

Do not assemble the product if any of the following parts arrived damaged:

- Part # - Table Top (1 pc)
- Part # - Table Leaf (2 pcs)
- Part # - Table Leg (2 pcs)

2 IMPORTANT ASSEMBLY INFORMATION

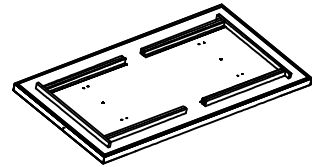
Assembly Step 1: Use ABCD to connect ③ to ①

Assembly Step 2: Use (E) and (F) to level ① and ②

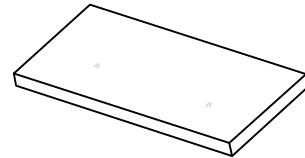
***Warning:** Do not over tighten screws, or it could damage the Table Top.

+ Parts Included

- ① Table Top
(1pc)



- ② Table Leaf
(2pcs)

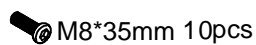


- ③ Table Leg
(2pcs)

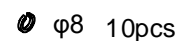


+ Hardware Included

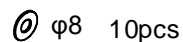
A Allen Bolt



B Spring Washer



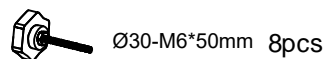
C Flat Washer



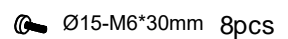
D Allen Wrench



E Adjustable Leveler



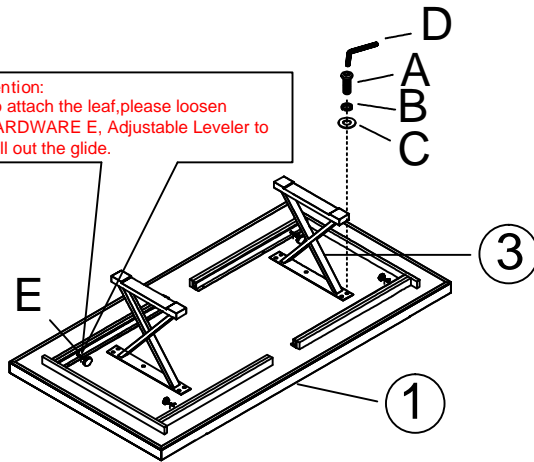
F Adjustable Leveler



ASSEMBLY INSTRUCTIONS

1

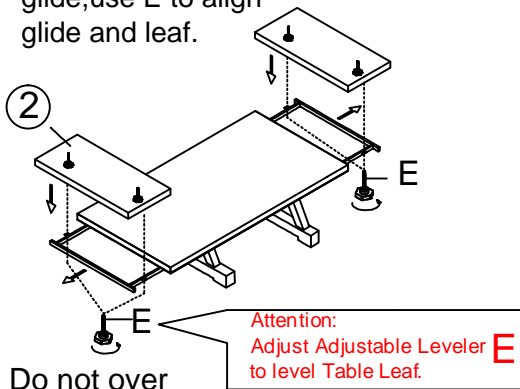
Attention:
To attach the leaf, please loosen
HARDWARE E, Adjustable Leveler to
pull out the glide.



Note: Do not over
tighten screws

2

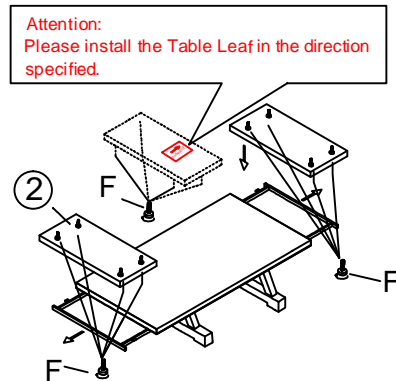
Take out glide, put leaf on the
glide, use E to align
glide and leaf.



Note: Do not over
tighten screws

3

Adjust F to make sure table top and
table leaf are same height, then tighten E.



4

