

About the Wood and Finish

This product has been carefully crafted of: MDF, solid pine wood and/or pine veneers. These materials derive from plantations, a renewable and well managed forest, therefore, not endangering the environment. The highest quality standards have been implemented to assure a sturdy and reliable product. Due to the natural variances in the

graining of wood, you may notice subtle differences in the shading and tone of the color stain, warp, holes, wood knots and also small cracks. This is not a defect.

But rather a result of the natural beauty of the wood itself.

AONLINE
FURNITURE

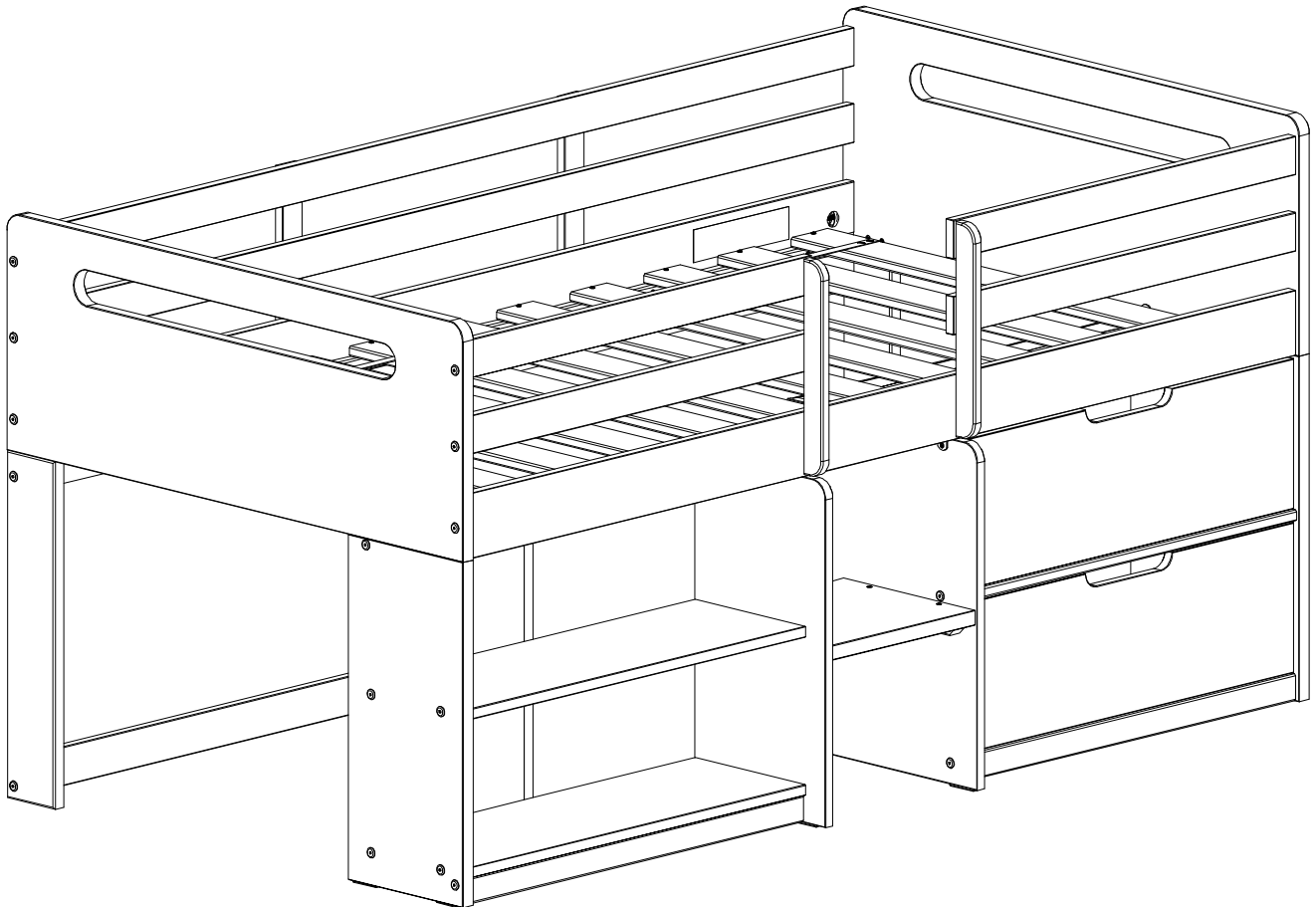
Care and

maintenance:

Dust when needed using a smooth, dry cloth.

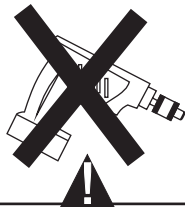
Household furniture polish can be used

occasionally to restore luster.

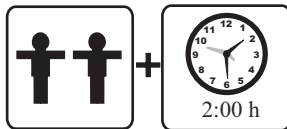


Thank you for purchasing this quality product. Be sure to check all packing material carefully for small parts which may have come loose inside the carton during shipment. Separate, identify and count all parts and hardware. Compare with the parts list to be sure all parts are present.

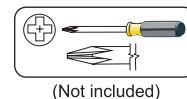
”DO NOT TIGHTEN SCREWS UNTIL COMPLETELY ASSEMBLED”



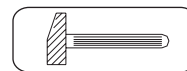
*Use of power tool to assemble this product will invalidate any claim and damage this product making unsafe!
*Please assemble on a clean soft surface to avoid damage.



Tools Required



(Not included)

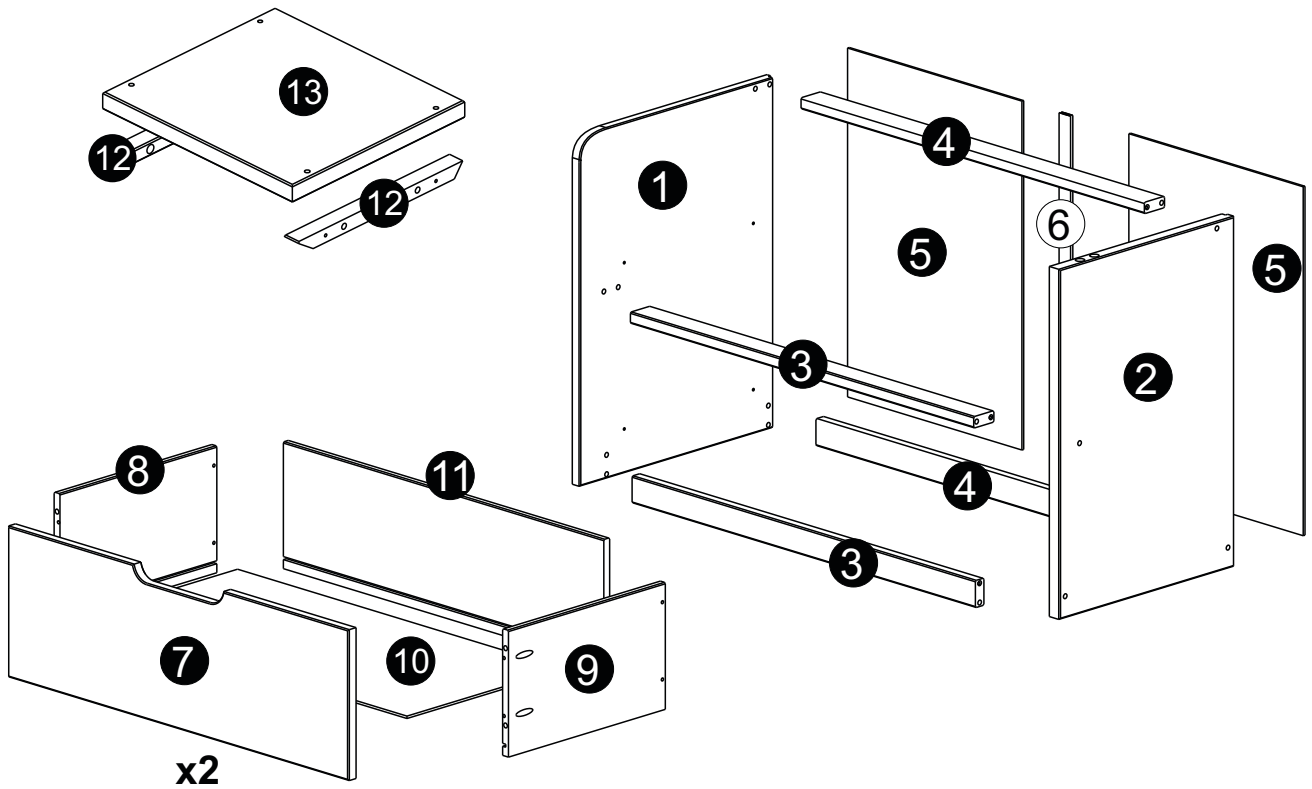


(Not included)

IMPORTANT:

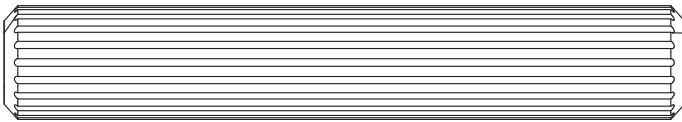
PLEASE READ INSTRUCTION BEFORE STARTING THE ASSEMBLY

Part List - BD01375 - 2 DRAWER CHEST LOFT BED



Identifying the Hardware - Identify the hardware using the illustrations below.

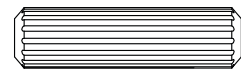
B



3 3/16" Wooden Dowel (15 x 90mm)

Qty
02

C



1 3/16" Wooden Dowel (8 x 30mm)

Qty
20

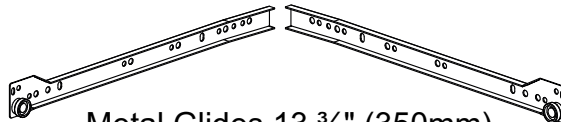
D



3/8" Screw (6 x 10mm)

Qty
16

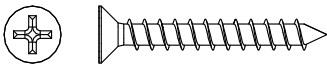
E



Metal Glides 13 3/4" (350mm)

Qty
02

F



1 3/16" Screw (4 x 30mm)

Qty
18

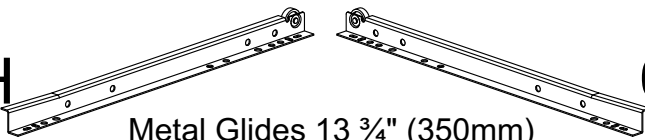
G



8 x 8

Qty
18

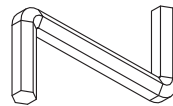
H



Metal Glides 13 3/4" (350mm)

Qty
02

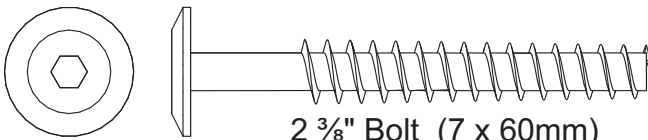
I



Allen wrench

Qty
01

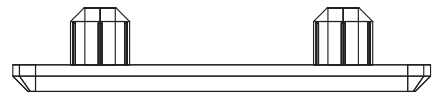
J



2 3/8" Bolt (7 x 60mm)

Qty
08

R



Plastic Foot

Qty
04



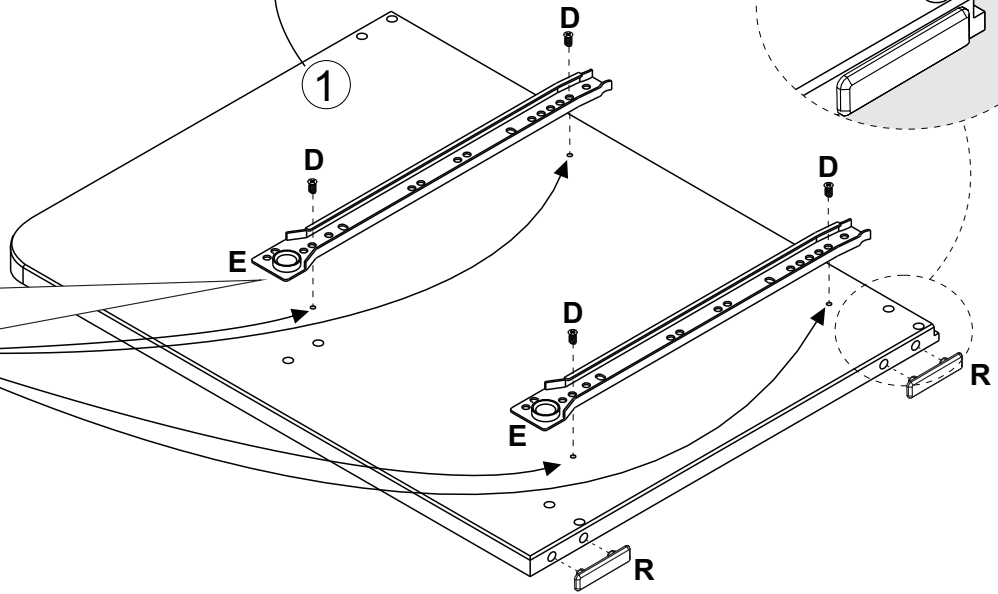
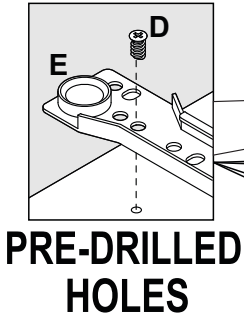
*Actual size of screws and bolts, for measurements checking.

02



Left side

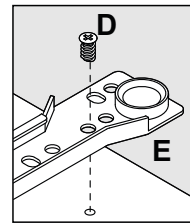
The wheel to the front!



Right side



(+)
SPACE (+)
TOP

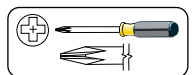
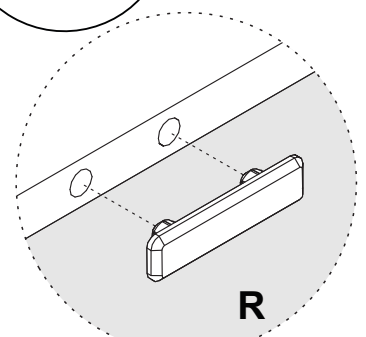
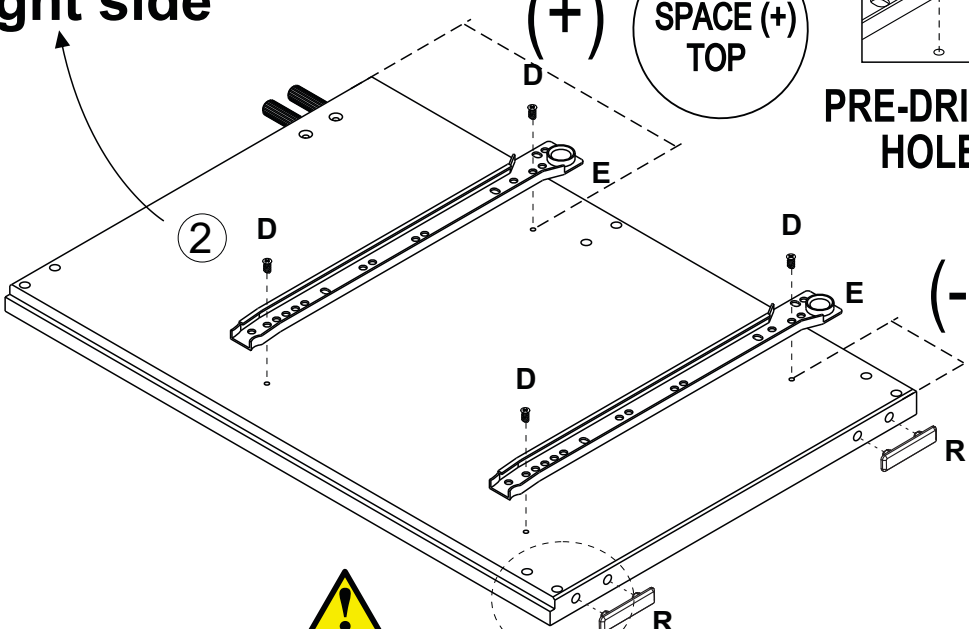


The wheel to the front!

PRE-DRILLED HOLES



(-)
SPACE (-)
BOTTOM

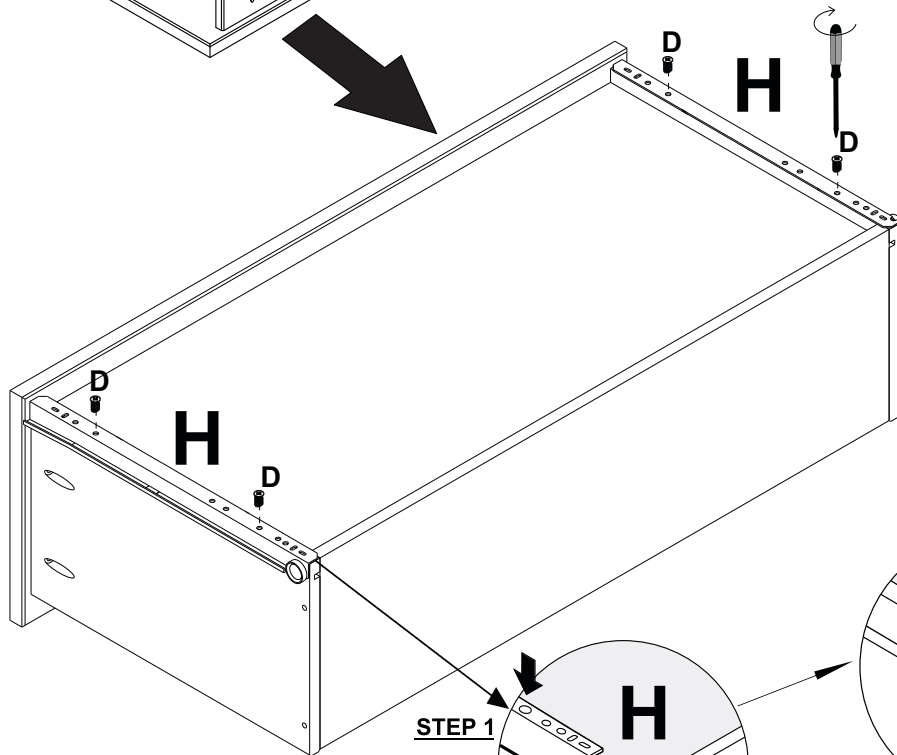
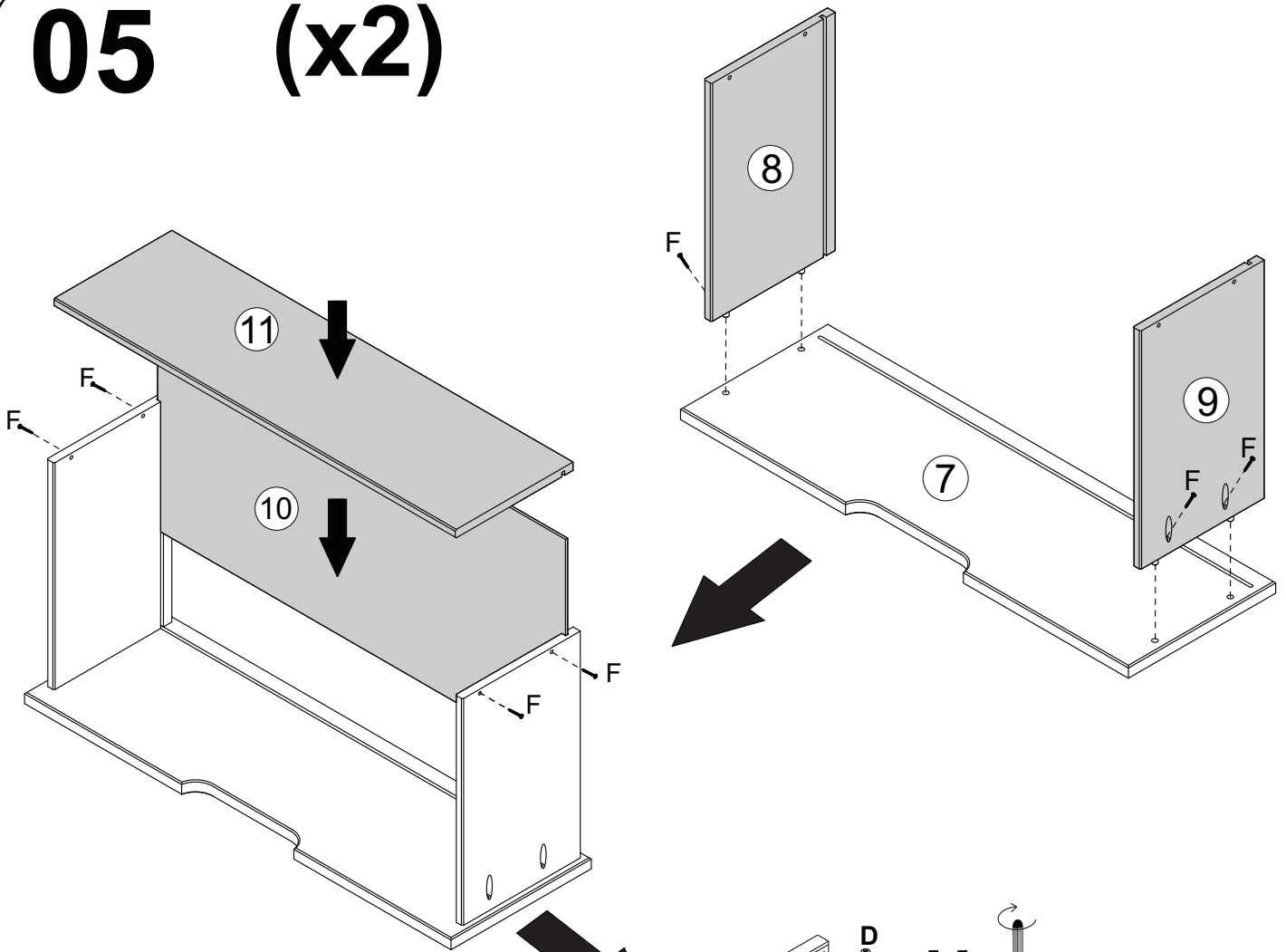


D Qty 08
3/8" Screw

E Qty 02
Metal Glides 13 3/4"

R Qty 04
Plastic Foot

05 (x2)





STEP 2


STEP 1

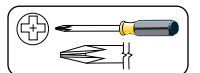

PRE-DRILLED HOLES


The wheel to the back !

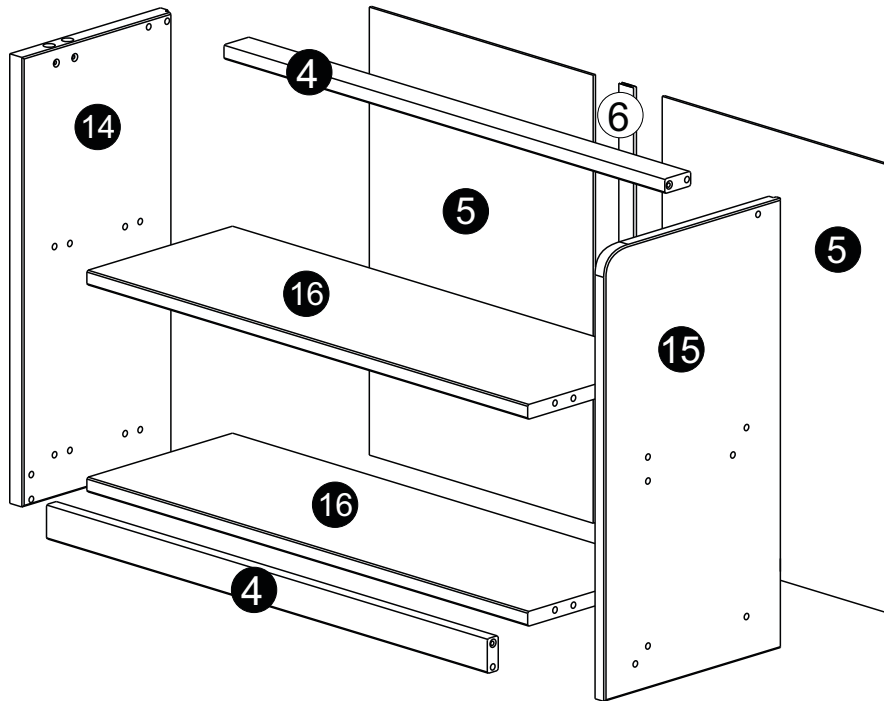
D  **Qty 08**
3/8" Screw

F  **Qty 16**
1 3/16" Screw

H  **Qty 02**
Metal Glides 13 3/4"

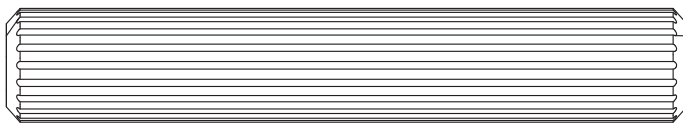


Part List - BD01375 - BOOKCASE LOFT BED



Identifying the Hardware - Identify the hardware using the illustrations below.

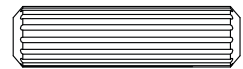
B



3 9/16" Wooden Dowel (15 x 90mm)

Qty
02

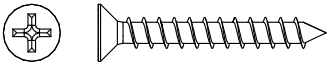
C



1 3/16" Wooden Dowel (8 x 30mm)

Qty
12

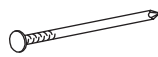
F



1 3/16" Screw (4 x 30mm)

Qty
02

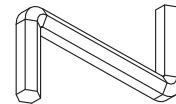
G



8 x 8

Qty
18

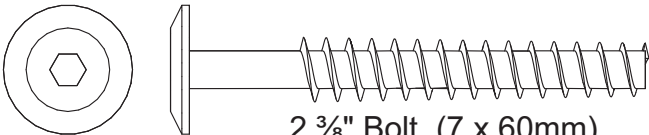
I



Allen wrench

Qty
01

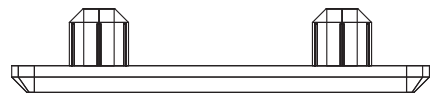
J



2 3/8" Bolt (7 x 60mm)

Qty
12

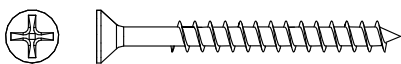
R



Plastic Foot

Qty
04

S



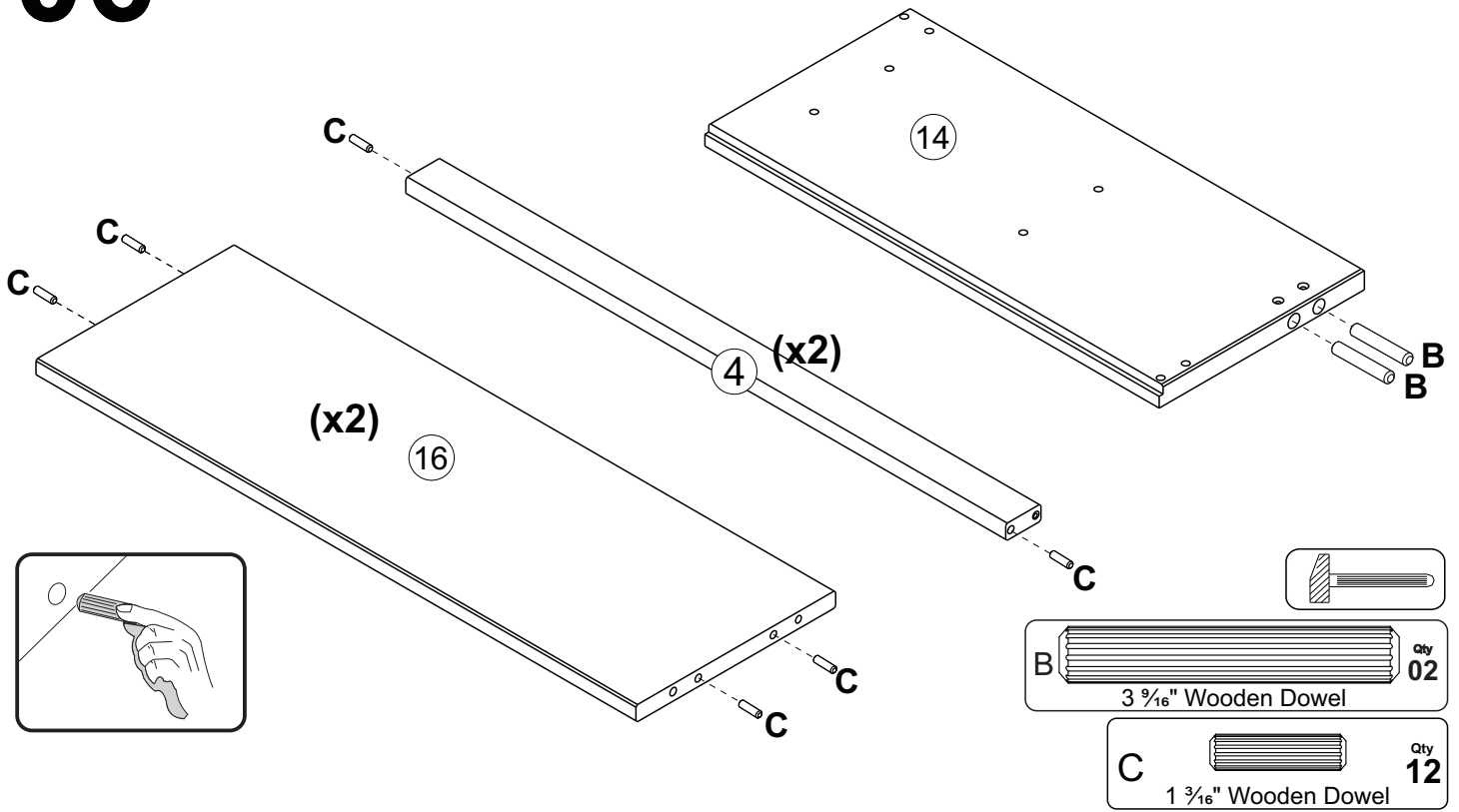
1 1/16" Screw (4 x 40mm)

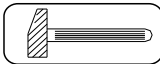
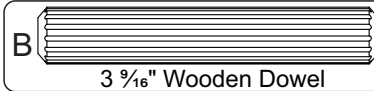

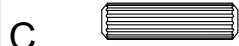
Qty
04



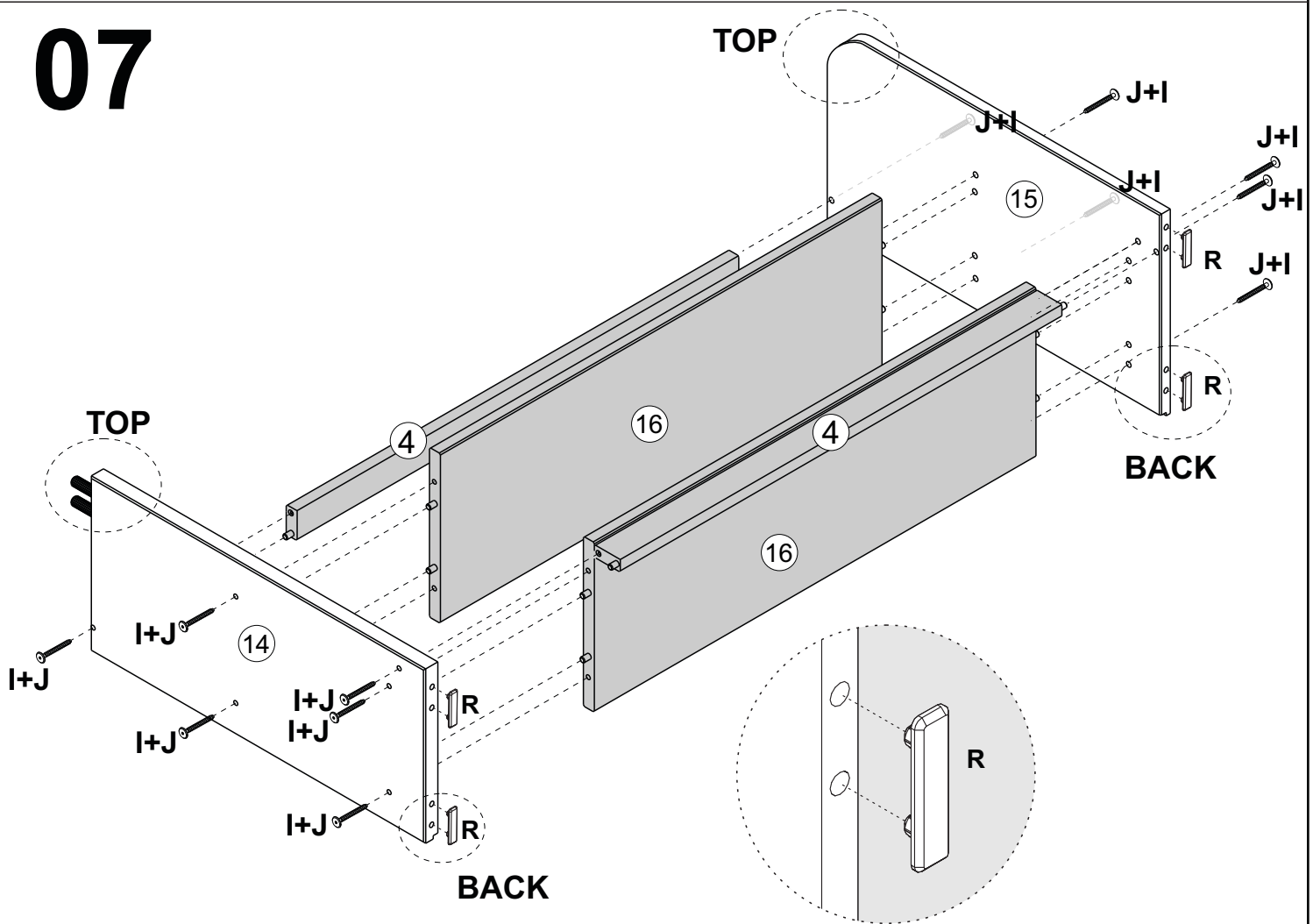
*Actual size of screws and bolts, for measurements checking.

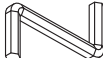

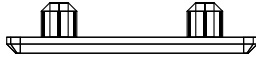
06



| | |
|---|--------|
|  | |
|  | Qty 02 |
| 3 9/16" Wooden Dowel | |
|  | |
|  | Qty 12 |
| 1 3/16" Wooden Dowel | |

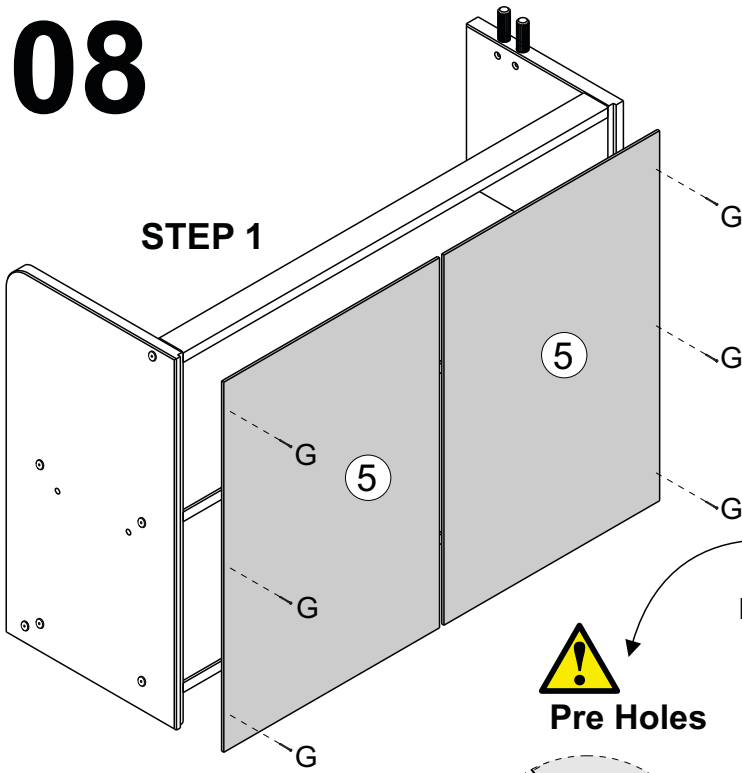
07



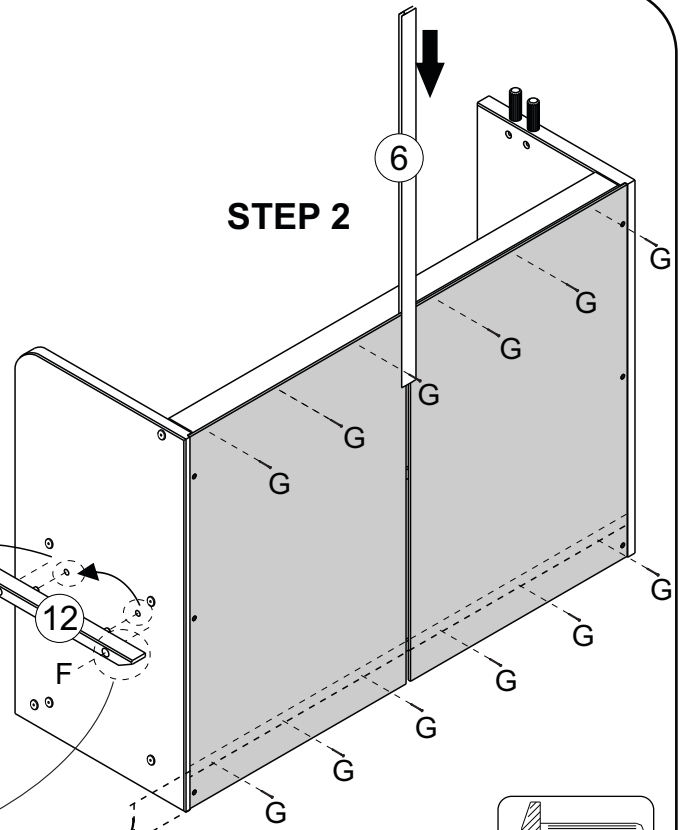
| | | | | | | | | |
|---|--------------|--------|---|-------------|--------|---|--------------|--------|
|  | Allen wrench | Qty 01 |  | 2 3/8" Bolt | Qty 12 |  | Plastic Foot | Qty 04 |
|---|--------------|--------|---|-------------|--------|---|--------------|--------|

08

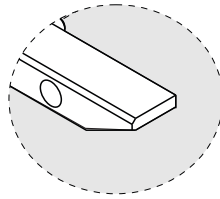
STEP 1



STEP 2

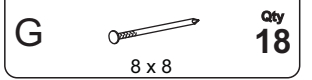
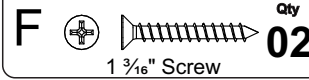
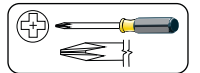


Pre Holes

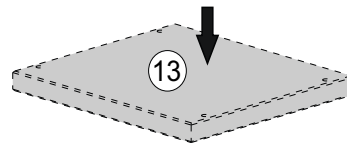


2" 1/4

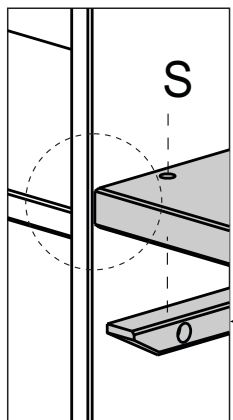
ATTACH NAIL TO THIS LINE.



09



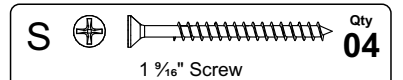
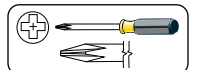
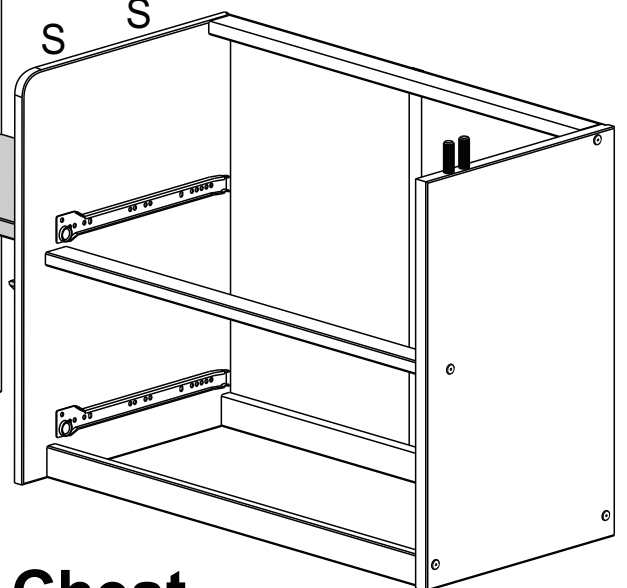
Front Alignment



Bookcase



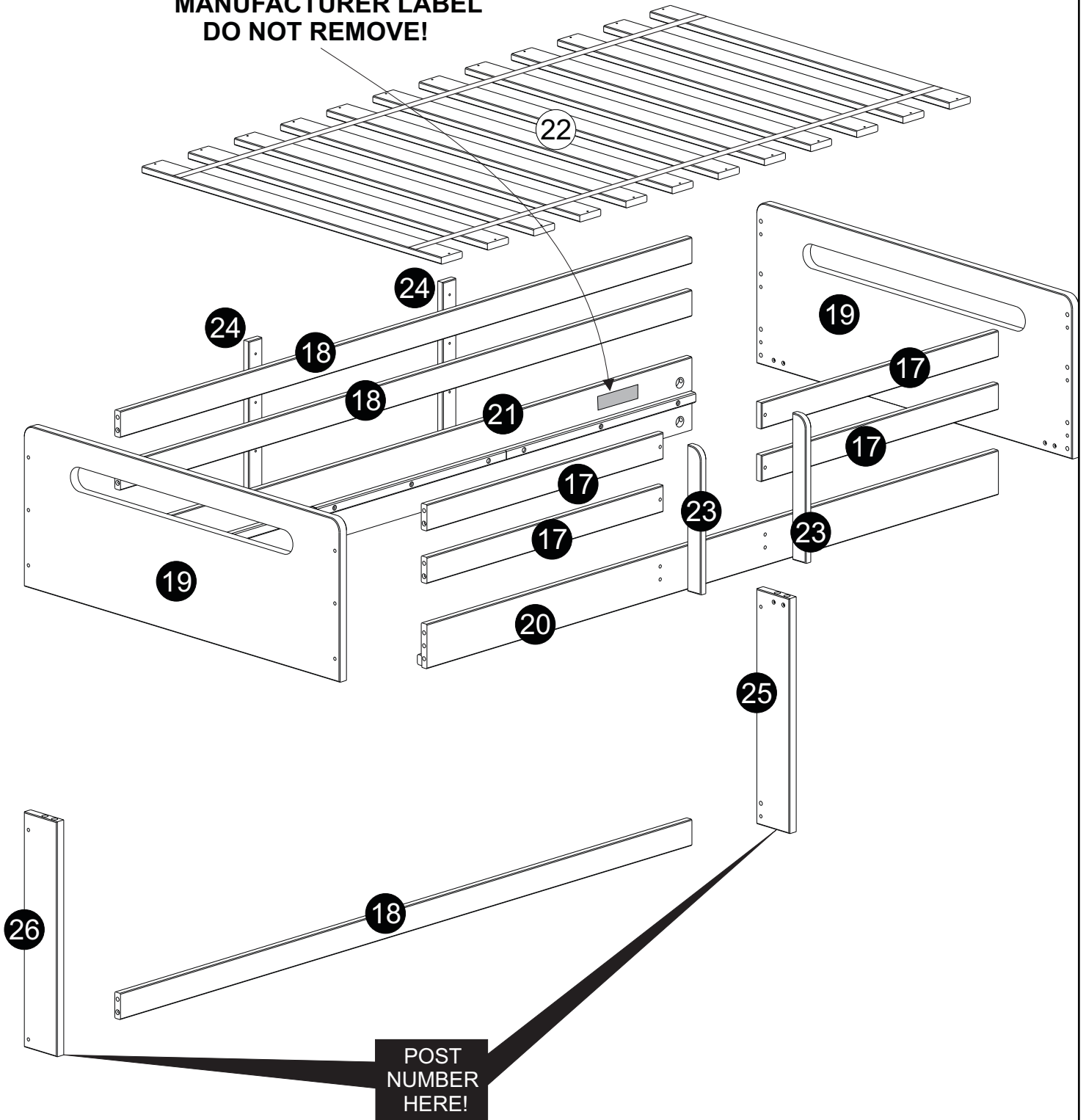
Chest



Part List - BD01375 - TWIN LOFT BED



**MANUFACTURER LABEL
DO NOT REMOVE!**

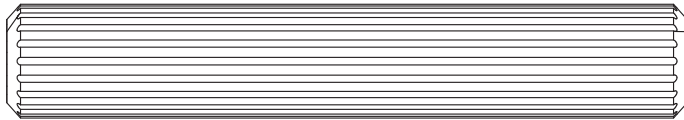


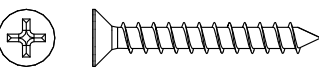
Caution

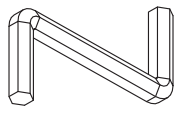
Please be careful when assembling this product due the parts are extremely heavy. Also, please do not allow kids around when assembling this bed to avoid injuries.

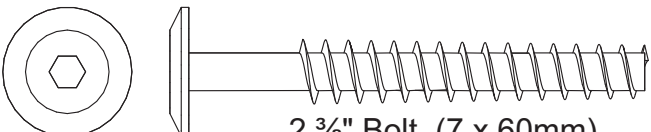
Identifying the Hardware - Identify the hardware using the illustrations below.

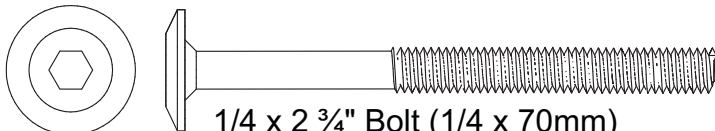
A  Qty **18**
1 9/16" Wooden Dowel (10 x 40mm)

B  Qty **04**
3 9/16" Wooden Dowel (15 x 90mm)

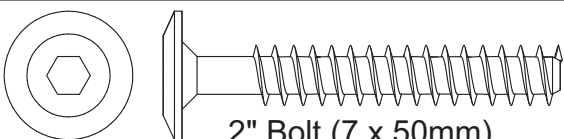
F  Qty **30**
1 3/16" Screw (4 x 30mm)

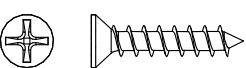
I  Allen wrench Qty **01**

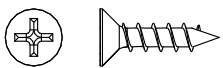
J  Qty **10**
2 3/8" Bolt (7 x 60mm)


K  Qty **06**
1/4 x 2 3/4" Bolt (1/4 x 70mm)

L  Qty **06**
1/4" Elliptical Nut

M  Qty **08**
2" Bolt (7 x 50mm)

N  Qty **16**
3/4" Screw (3.5 x 20mm)

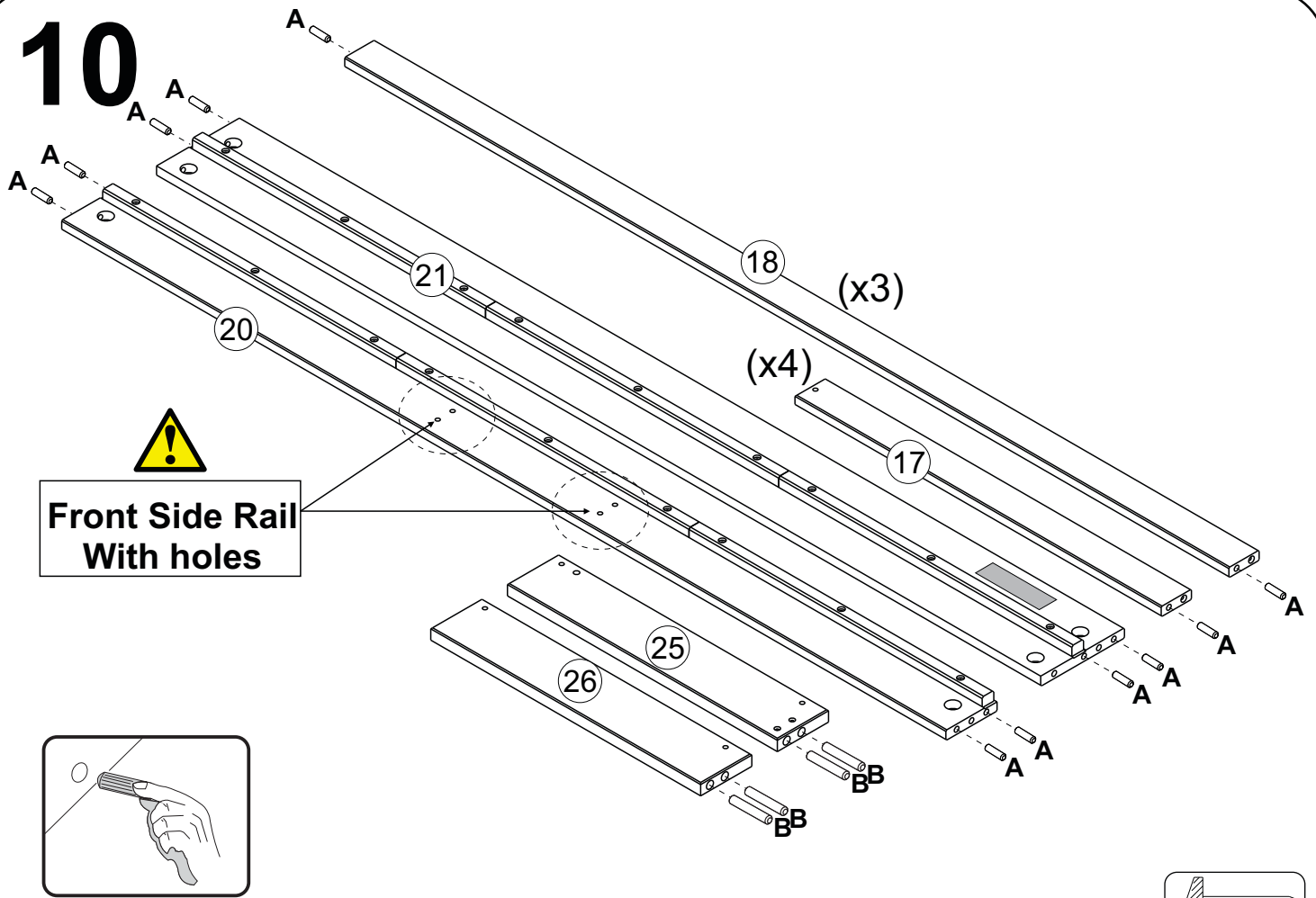
O  Qty **08**
5/8" Screw (3.5 x 16mm)

P  Qty **04**



*Actual size of screws and bolts, for measurements checking.

10

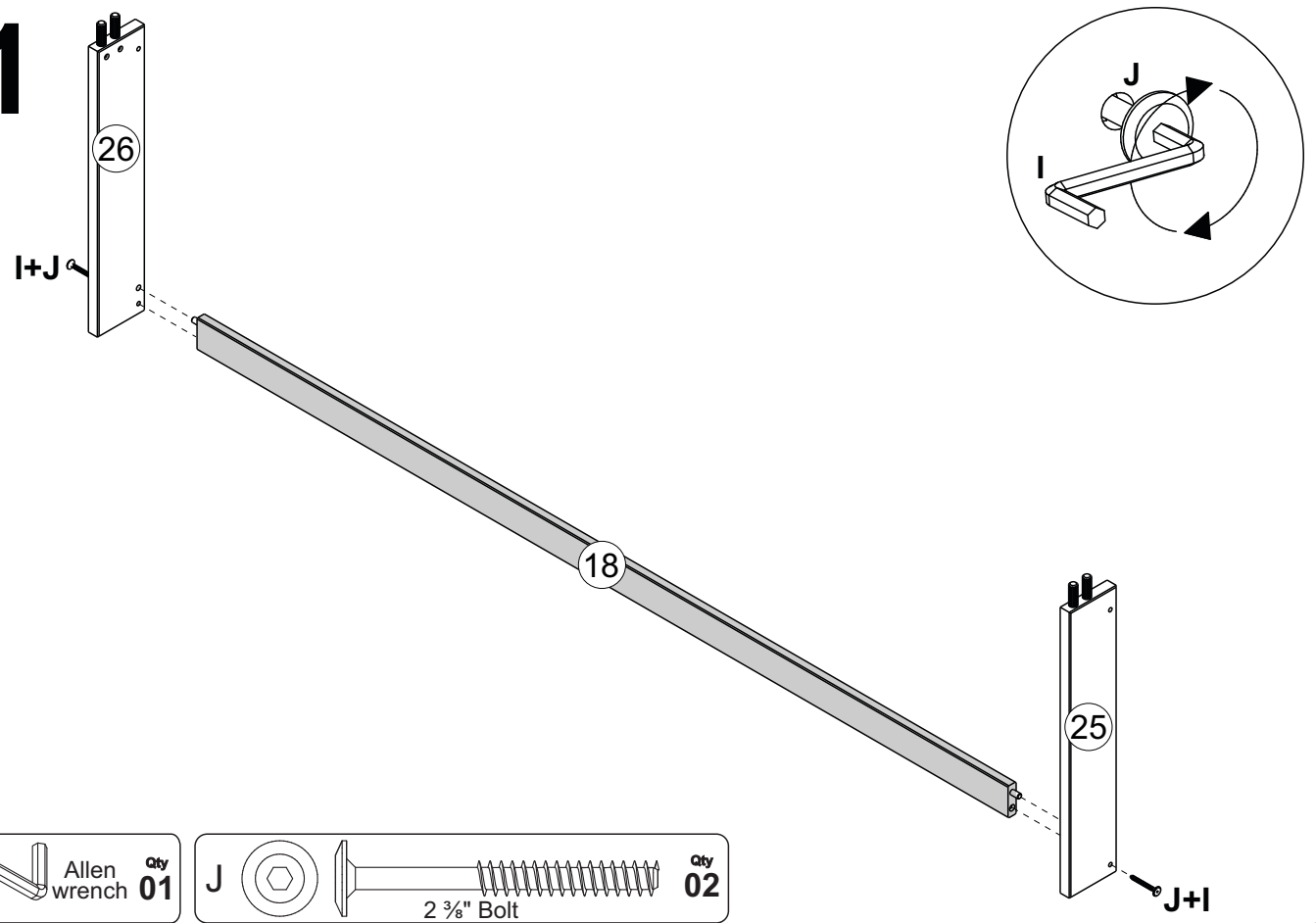


**Front Side Rail
With holes**

A Qty 18
1 1/16" Wooden Dowel

B Qty 04
3 9/16" Wooden Dowel

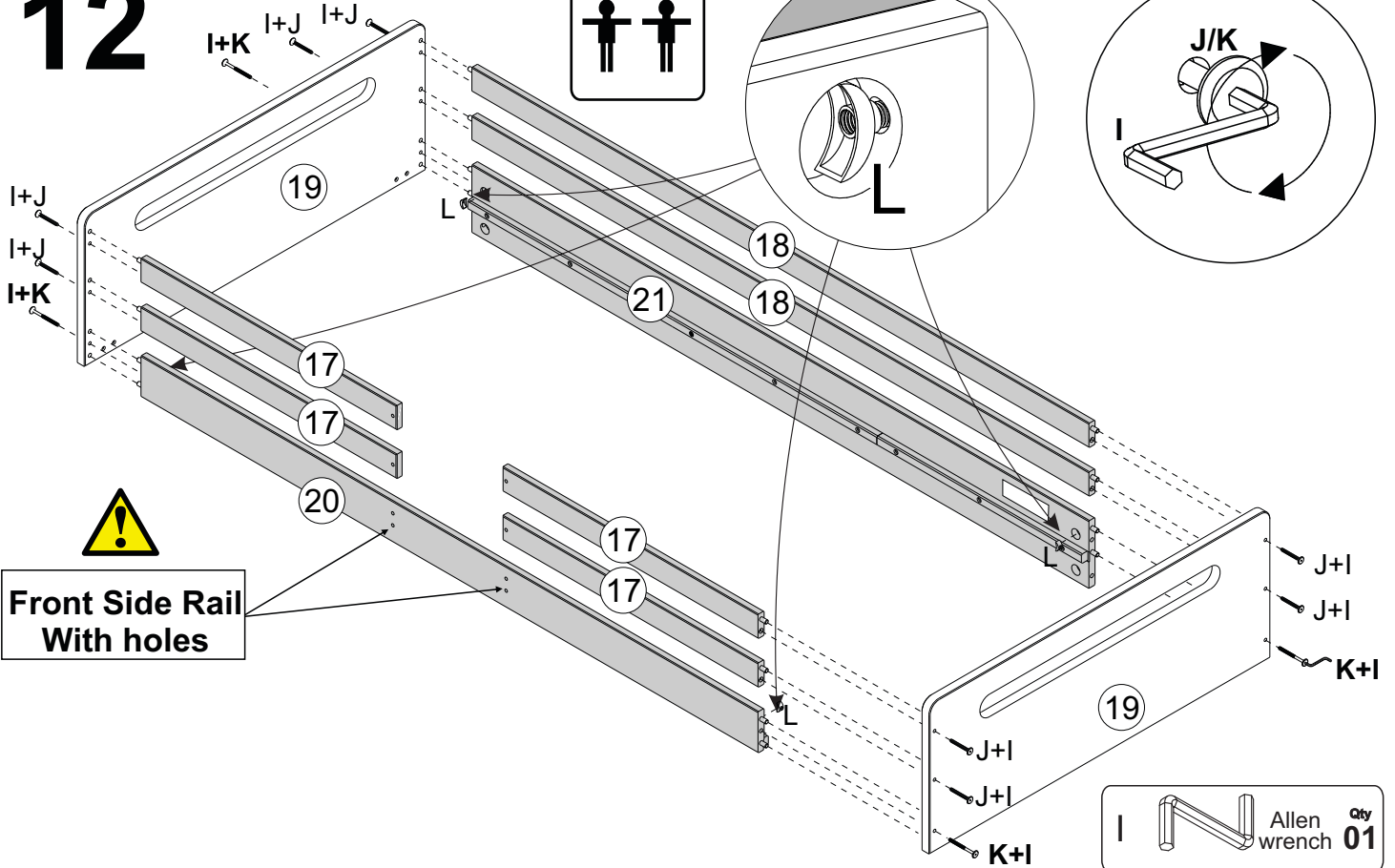
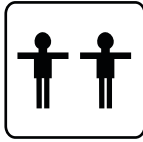
11



I Qty 01
Allen wrench

J Qty 02
2 3/8" Bolt

12



**Front Side Rail
With holes**

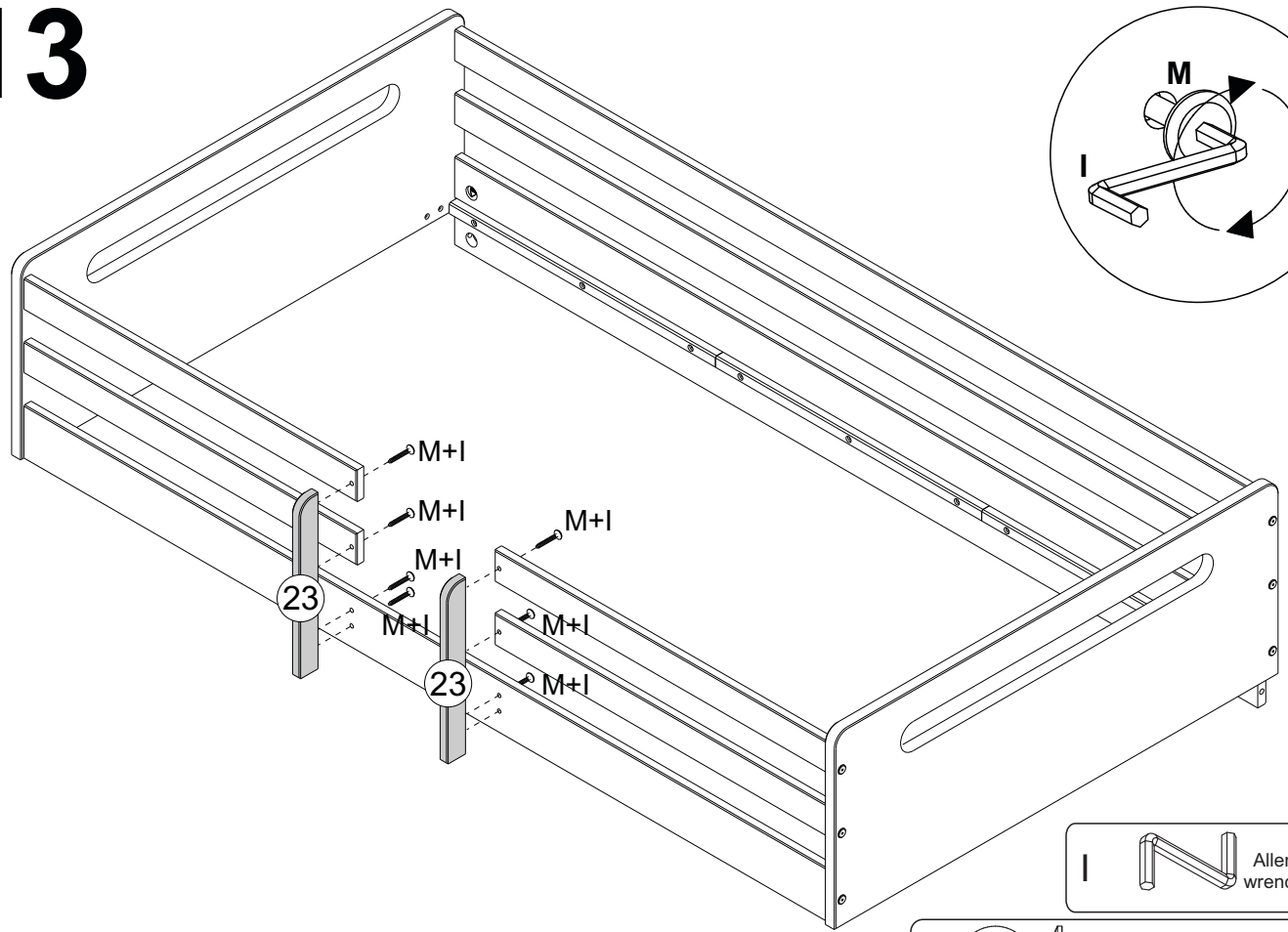
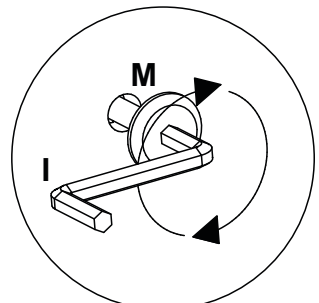
I Allen wrench Qty **01**

J 2 3/4" Bolt Qty **08**

K 1/4 x 2 3/4" Bolt Qty **04**

L 1/4" Elliptical Nut Qty **04**

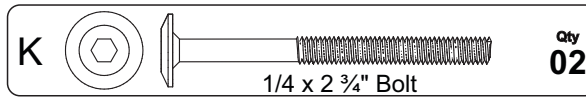
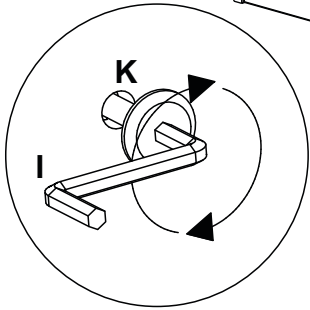
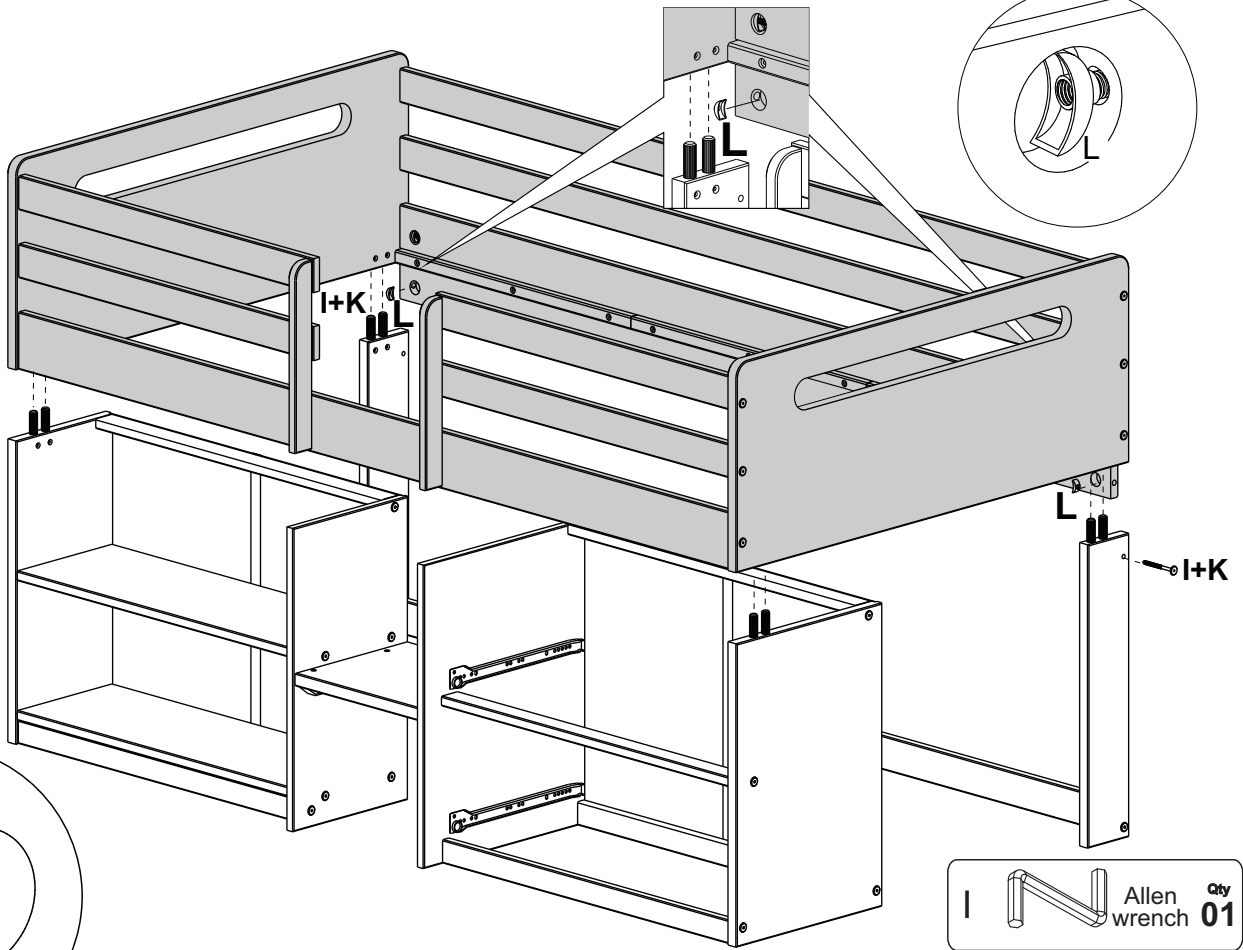
13



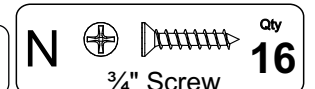
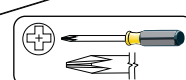
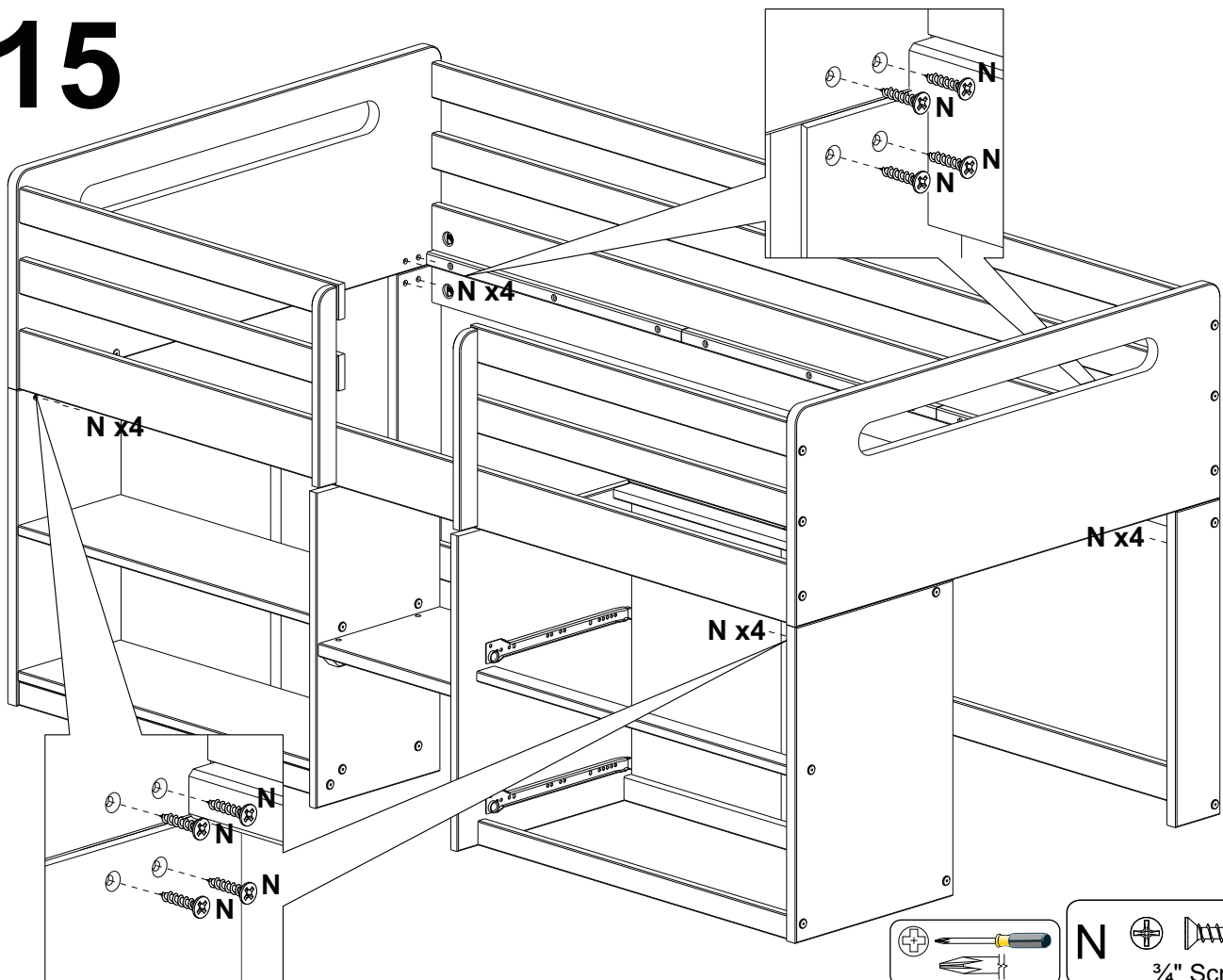
I Allen wrench Qty **01**

M 2" Bolt Qty **08**

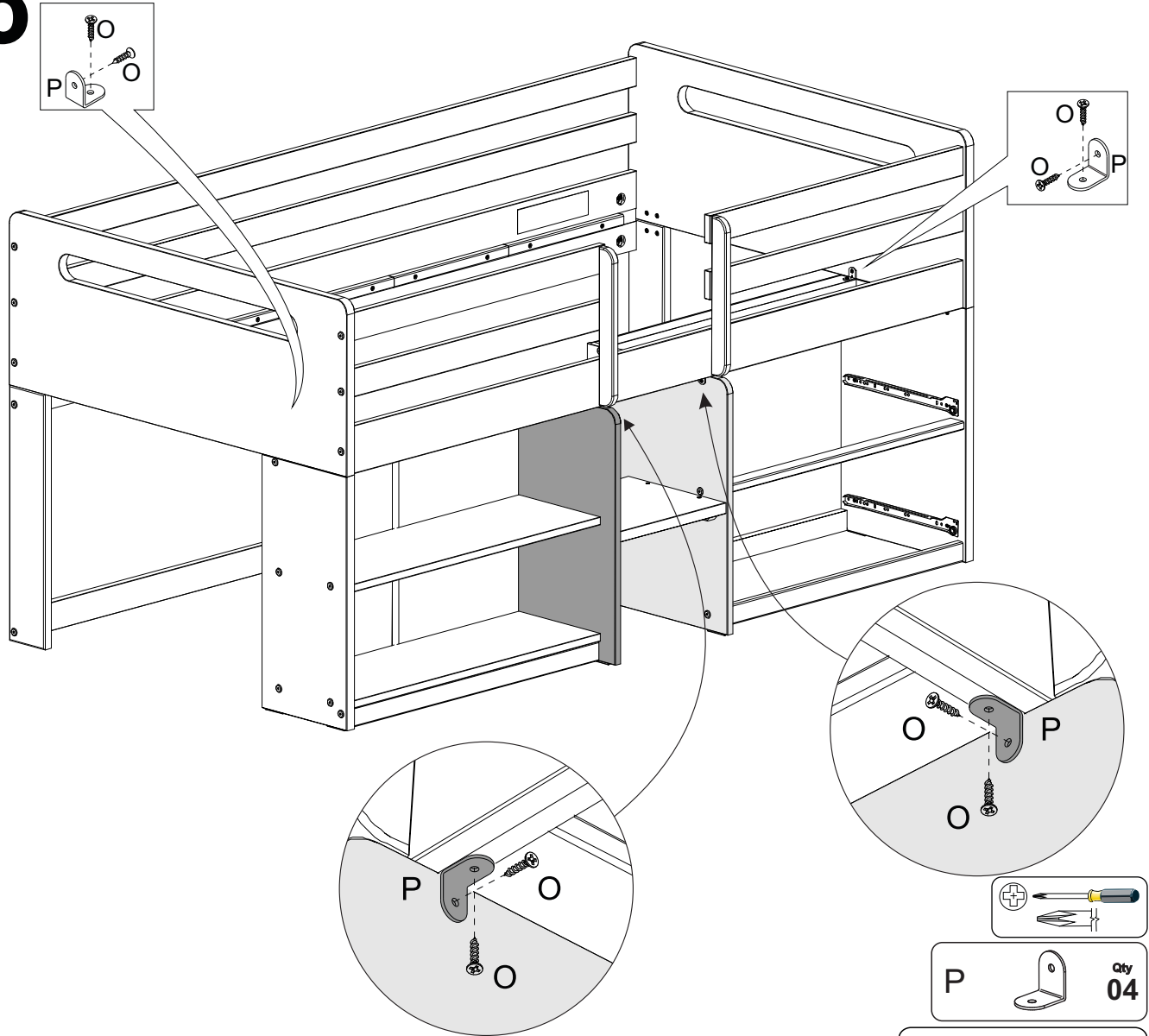
14



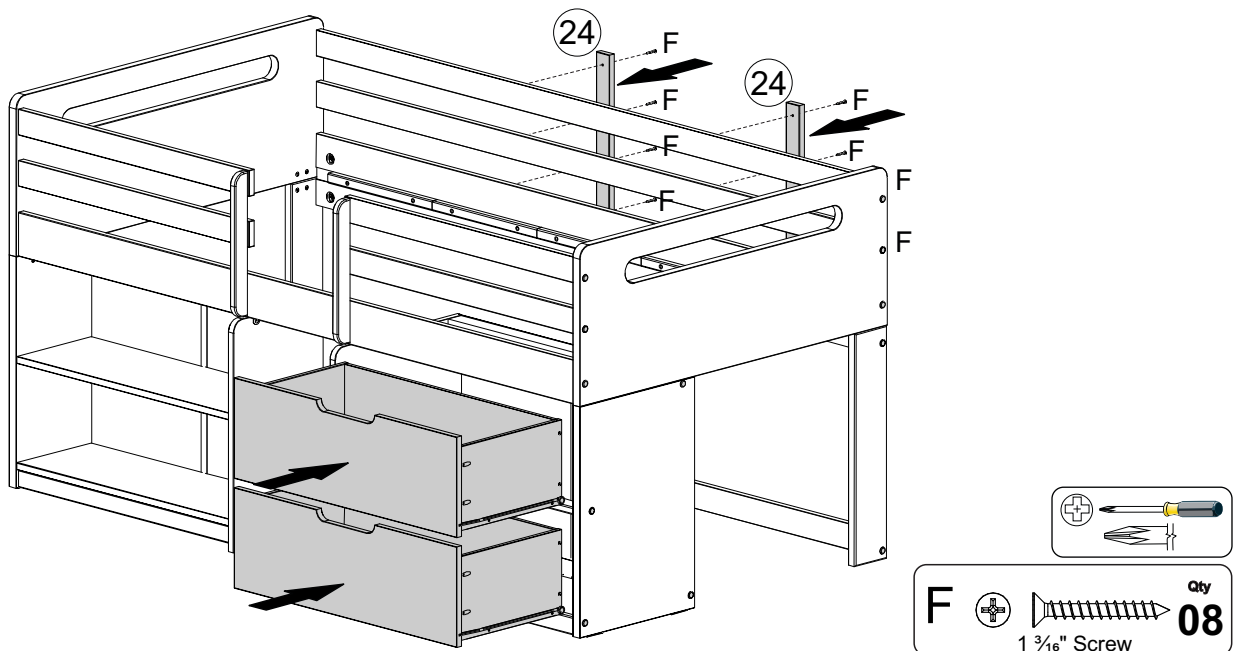
15



16



17



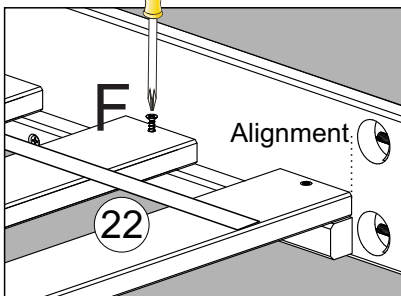
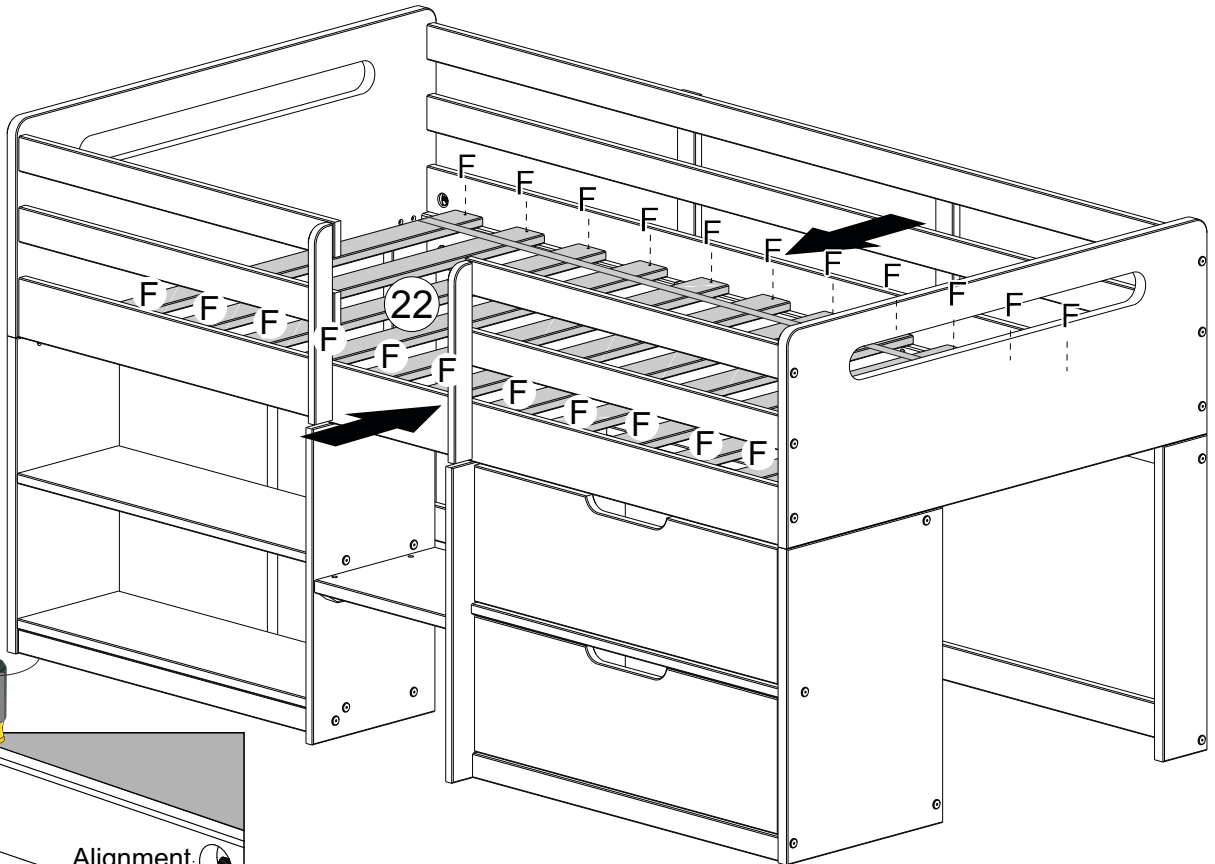
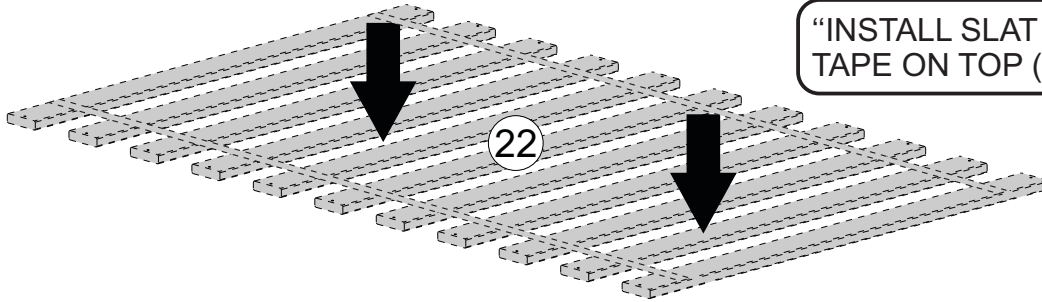
18

There must be at least 5" inches from top surface of mattress to top edge or guardrails.

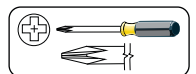
“MATTRESS 7" HIGH LIMITED”




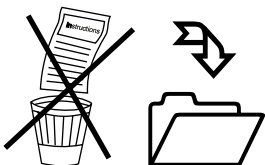
“INSTALL SLAT KIT WITH SPACER TAPE ON TOP (FACING UP)”



The first slat must be fixed to the end of the side rail bracket.
After fixing the first slat, open the slat set, leaving the tape stretched, until the last slat is aligned at the end of the side rail bracket.



F  **Qty 22**
1 3/16" Screw



IMPORTANT NOTE:

Please note warpage may occur because it is natural wood. To facilitate the placement of the screws, you must press the two siderails simultaneously, as shown by the arrows.