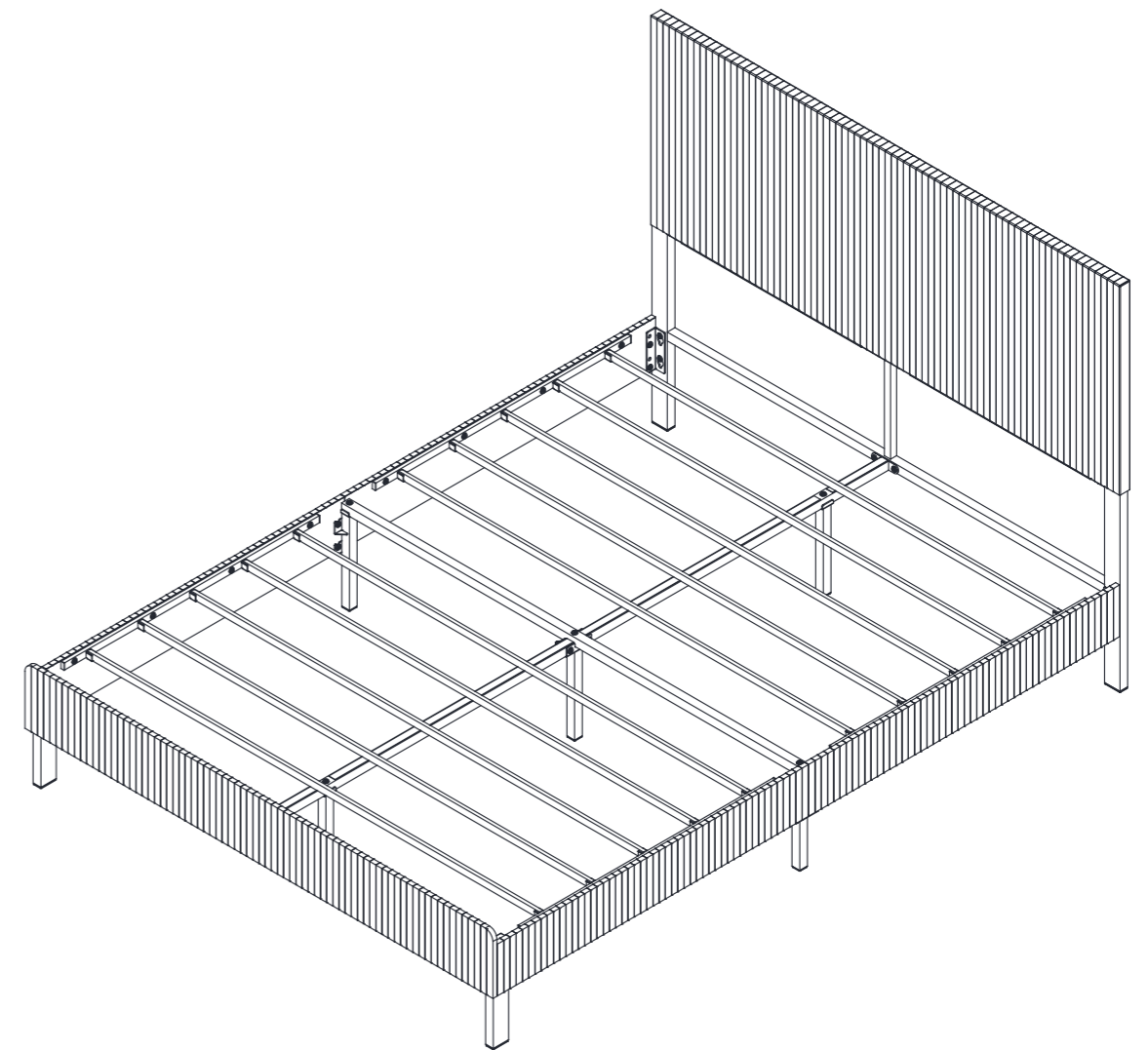
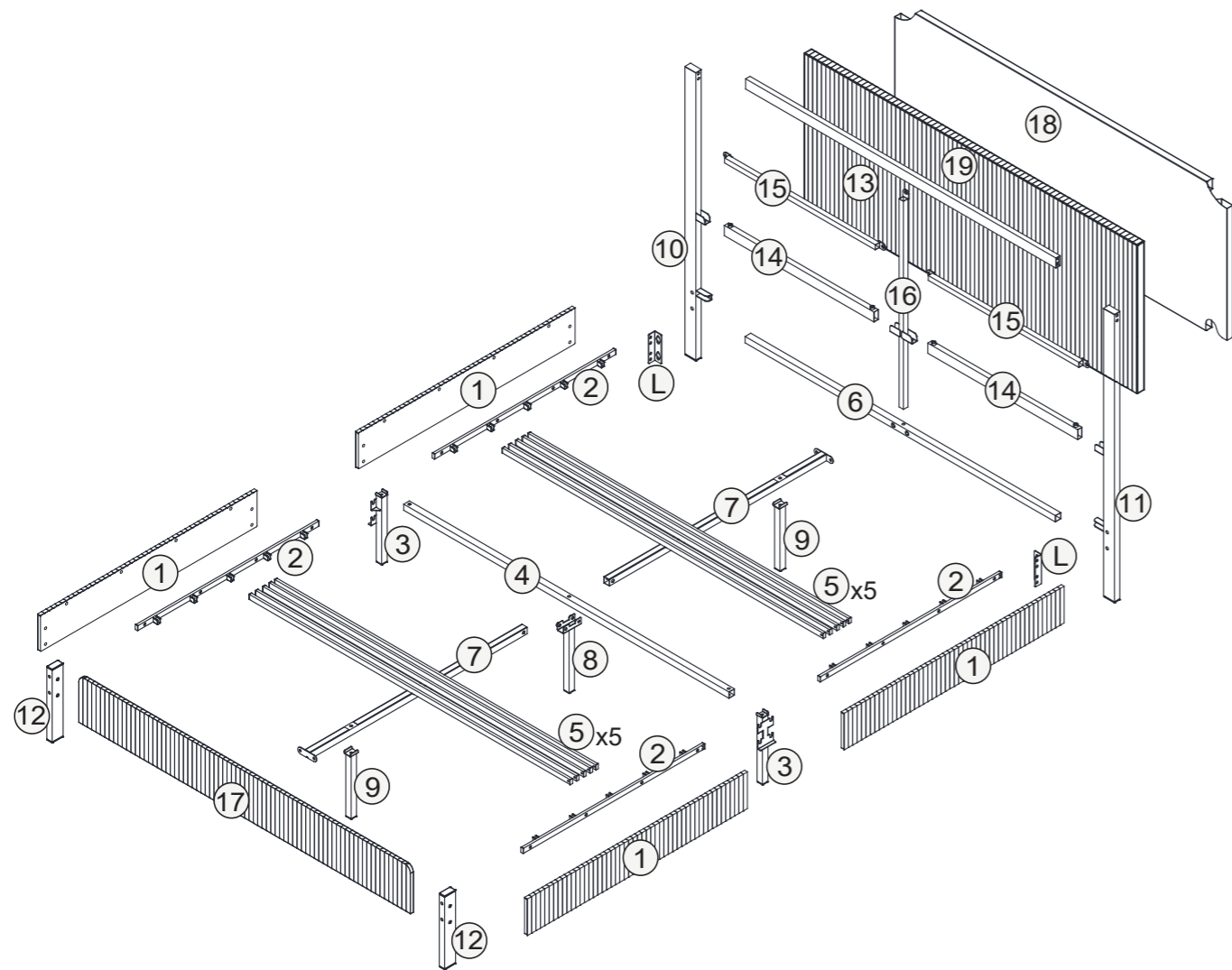


BED FRAME



Thank you for choosing our products, please assemble and use it following the instructions.

Assembly Instruction

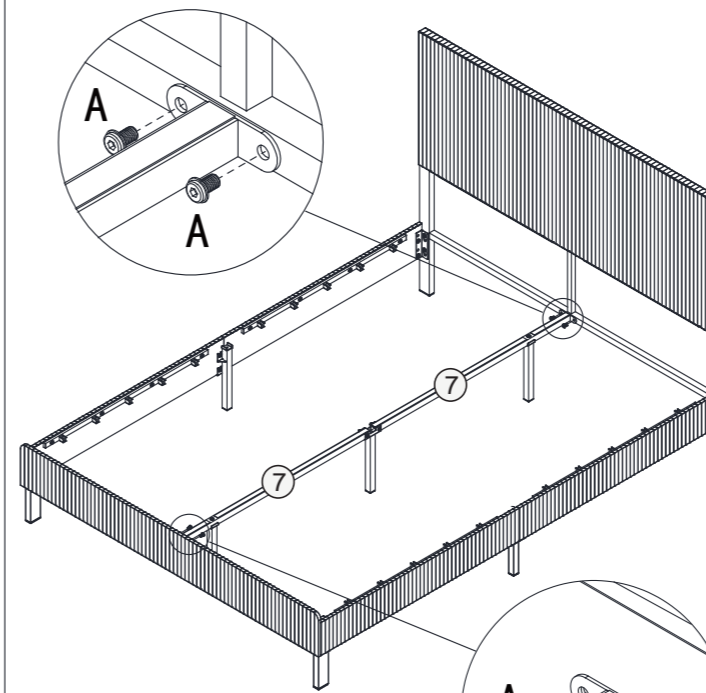


Important Note

HARDWARE NOTE :

1. Two or more people are required for assembly
2. Do not screw on the bolts too tight unless the installation is done. Make sure all bolts are tightly screwed before you use it.

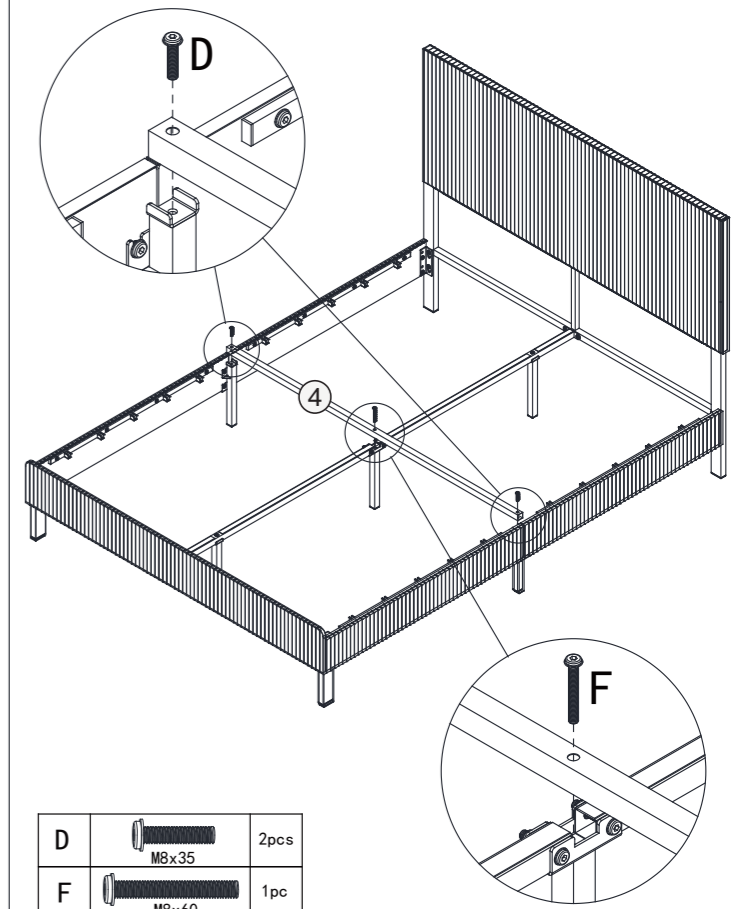
14



A M8x14 4pcs white zinc

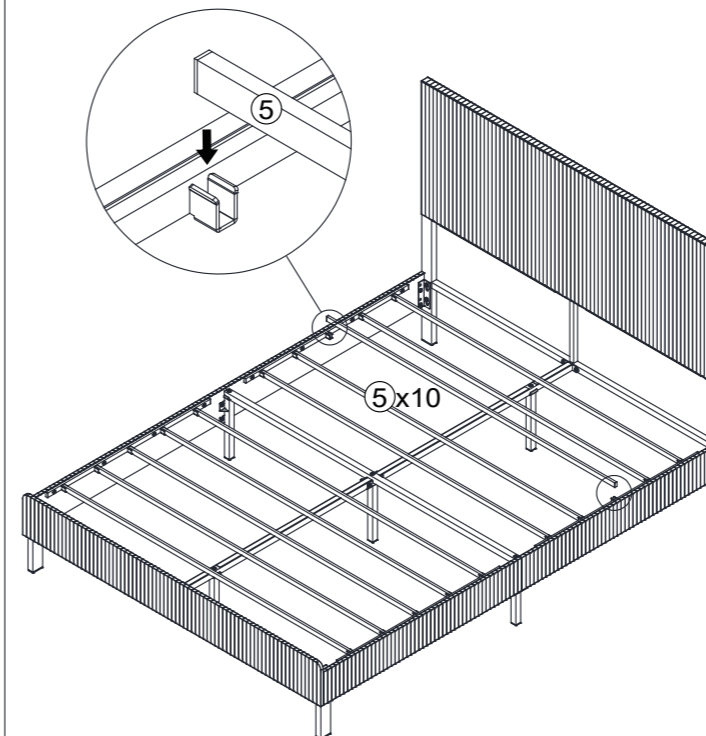
To assemble first

15

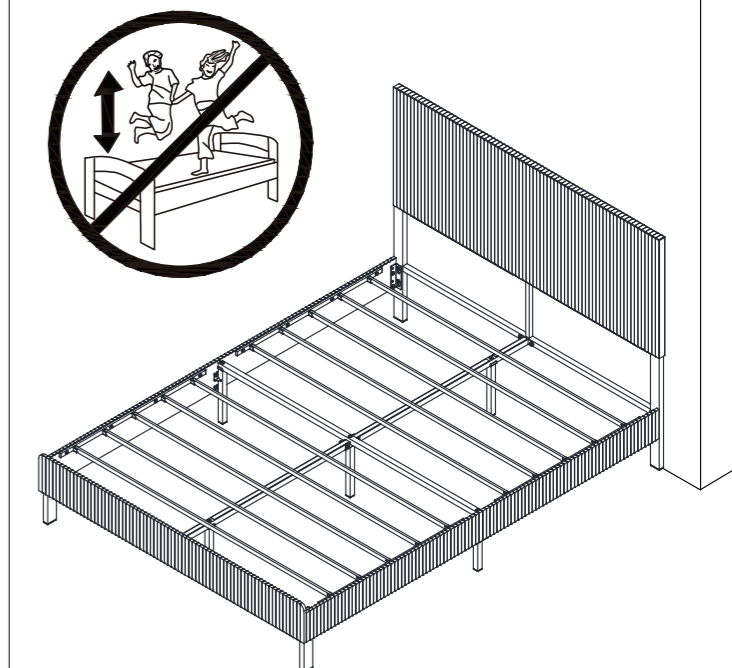


D	M8x35	2pcs
F	M8x60	1pc

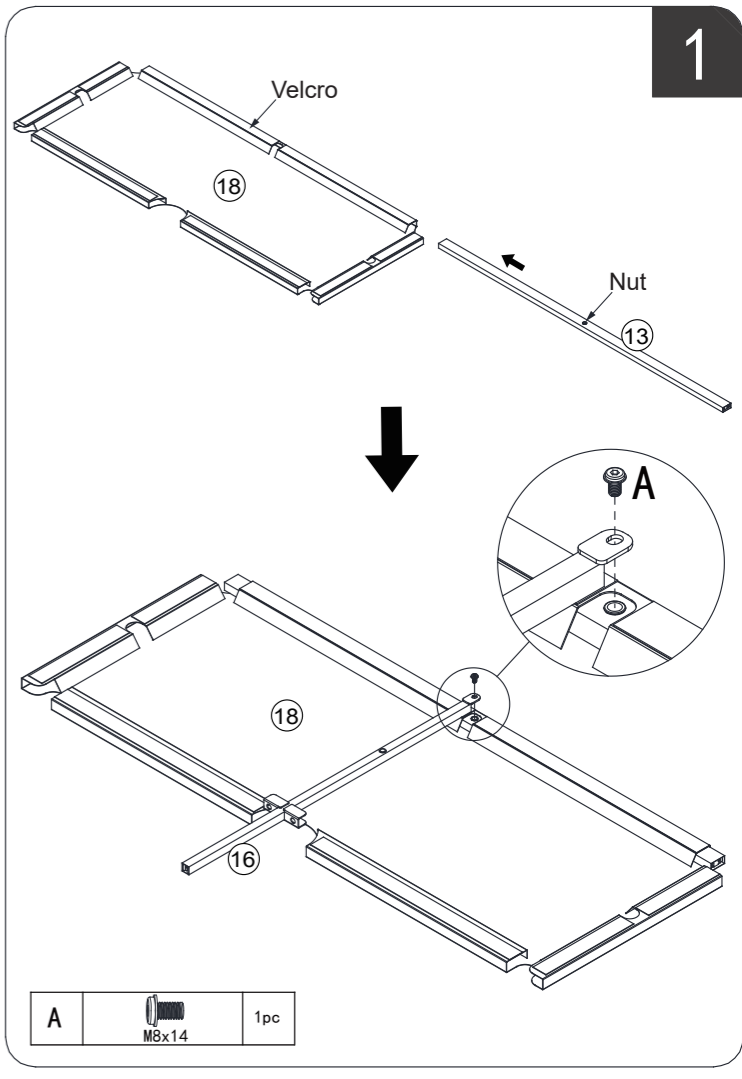
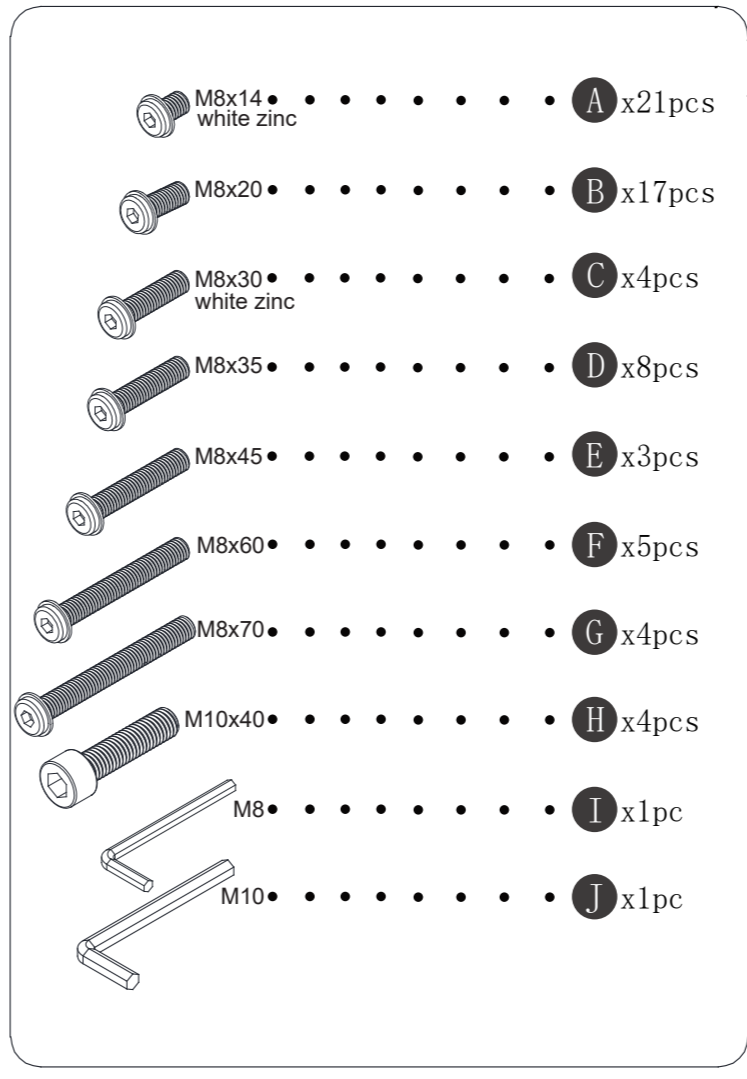
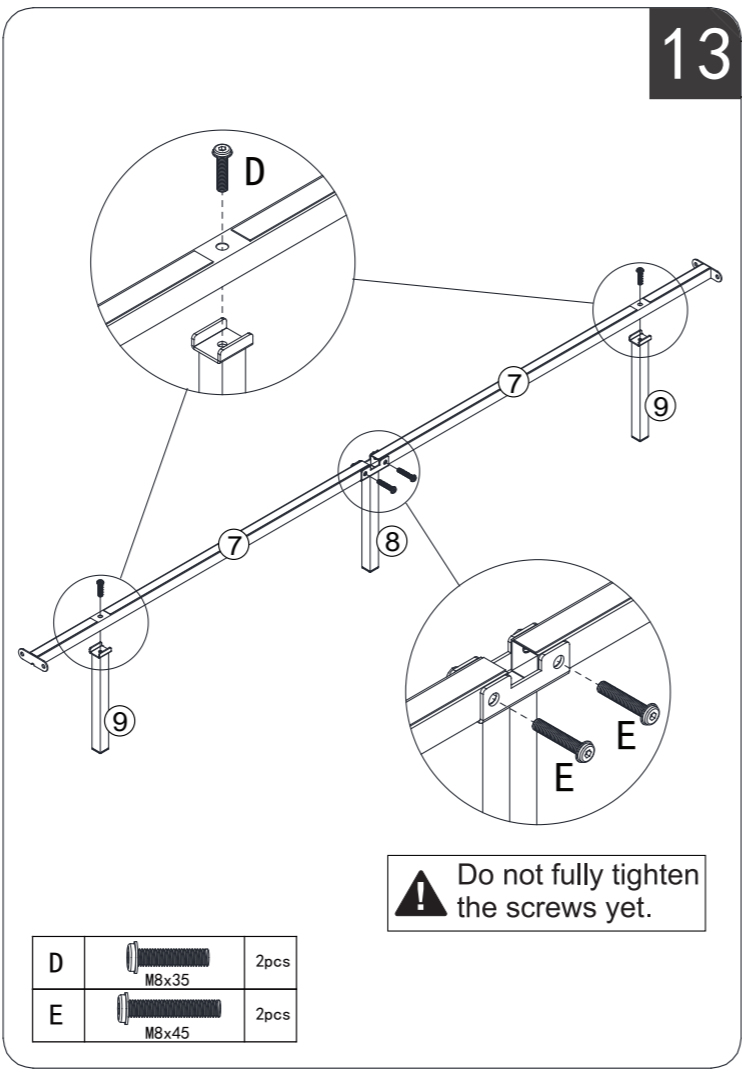
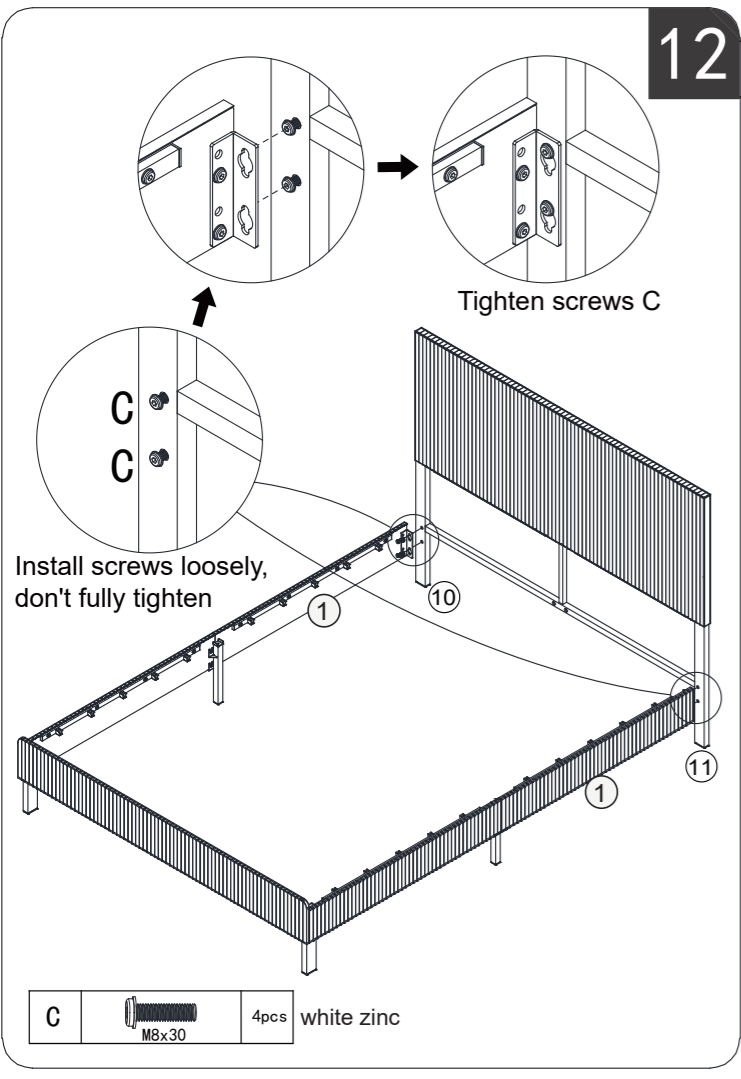
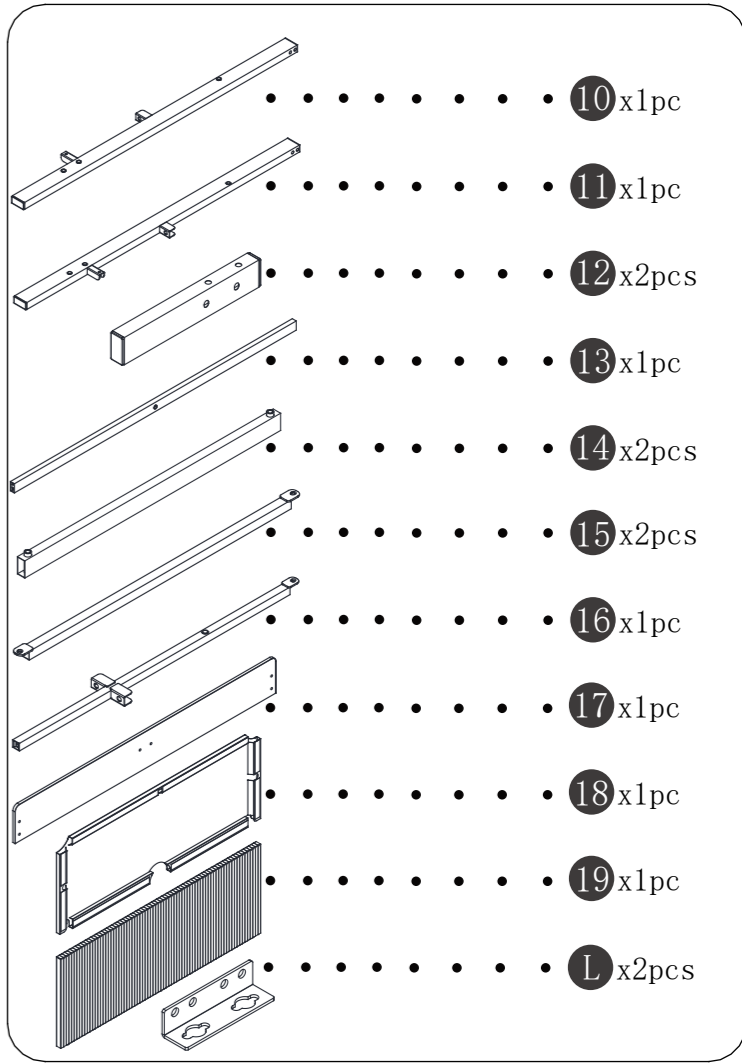
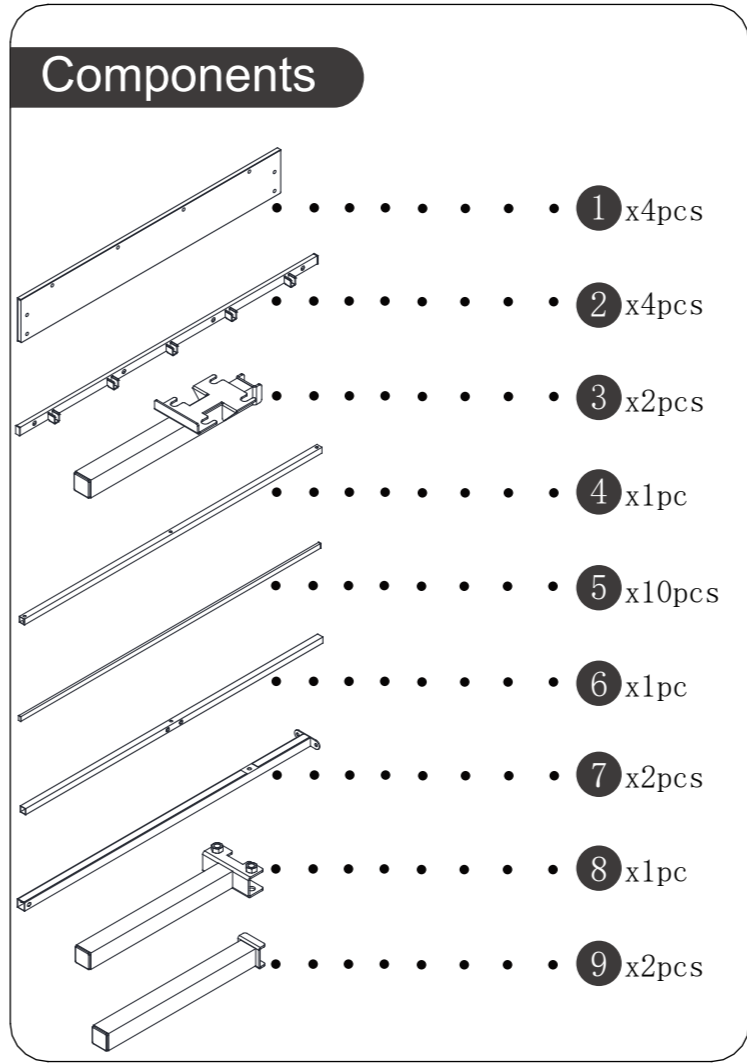
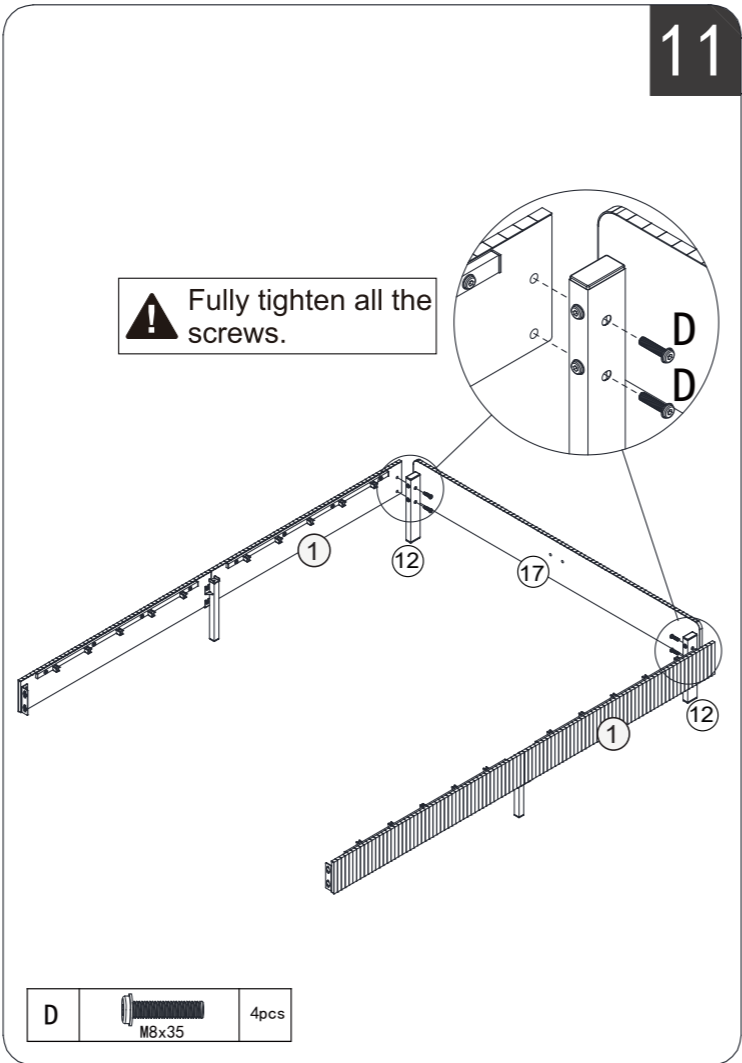
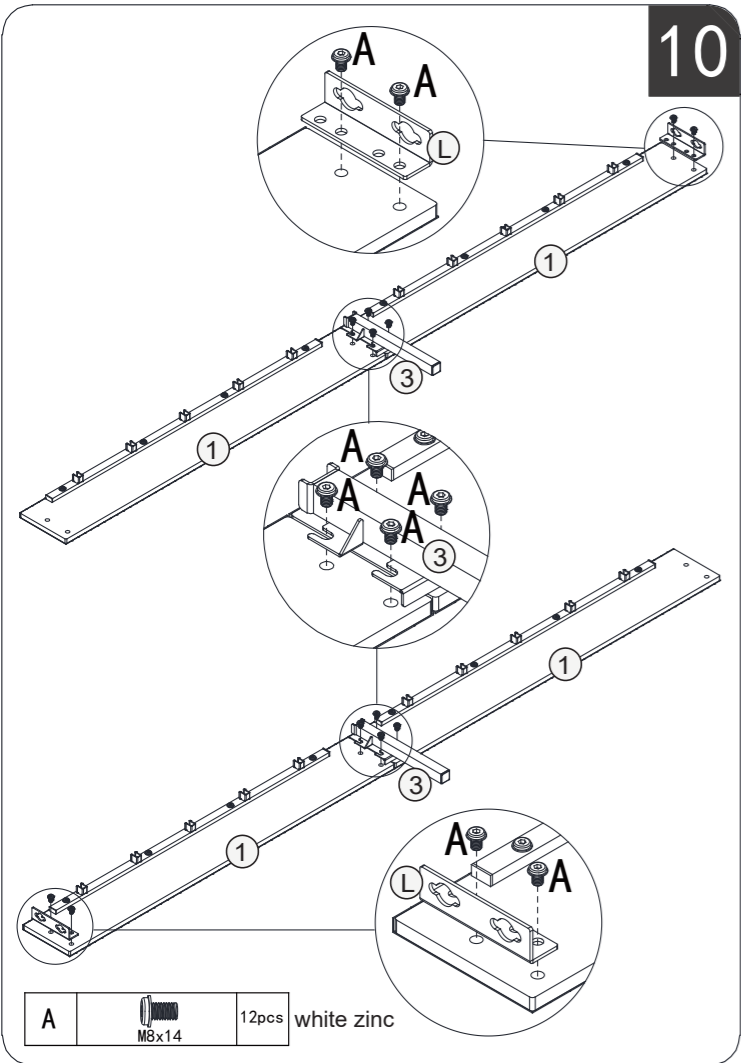
16



17



Finish



2

long

14

18

16

H

H

! The screws are retracted by 50 percent.

H	M10x40	2pcs
---	--------	------

3

11

6

10

A

A

A	M8x14	2pcs	white zinc
---	-------	------	------------

6

15

15

A

B

A	M8x14	2pcs	white zinc
B	M8x20	1pc	

7

Velcro

19

18

19

Glue the Velcro around it.

4

11

18

10

G

G

E

16

10

E	M8x45	1pc
G	M8x70	4pcs

5

11

10

H

! Fully tighten all the screws.

H	M10x40	2pcs
---	--------	------

8

12

17

12

F

F

F

F

! Do not fully tighten the screws yet.

F	M8x60	4pcs
---	-------	------

9

x4

B

2

1

1

1

B

B	M8x20	16pcs
---	-------	-------