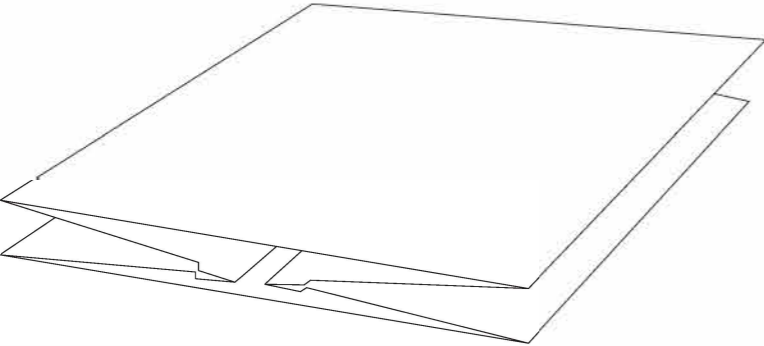
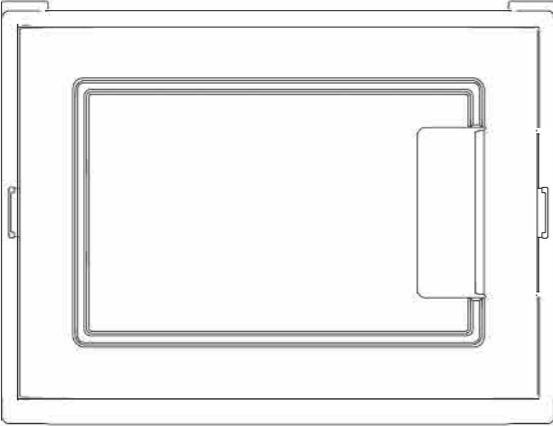
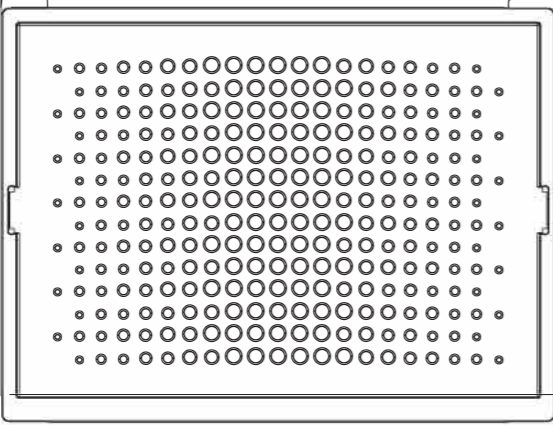


STACKABLE SHOE BOX

ASSEMBLY INSTRUCTIONS

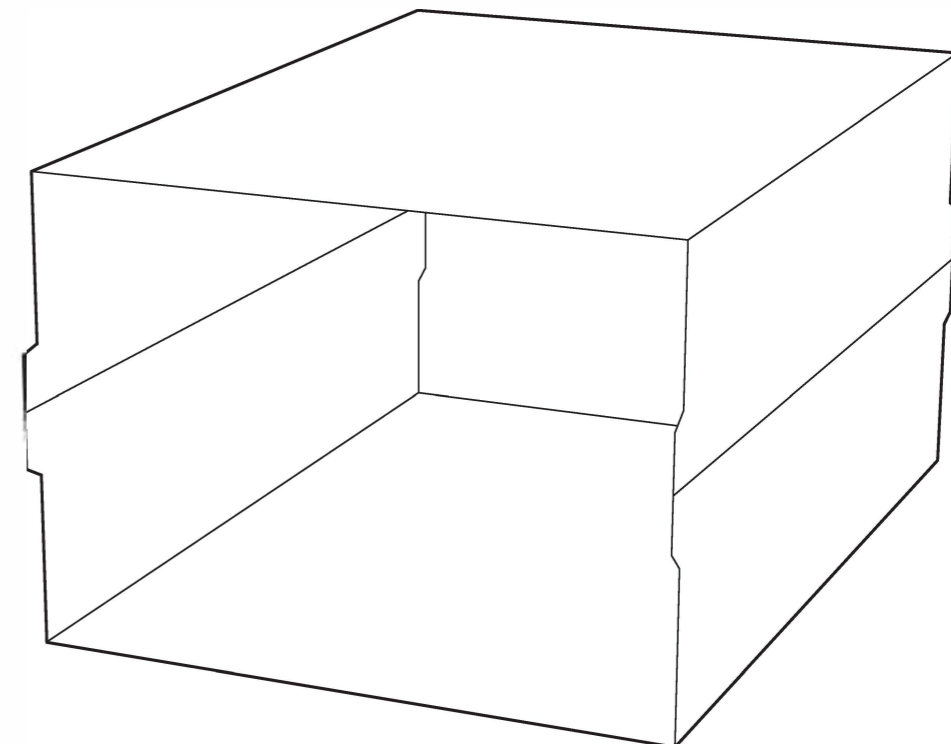
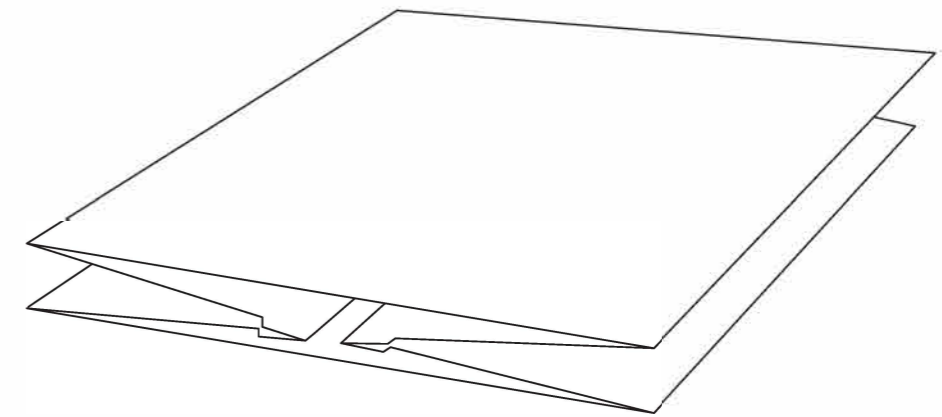
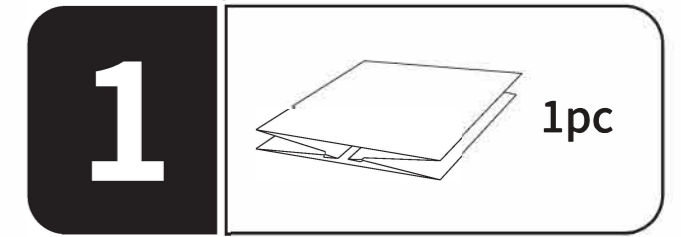


Attention: Take caution as the drawers are lightweight and can be pulled out by children.

| Reference Image | Qty. |
|---|------|
|  | X1 |
|  | X1 |
|  | X1 |

1

ASSEMBLY INSTRUCTIONS

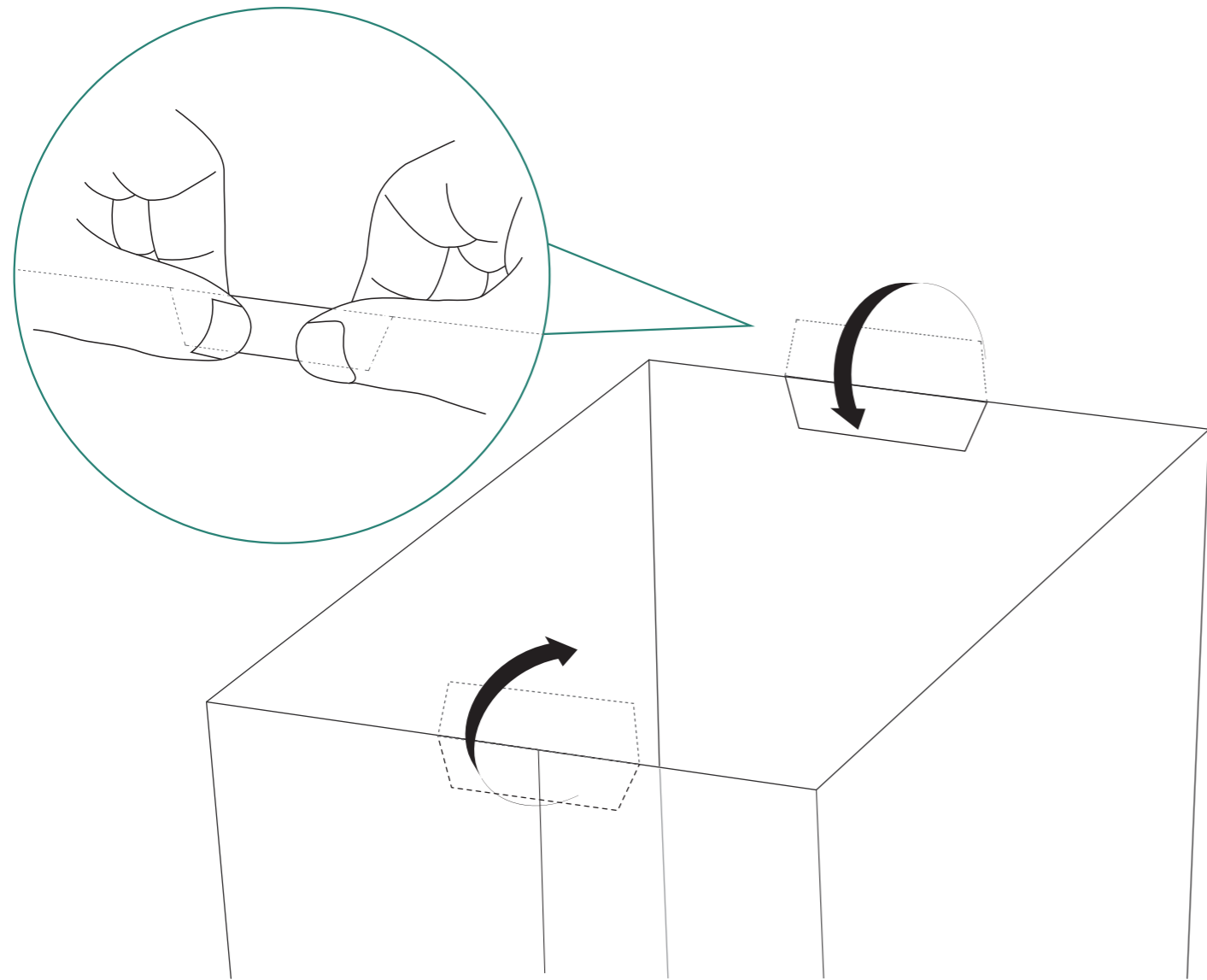


2

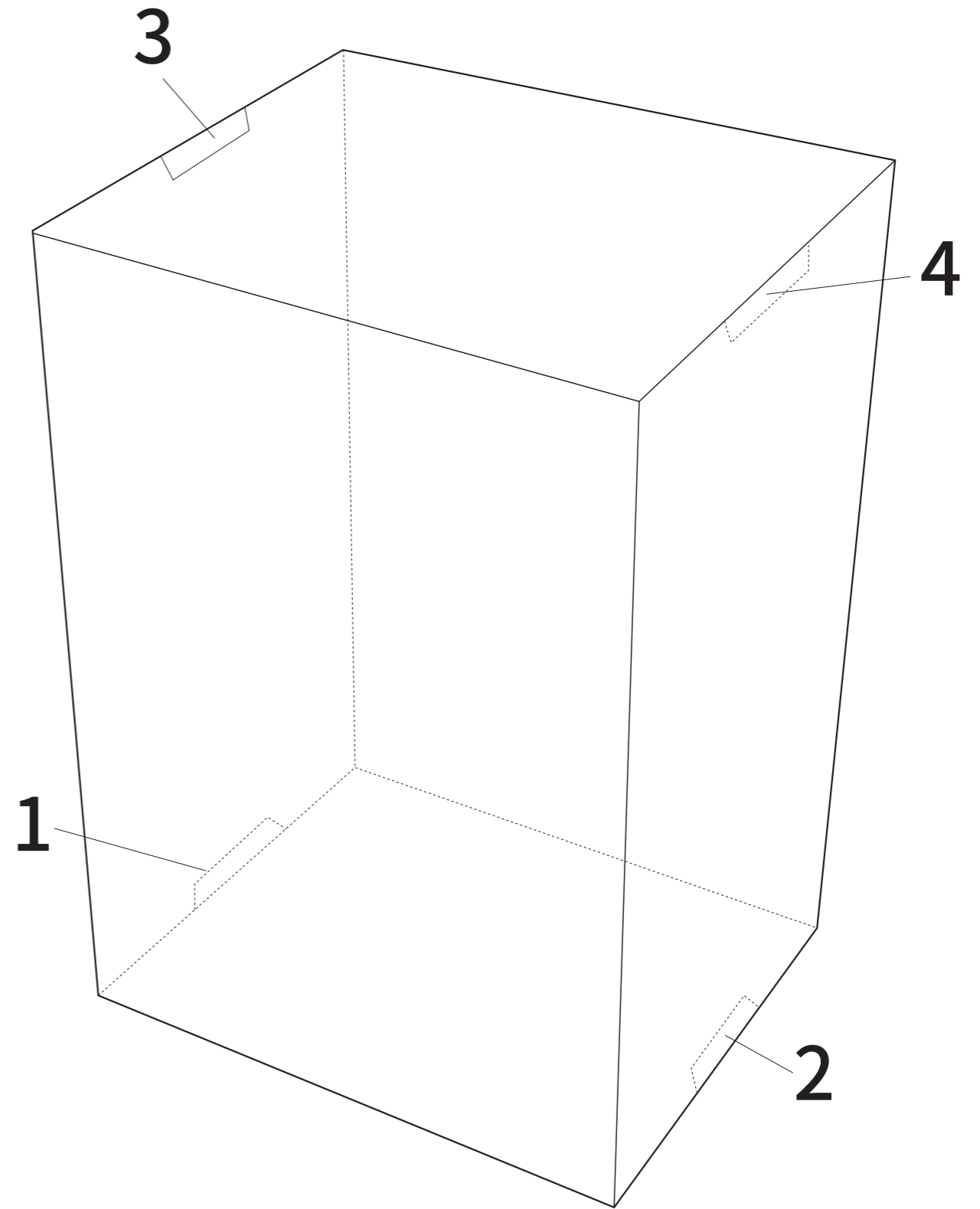
ASSEMBLY INSTRUCTIONS

ASSEMBLY INSTRUCTIONS

2

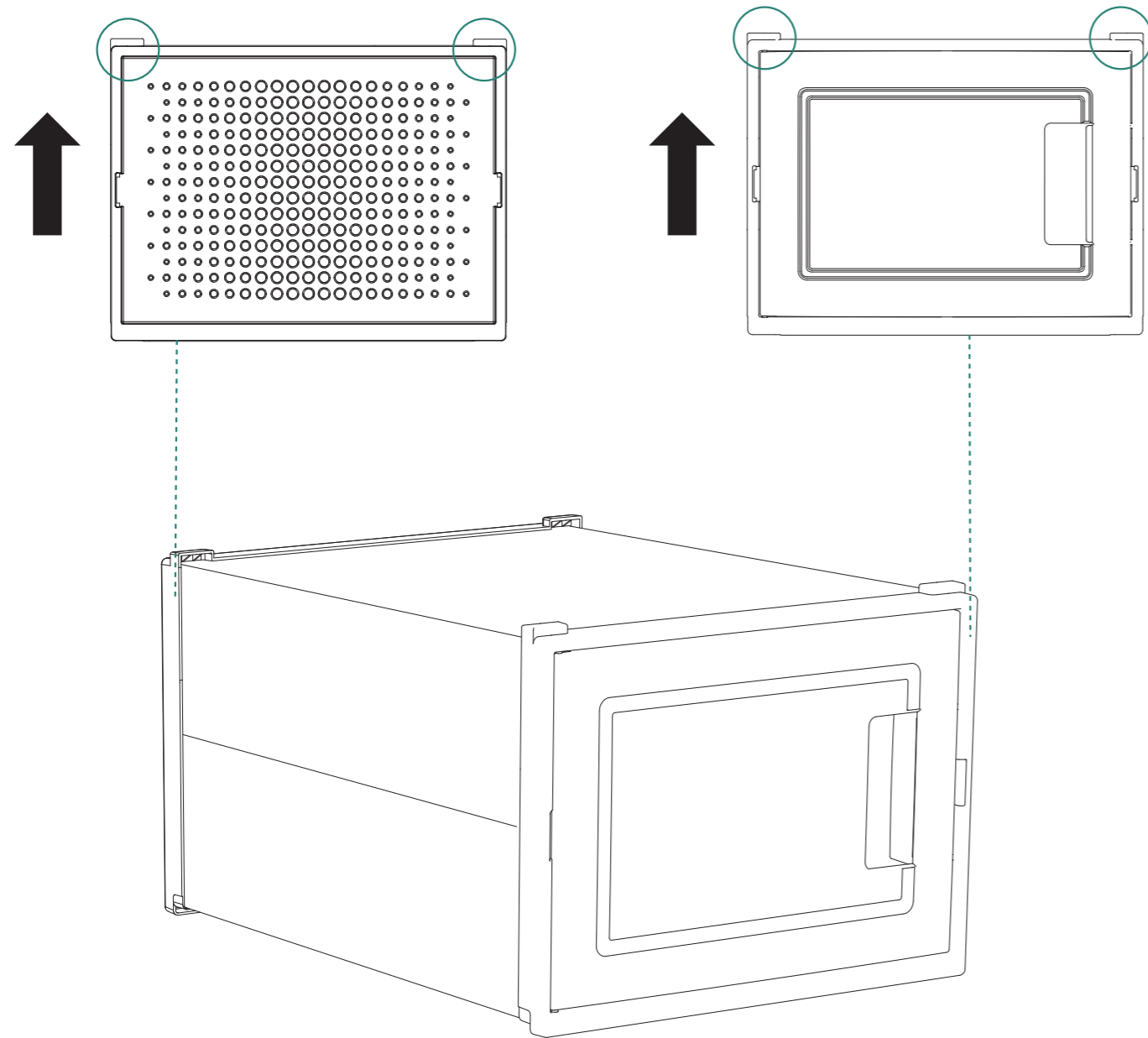
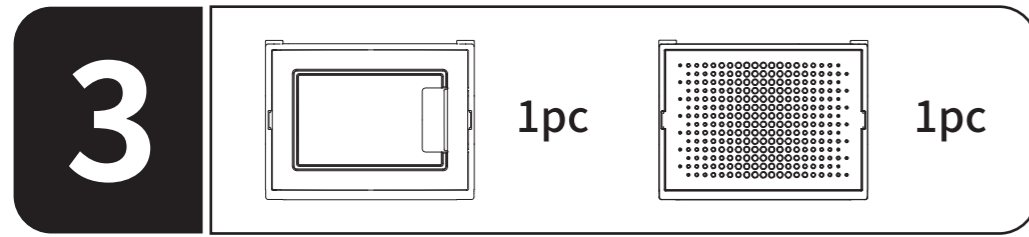


3



4

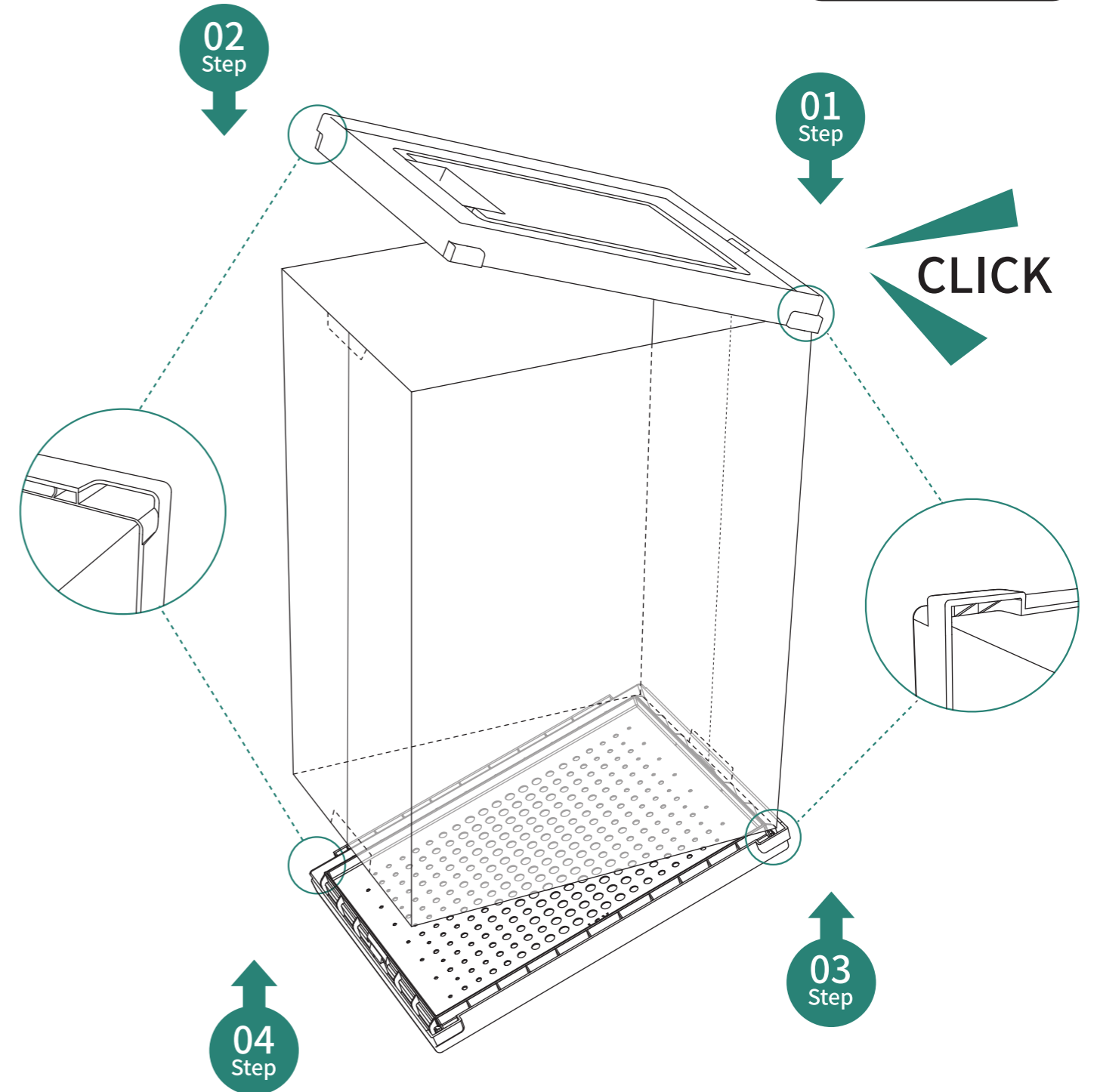
ASSEMBLY INSTRUCTIONS



⚠ Attention:

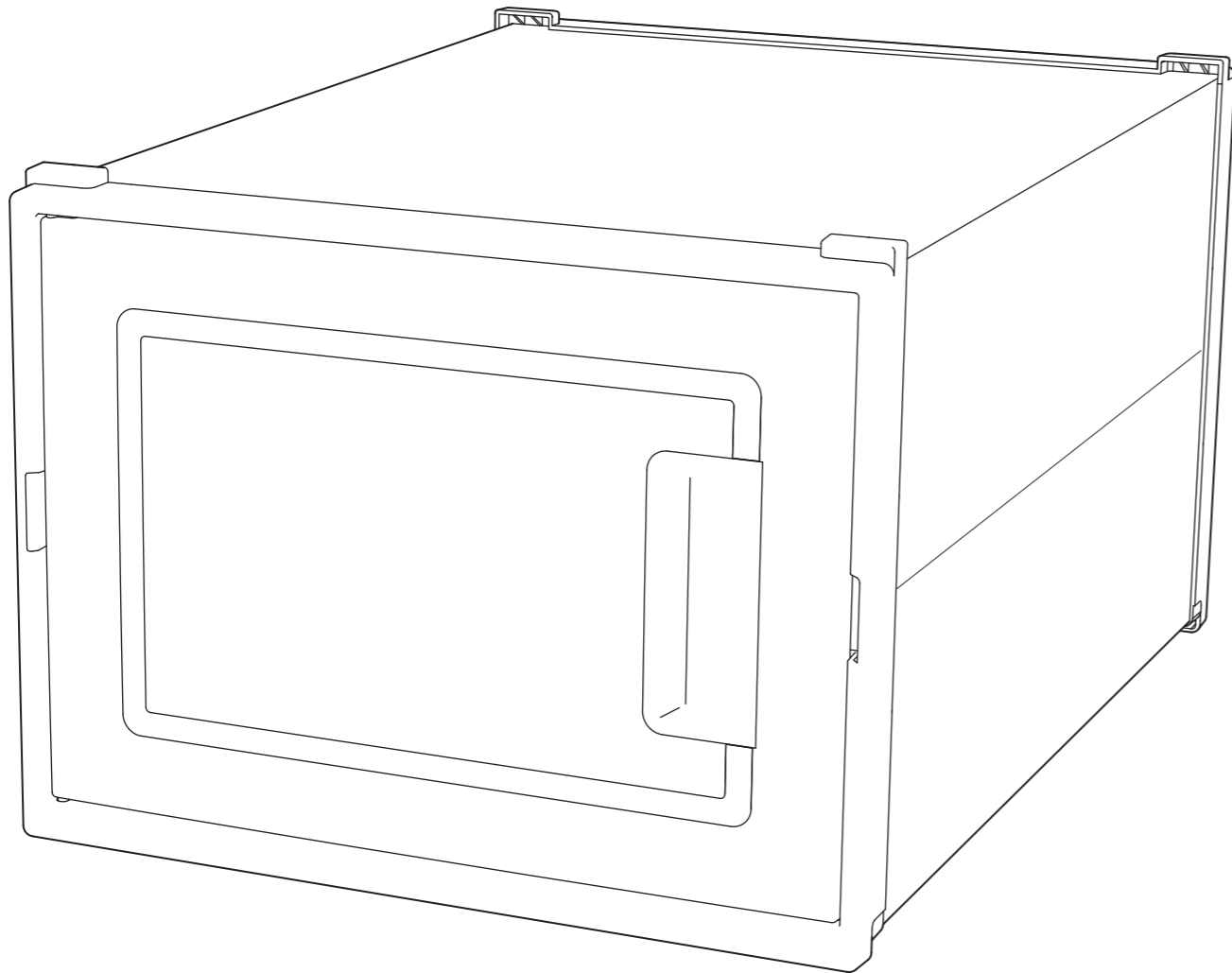
Set both pieces facing the same direction, either upward or downward.

ASSEMBLY INSTRUCTIONS

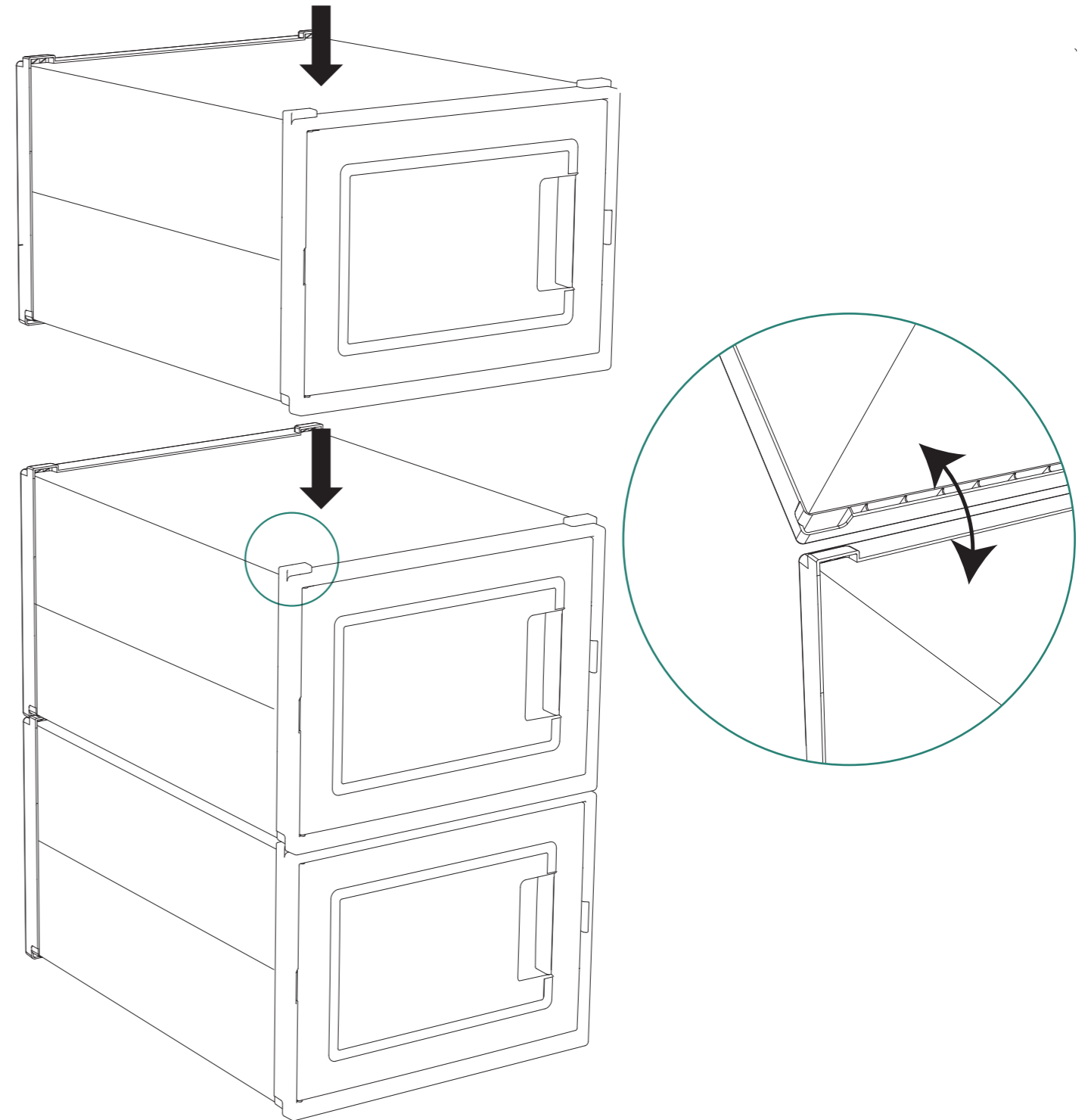


5

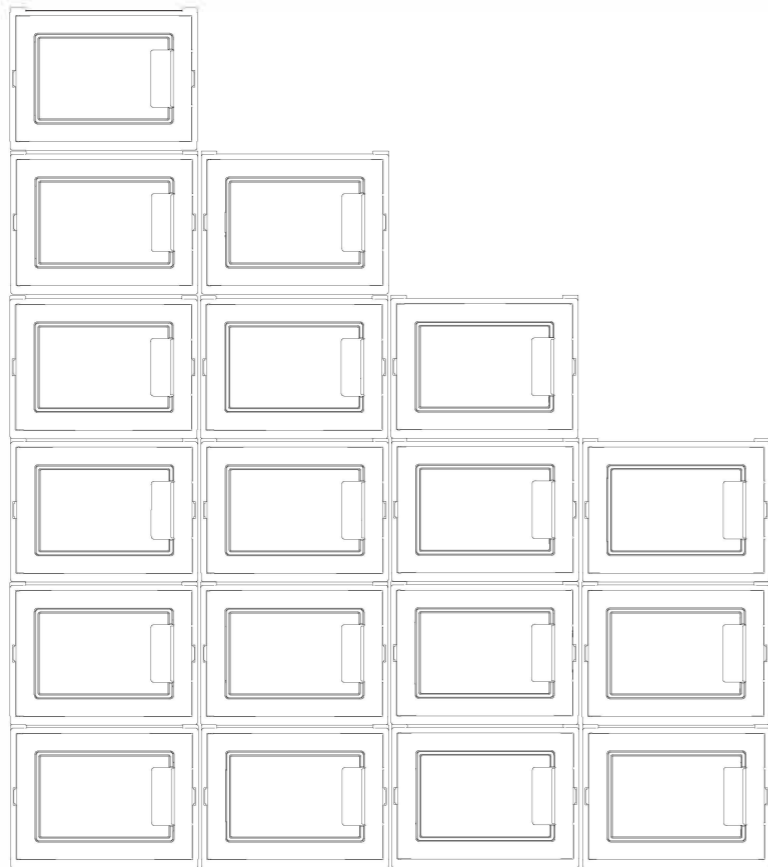
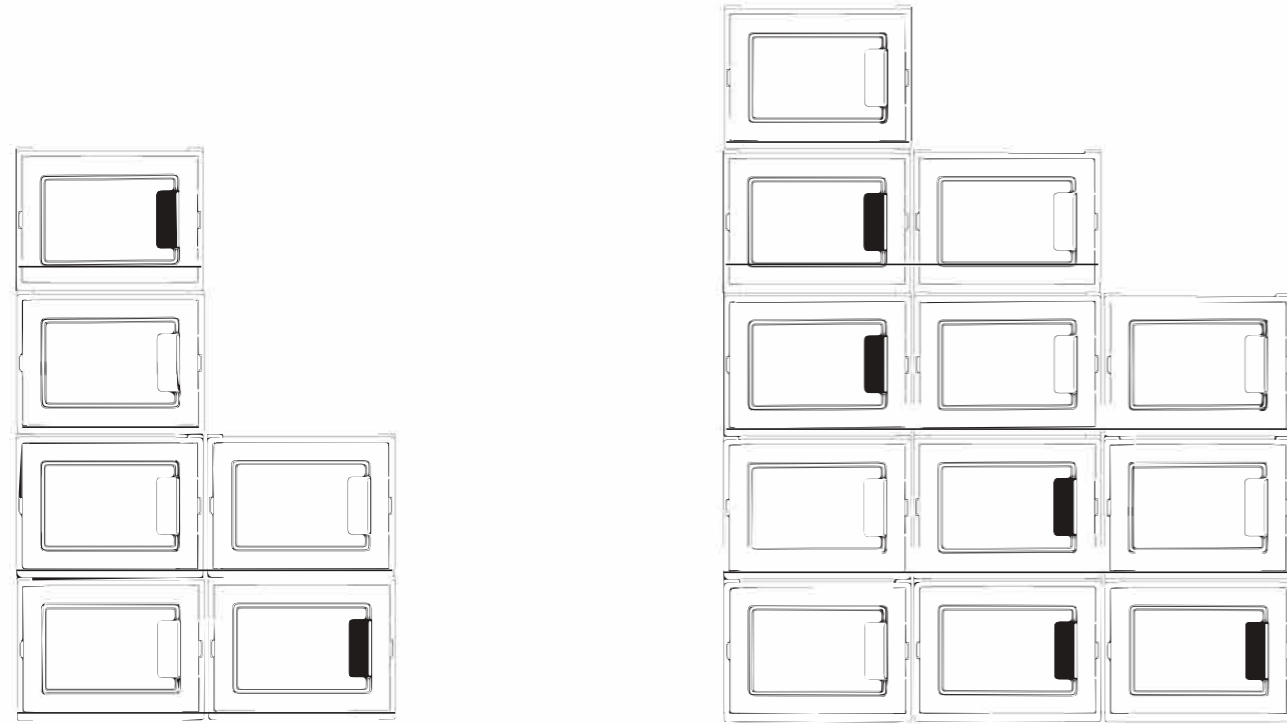
Assembly options



Installation Completed



ASSEMBLY INSTRUCTIONS



ASSEMBLY INSTRUCTIONS

Easy to disassemble

