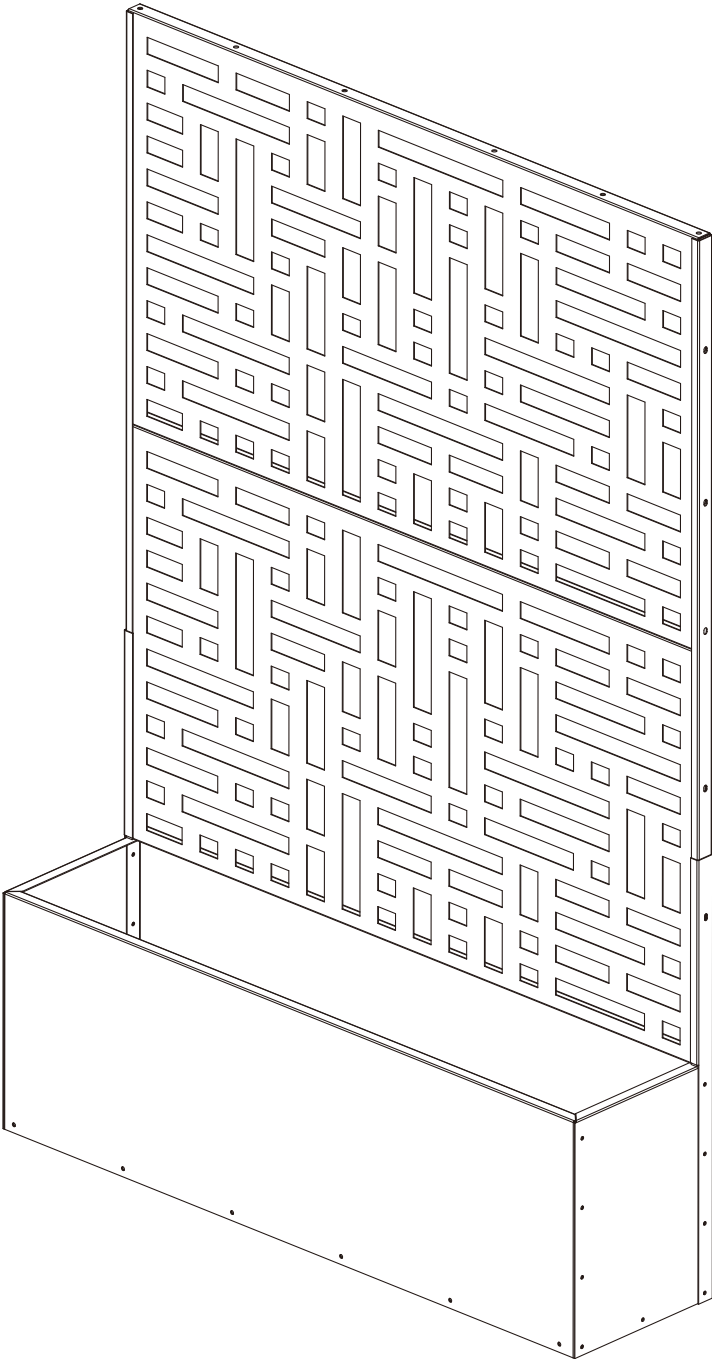


OUTDOOR PRIVACY SCREEN

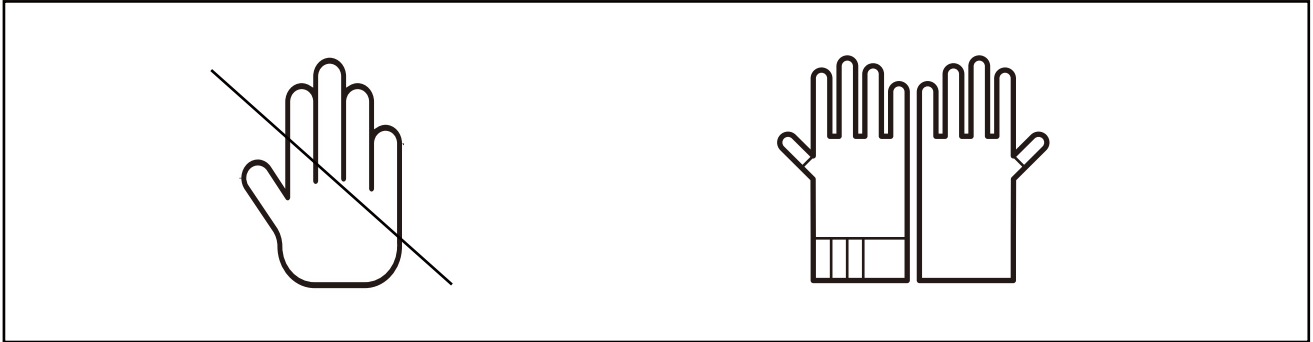




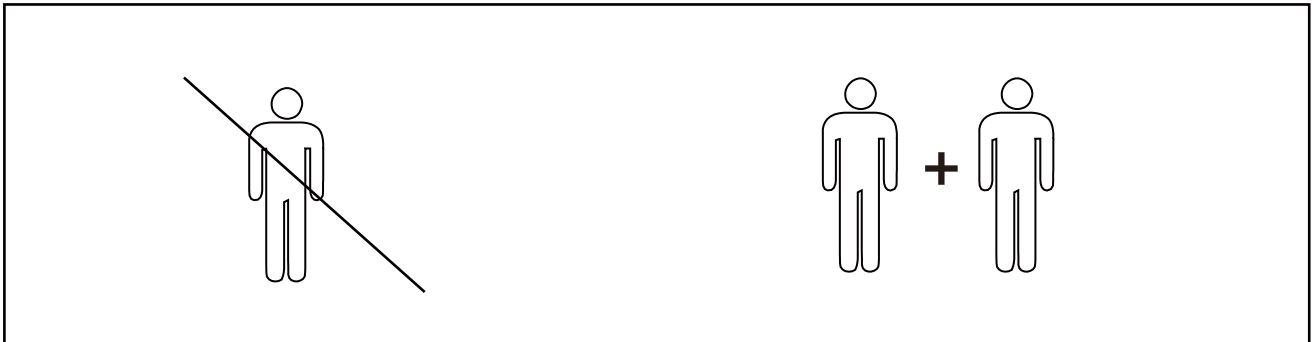
If the privacy screen will be used in a strong wind area, we highly recommend you using four Hex-Head Sleeve Anchors to fix the privacy screen on solid ground.

Before assembling, we recommend:

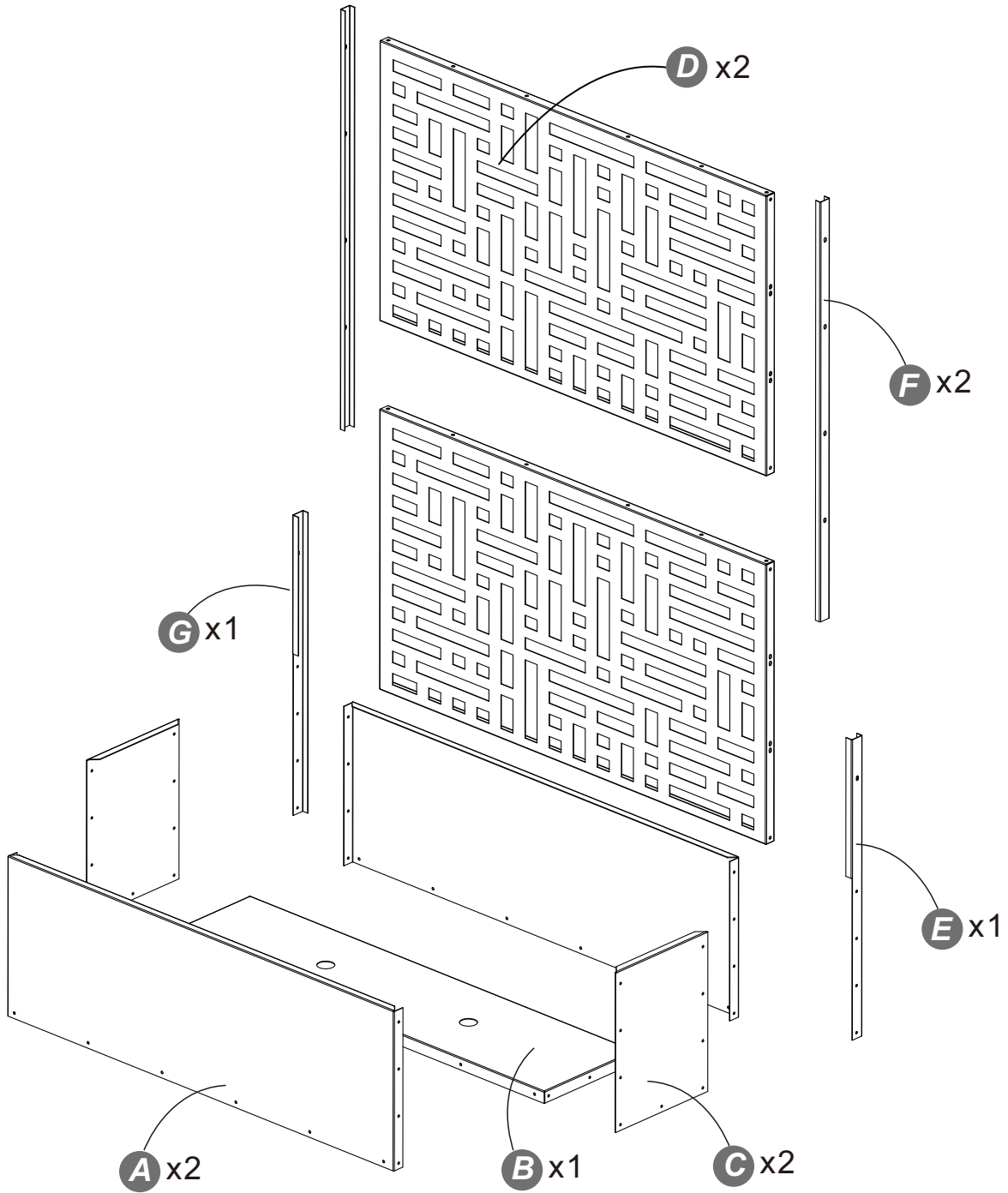
1. Wear Gloves.

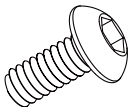
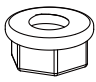


2. Ask for a Helping Hand.





PART LIST

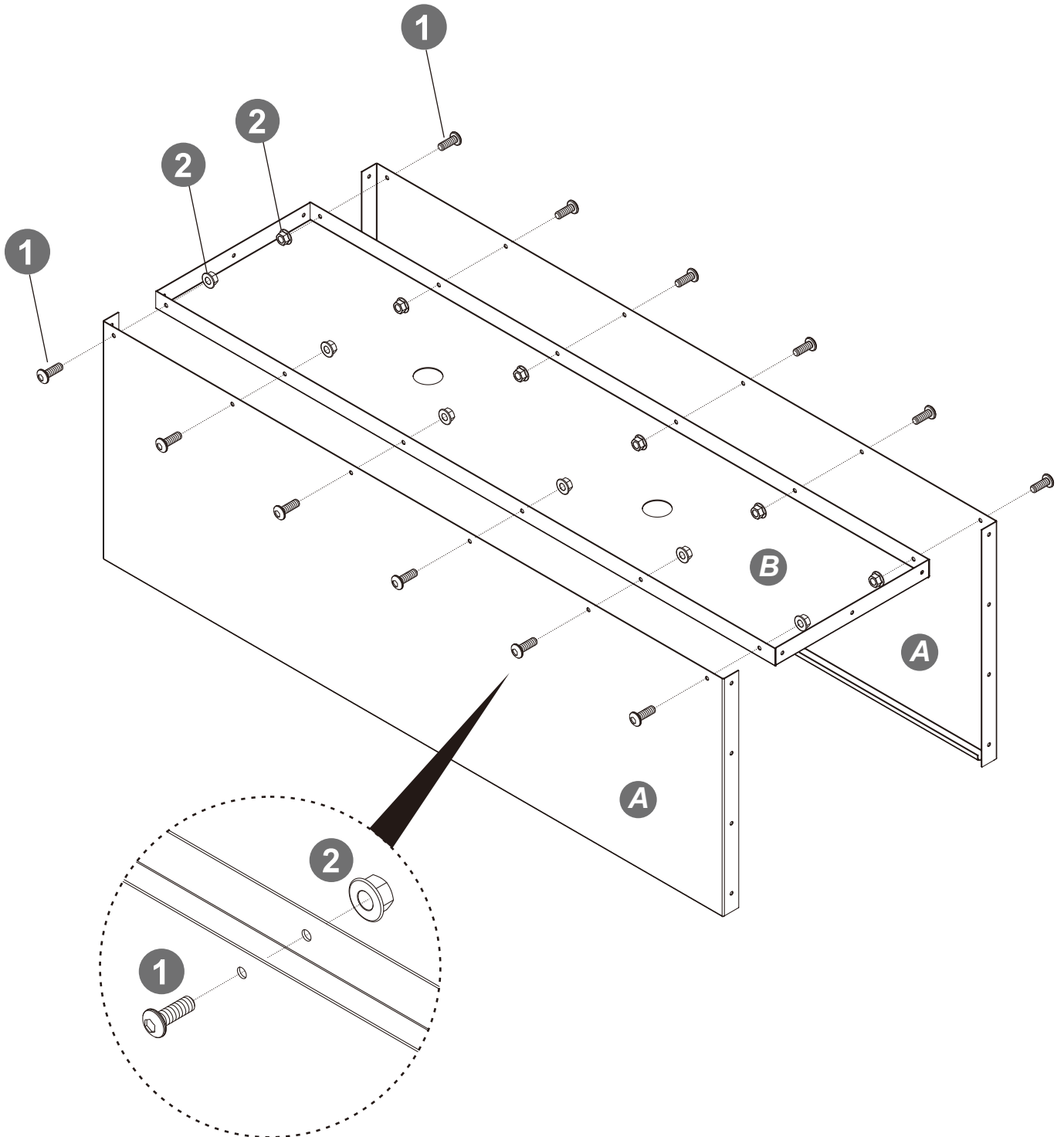


<p>1</p>  <p>M6*10MM</p> <p>x44</p>	<p>2</p>  <p>M6</p> <p>x44</p>
---	--

STEP

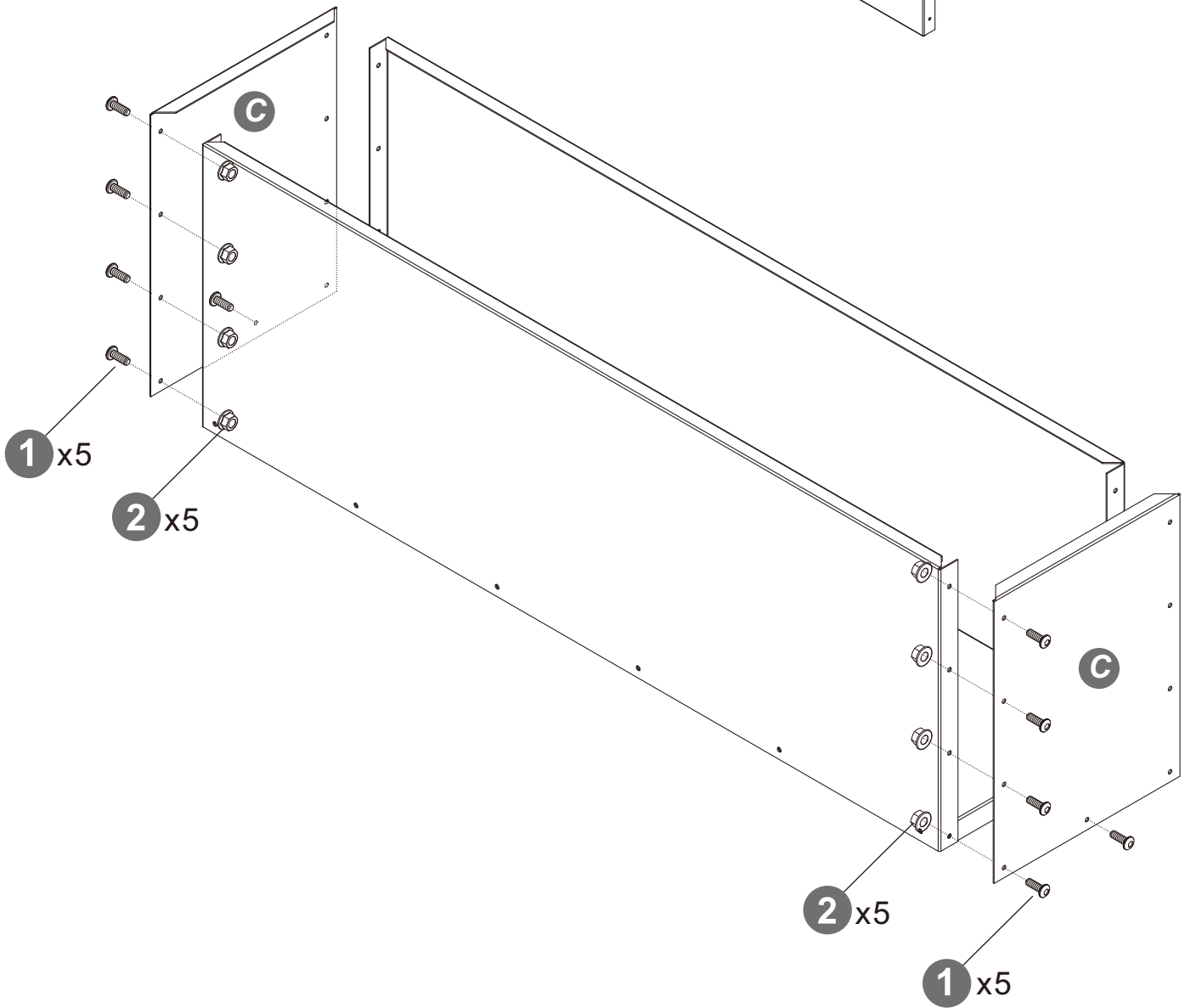
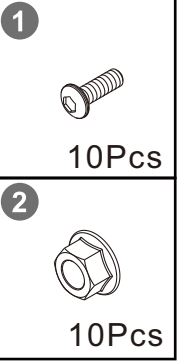
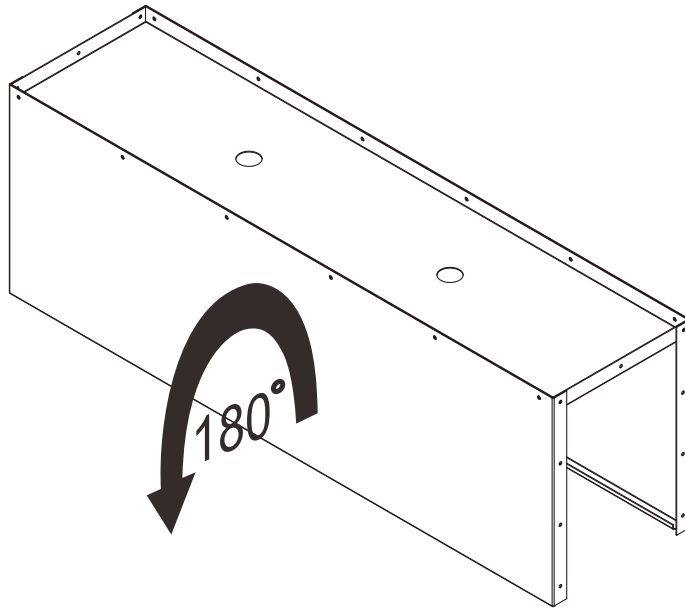
1

1	
	12Pcs
2	
	12Pcs



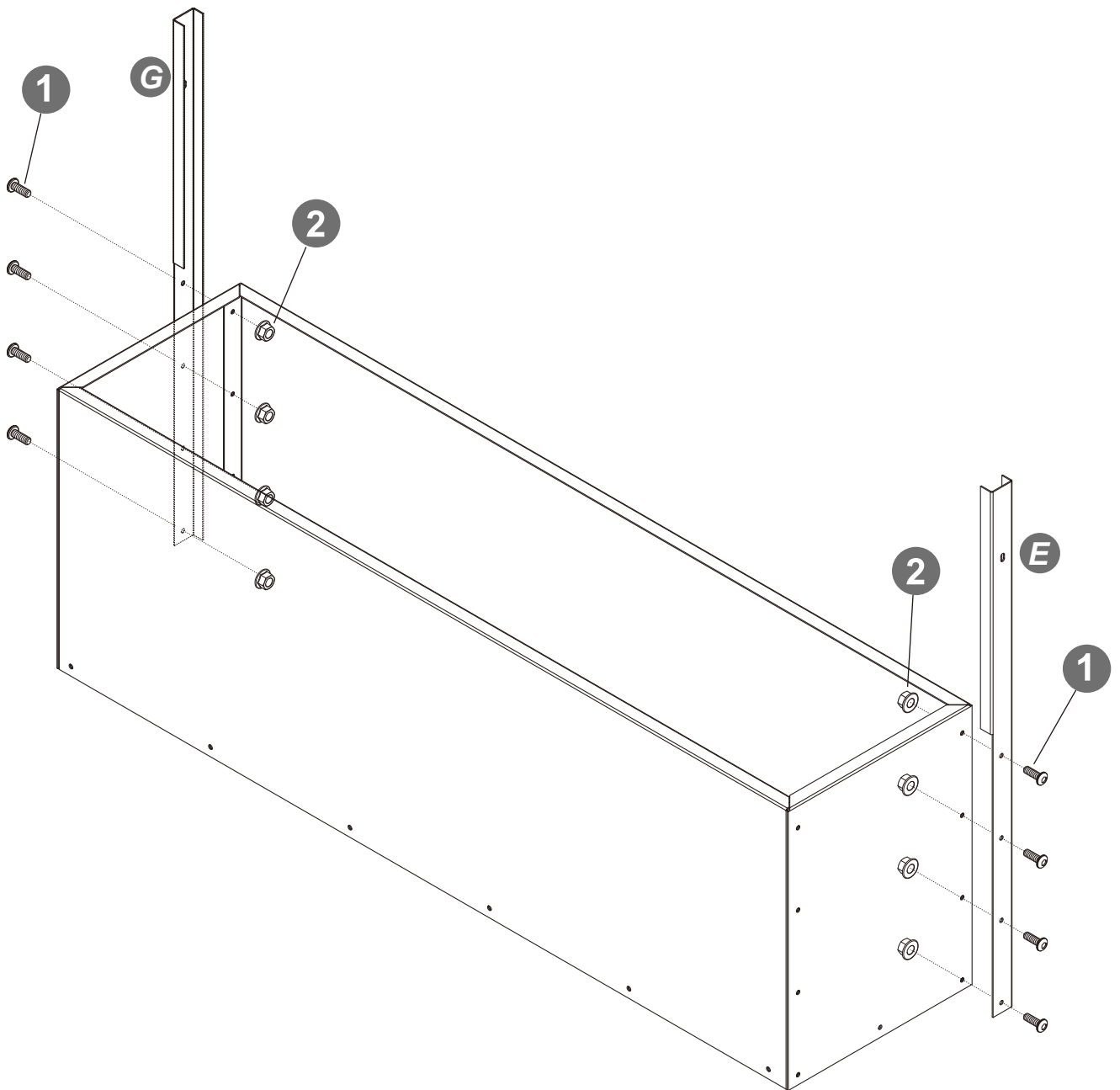
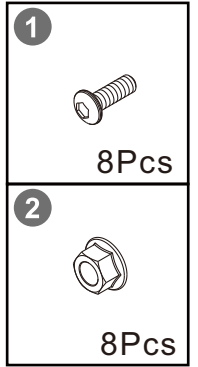
STEP

2



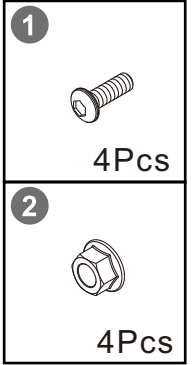
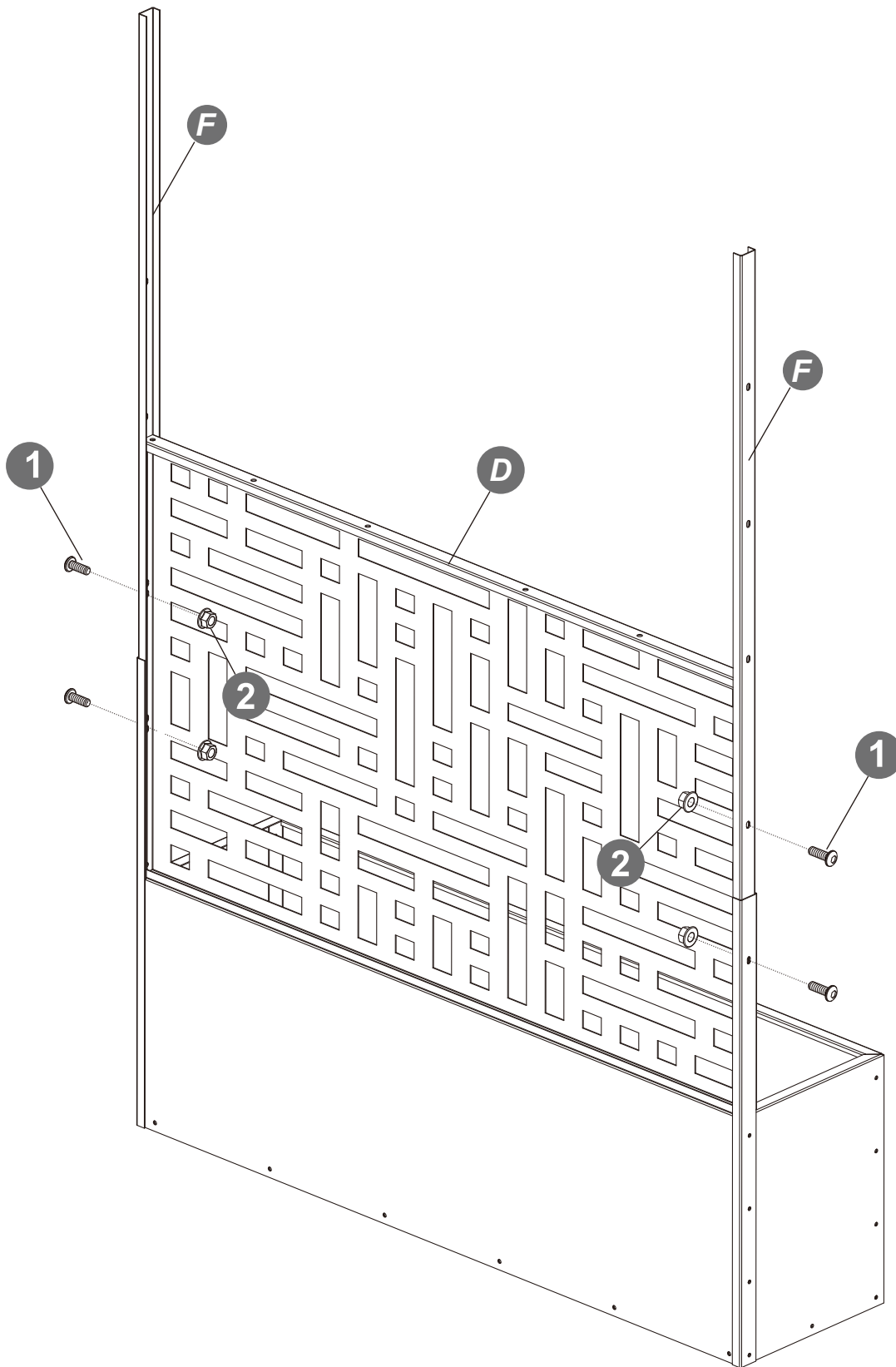
STEP

3



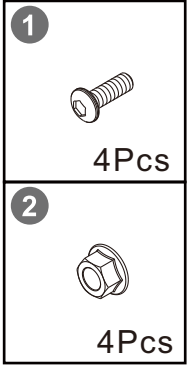
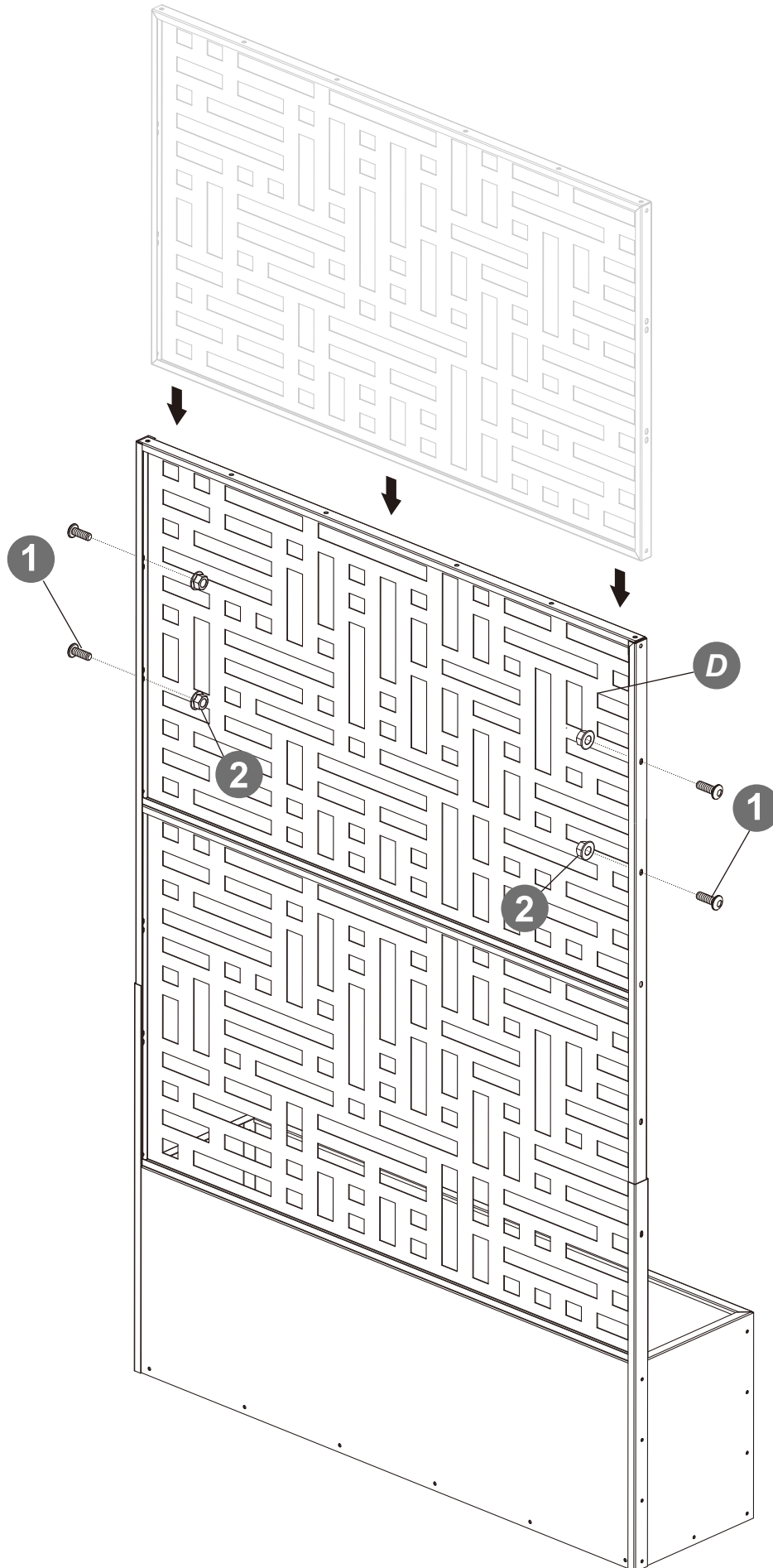
STEP

4



STEP

5



STEP

6

