


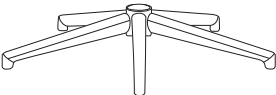




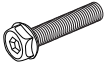
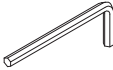
## KF.Y1058B Assembly Manual

### Counter & Bar Height Swivel Stool

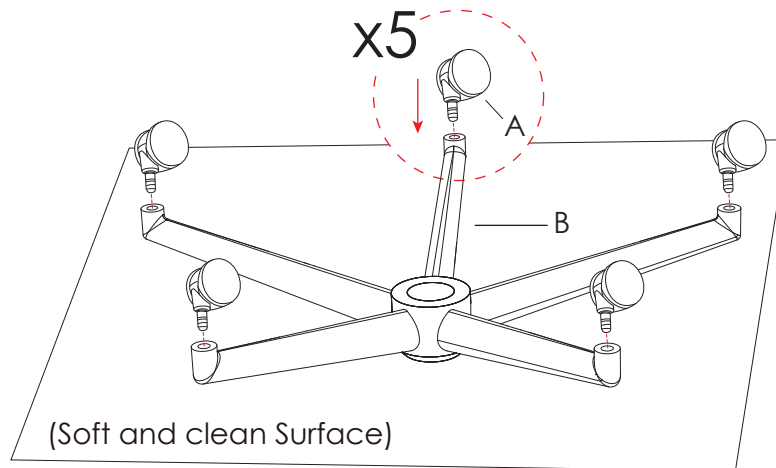


#### CAUTION

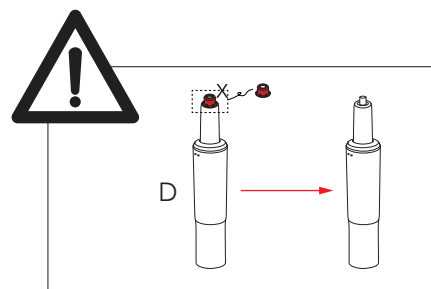
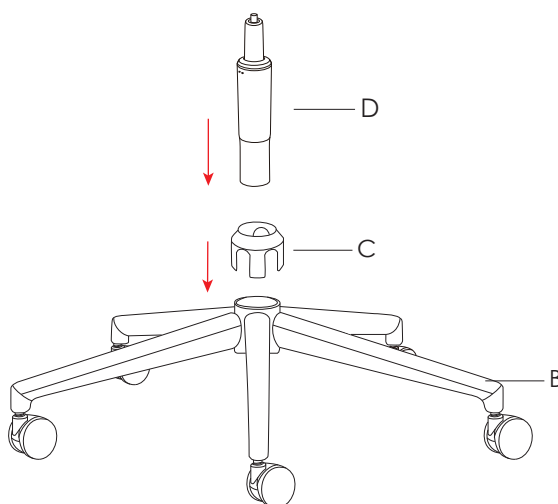
THIS ASSEMBLY MANUAL CONTAINS IMPORTANT SAFETY INFORMATION.  
PLEASE READ AND KEEP FOR FUTURE REFERENCE.

<p><b>Ax5</b></p> 	<p><b>Bx1</b></p> 	<p><b>Cx1</b></p> 
<p><b>Dx1</b></p> 	<p><b>Ex1</b></p> 	<p><b>F x1</b></p> 
<p><b>H1 x4</b></p> 	<p><b>T1 x1</b></p> 	

- 1 (1) The STAR BASE (B) is located in soft pack underneath the SEAT BUCKET (F). Carefully remove the STAR BASE(B) from the carton.  
(2) Insert the CASTERS (A) in the holes of the STAR BASE (B).

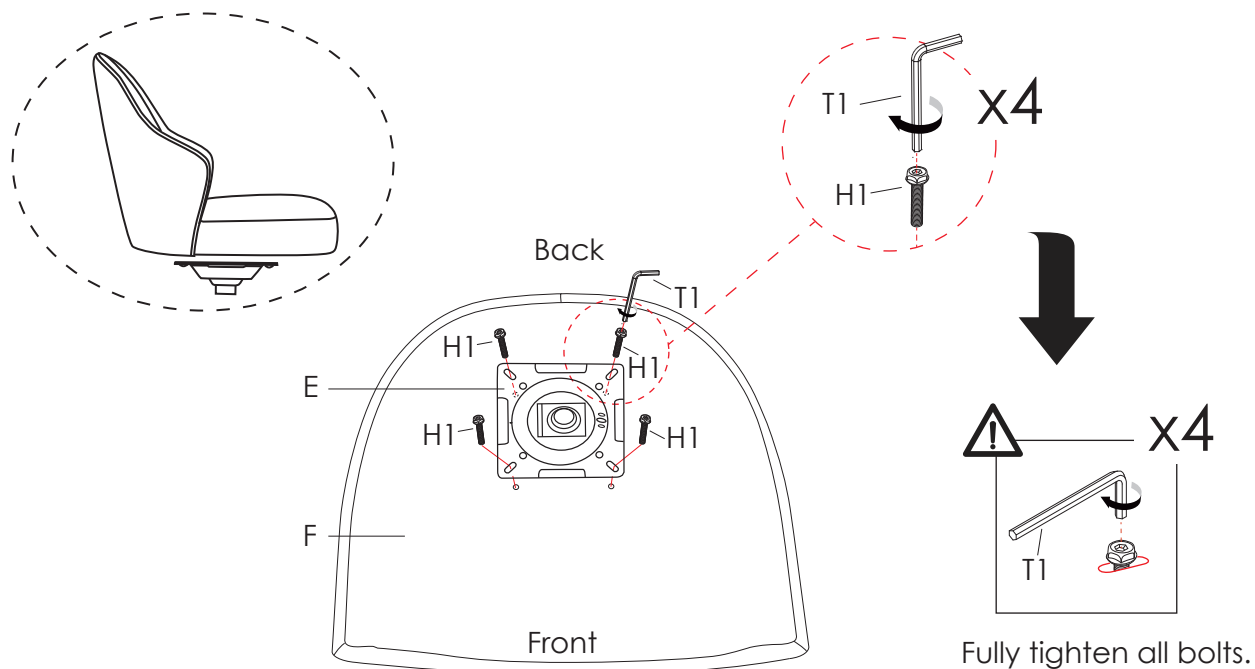


- 2 (1) Remove the top red cap from the Gas Lift (D) before assembling.  
(2) Slide the METAL COVER (C) over the top of STAR BASE (B).  
(3) Insert the Gas Lift (D) into the center hole of the 5 Star Base (B).

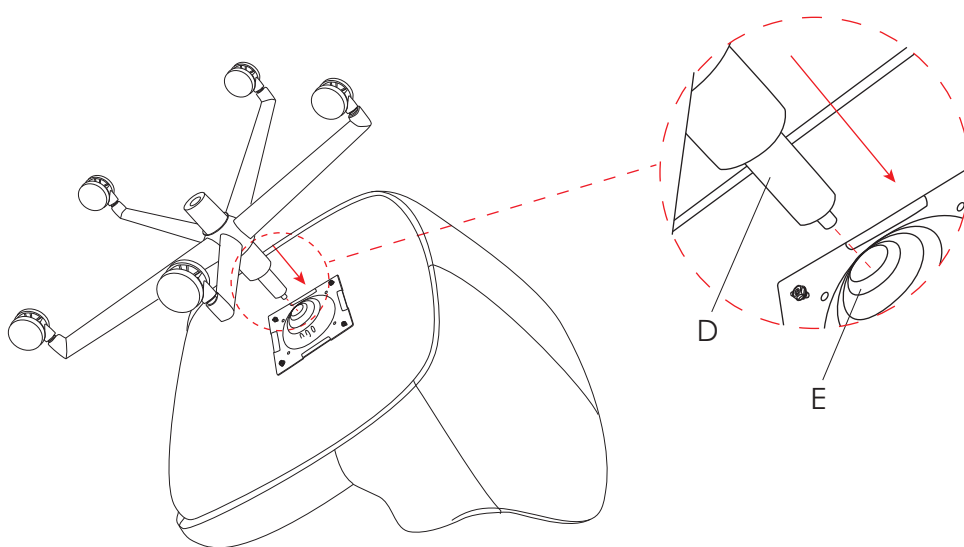


NOTE: PLEASE REMOVE THE TOP RED CAP FROM THE GAS LIFT (D) BEFORE ASSEMBLING

- 3** Attach SEAT PLATE (E) to the bottom of SEAT BUCKET (F) with BOLTS (H1) .



- 4** Insert & place the GAS LIFT (D) onto the bottom of entire pre-assembled chair seat to complete assembly. Be sure to tighten all connections before use.



- 5** Flip over the chair. Completed.

