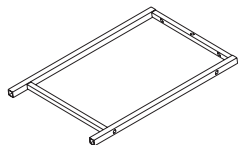


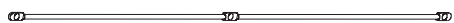
A x1



B x 2



C x 1



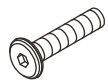
D x 2



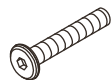
E x 4



F x4



G x4
(1/4 x 28mm)



H x2
(1/4 x 38mm)



I x 5
(1/4x12mm)

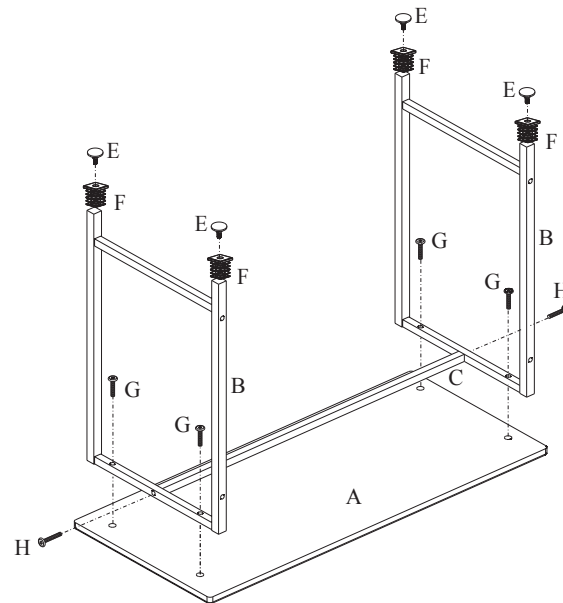


J x1

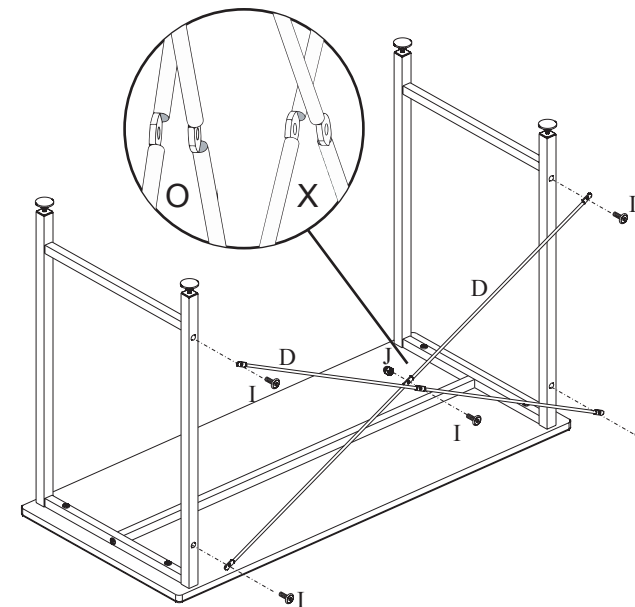


K x1

STEP1.



STEP2.



FINISH FIGURE

