

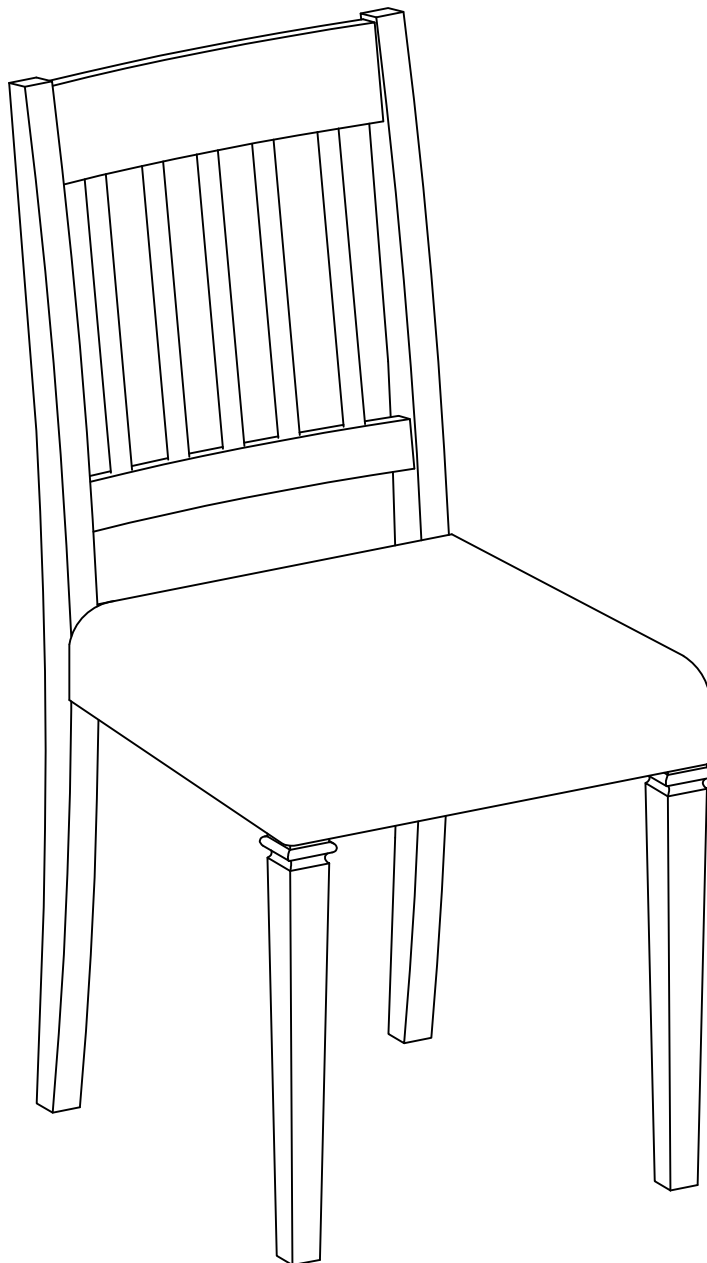
# ASSEMBLY INSTRUCTIONS

INSTRUCTIONS DE MONTAGE

## DINING CHAIR

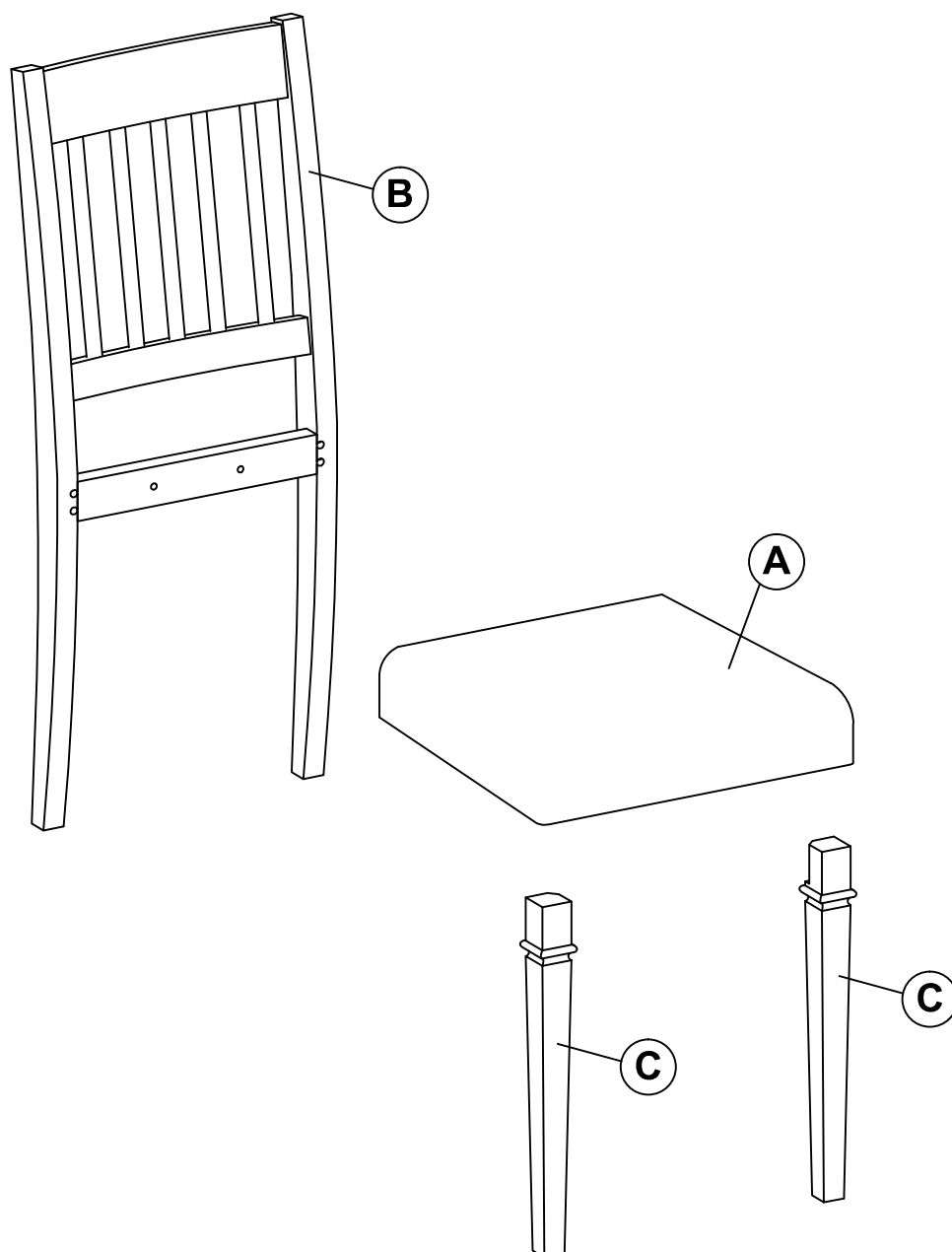
ENSEMBLE DE À MANGER

**N752P312415**



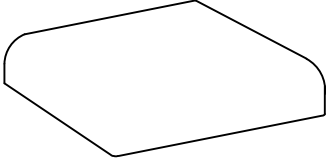
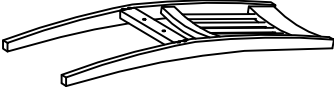
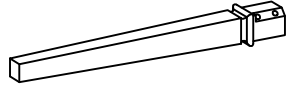
# DETAIL VIEW

Vue Détaillée









## Part List For One Chair:

Liste des pièces

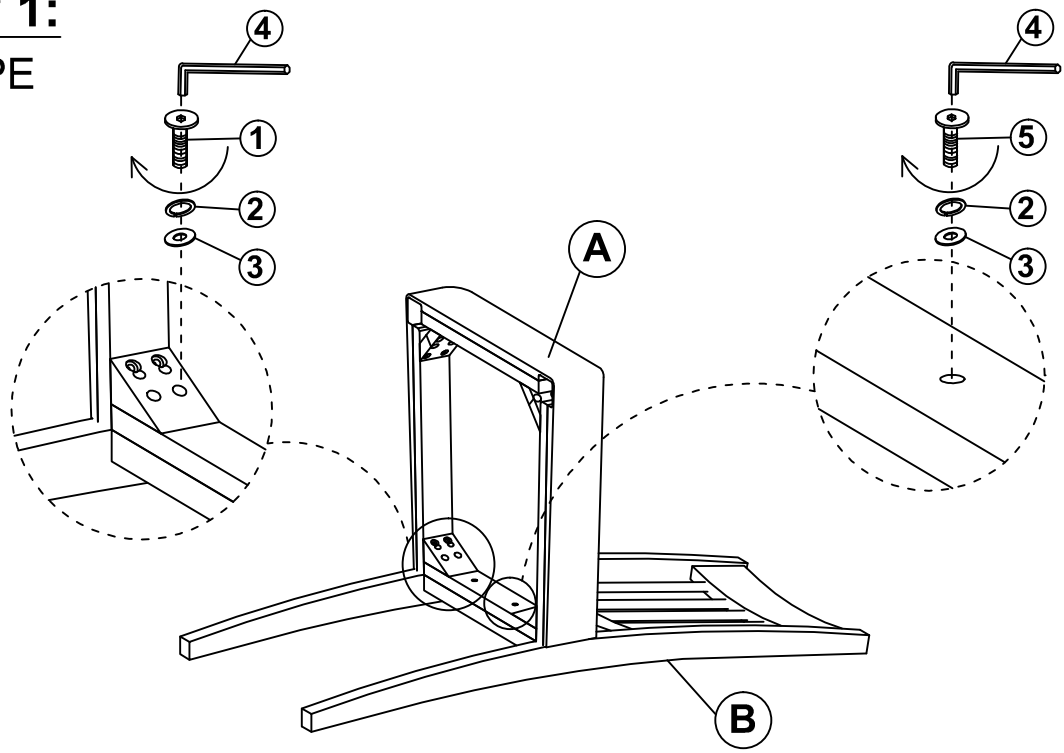
<p><b>A</b> 1PC</p>  <p><b>Chair top</b> Dessus de la chair</p>	<p><b>B</b> 1PC</p>  <p><b>Chair Back</b> Dossier de chaise</p>	<p><b>C</b> 2PCS</p>  <p><b>Front Leg</b> Jambe avant</p>
--	--	--

## Hardware List For One Chair:

Liste des matériel

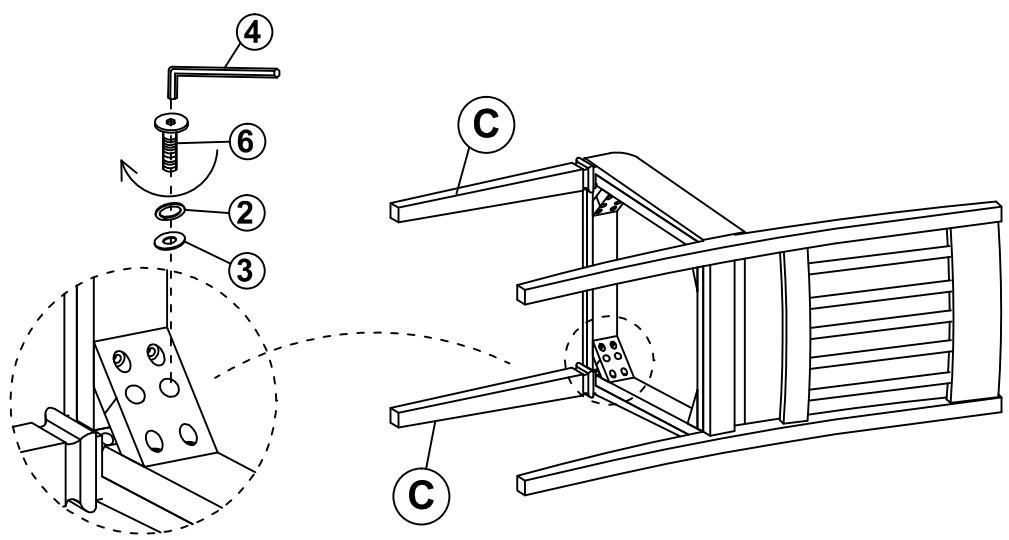
<p>① x 4PCS</p>  <p><b>Ø1/4 x 75mm</b></p>	<p>② x 10PCS</p>  <p><b>Ø1/4 x 13mm</b></p>	<p>③ x 10PCS</p>  <p><b>Ø1/4 x 19mm</b></p>	<p>④ x 1PC</p>  <p><b>4mm</b></p>
<p><b>BOLT</b> BouLon</p>	<p><b>Spring Washer</b> Rondelle elastique</p>	<p><b>Flat Washer</b> Rondelle plates</p>	<p><b>Allen key</b> Clé Allen</p>
<p>⑤ x 2PCS</p>  <p><b>Ø1/4 x 40mm</b></p>	<p>⑥ x 4PCS</p>  <p><b>Ø1/4 x 60mm</b></p>		
<p><b>BOLT</b> BouLon</p>	<p><b>BOLT</b> BouLon</p>		

**STEP 1:**  
ÉTAPE



①	Ø1/4 x 75mm		4PCS	③	Ø1/4 x 19mm		6PCS
②	Ø1/4 x 13mm		6PCS	④	4mm		1PC
⑤	Ø1/4 x 40mm		2PCS				

**STEP 2:**  
ÉTAPE



⑥	Ø1/4 x 60mm		4PCS	③	Ø1/4 x 19mm		4PCS
②	Ø1/4 x 13mm		4PCS	④	4mm		1PC

**STEP 3:**

ÉTAPE

Note: level it, and tighten all hardware.

