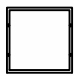



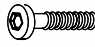



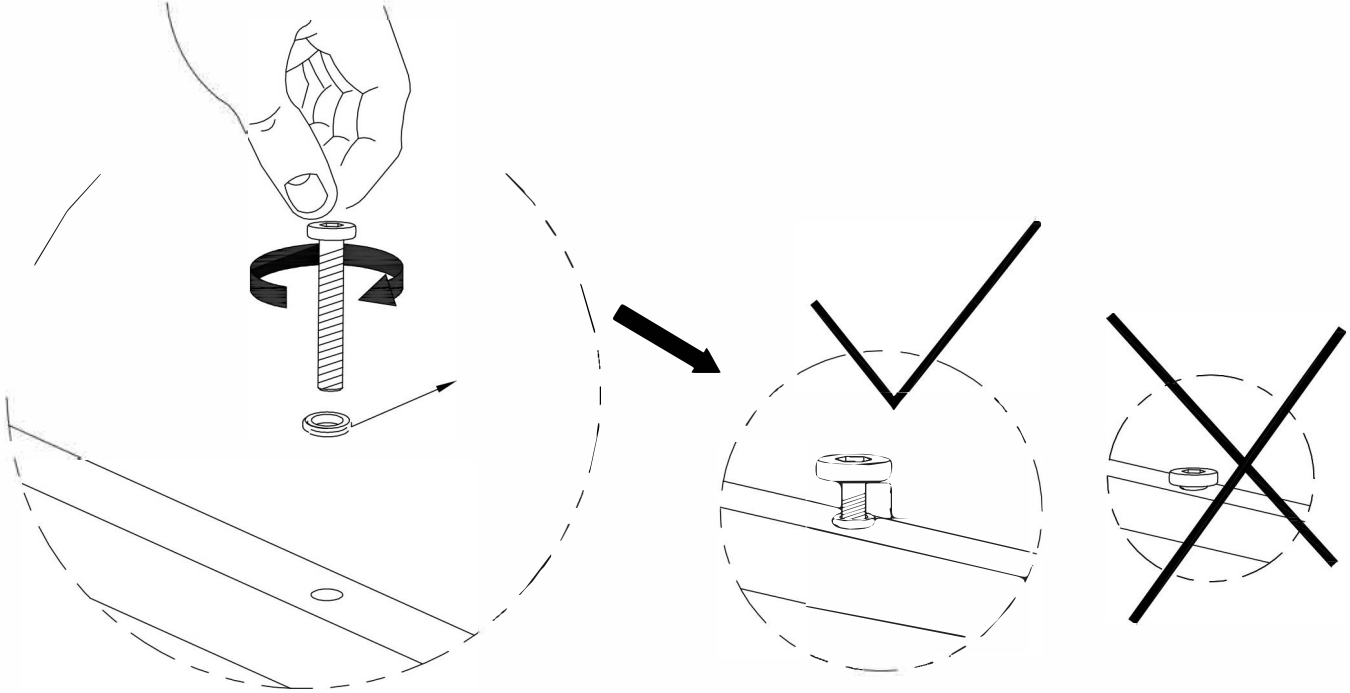
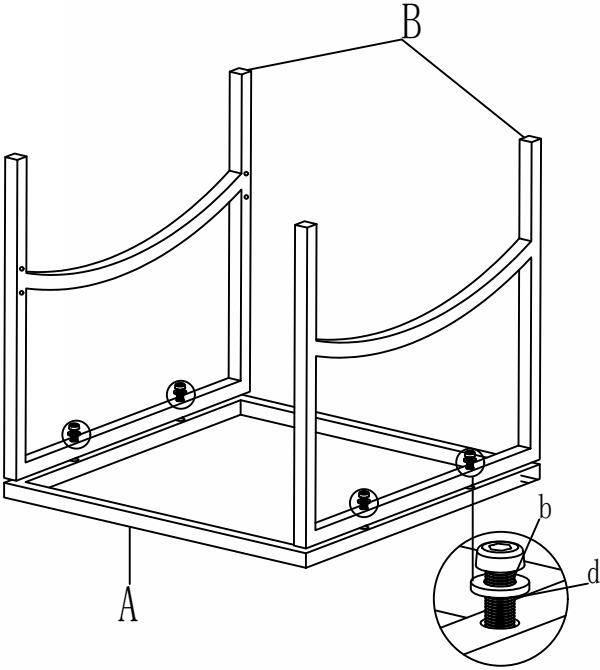


A			1
B			2
C			2
D			1

b		M6*30MM	4
c		M6*15MM	8
d		M6	12
e		M6	1

STEP 1

- A\*1
- B\*2
- b\*4
- d\*4



Do Not Tighten The Screws Completely .

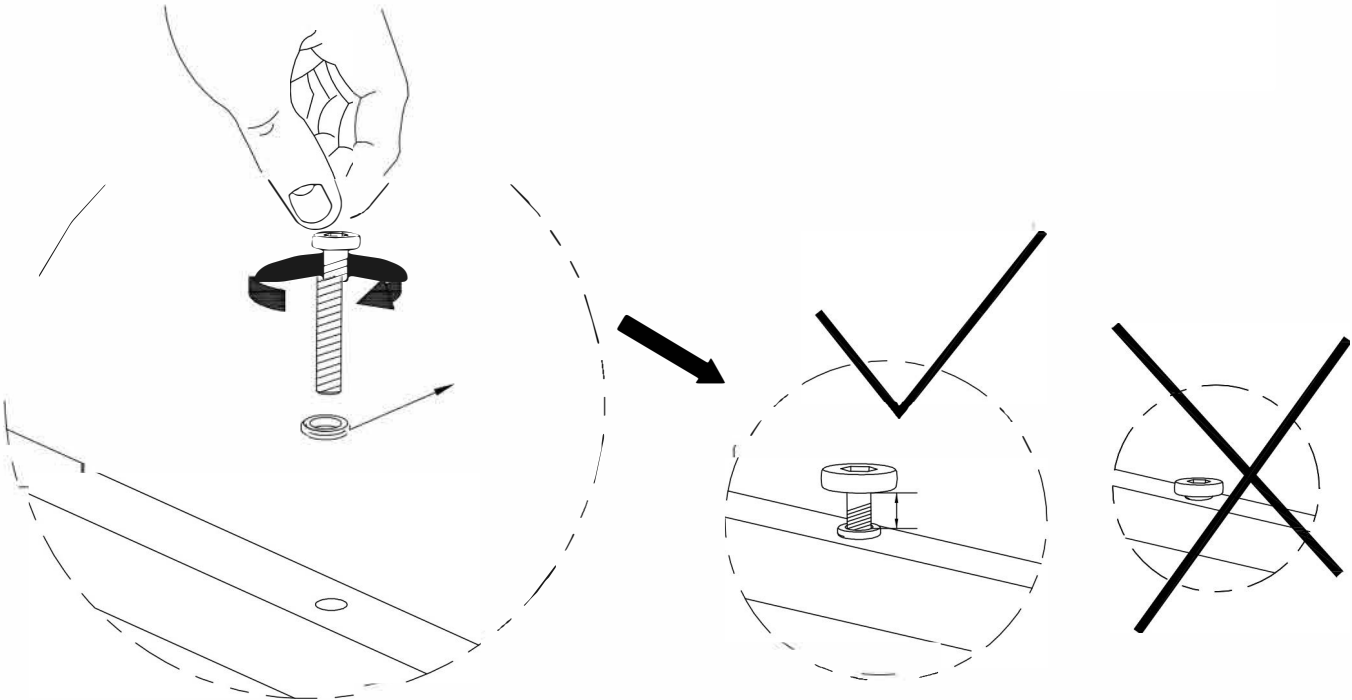
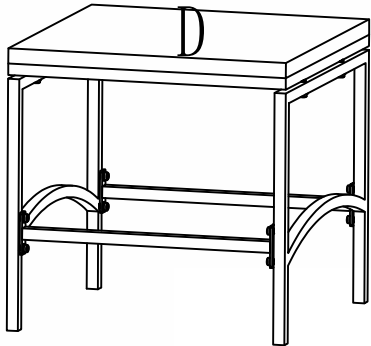
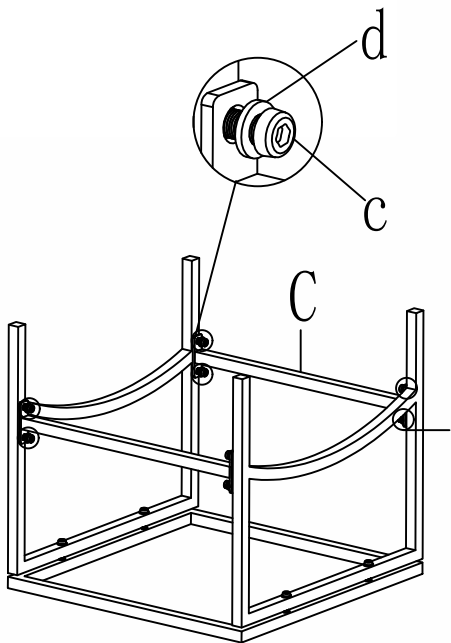
STEP 2

C\*2

D\*1

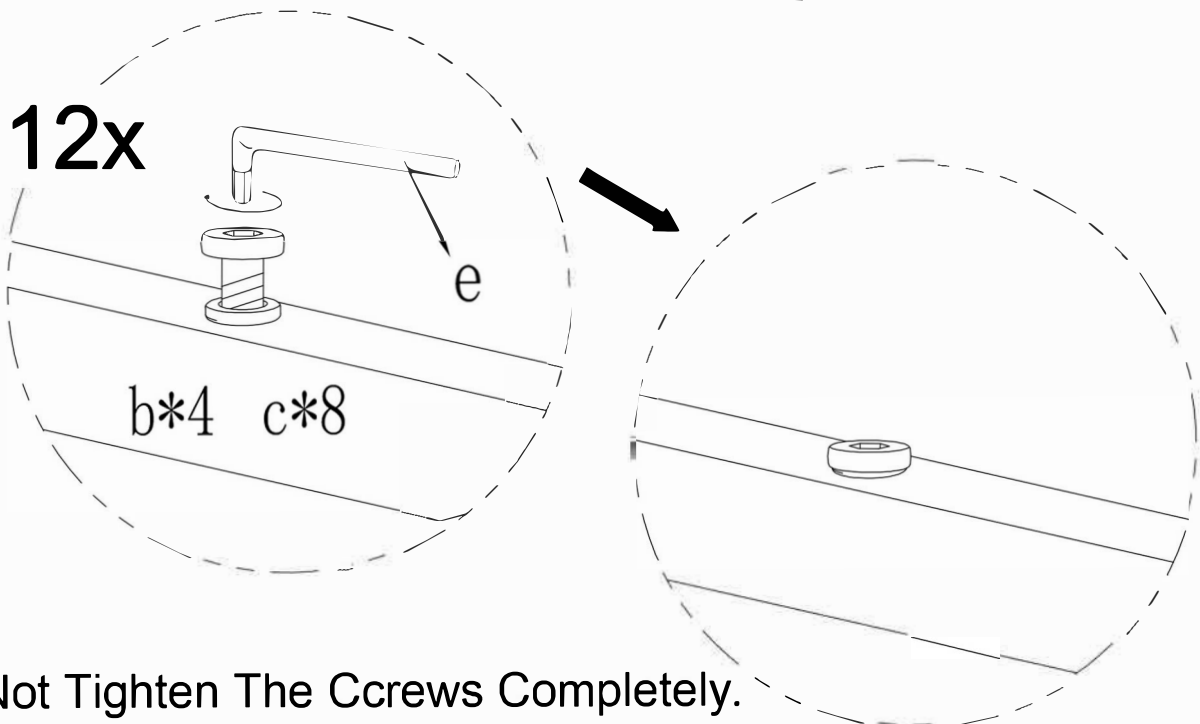
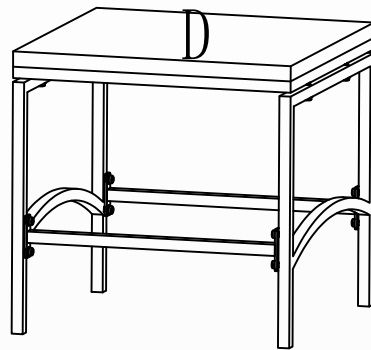
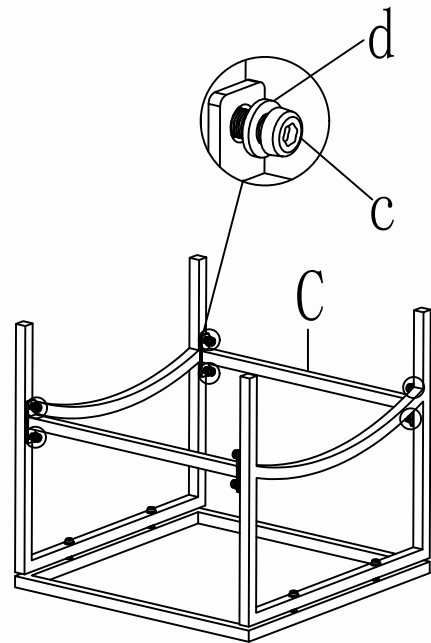
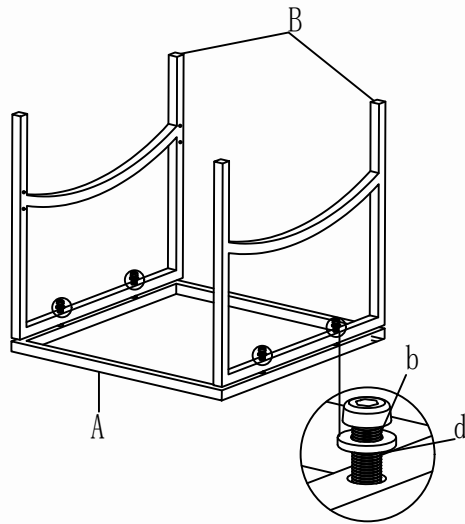
c\*8

d\*8

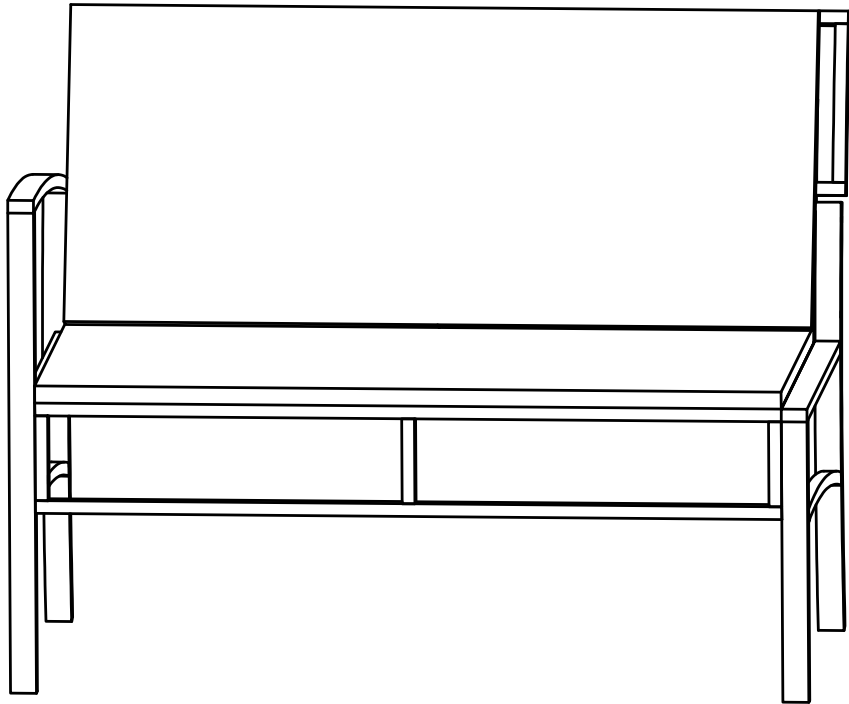







Do Not Tighten The Screws Completely.


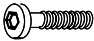


STEP 3



Do Not Tighten The Ccrews Completely.

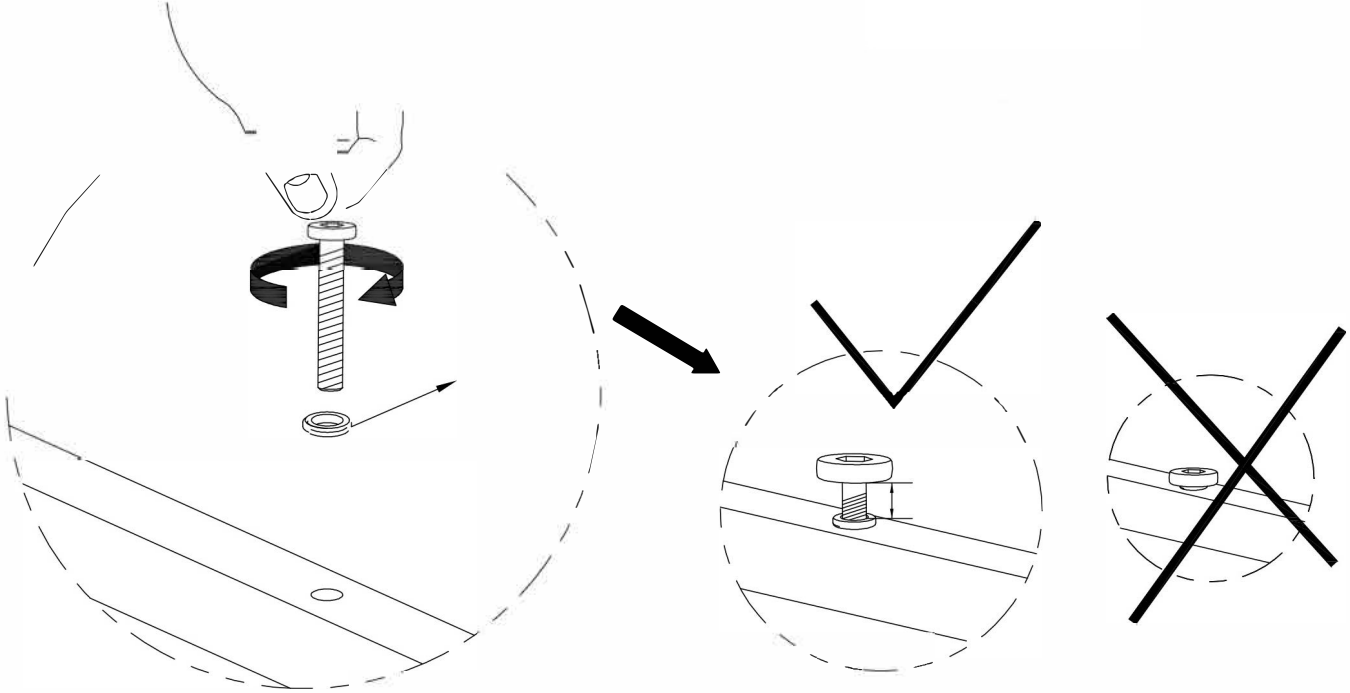
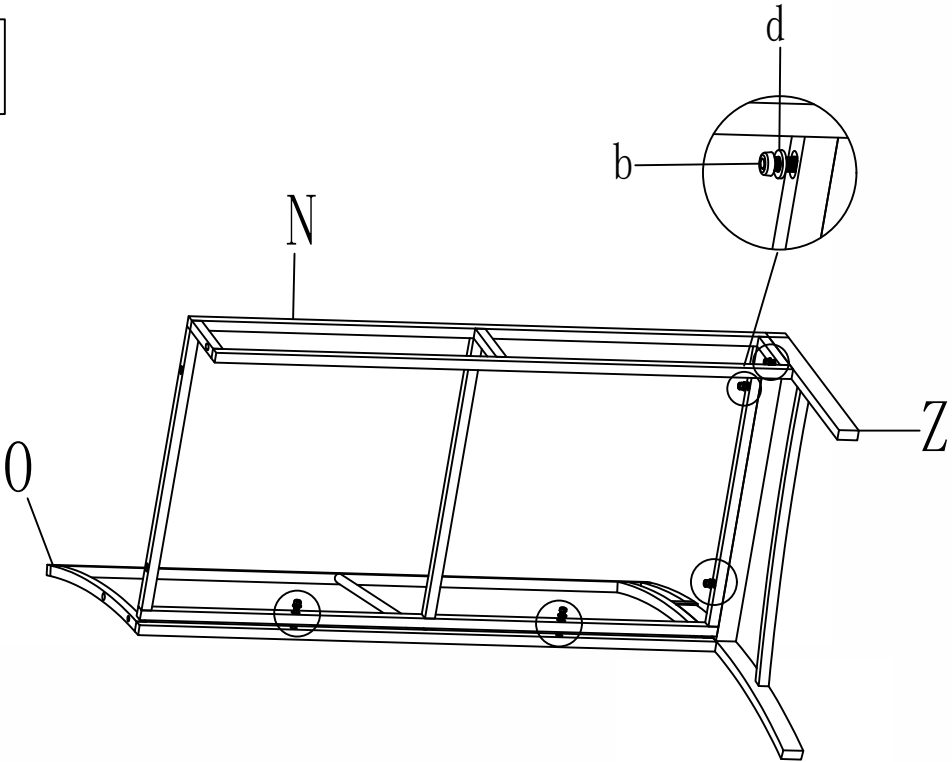


N			1
O			1
P			1
Z			1
L			1

a		M6*45MM	4
b		M6*30MM	8
d		M6	12
e		M6	1

STEP 1

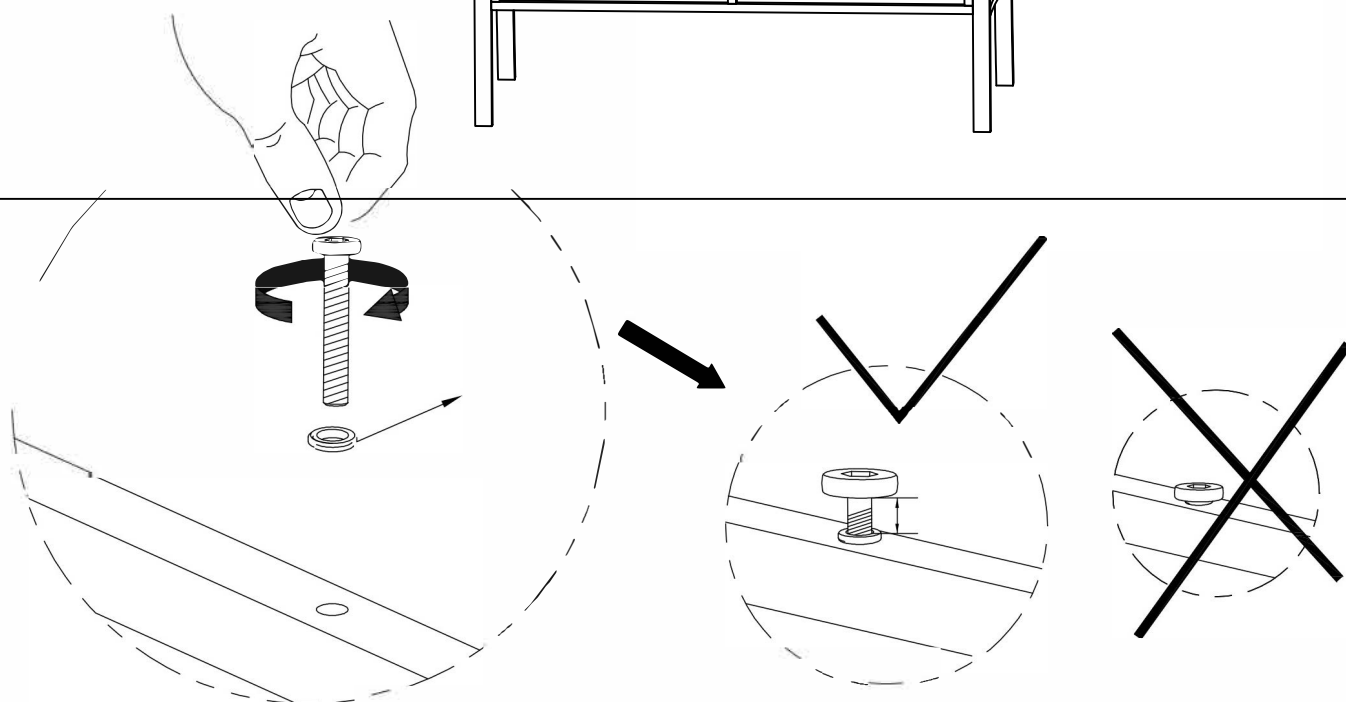
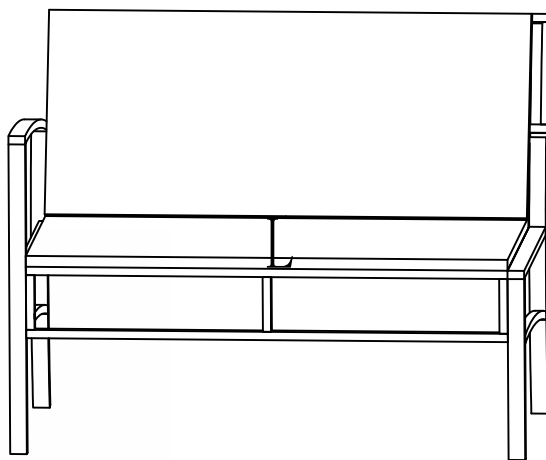
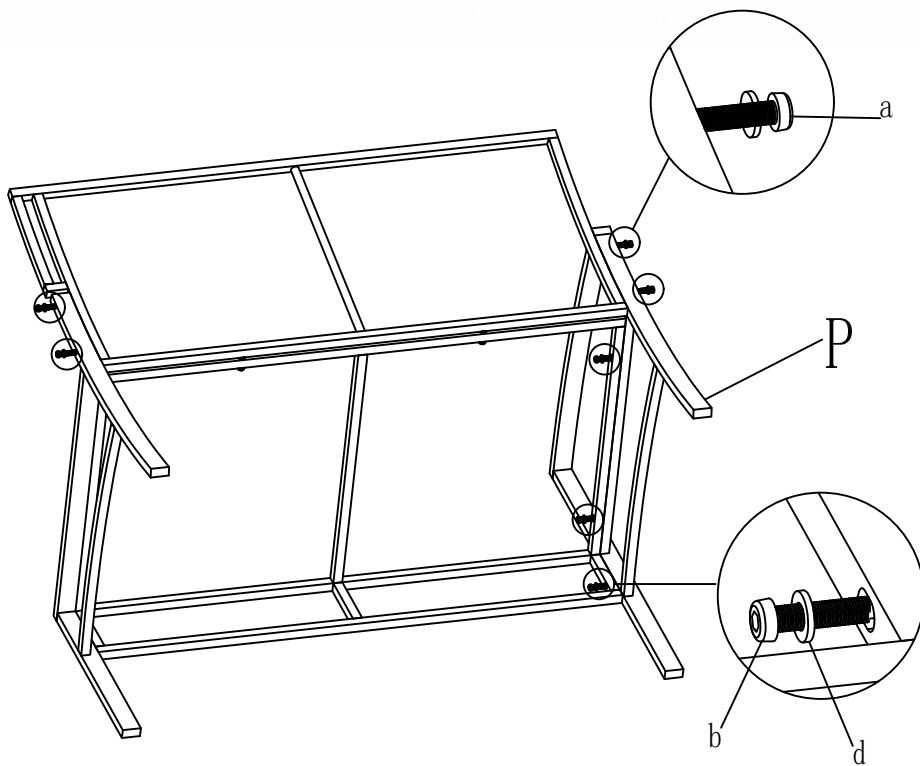
- N\*1
- O\*1
- Z\*1
- b\*5
- d\*5



Do Not Tighten The Screws Completely .

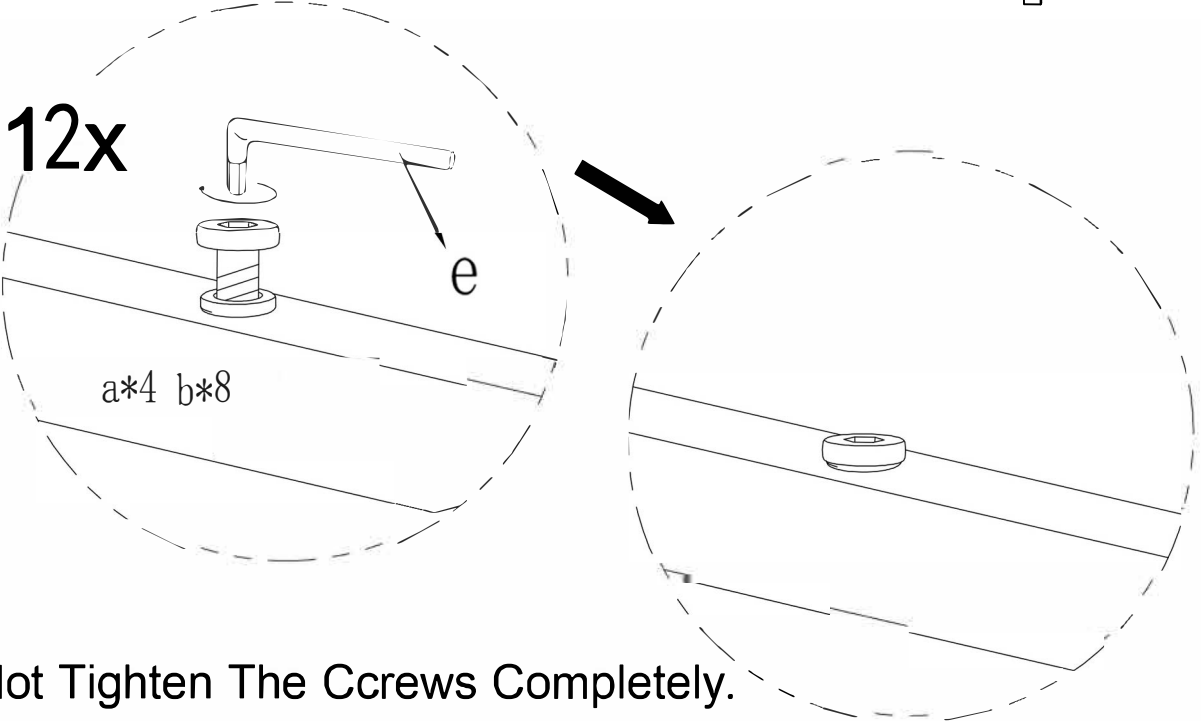
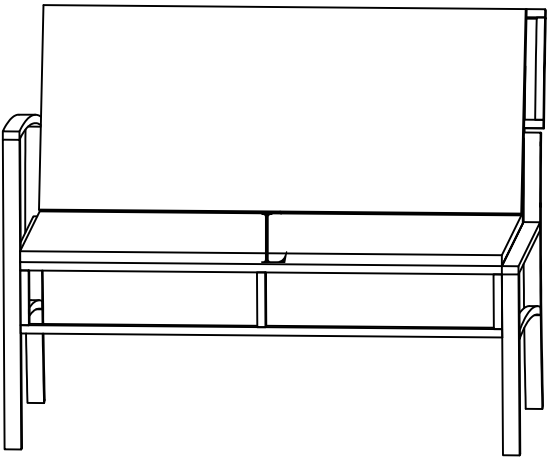
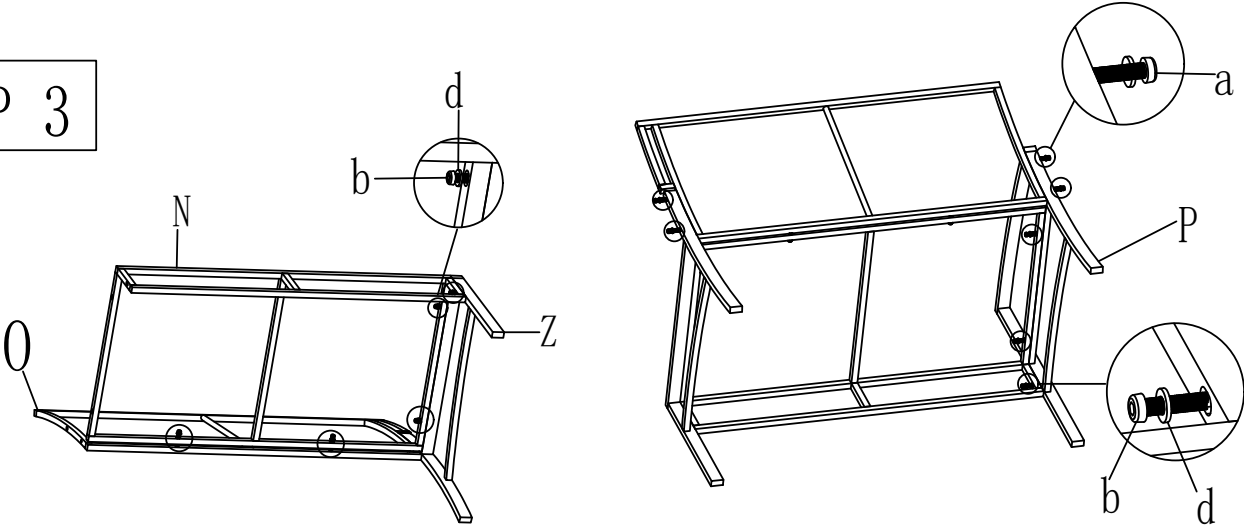
STEP 2

- P\*1
- a\*4
- b\*3
- d\*7
- L\*1

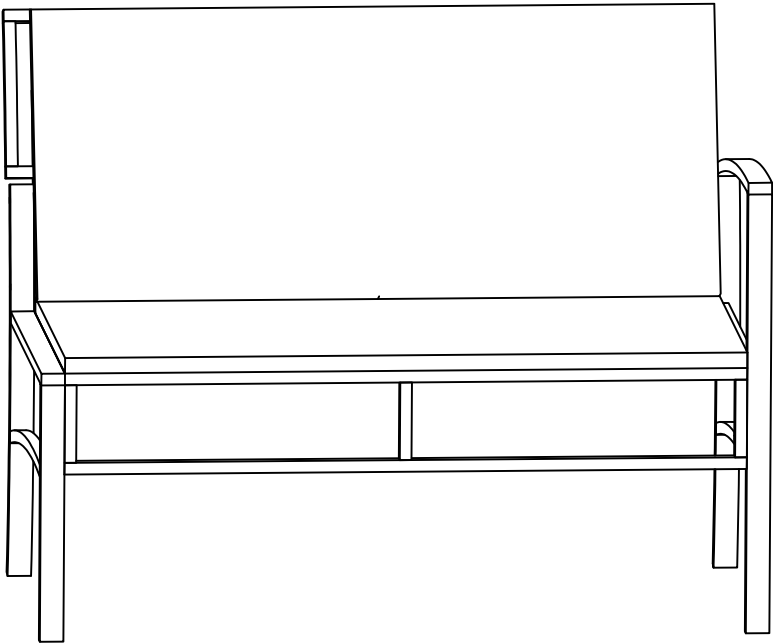







Do Not Tighten The Screws Completely.


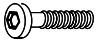


STEP 3



Do Not Tighten The Ccrews Completely.



N			1
I			1
J			1
K			1
L			1

a		M6*45MM	4
b		M6*30MM	8
d		M6	12
e		M6	1

STEP 1

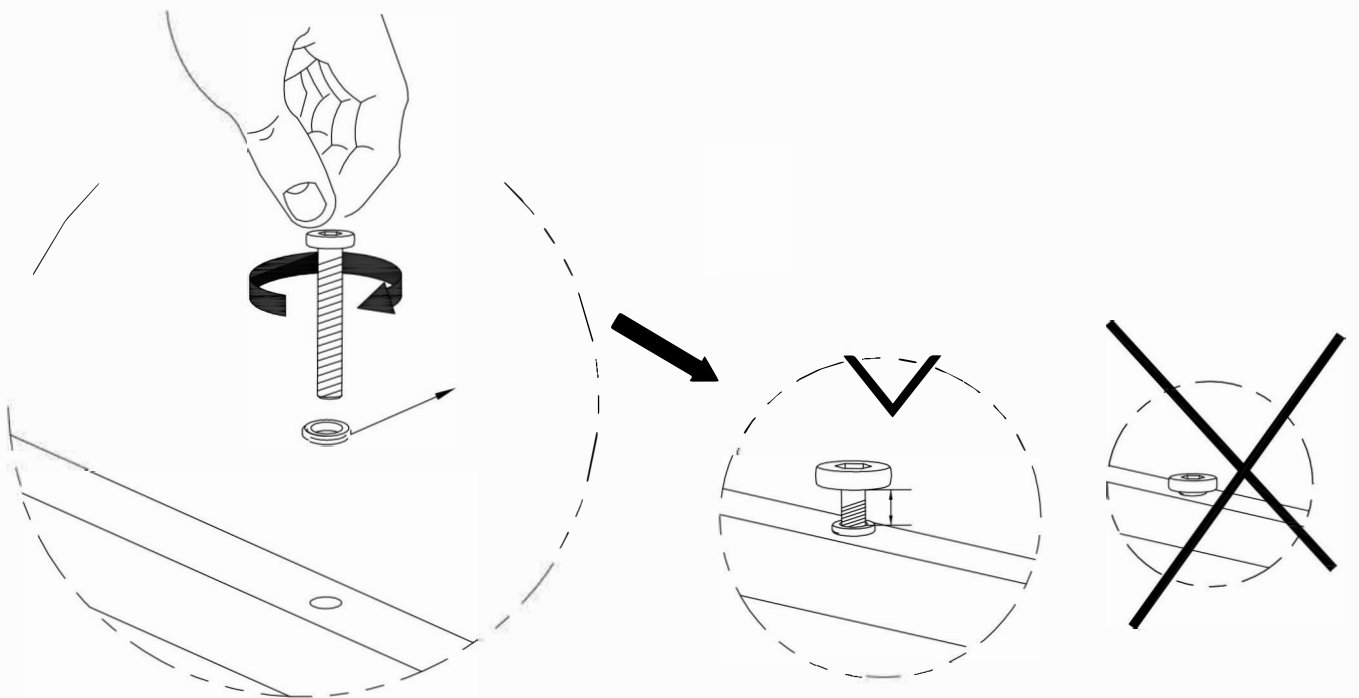
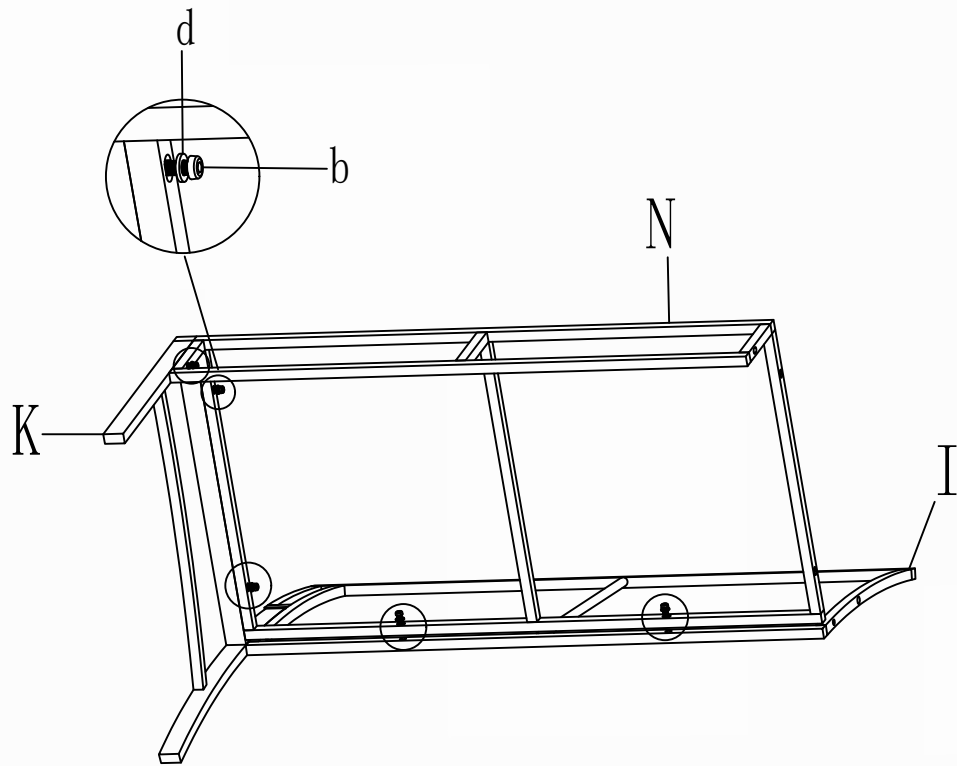
N\*1

I\*1

K\*1

b\*5

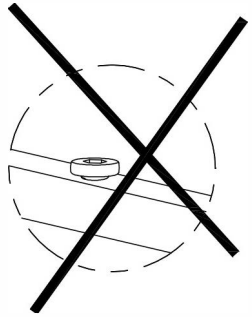
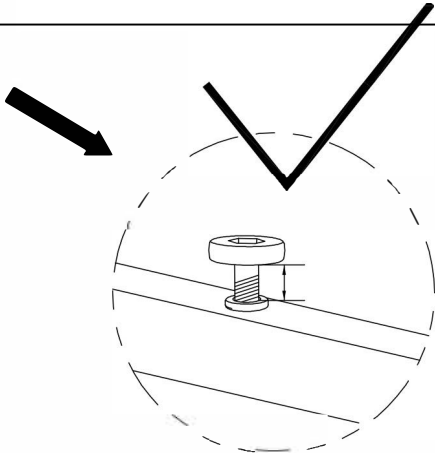
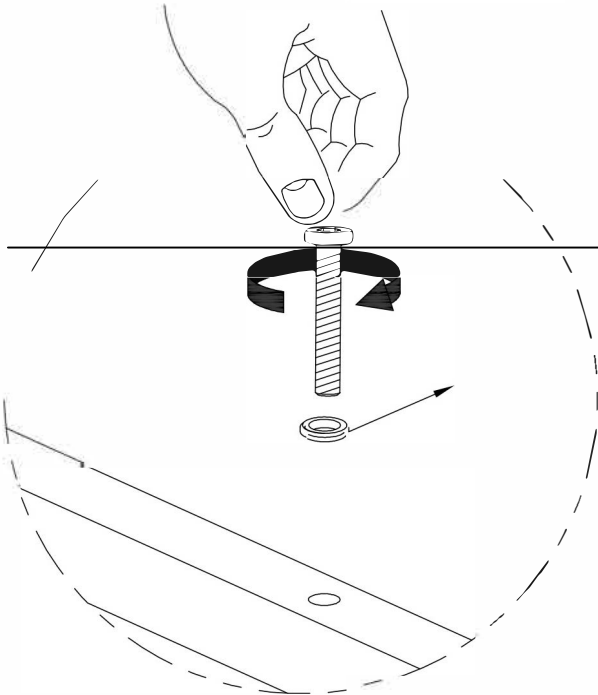
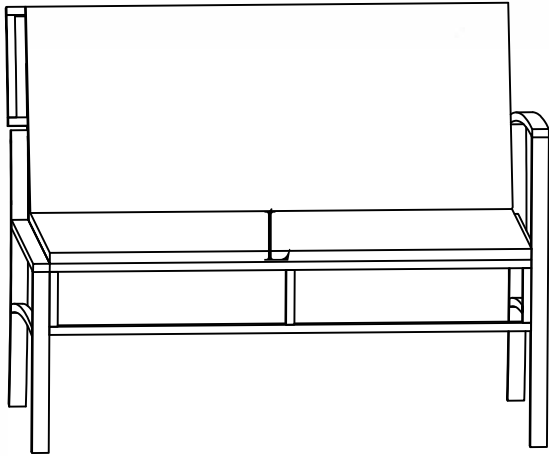
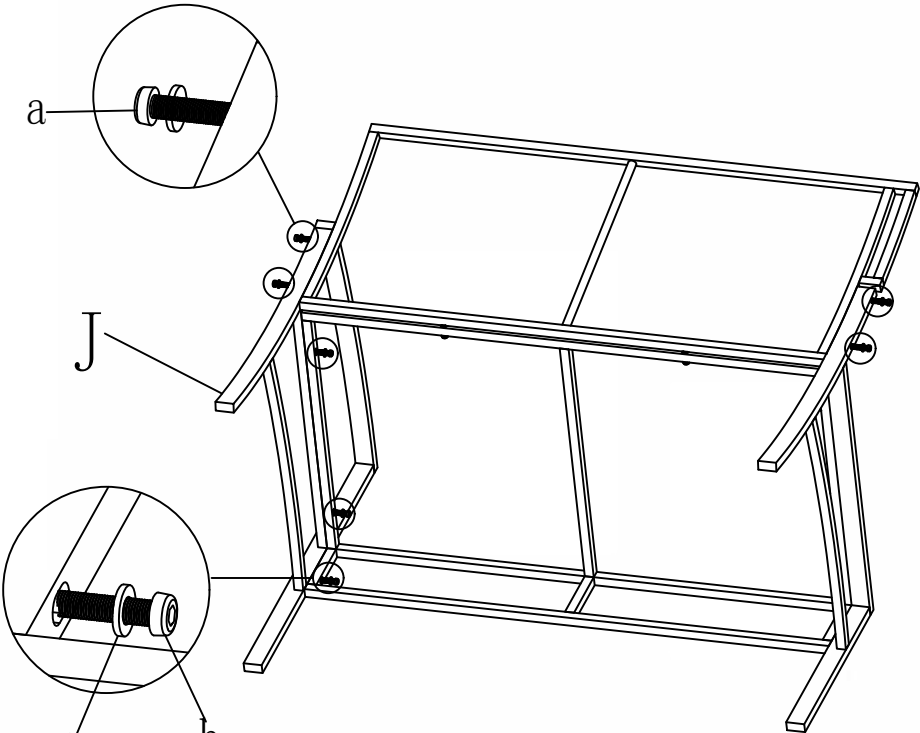
d\*5



Do Not Tighten The Screws Completely .

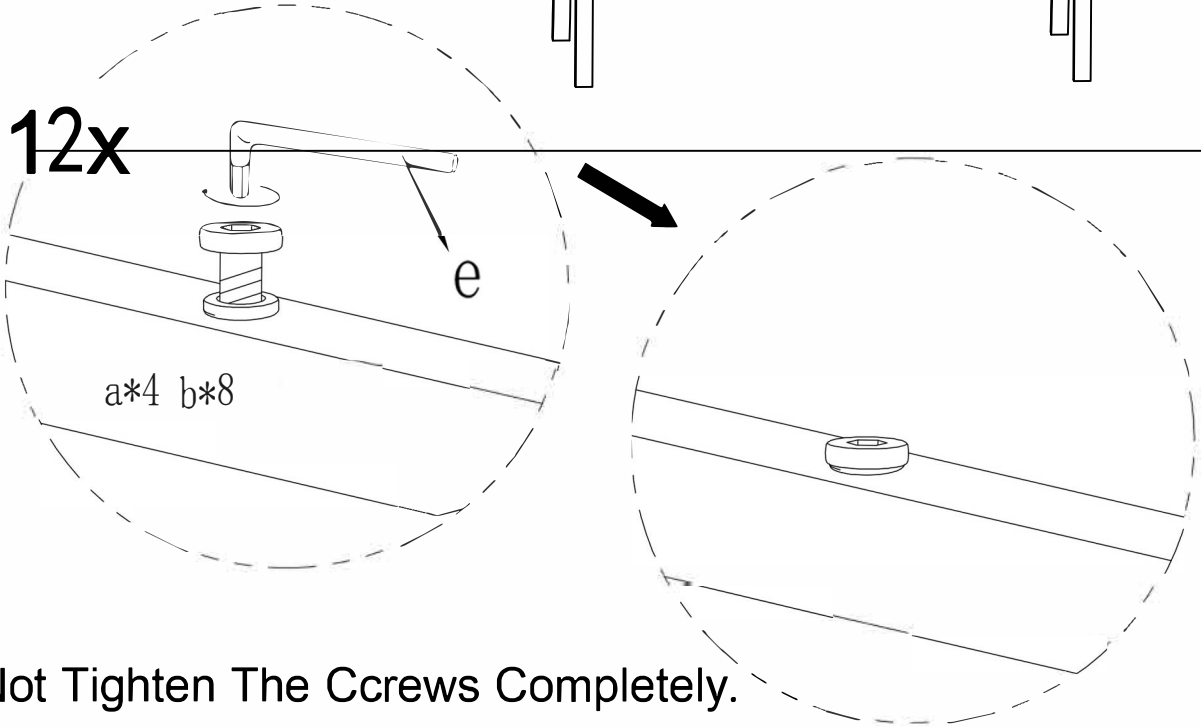
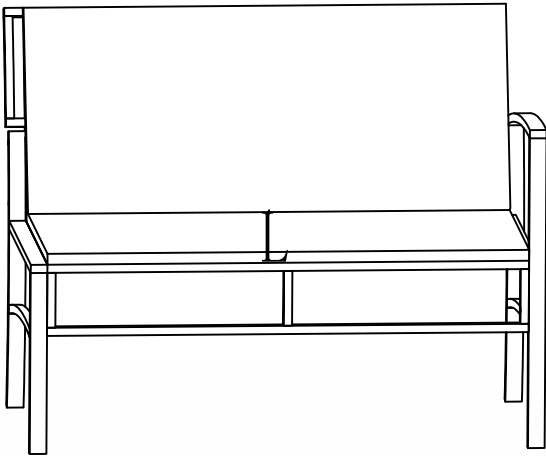
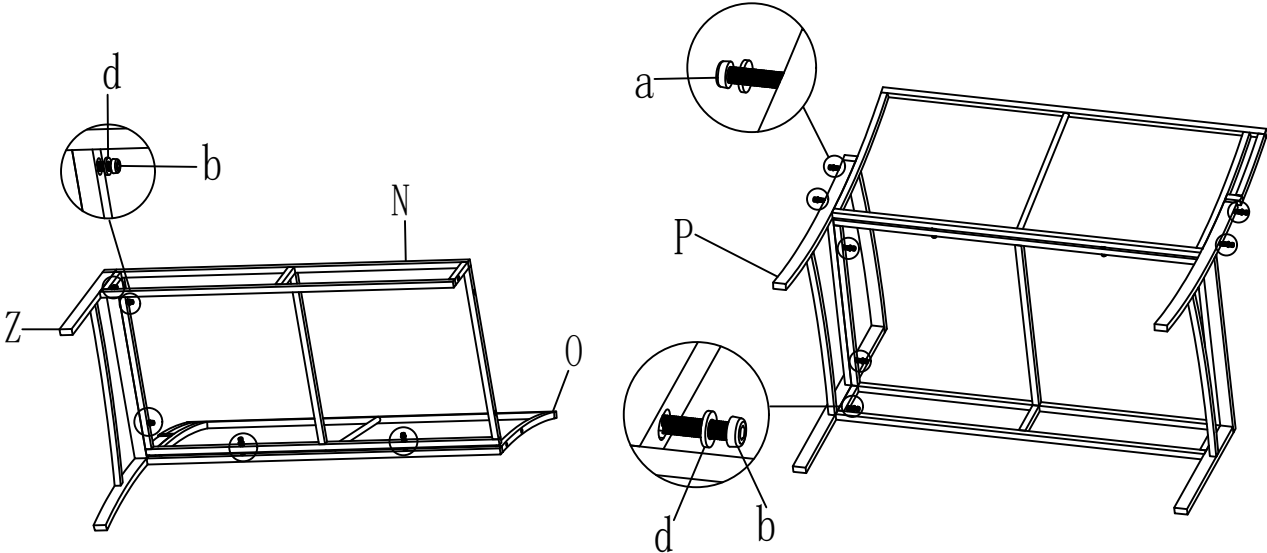
STEP 2

- J\*1
- a\*4
- b\*3
- d\*7
- L\*1

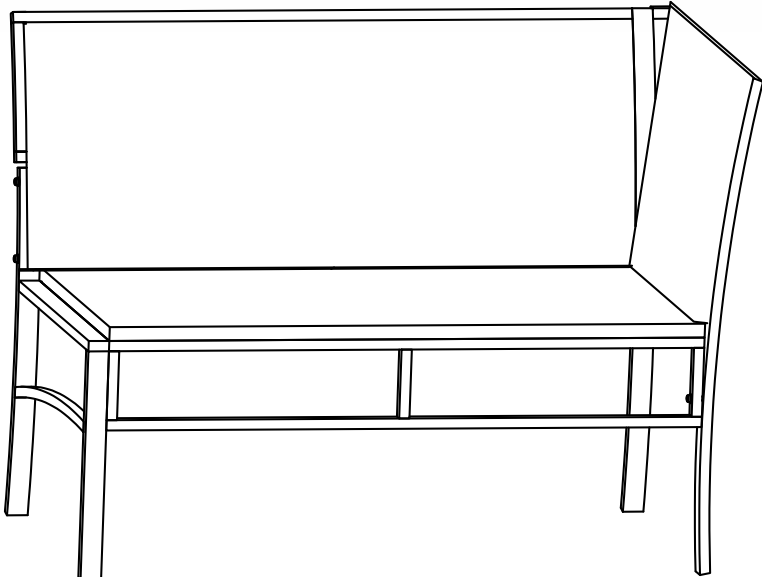







Do Not Tighten The Screws Completely.


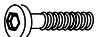

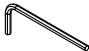
STEP 3



Do Not Tighten The Ccrews Completely.



N			1
I			1
R			1
K			1
L			1

a		M6*45MM	4
b		M6*30MM	8
d		M6	12
e		M6	1

STEP 1

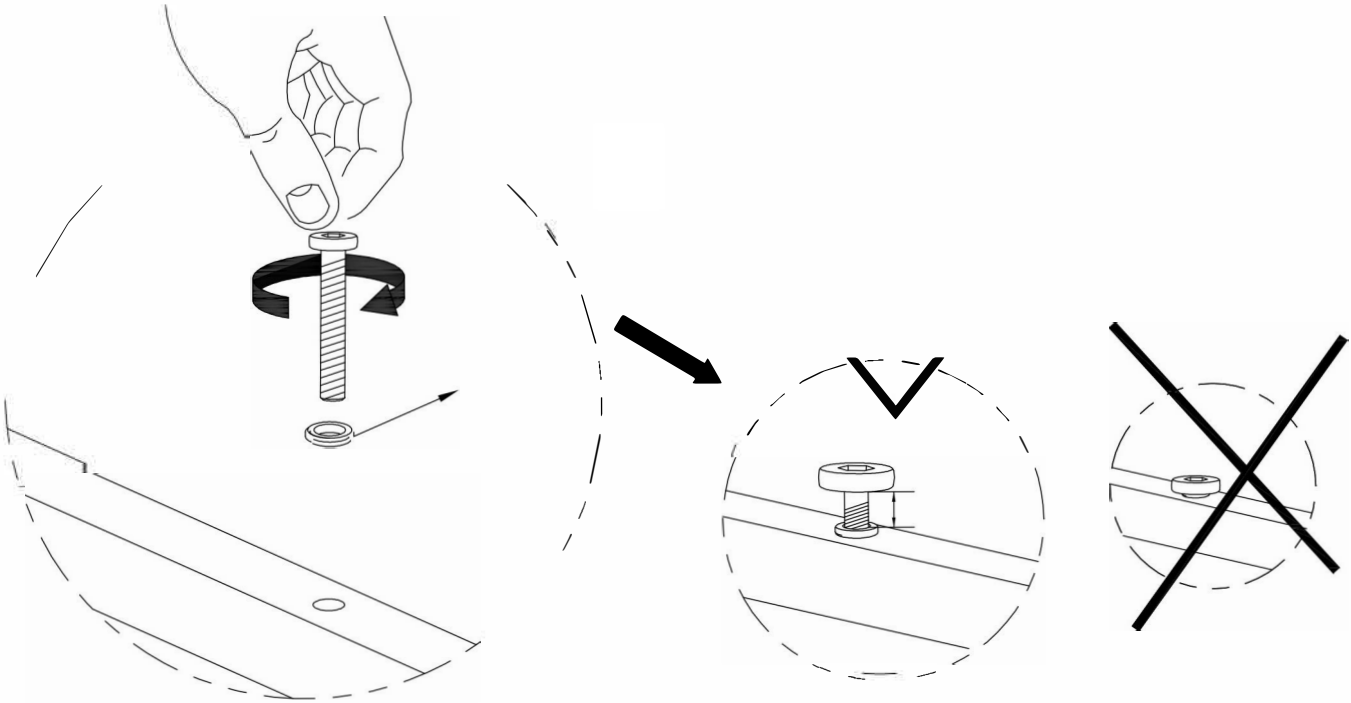
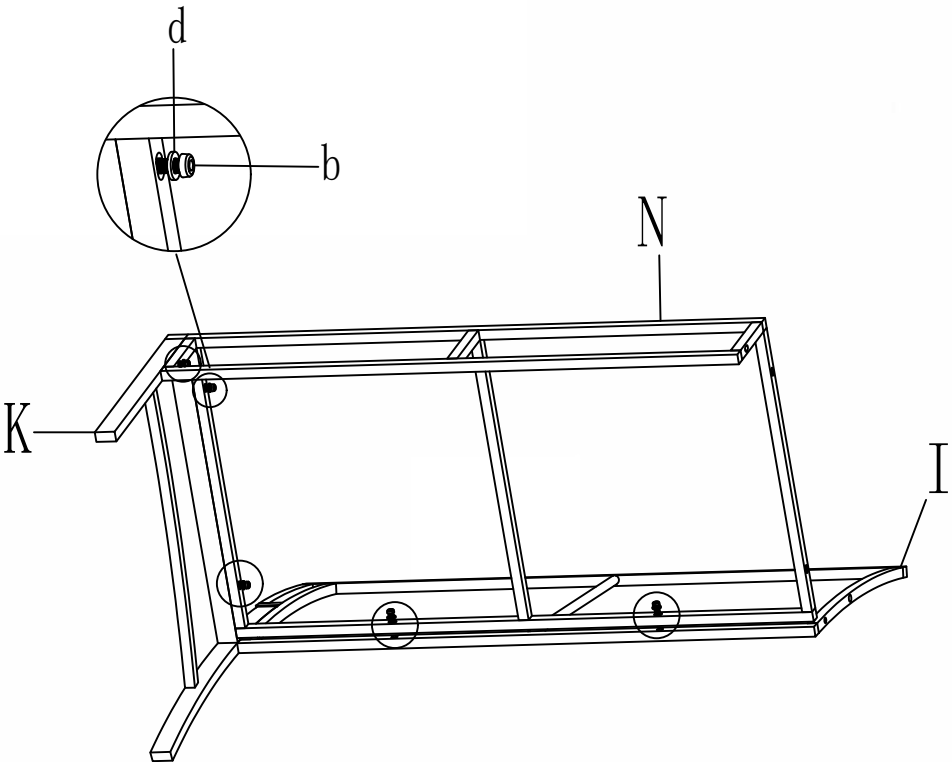
N\*1

I\*1

K\*1

b\*5

d\*5



Do Not Tighten The Screws Completely .

STEP 2

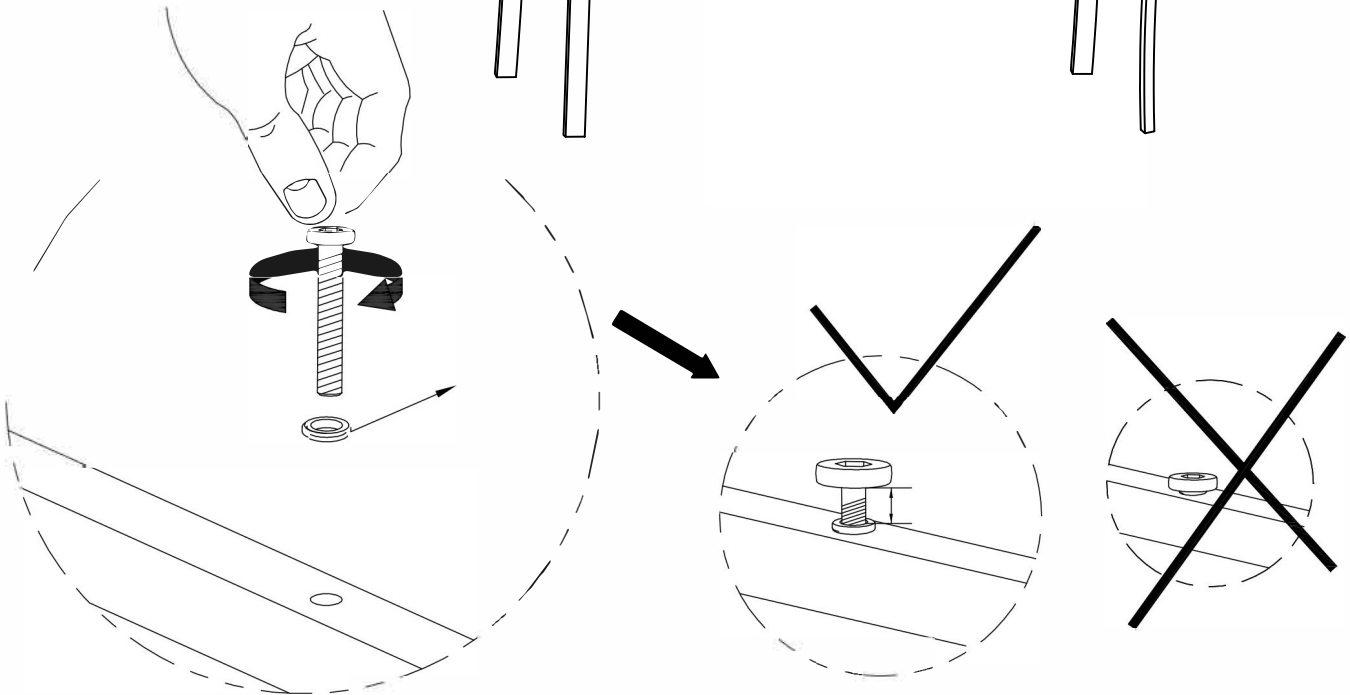
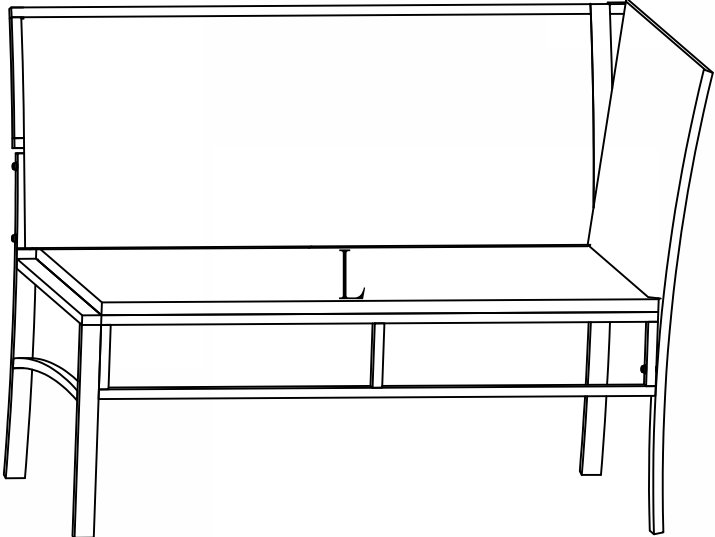
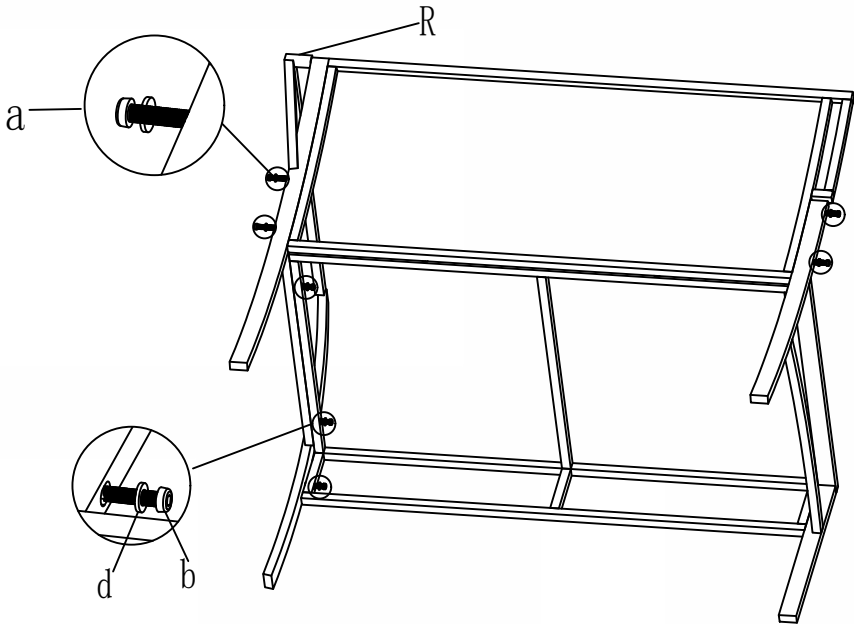
R\*1

a\*4

b\*3

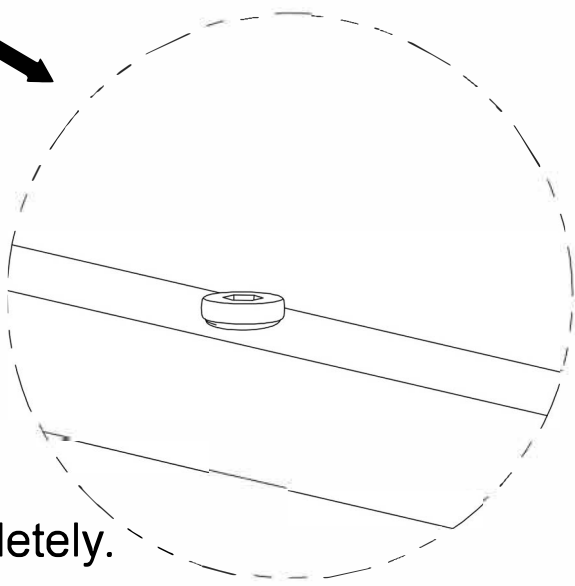
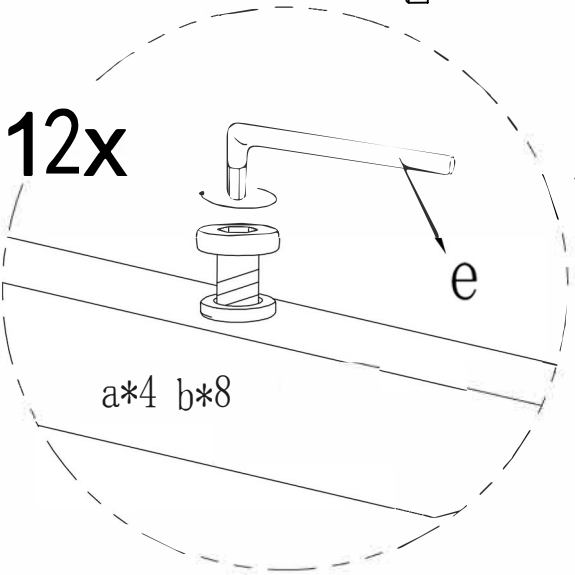
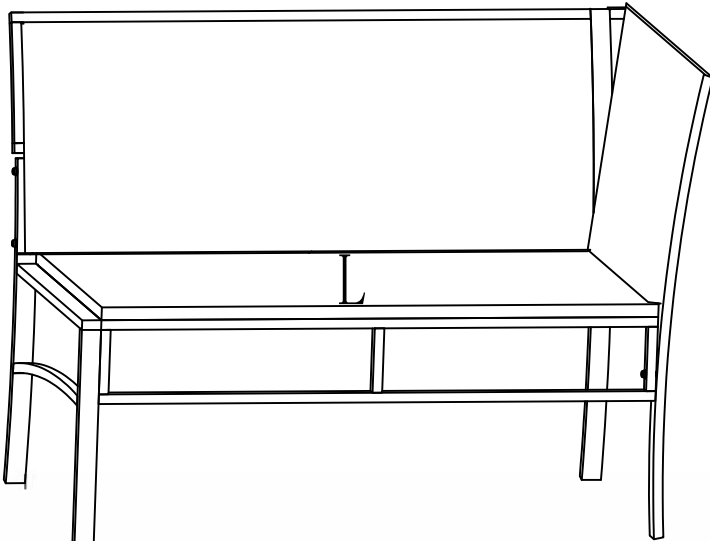
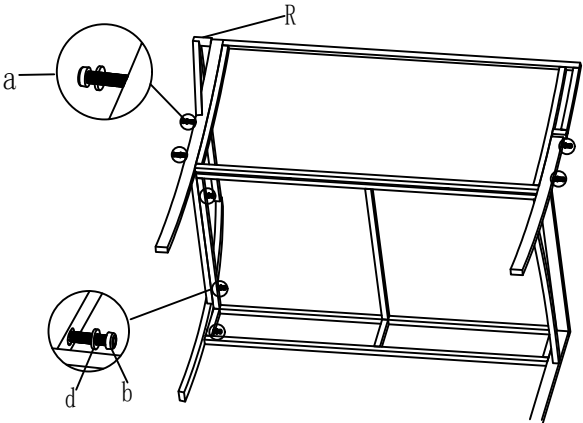
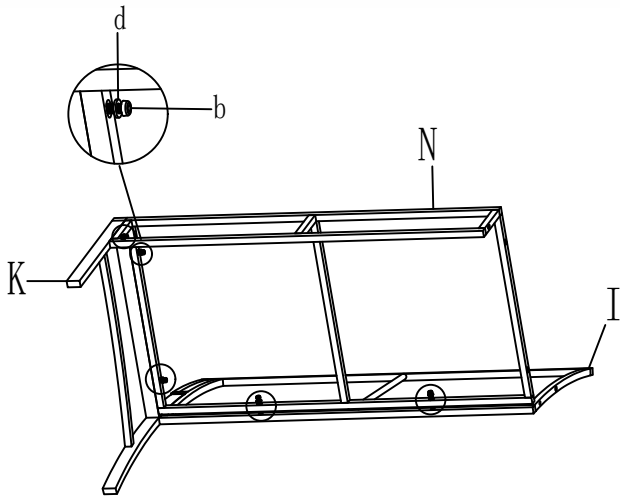
d\*7

L\*1

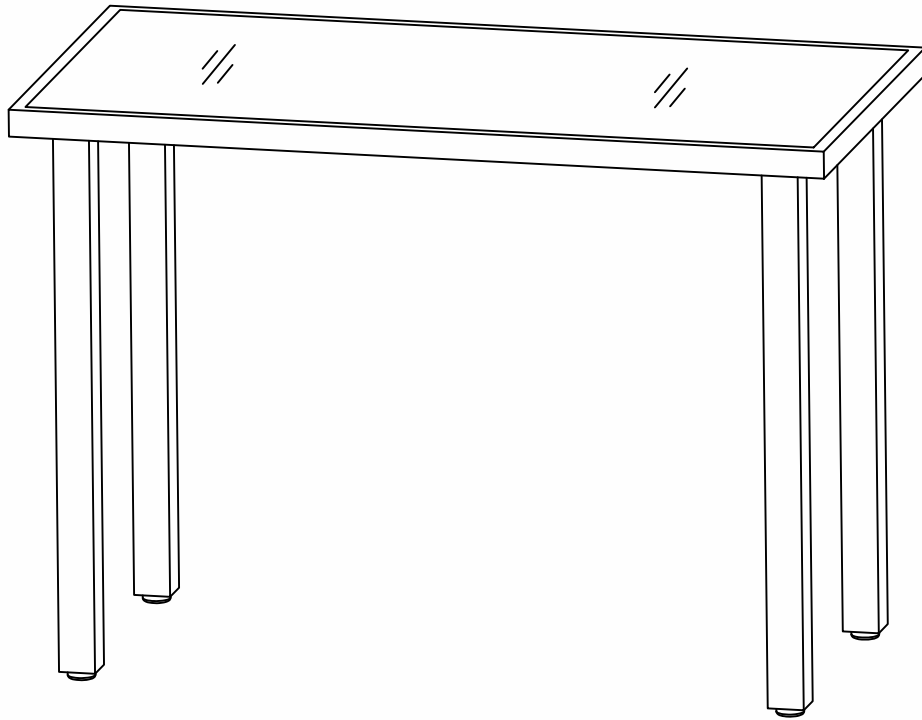


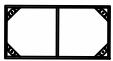


Do Not Tighten The Screws Completely.



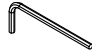
STEP 3



Do Not Tighten The Ccrews Completely.

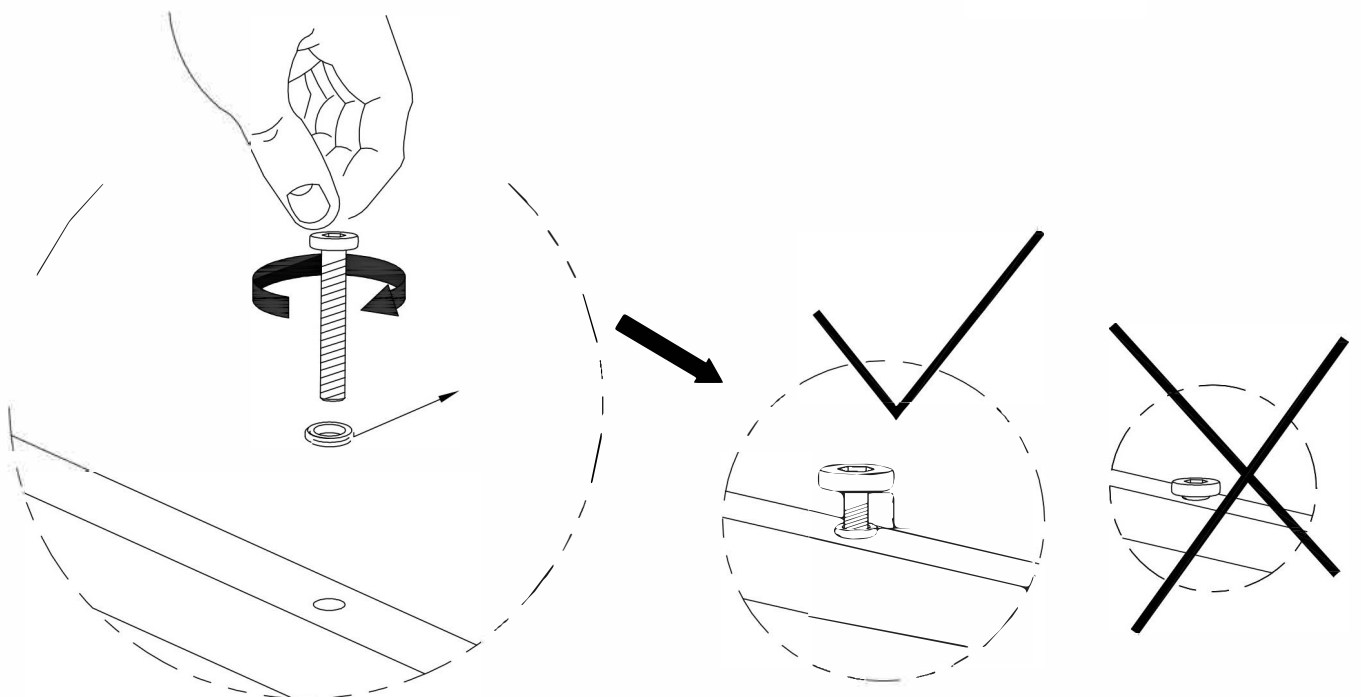
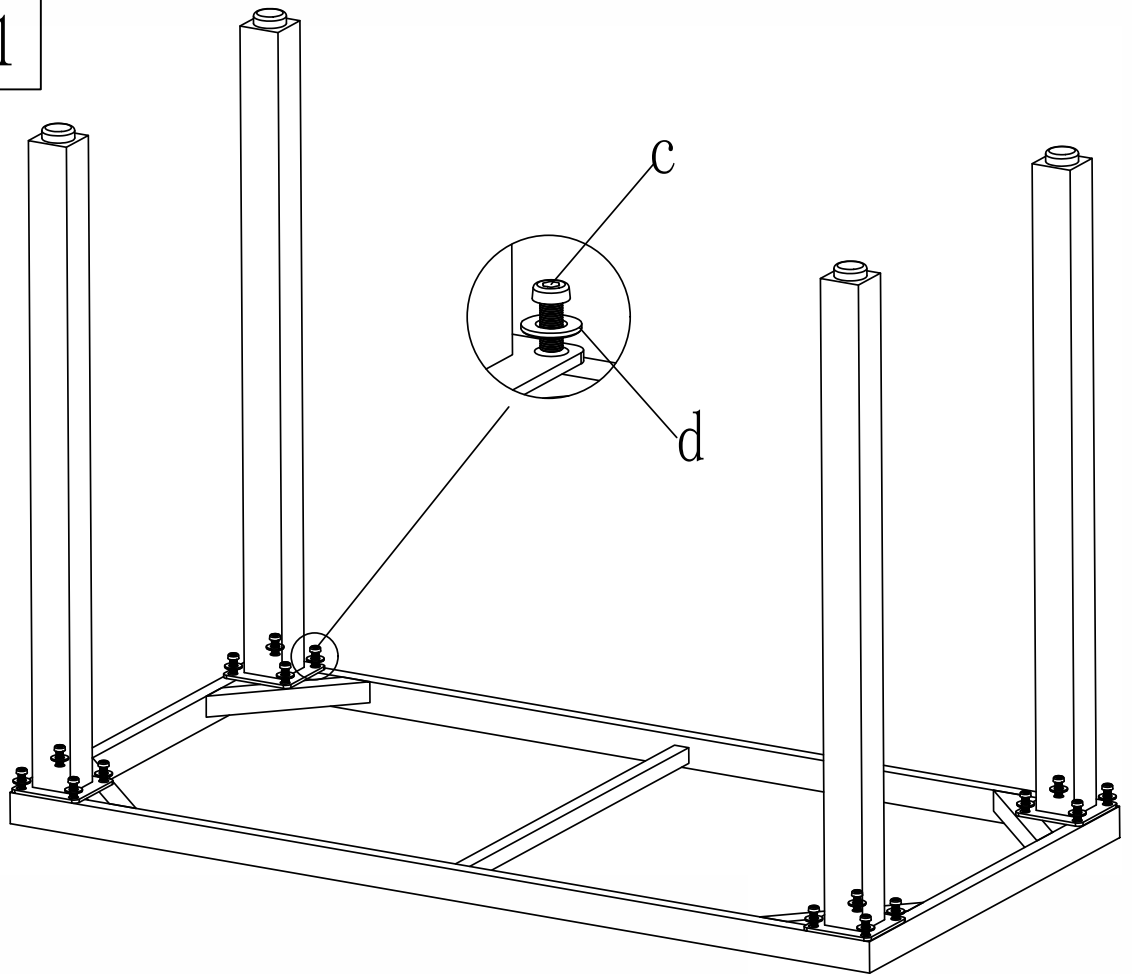


E			1
F			4
G			1

c		M6*15MM	16
d		M6	16
e		M6	1

STEP 1

E\*1  
F\*4  
c\*16  
d\*16



Do Not Tighten The Screws Completely.

STEP 2

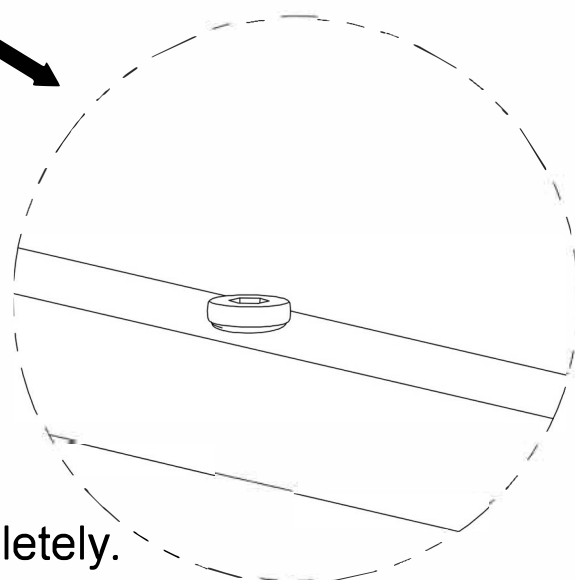
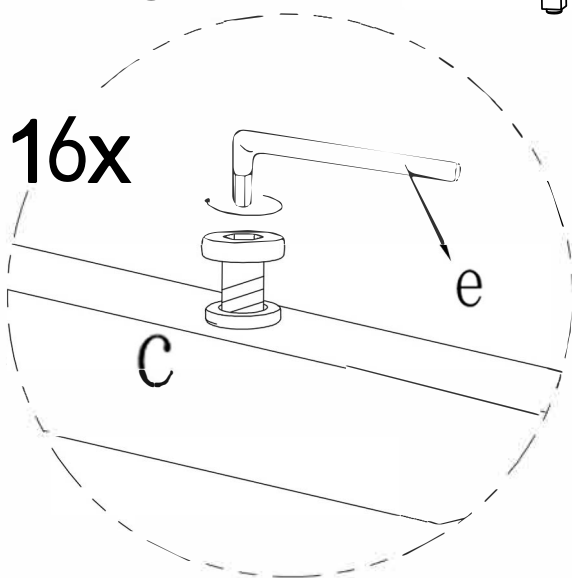
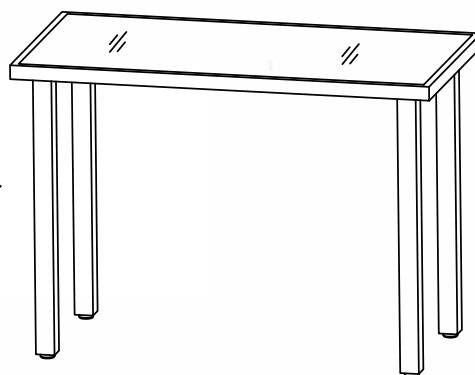
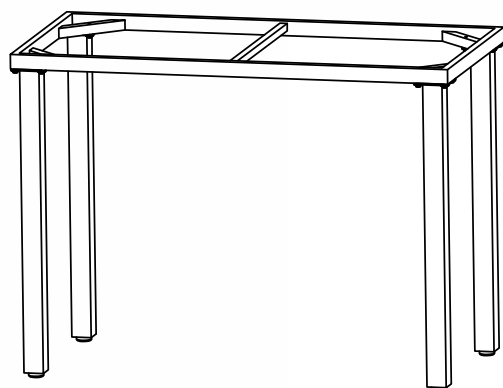
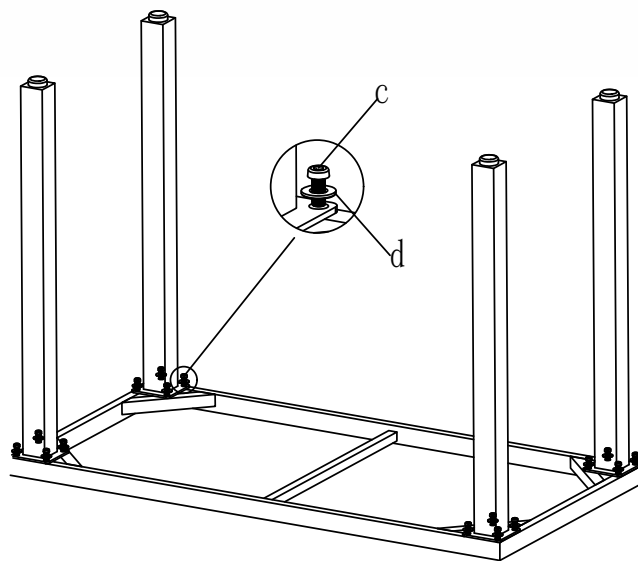
E\*1

F\*4

c\*16

d\*16

G\*1



Do Not Tighten The Ccrews Completely.