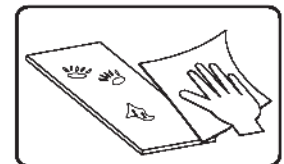
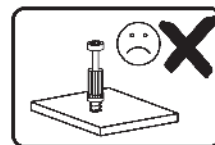
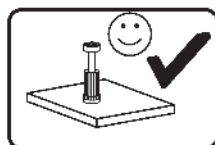
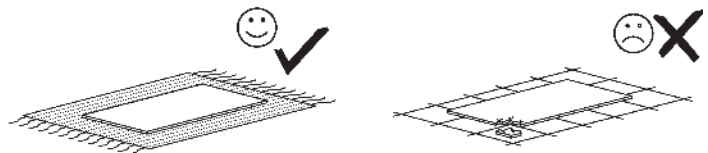
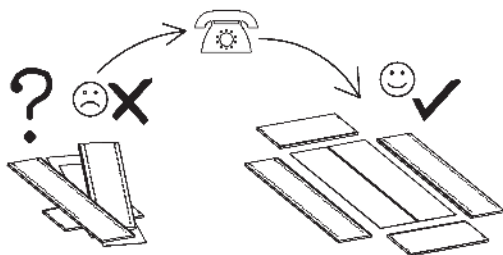
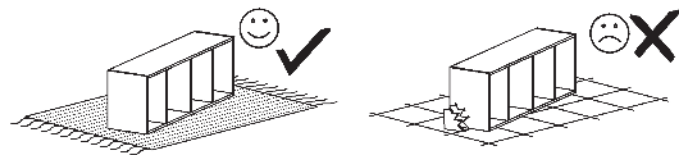
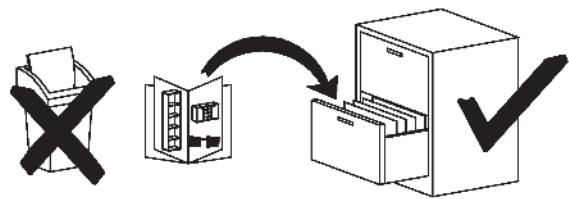
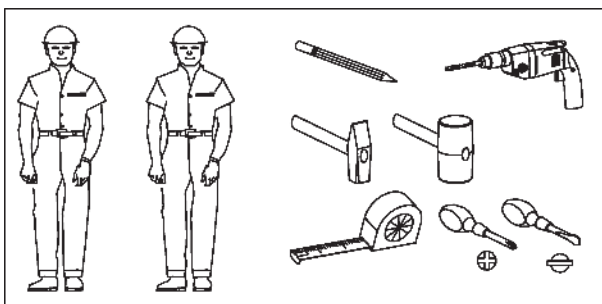
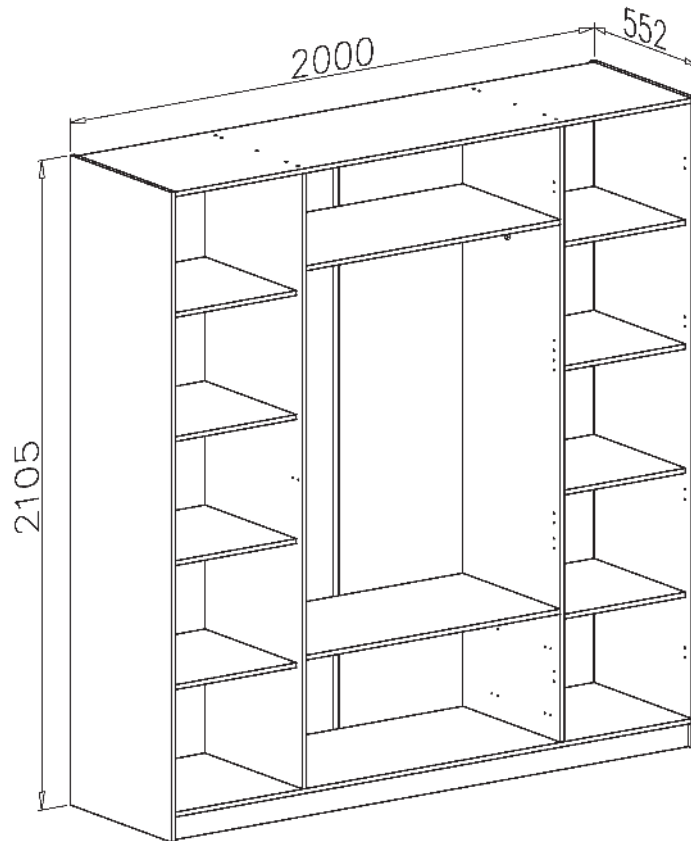
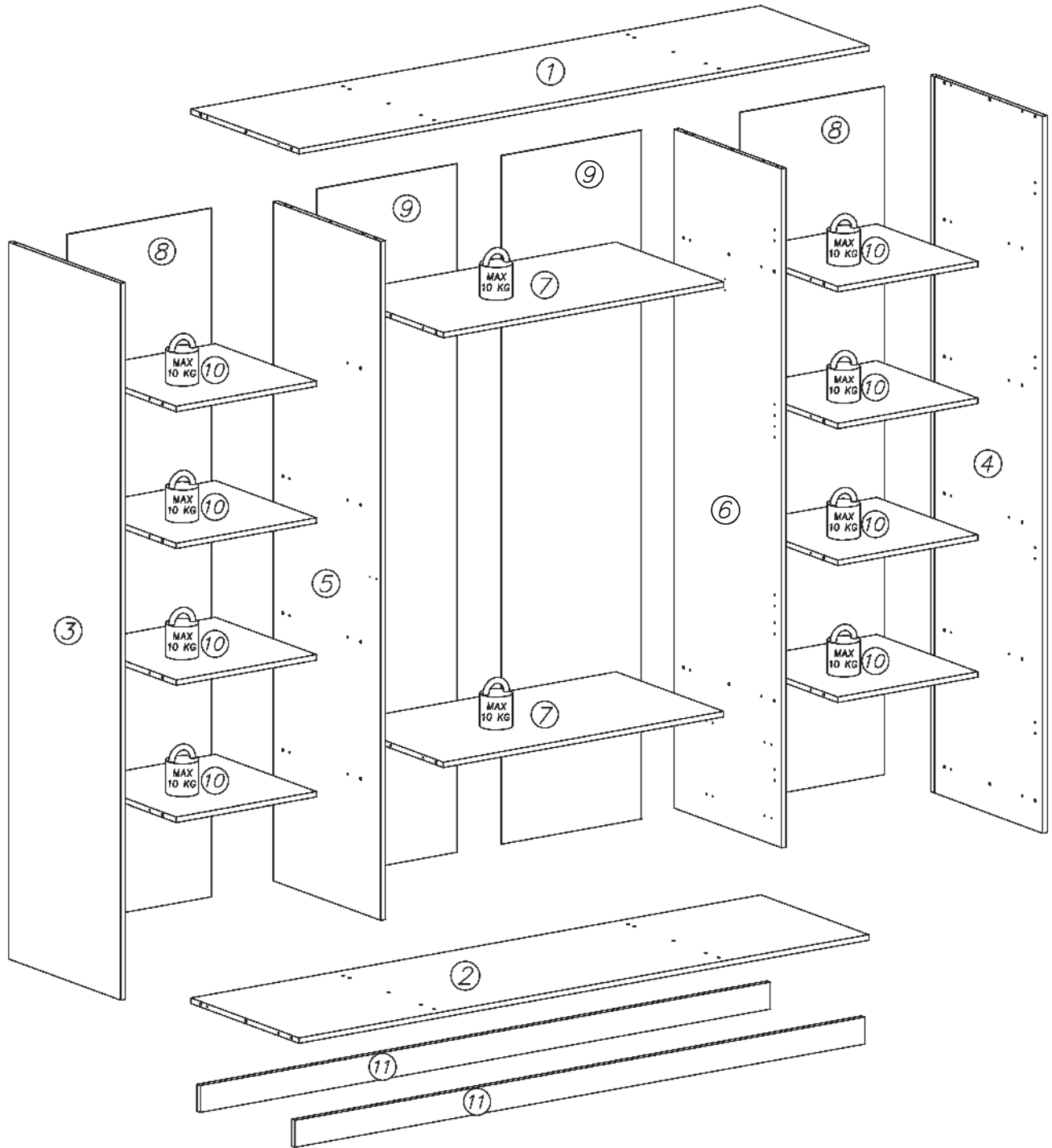
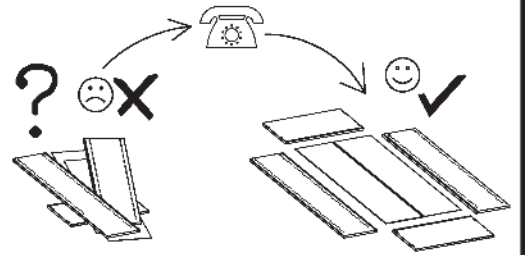
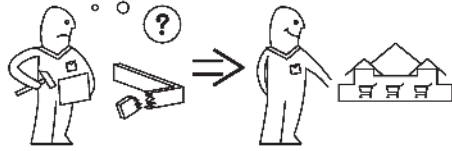
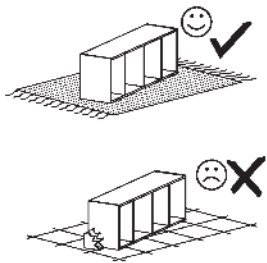
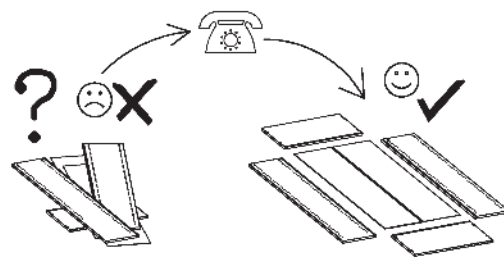
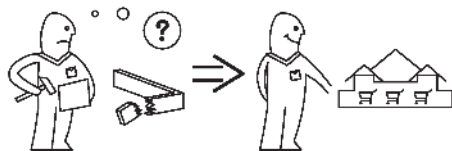
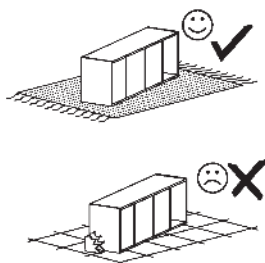


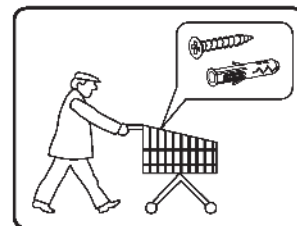
Installation & Assembly











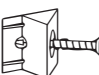


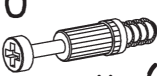
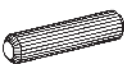
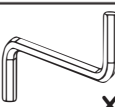
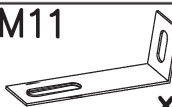





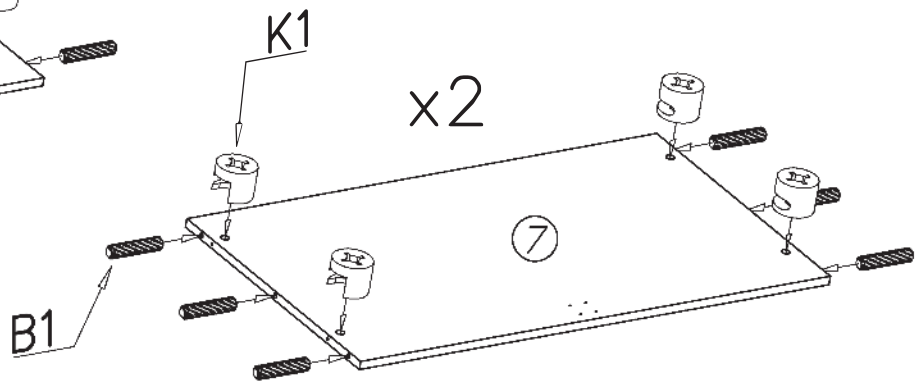
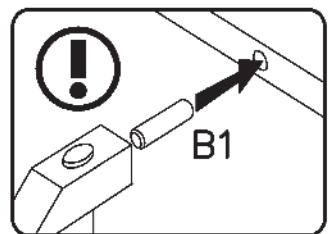
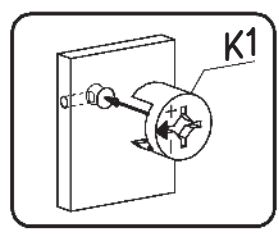
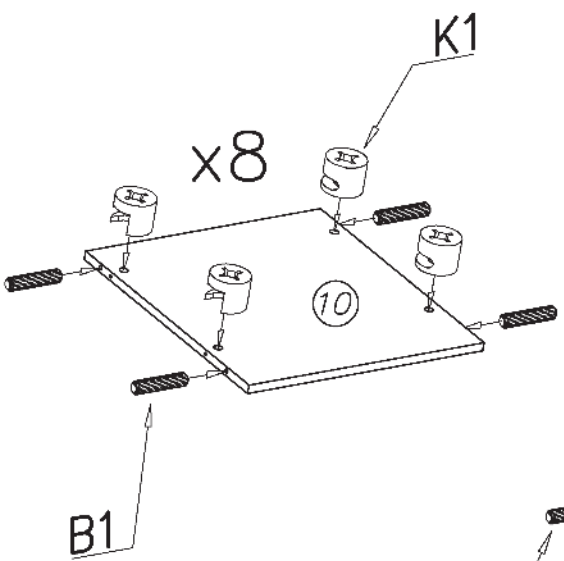
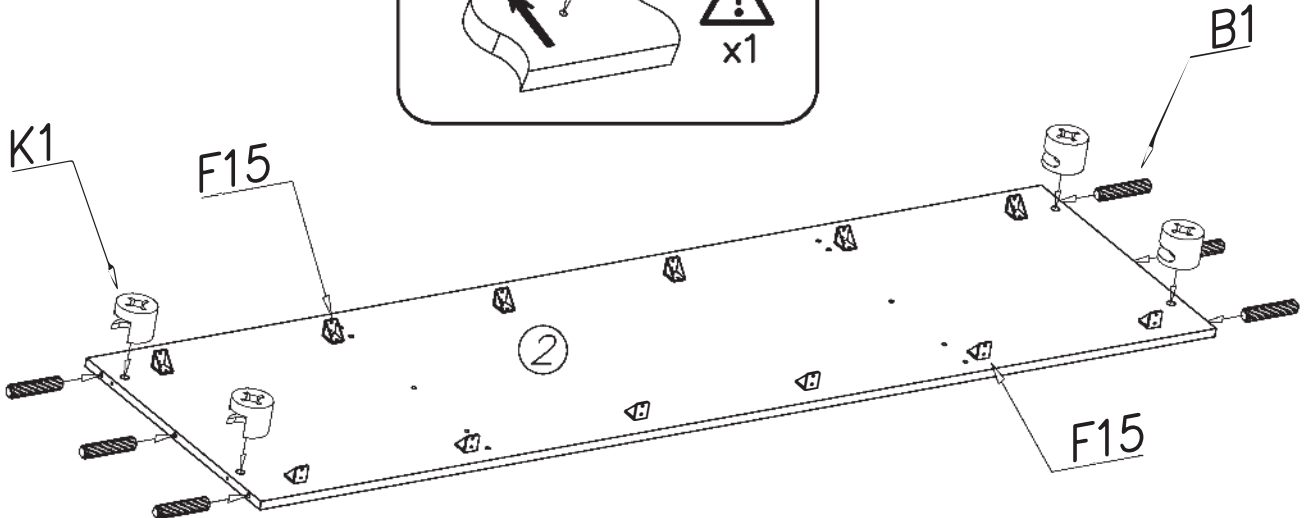
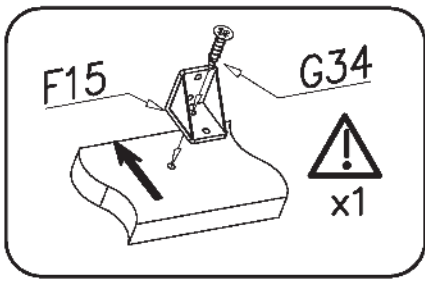
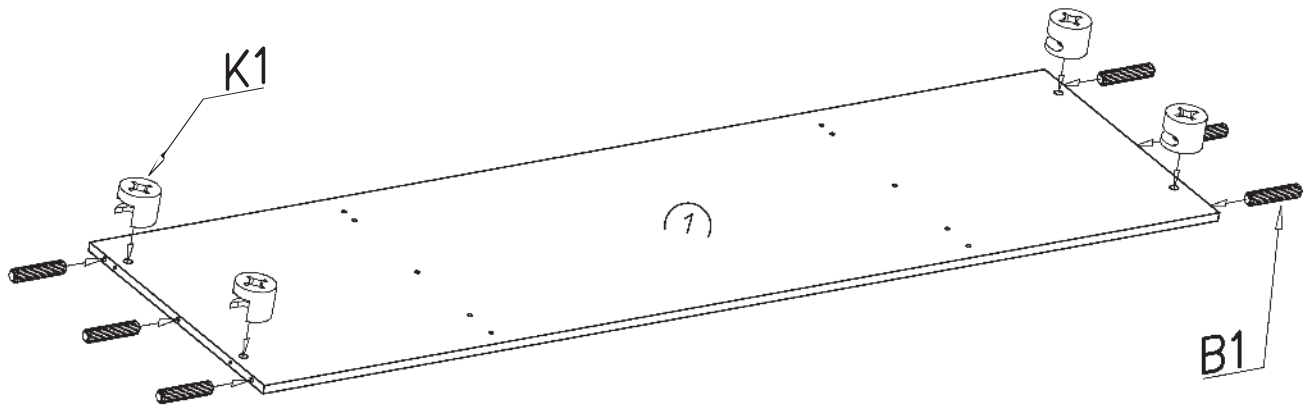
nr	L[mm]	B[mm]	T[mm]	Menge
1	532	1968	16	1
2	531	1968	16	1
3	2100	552	16	1
4	2100	552	16	1
5	1989	530	16	1
6	1989	530	16	1
7	530	968	16	2
8	2018	497	3	2
9	2018	490	3	2
10	484	498	16	8
11	1968	79	16	2



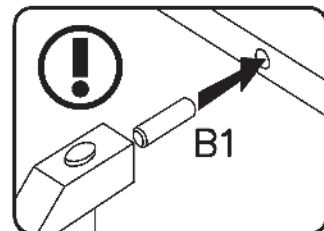
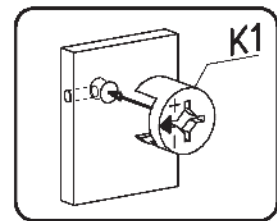
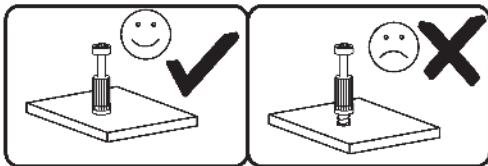
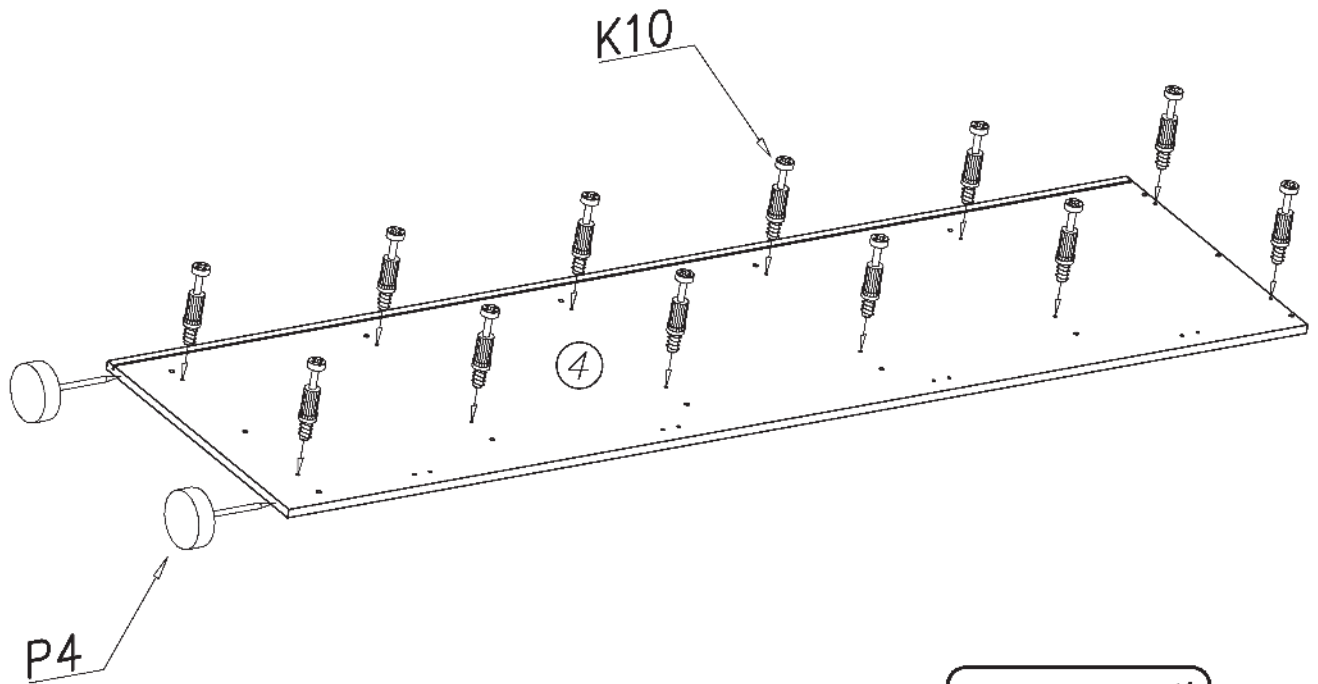
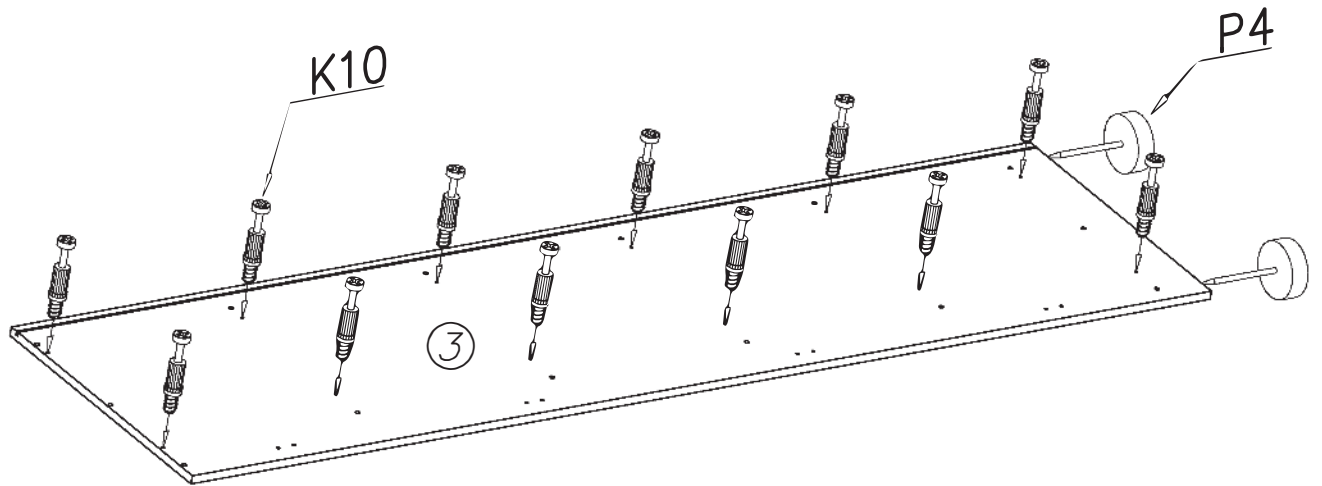
S5

 960mm x...(1)

P4  x...(8)	G57  3,5x16 x...(72)	F15  x...(16)	I7  ø18 x...(48)	S8  x...(2)
K1  ø15x12 x...(48)	S1  1988mm x...(1)	I1  x...(10)	A1  ø7x50 x...(8)	G2  3x20 x...(126)
K10  x...(48)	B1  ø8x35 x...(68)	W2  x...(1)	M11  x...(2)	S2  x...(36)

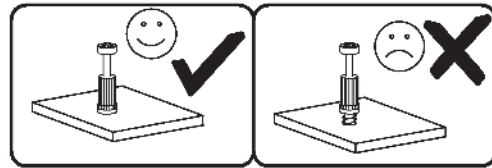
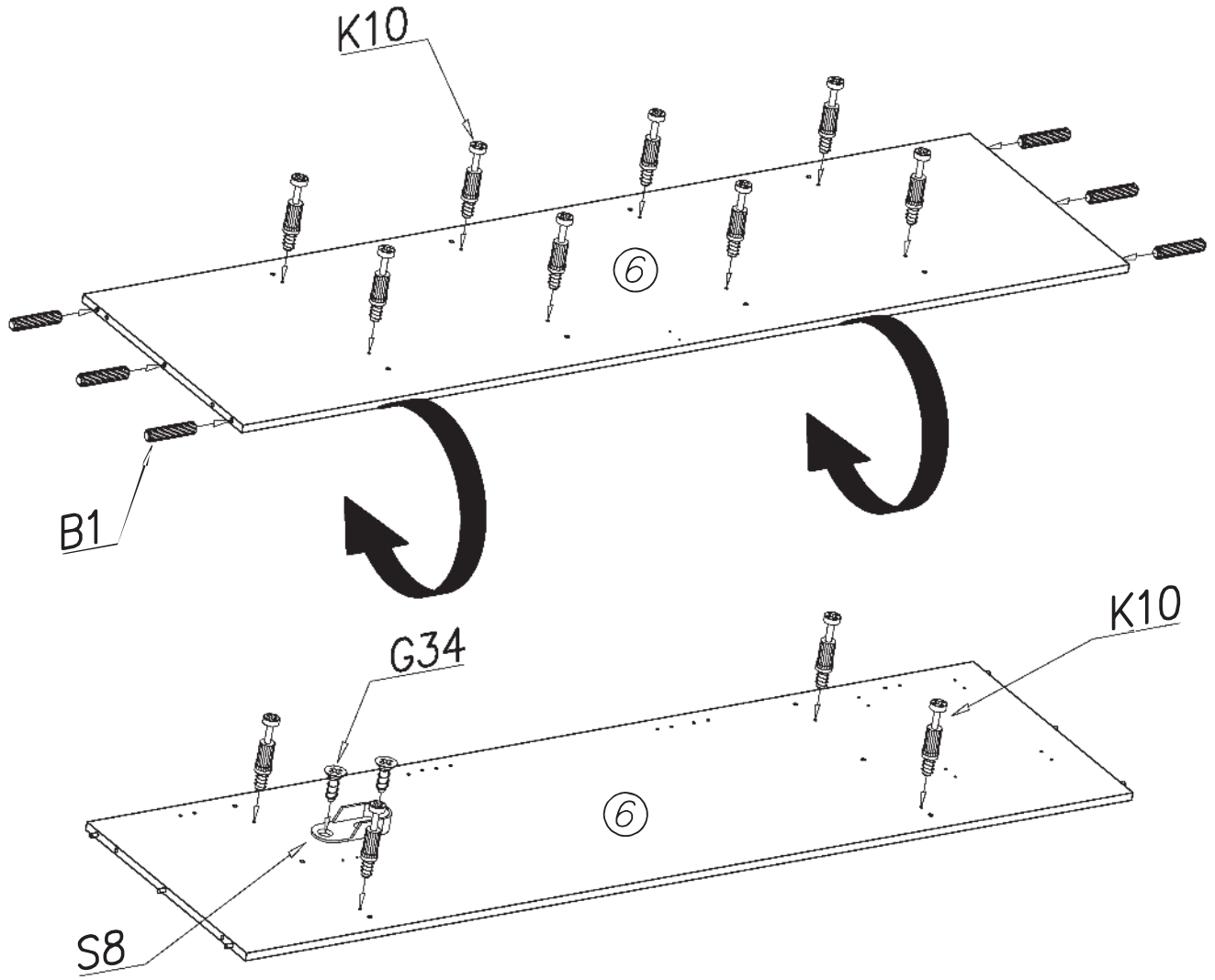
I



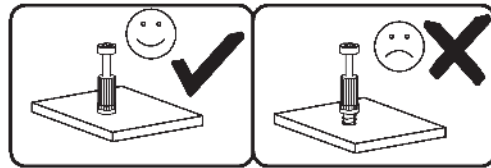
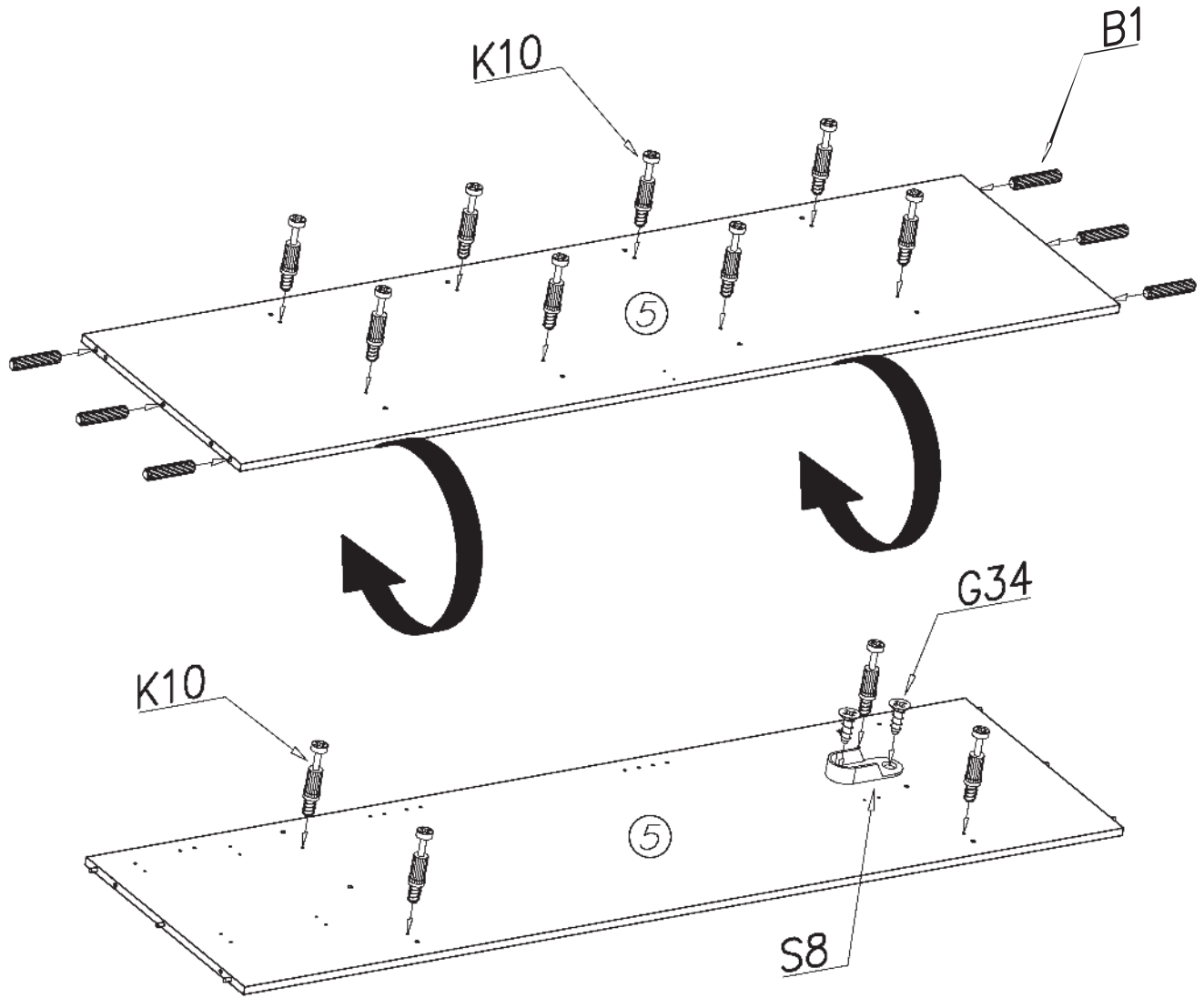
II



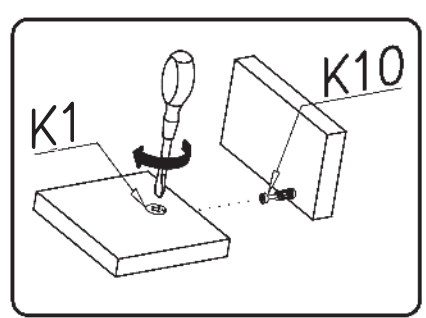
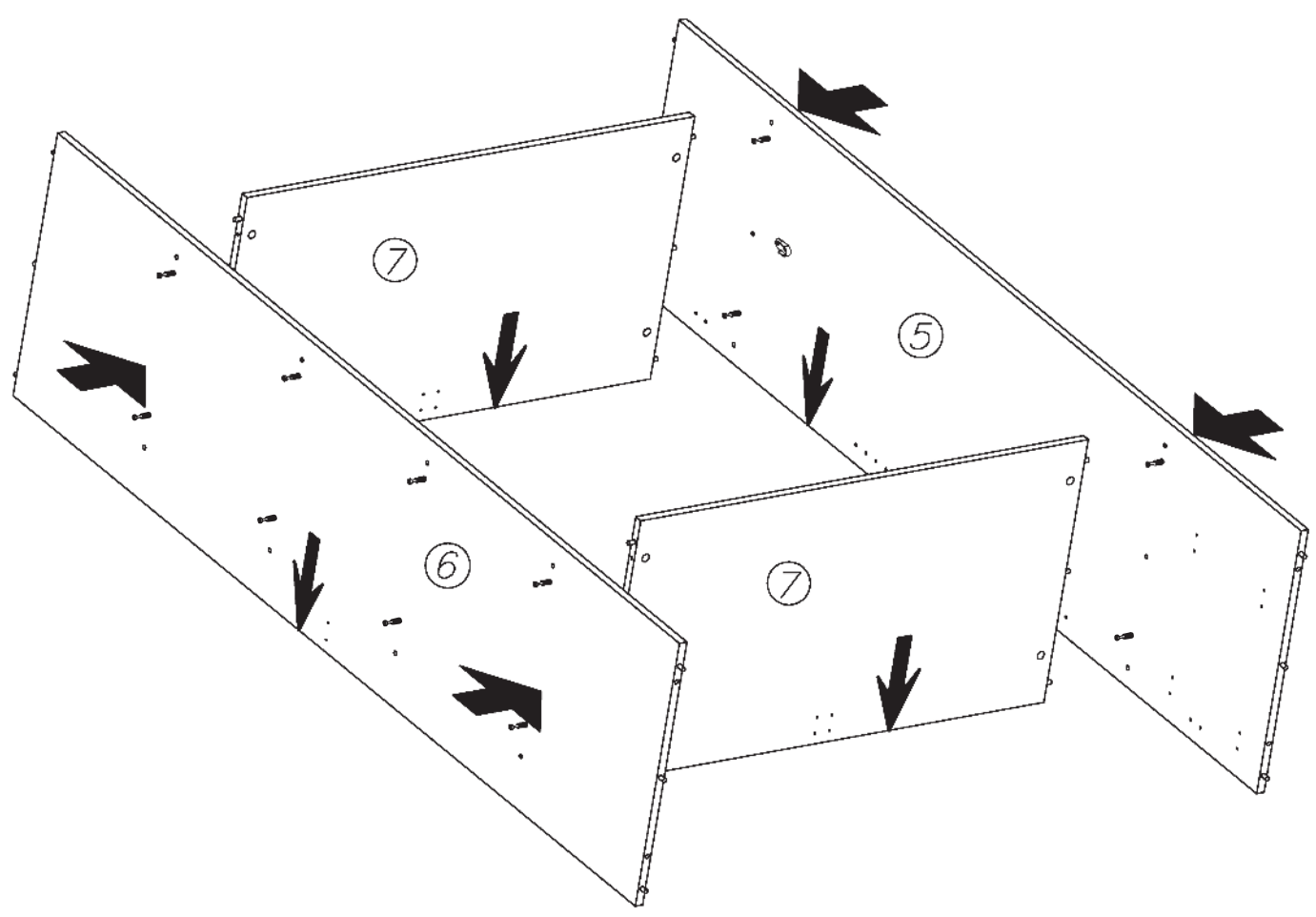
III



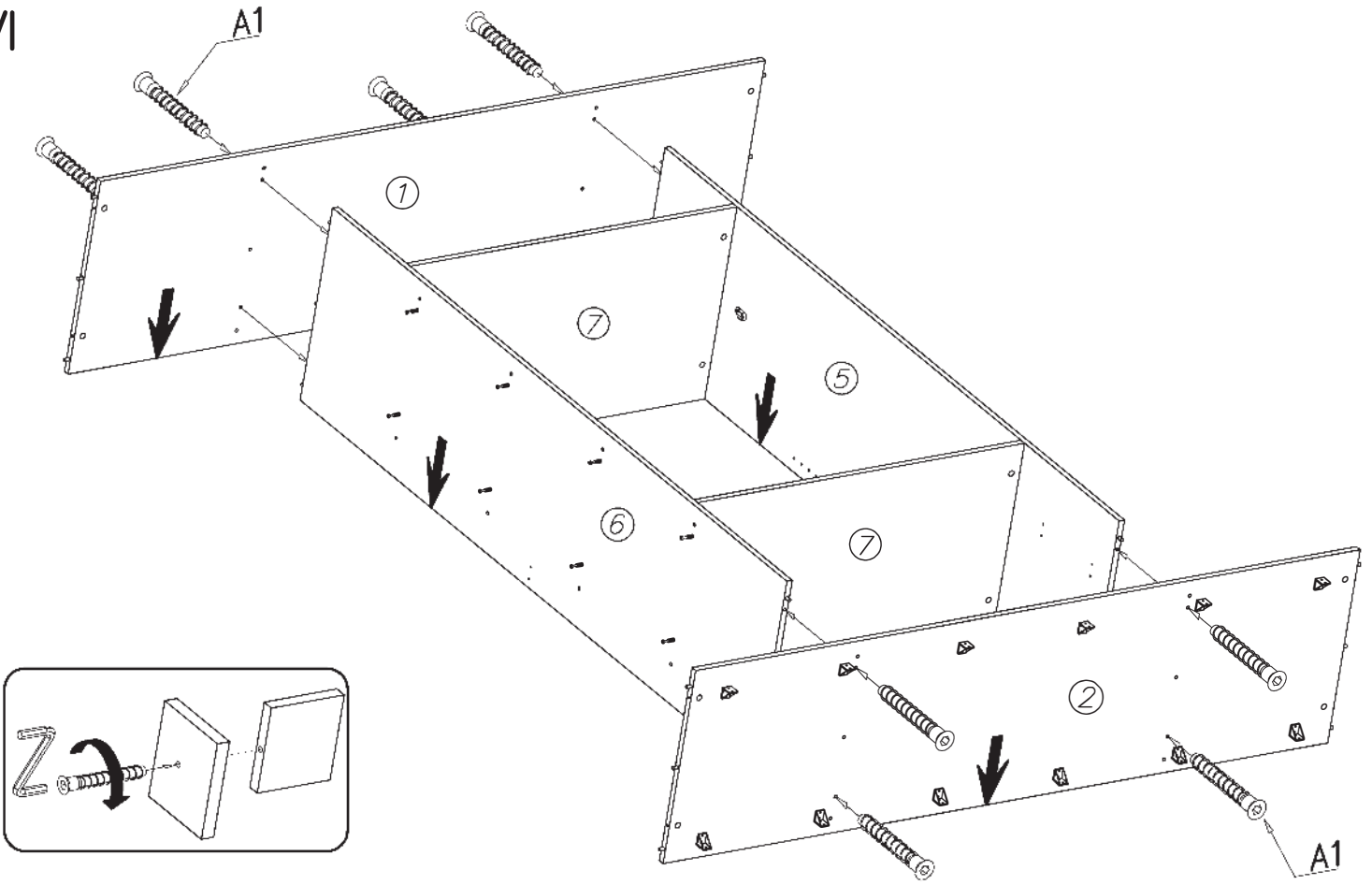
IV



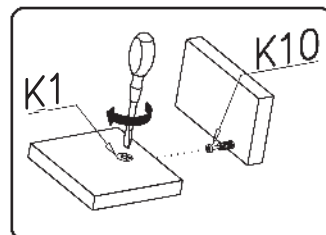
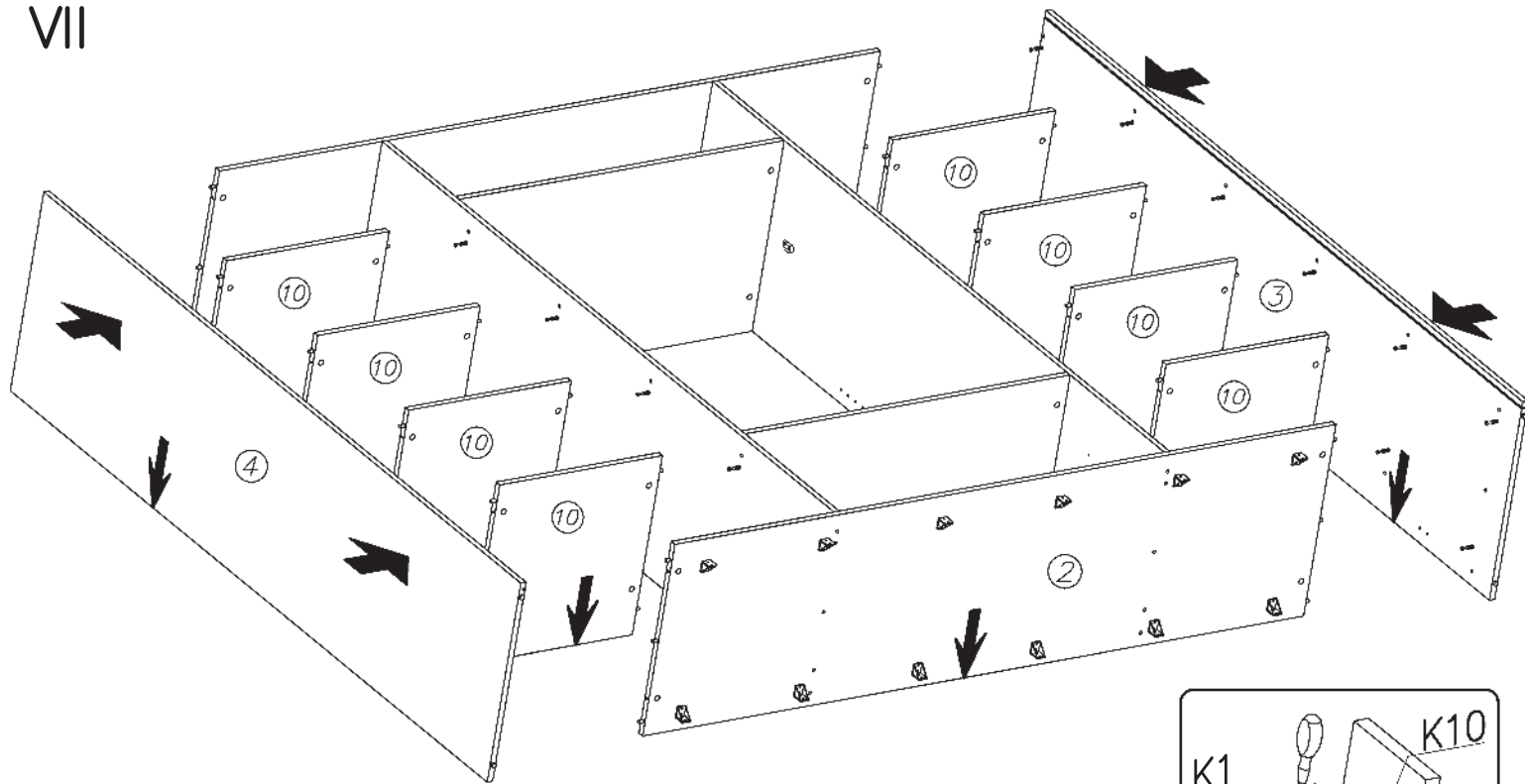
V



VI

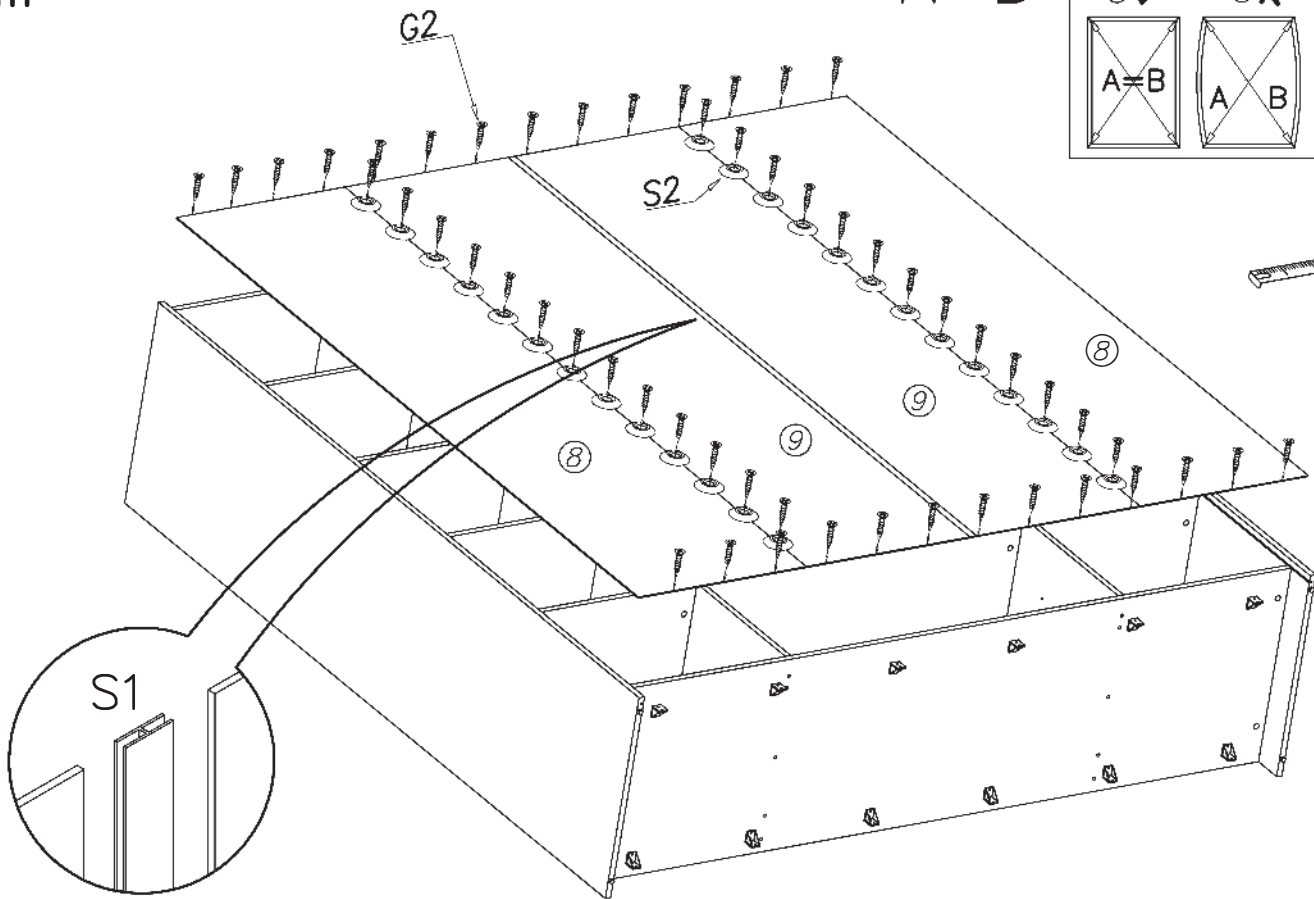
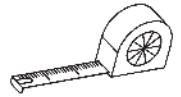
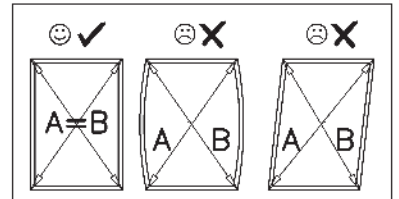


VII

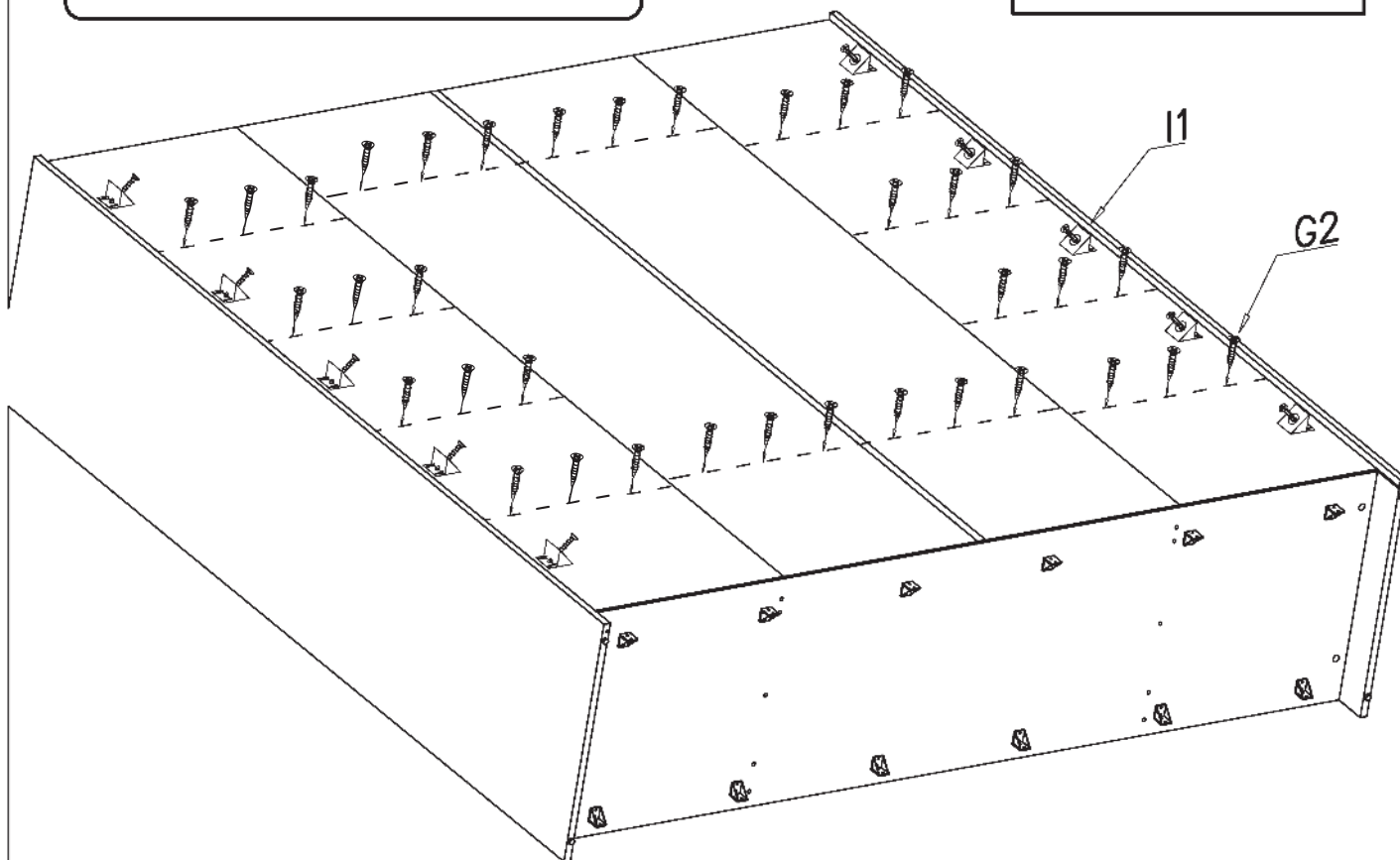
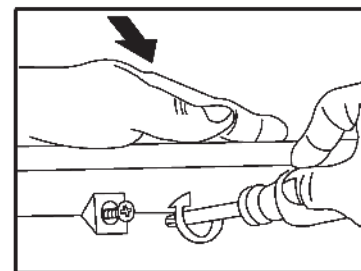
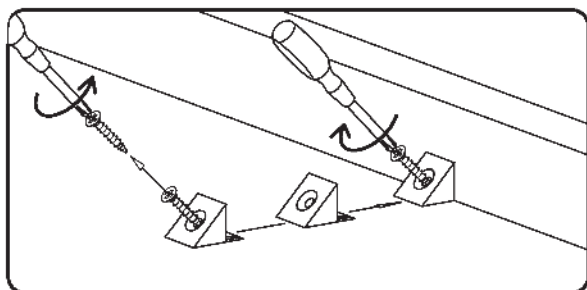
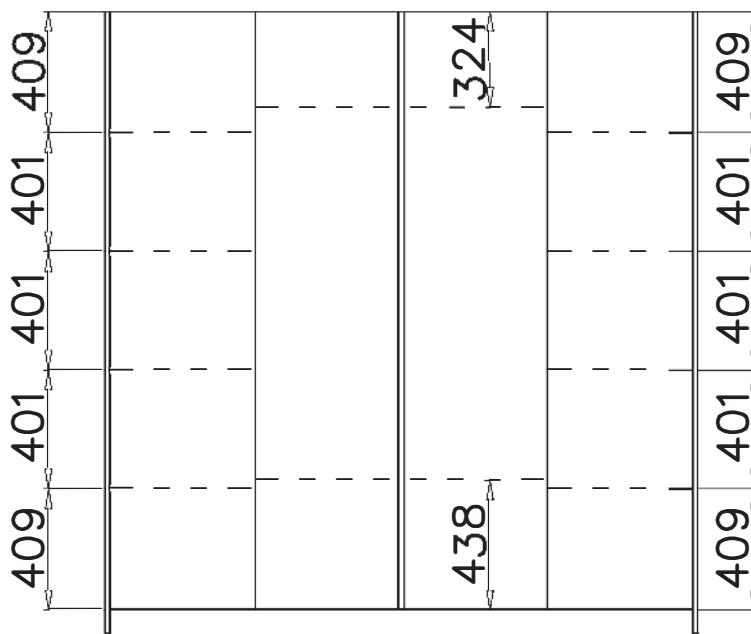


VIII

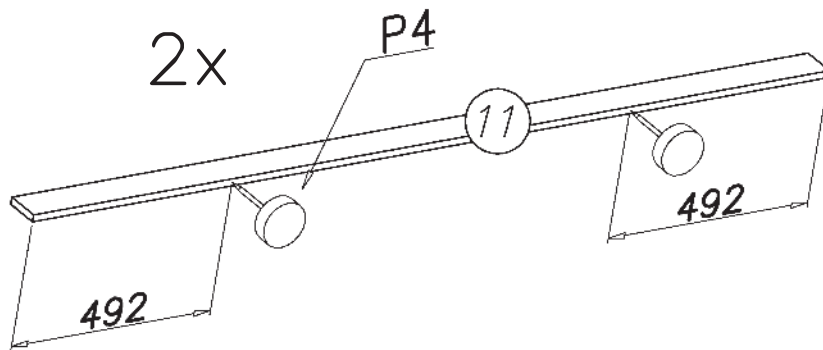
A=B



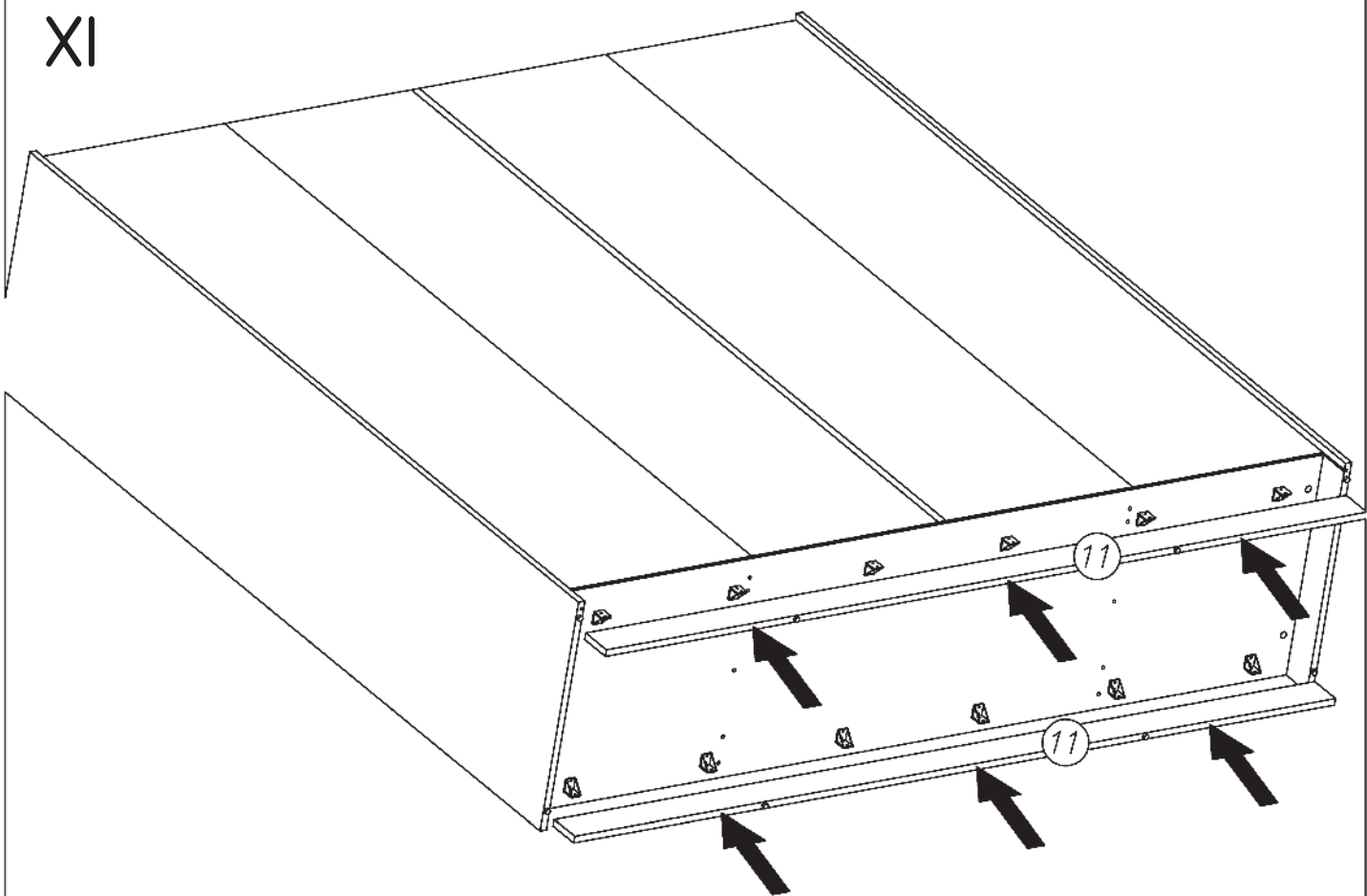
IX



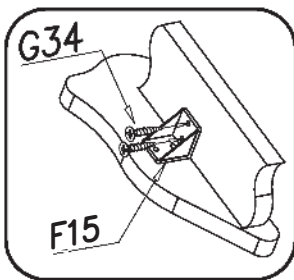
X



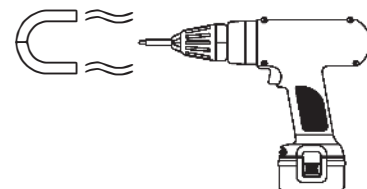
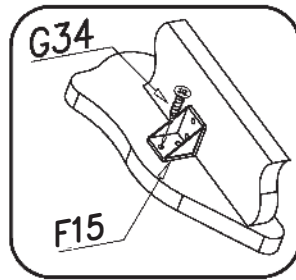
XI



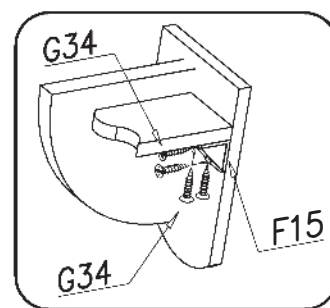
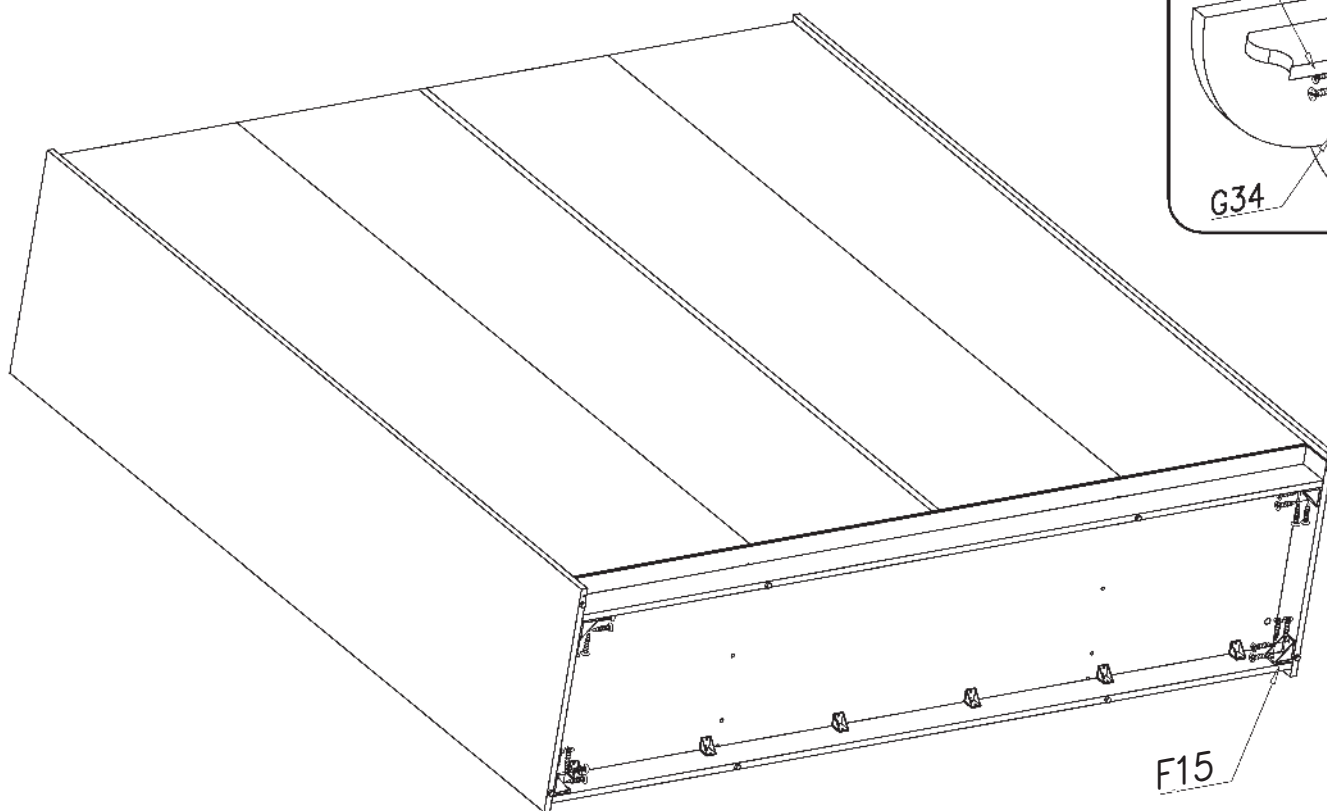
1.



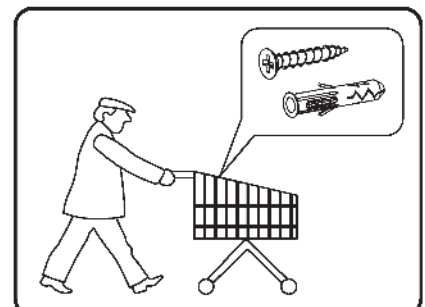
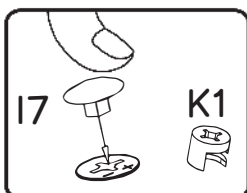
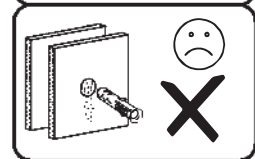
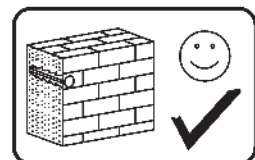
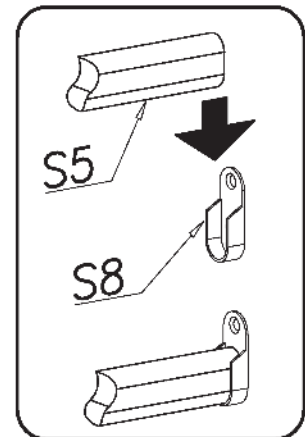
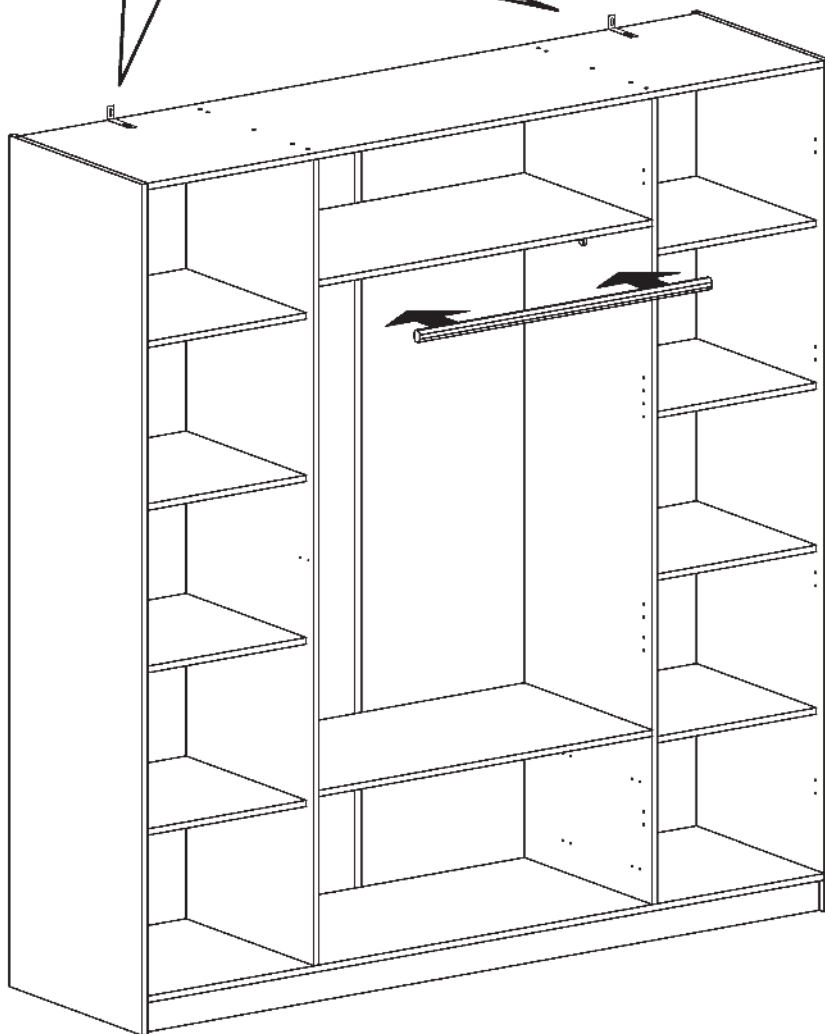
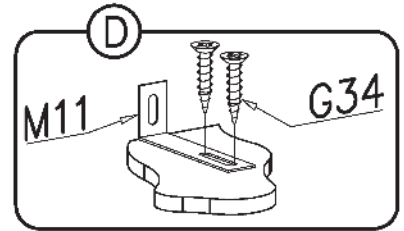
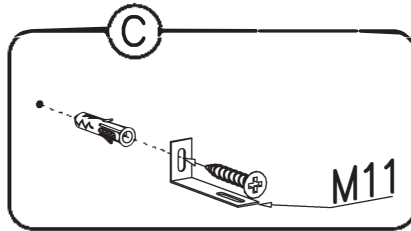
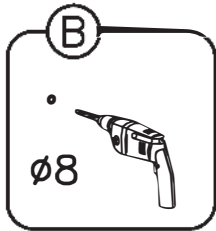
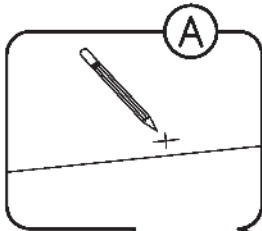
2.



XII

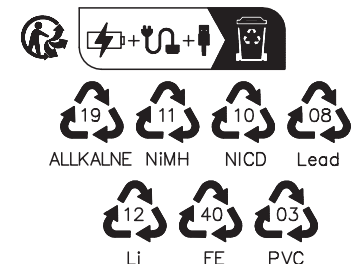
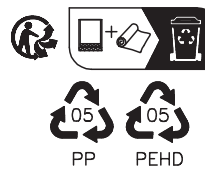
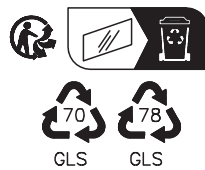
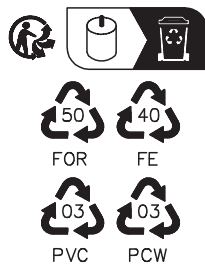
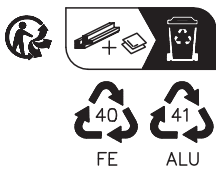
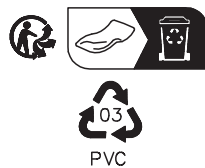
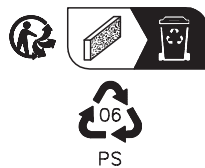
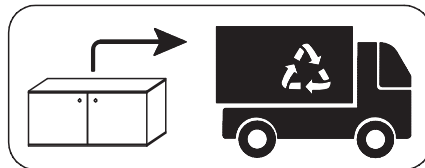
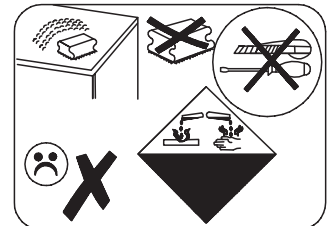
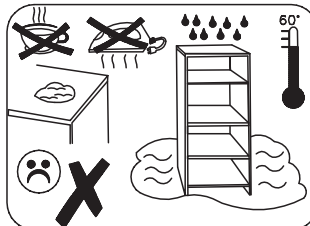
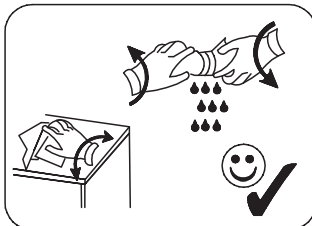
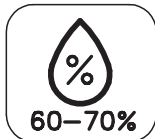
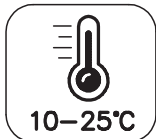
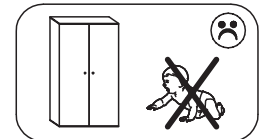
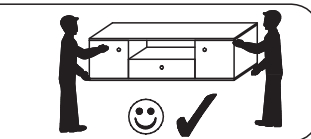
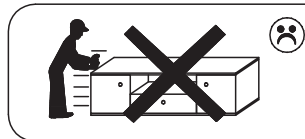
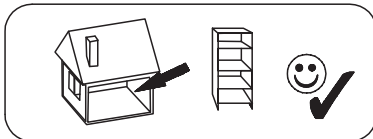
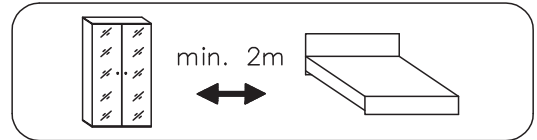
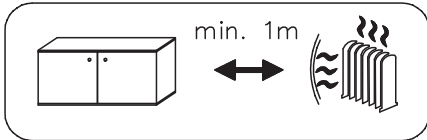
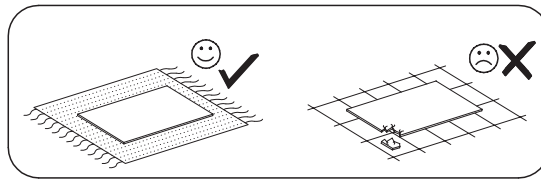
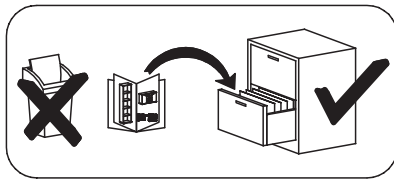


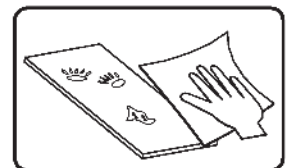
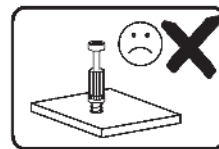
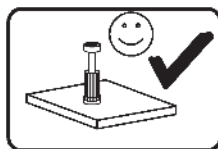
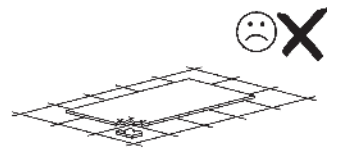
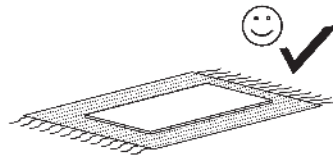
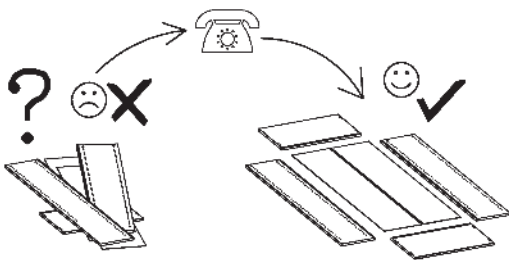
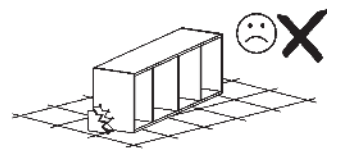
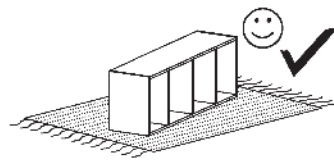
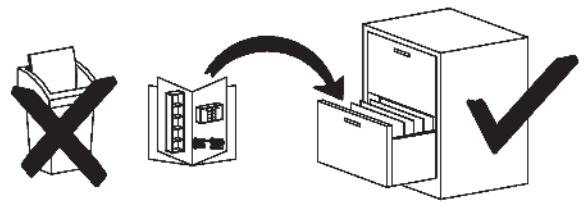
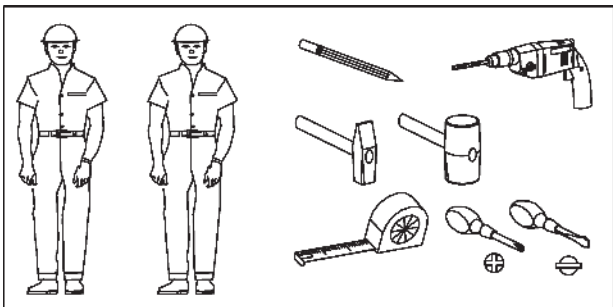
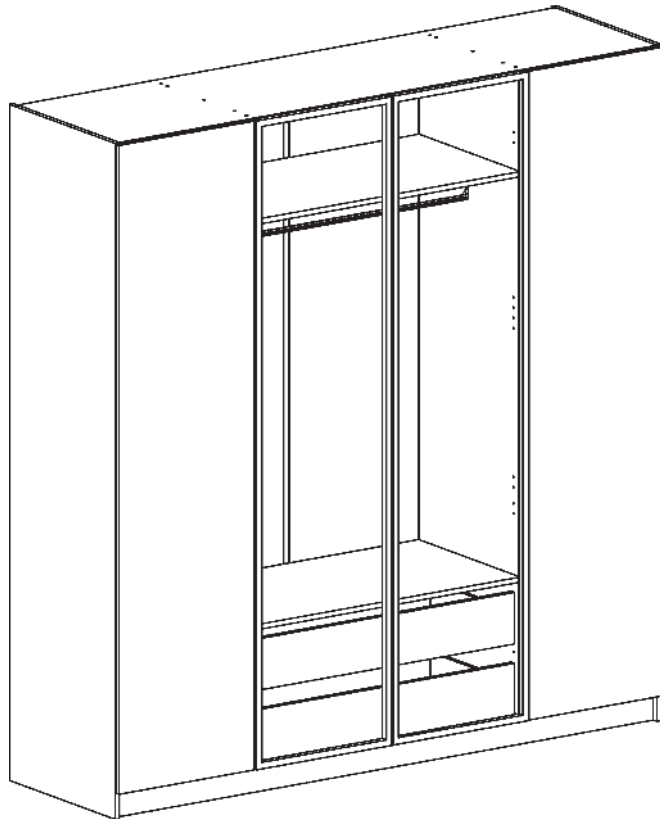
XIII

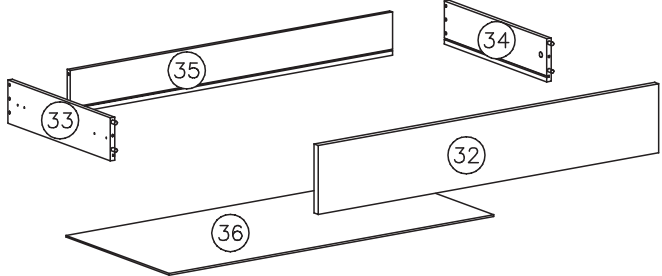
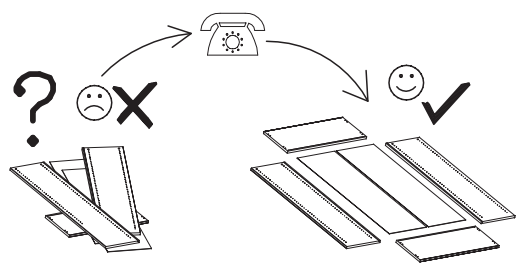
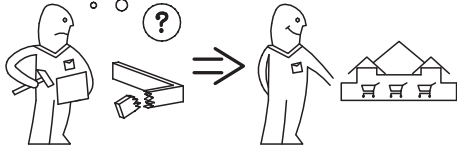
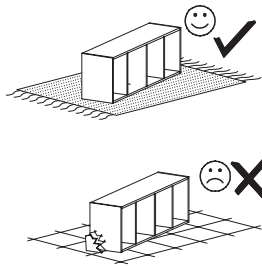


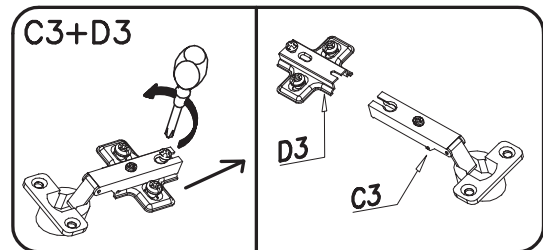
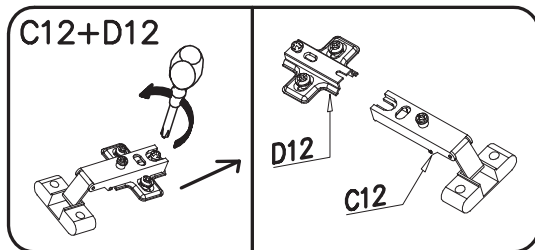
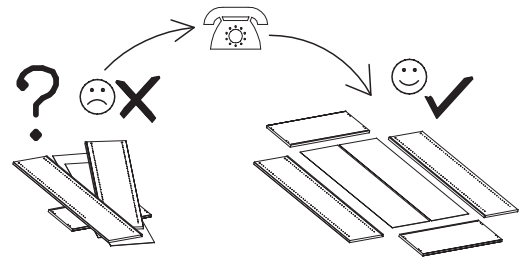
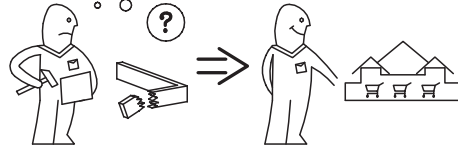
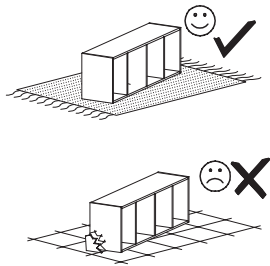


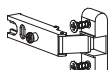
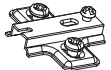
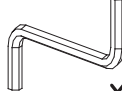

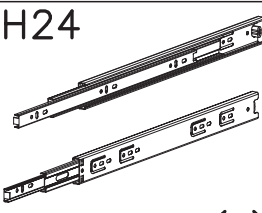
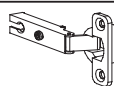


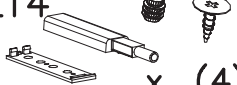
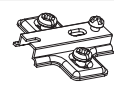
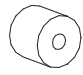

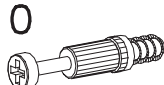




Uwaga • Upozornění • Achtung • Attention • Caution • Figyelem
 Attenzione • Opgelet • Внимание • Atenție • Upozornenie • Dikkat



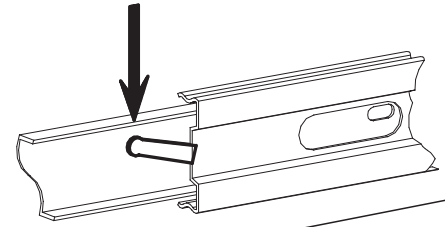
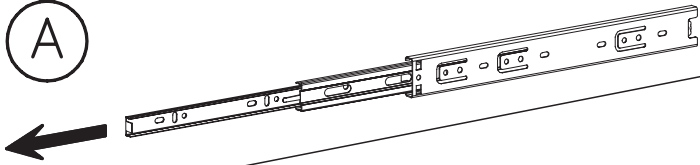




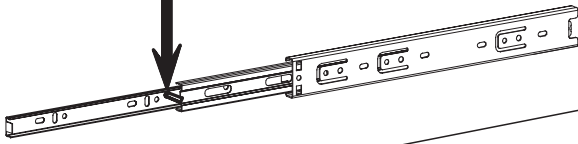


	C12  ZALPR x...(8)	D12  PZALPR x...(8)	W2  x...(1)	K4  ø12x10 x...(4)
H24  H35-400mm x...(2)	C3  Z35PR x...(8)	G34  3,5x16 x...(20)	G57  3,5x14 x...(8)	L14  x...(4)
	D3  H=2 PZ35PR x...(8)	I27  18mm x...(8)	M8  400mm x...(2)	
K10  x...(4)	W1  x...(1)	G58  6x32 x...(8)	G20  5x11 x...(8)	A6  ø7x40 x...(8)

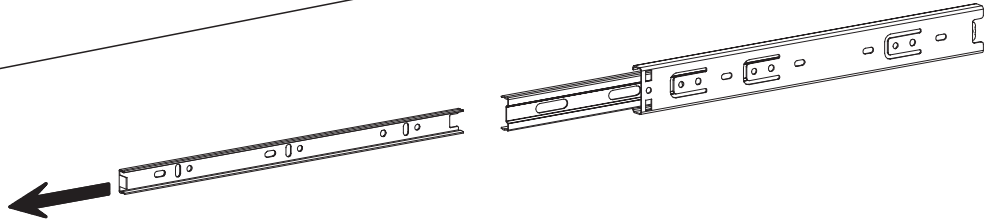
A



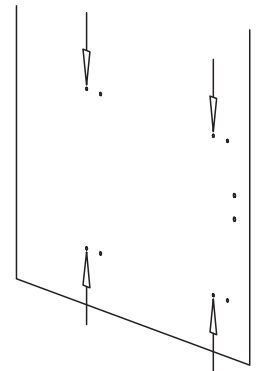
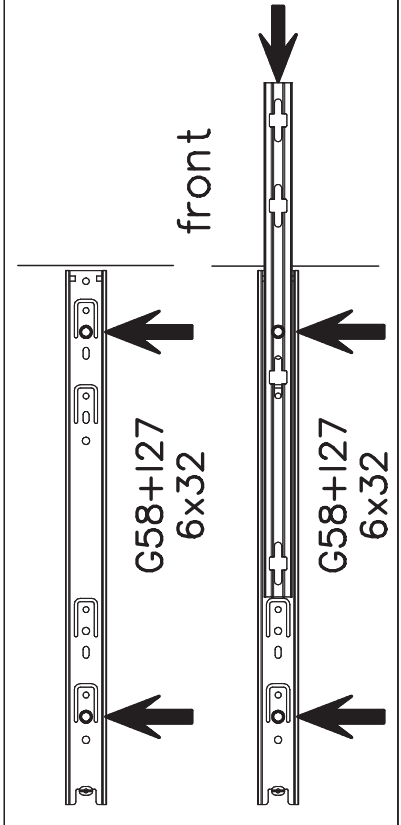
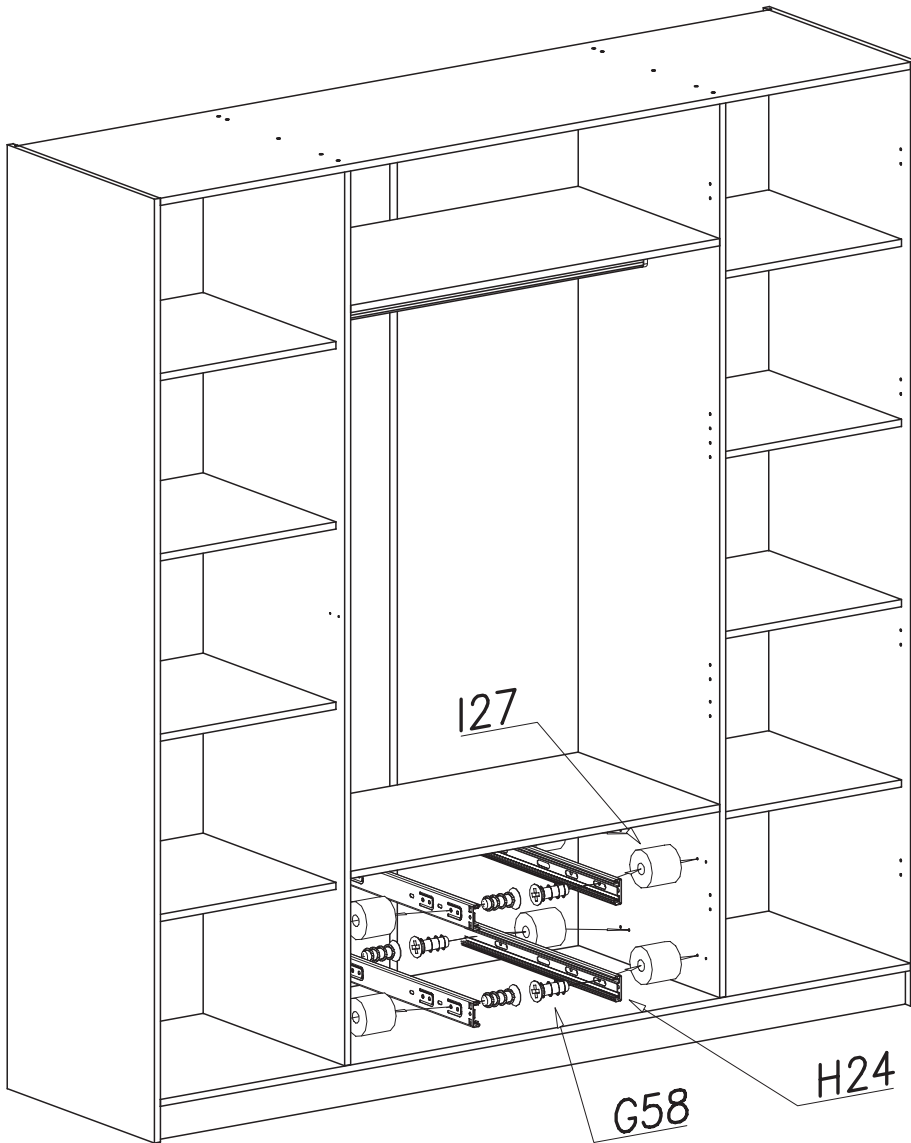
B



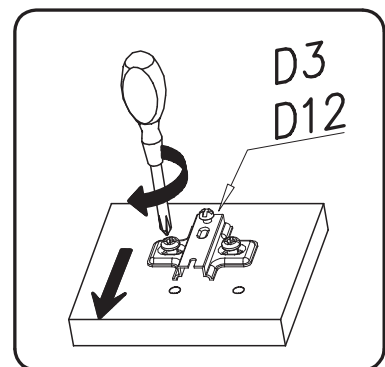
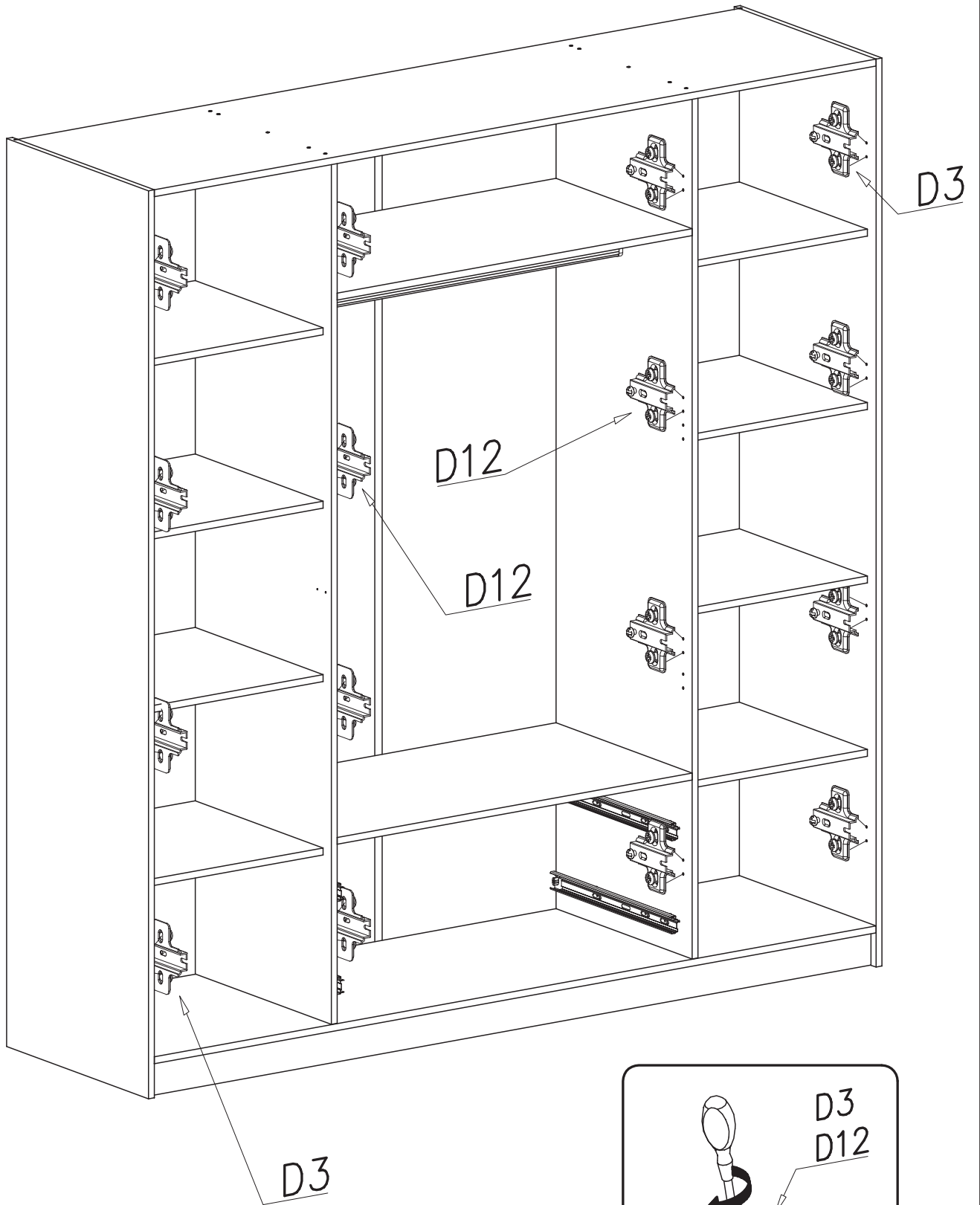
C

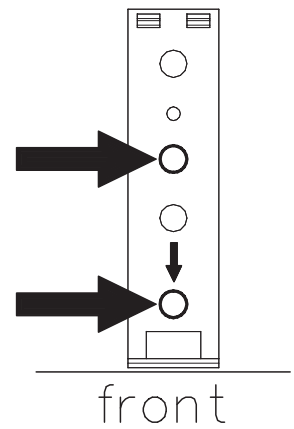
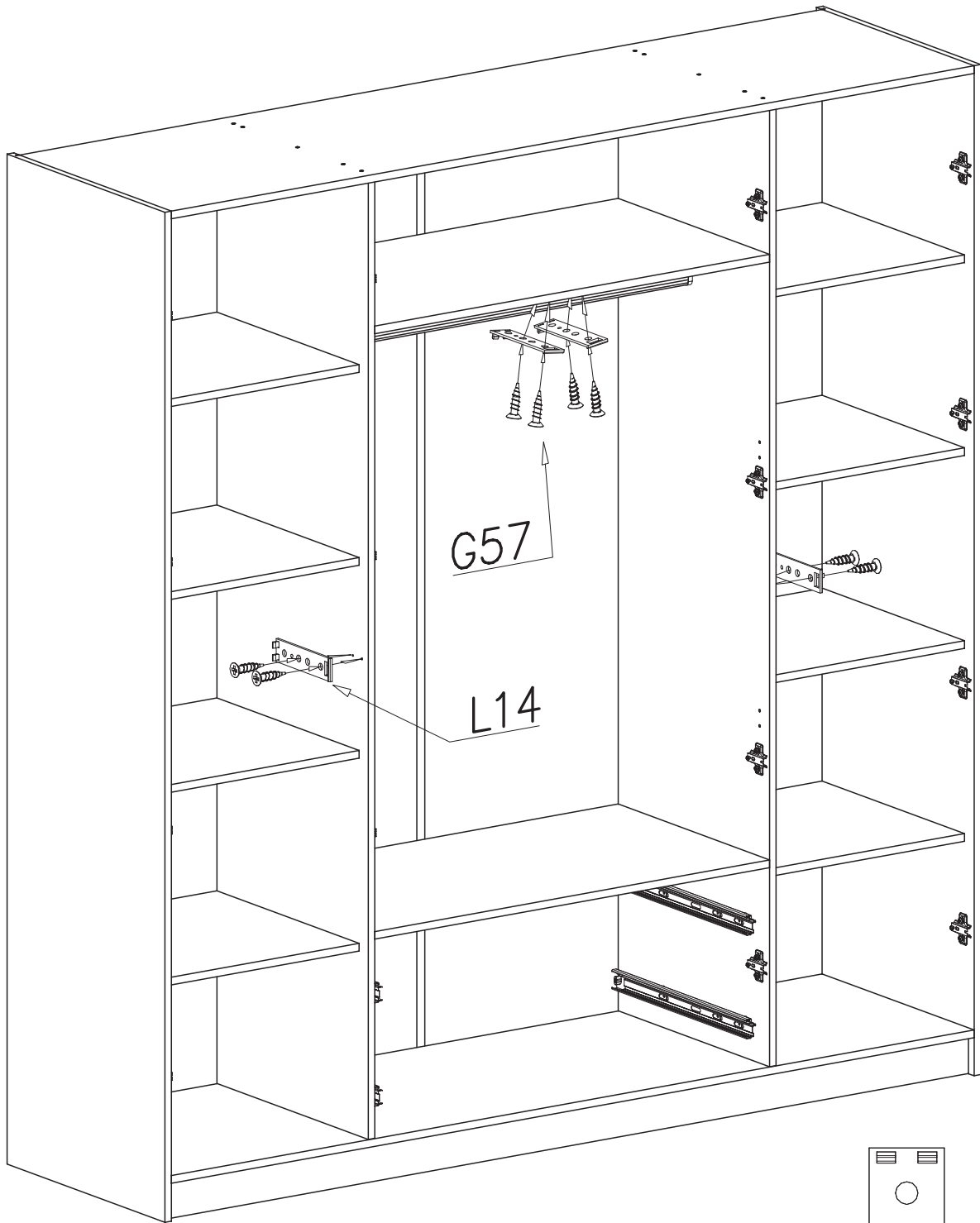


I

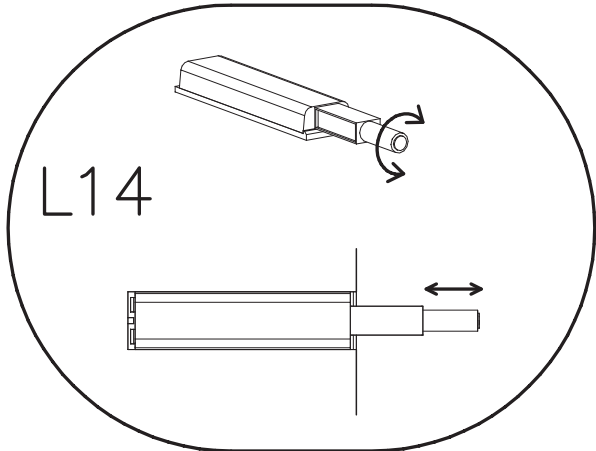
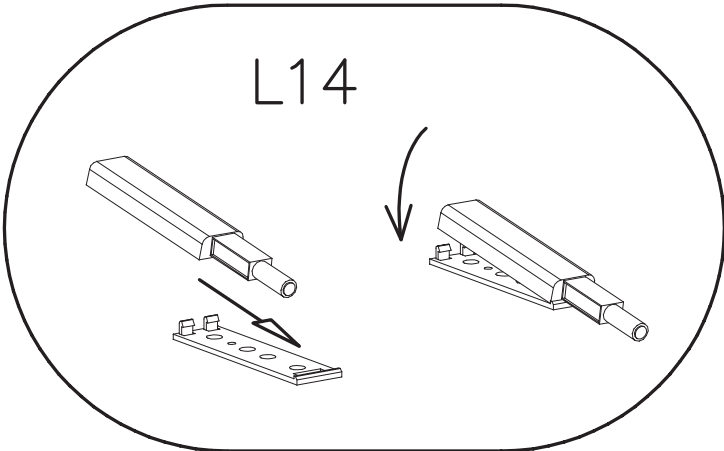
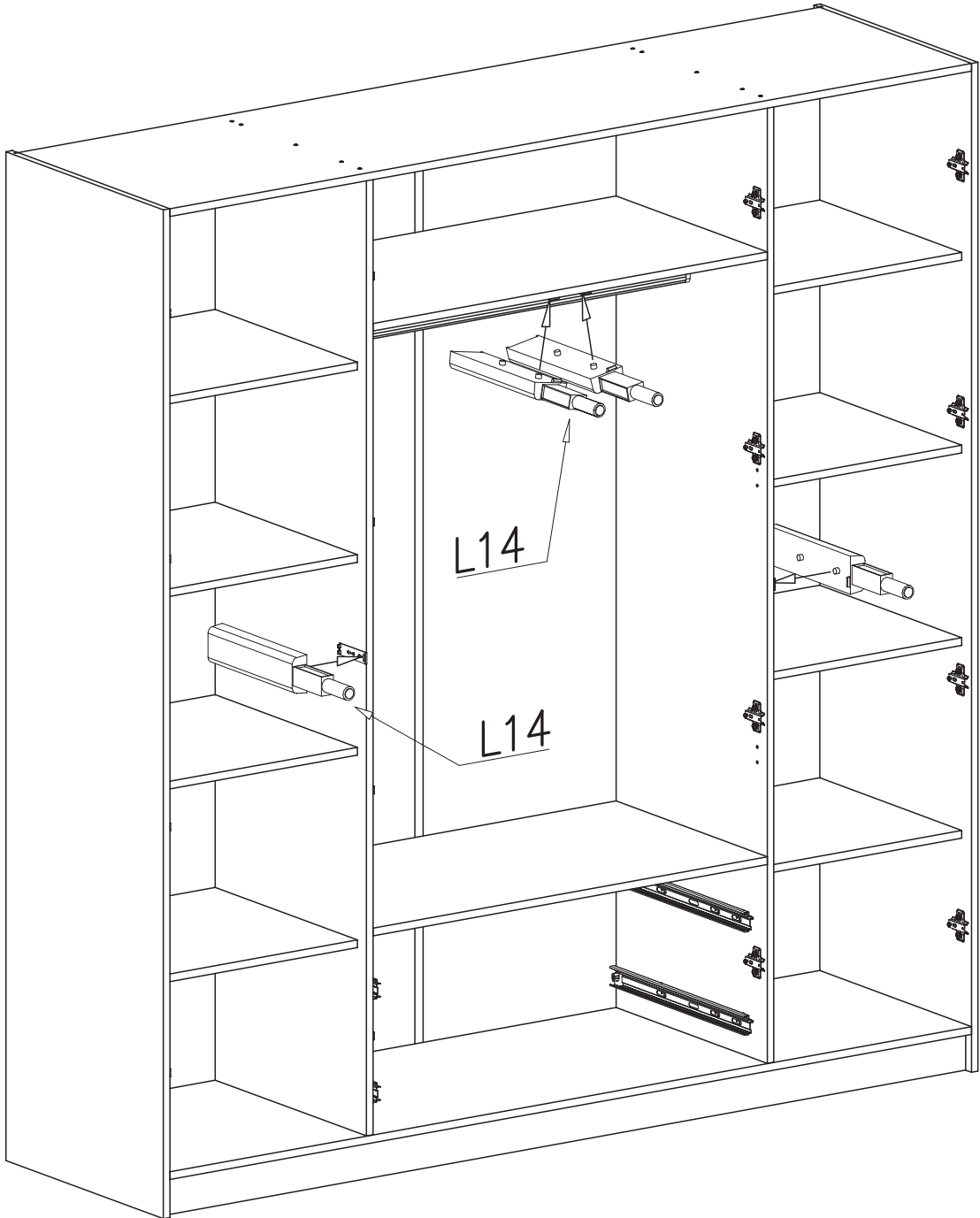


II

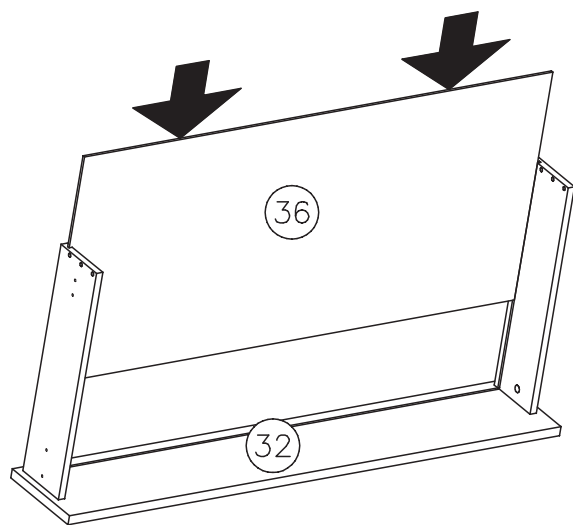
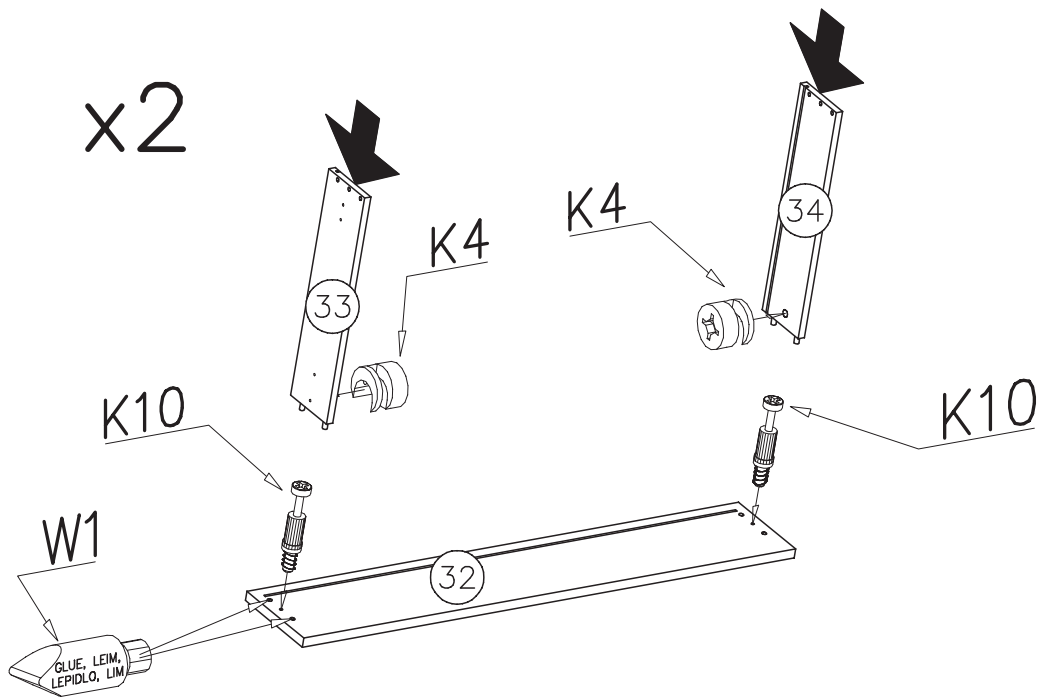




IV

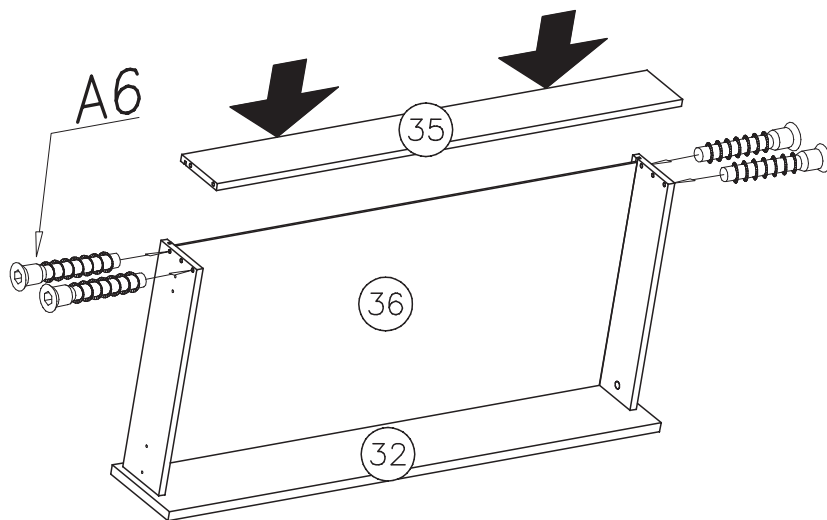


V

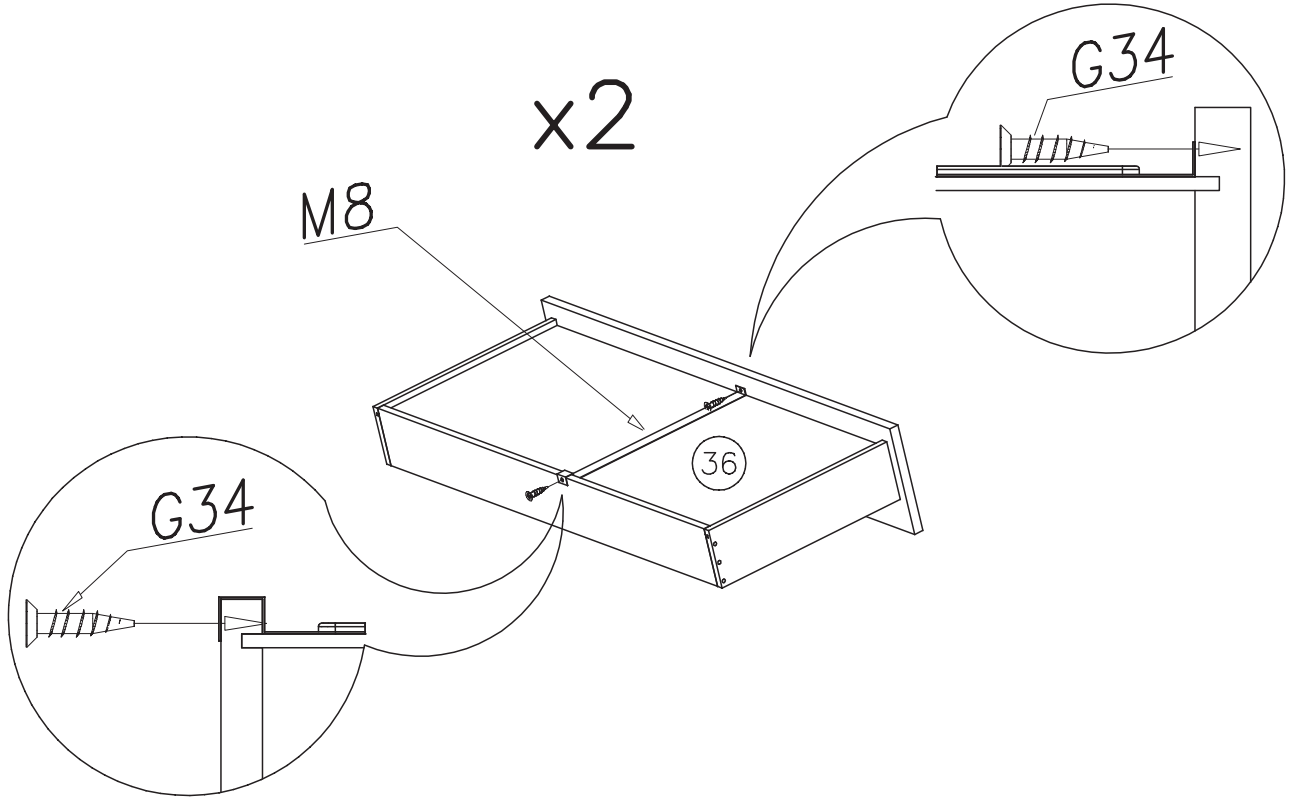


x2

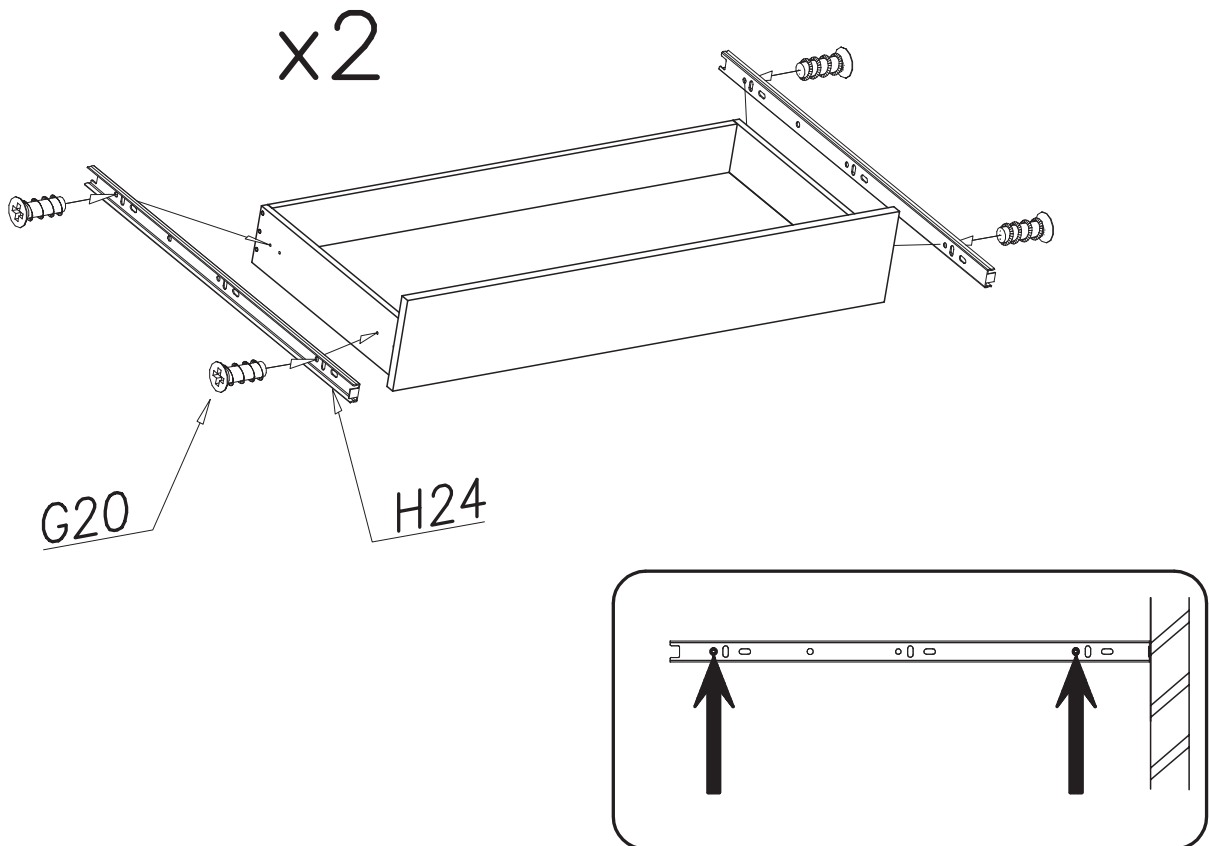
x2



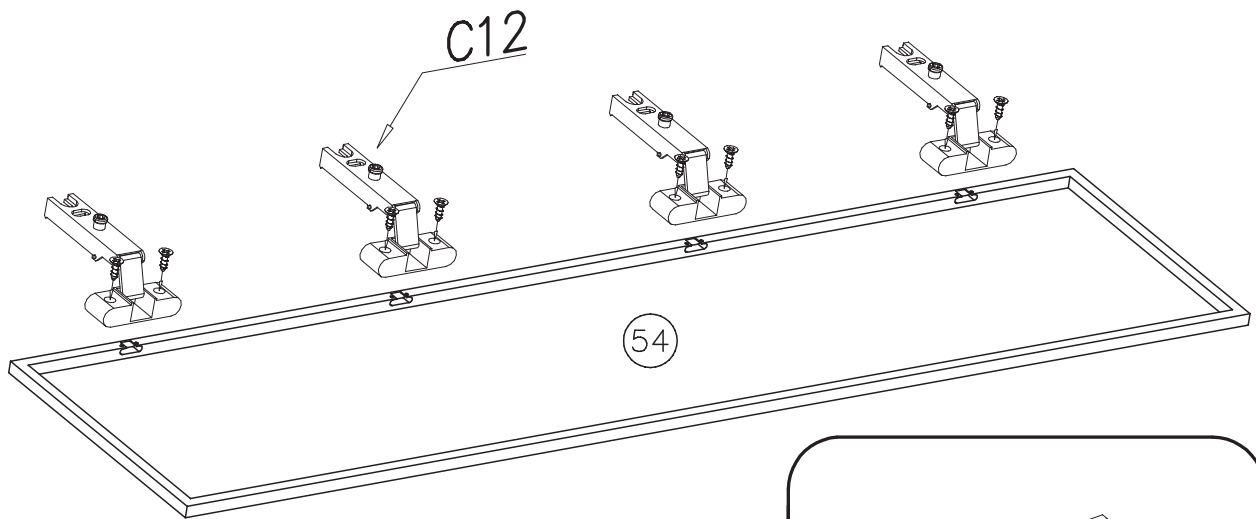
VI



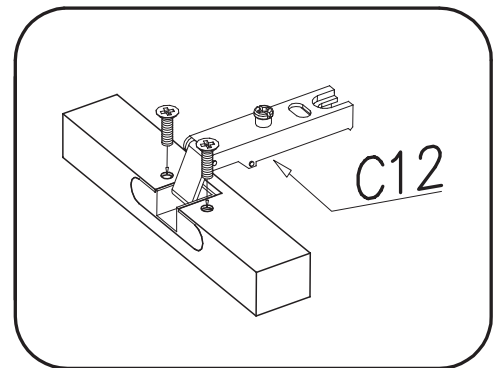
VII



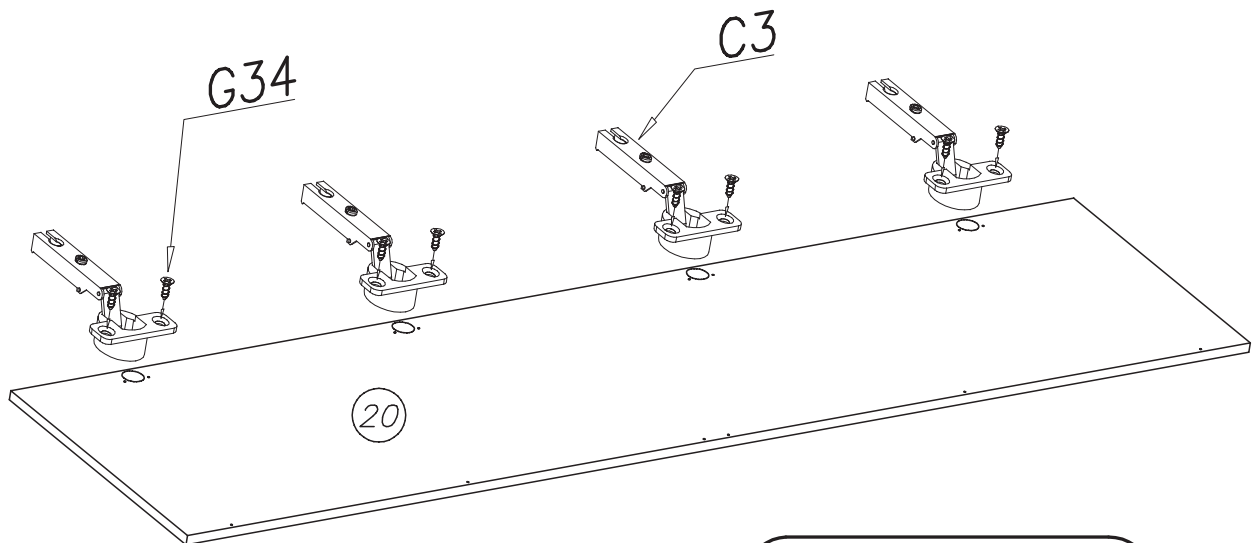
VIII



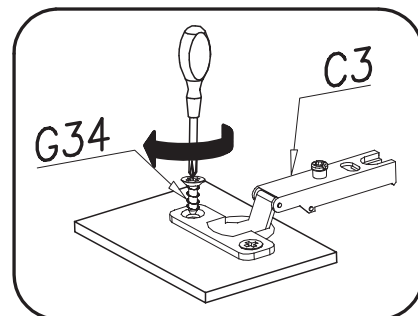
x2



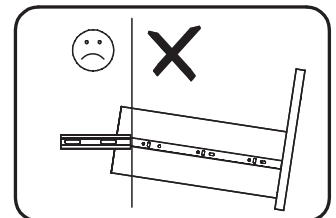
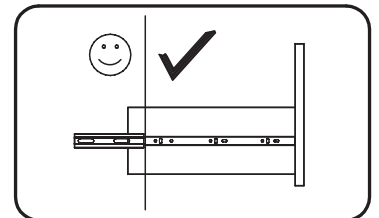
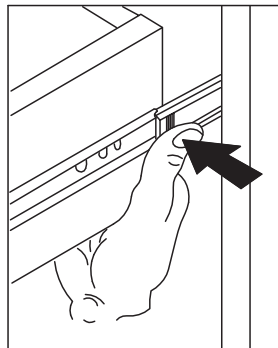
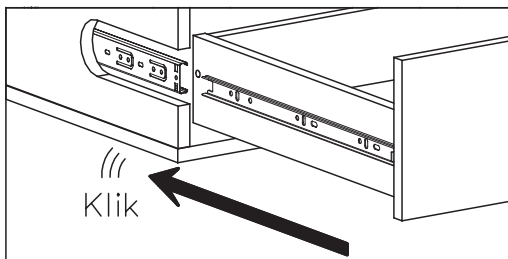
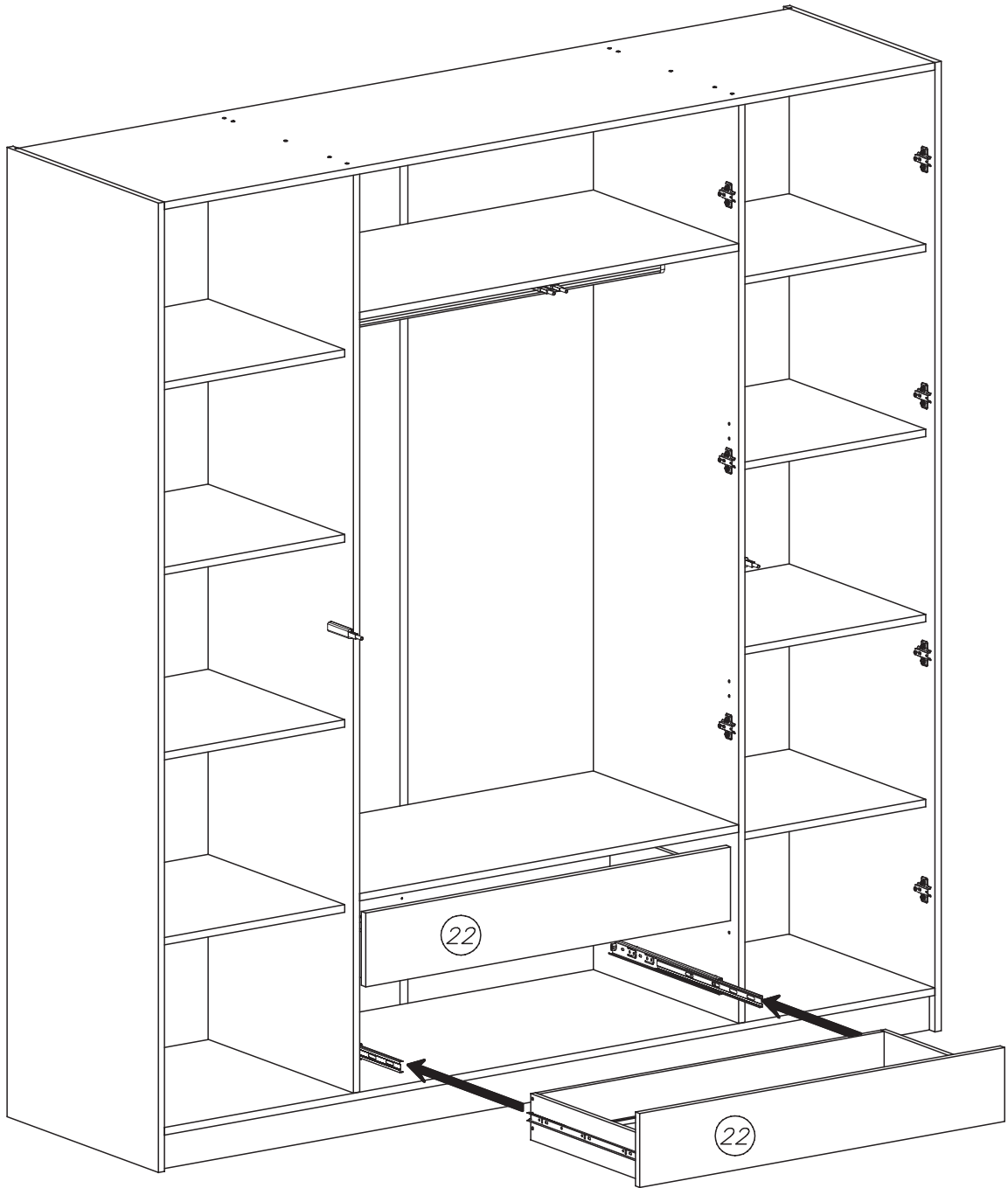
IX



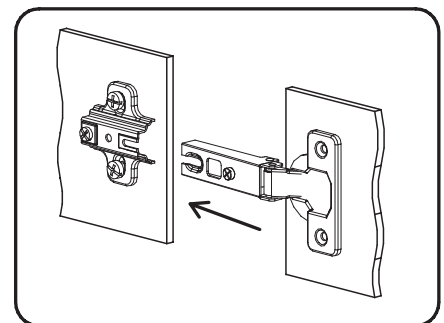
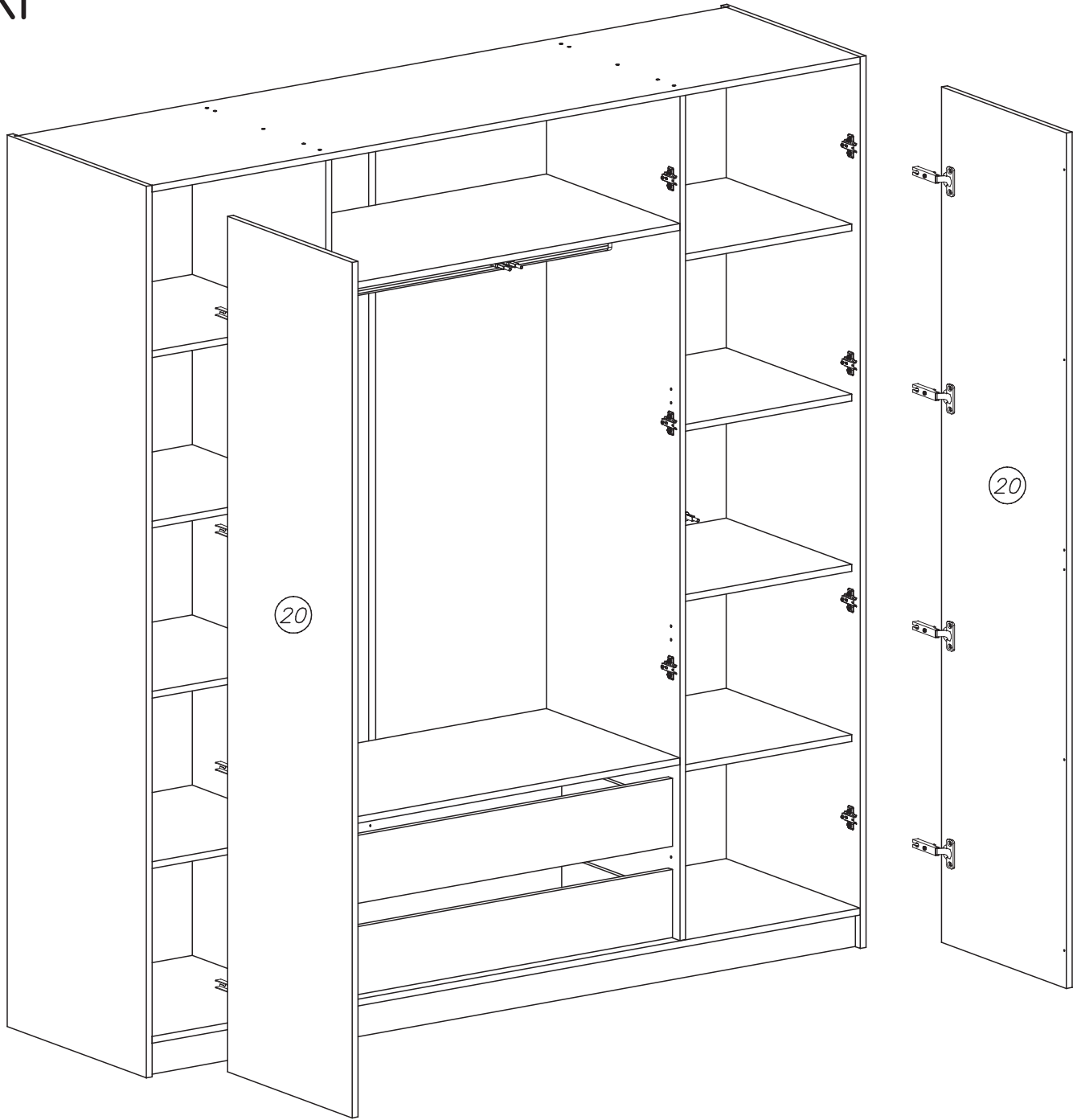
x2



X



XI



XII

