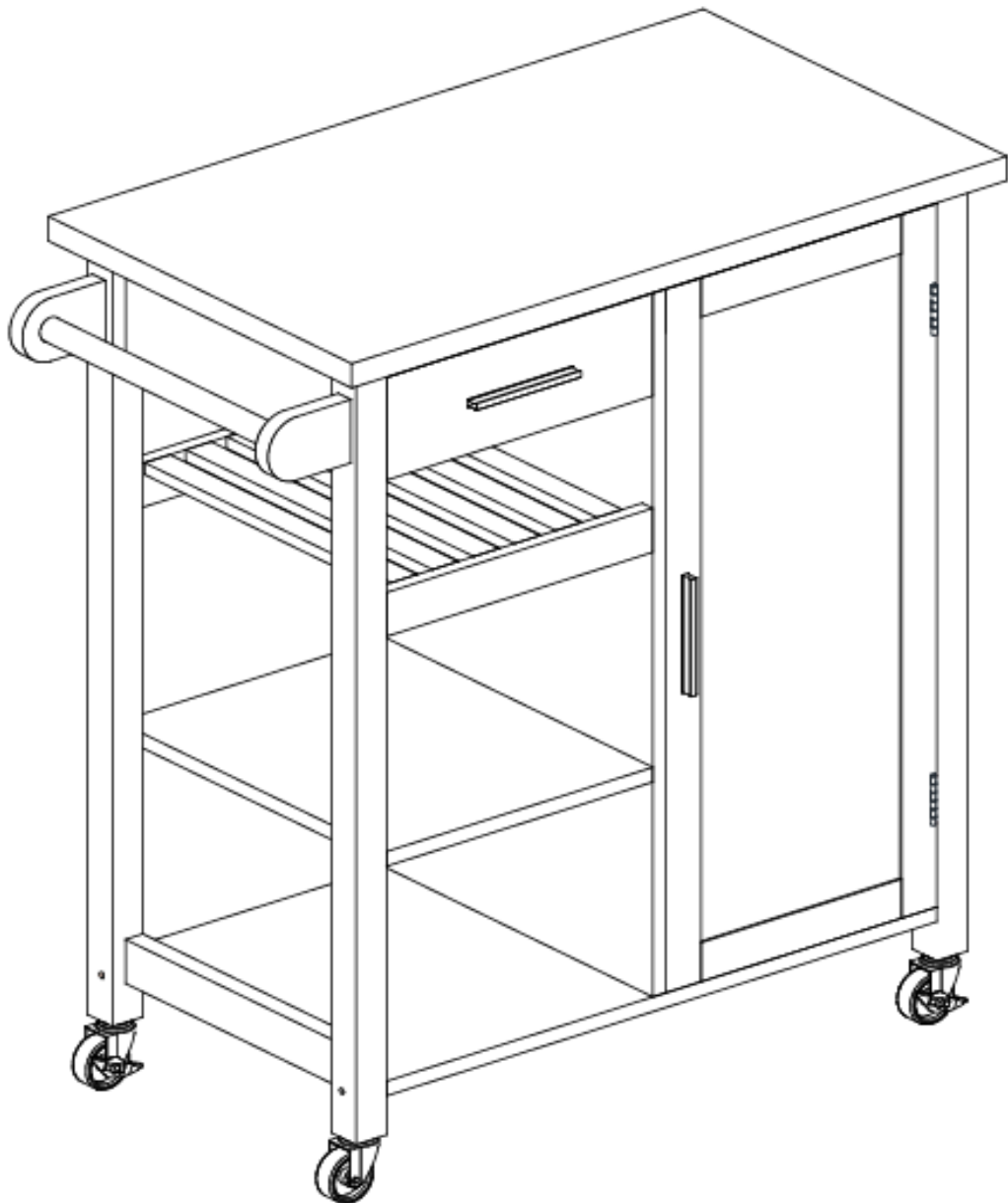


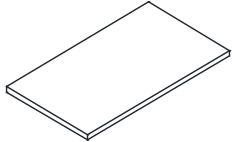
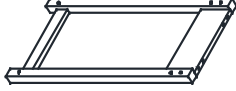

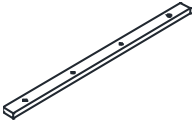
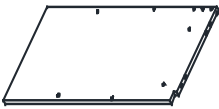
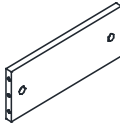
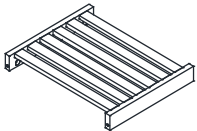
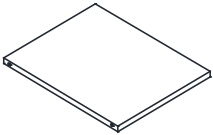
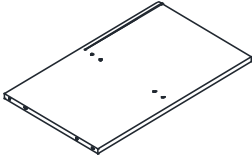

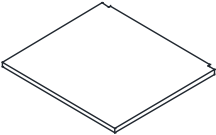
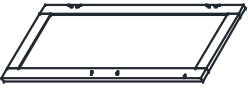
Assembly Instructions


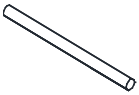
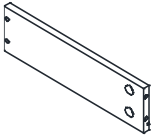
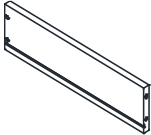
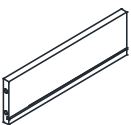
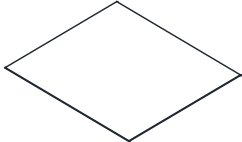
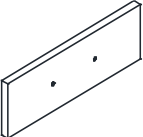
Caution : You must read this before you proceed

KITCHEN CART

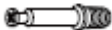







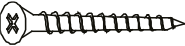





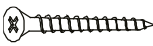




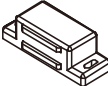



Parts List

Label	Picture	Description	QTY
A		Top Panel	1
B		Left Side Panel	1
C		Right Side Panel	1
D		Stretcher	1
E		Partition	1
F		Back Panel	1
G		Upper Shelf	1
H		Medium Shelf	1
I		Bottom Panel	1
J		Back Panel	1
K		Bottom Shelf	1
L		Door Panel	1

M		Hanger Rail	2
N		Towel Rail	1
O		Drawer Left Side Panel	1
P		Drawer Right Side Panel	1
Q		Drawer Back Panel	1
R		Drawer Bottom Panel	1
S		Drawer Front Panel	1

Hardware

Label	Picture	Description	QTY
①		Cam Bolt	21
②		Cam Lock	21
③		Screw (M5x50mm)	5
④		Allen Key	1
⑤		Screw (M3x12mm)	10
⑥		Dowel	17

⑦		Screw (M4x35mm)	7
⑧		Bolt Nut	5
⑨		Bolt (M6x65mm)	5
⑩		Wheel (with brake)	2
⑪		Wheel	2
⑫		Wrench	1
⑬		Screw (M4x25mm)	5
⑭		Hinge	2
⑮		Bracket	1
⑯		Handle	2
⑰		Screw (M4x20mm)	5
⑱		Magnet	1
⑲		Screw (M3x14mm)	3
⑳		Pin	5
㉑		Cabinet Slider	2



- Read instructions, cover to cover-



- Have 2 adults on hand for assembly-



- Do not assemble on flooring or carpet-



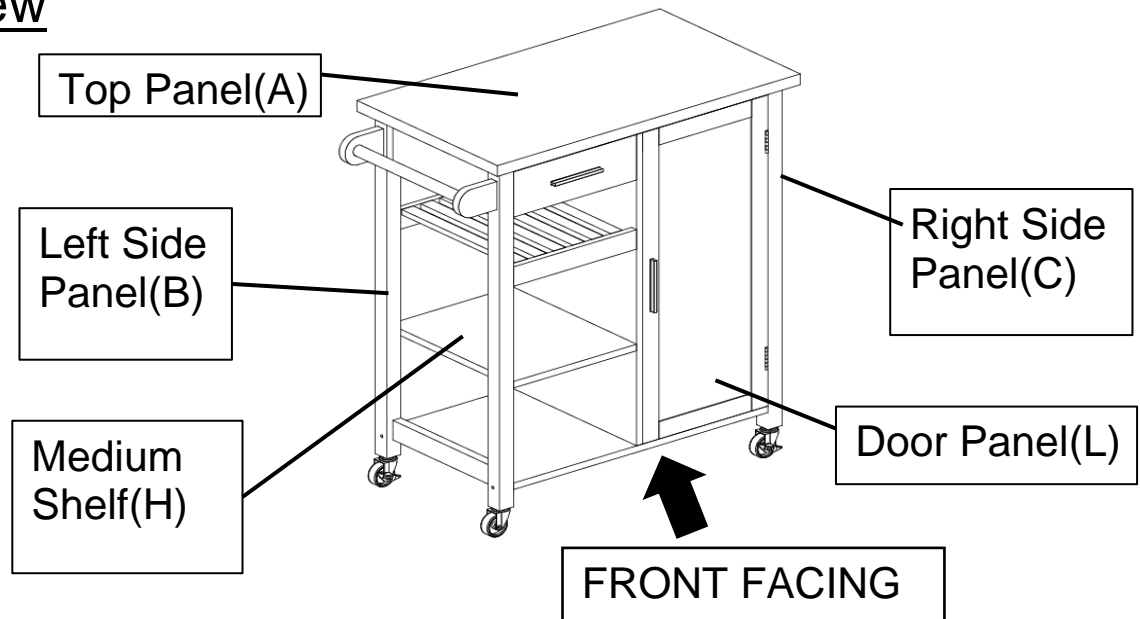
- Assemble on a clean non-marring surface (packing foam)-



- Save all packaging until finished-

Assembly Steps

Overview

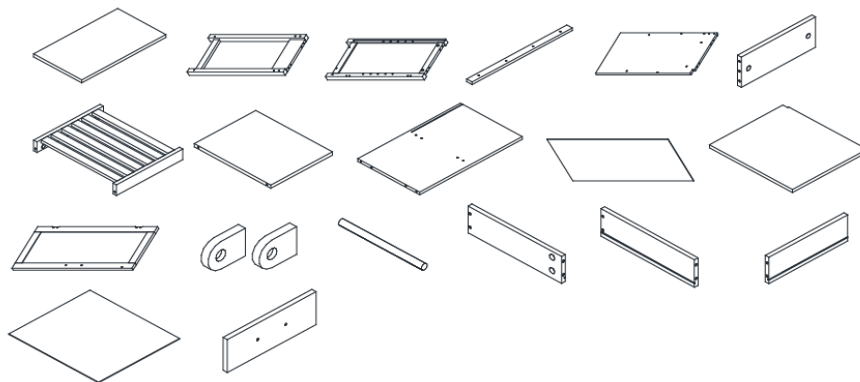


This Kitchen Cart has multiple parts and may require up to 60 minutes to assemble.

To give you an overview of the Kitchen cart parts, the above picture is to help you put the various parts into perspective.

Please read through the instructions below to familiarise yourself with the parts and steps before assembly.

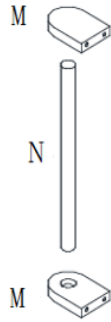
Step 1



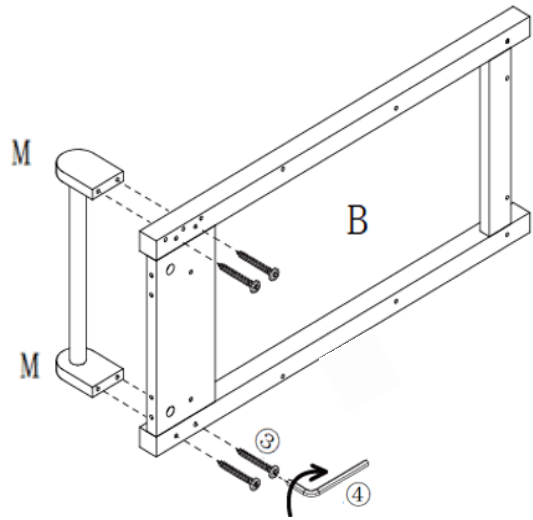
Unpack and place all parts on a clean, non-marring surface.

Step 2

2.1



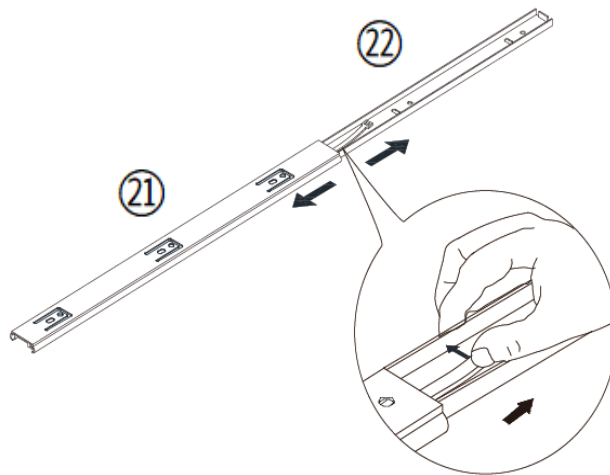
2.2



2.1) Connect Hanger Rail(M) and Towel Rail(N).

2.2) Attach Left Side Panel(B) to M using Screw(③) with Allen Key(④) as shown.

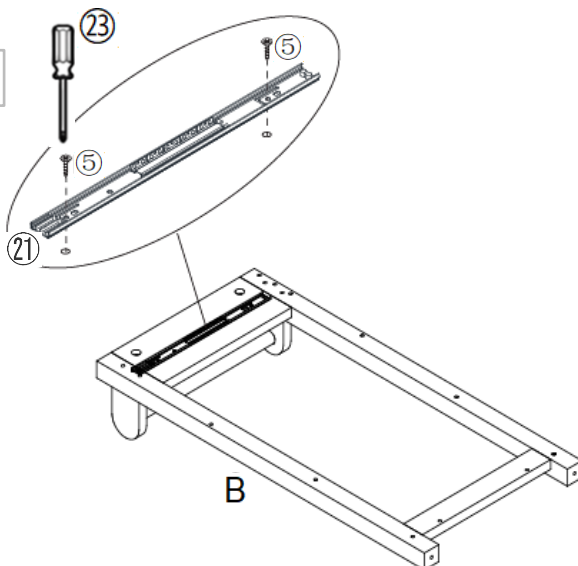
Step 3



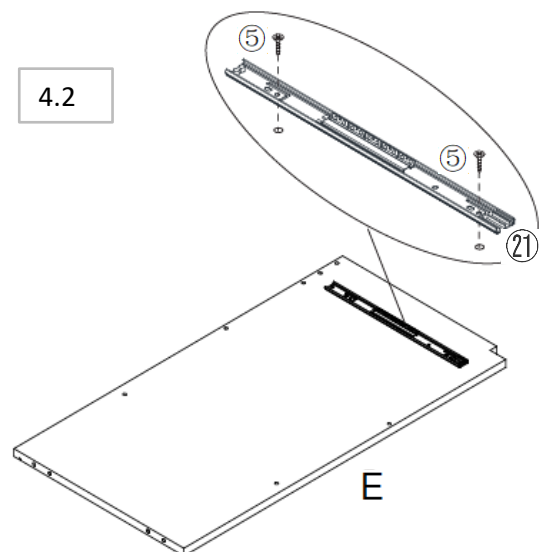
Separate the two sliders as shown.

Step 4

4.1



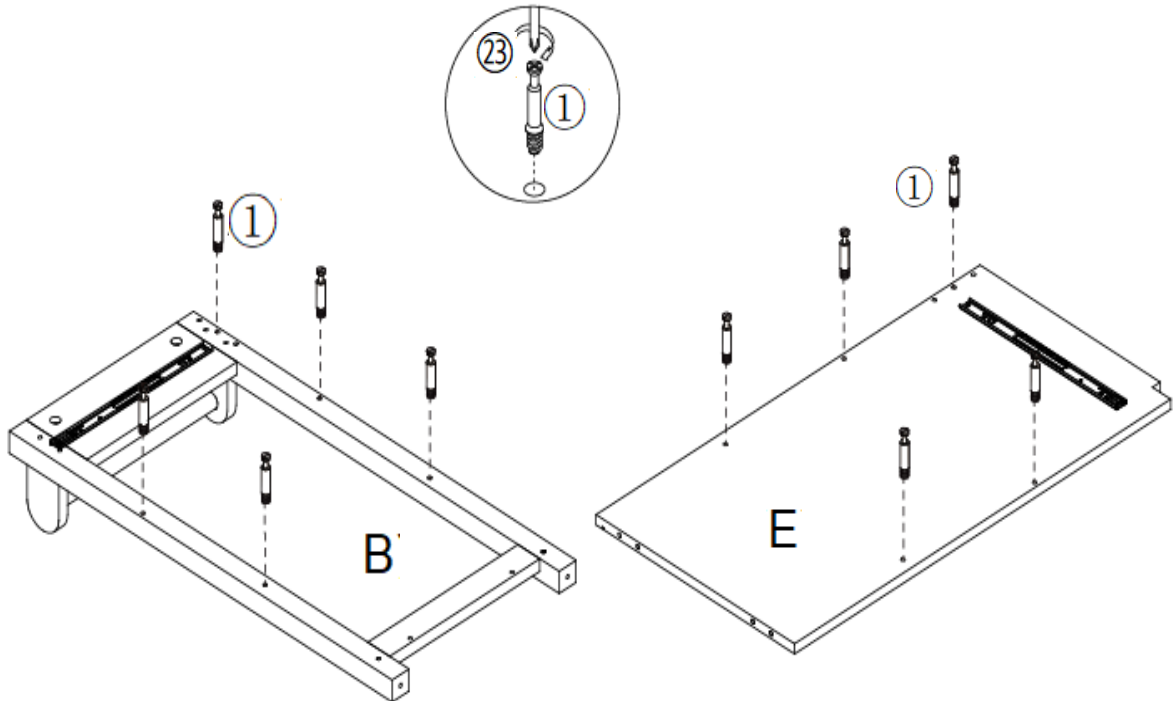
4.2



4.1) Attach Cabinet Slider(21) to Left Side Panel(B) using Screw(5) with Screwdriver(23).

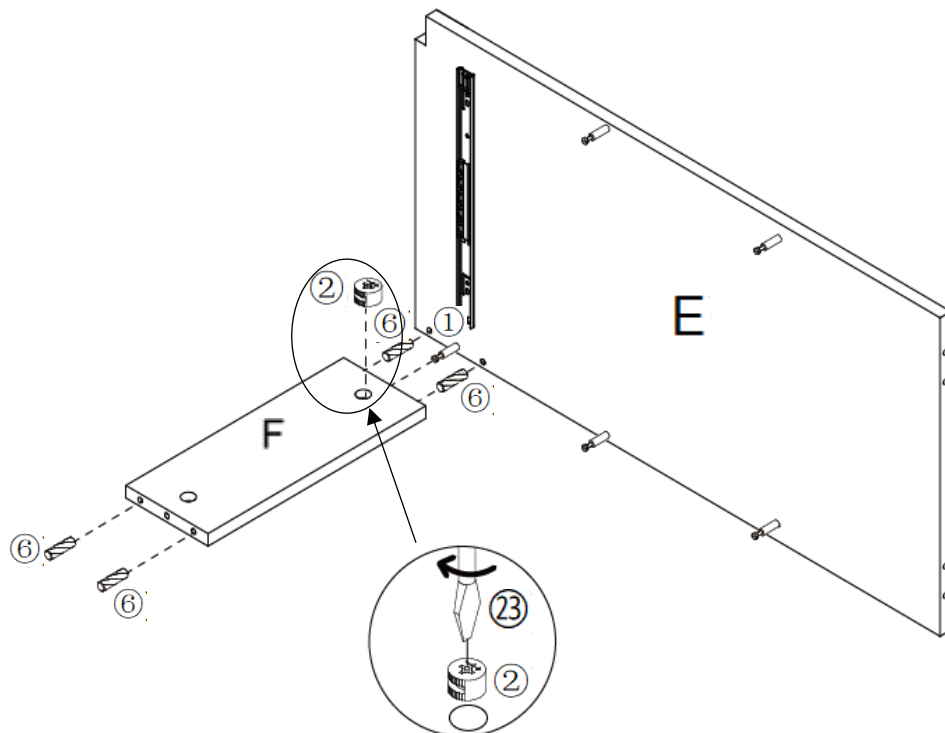
4.2) Attach Cabinet Slider(21) to Partition(E) using Screw(5) with Screwdriver(23).

Step 5



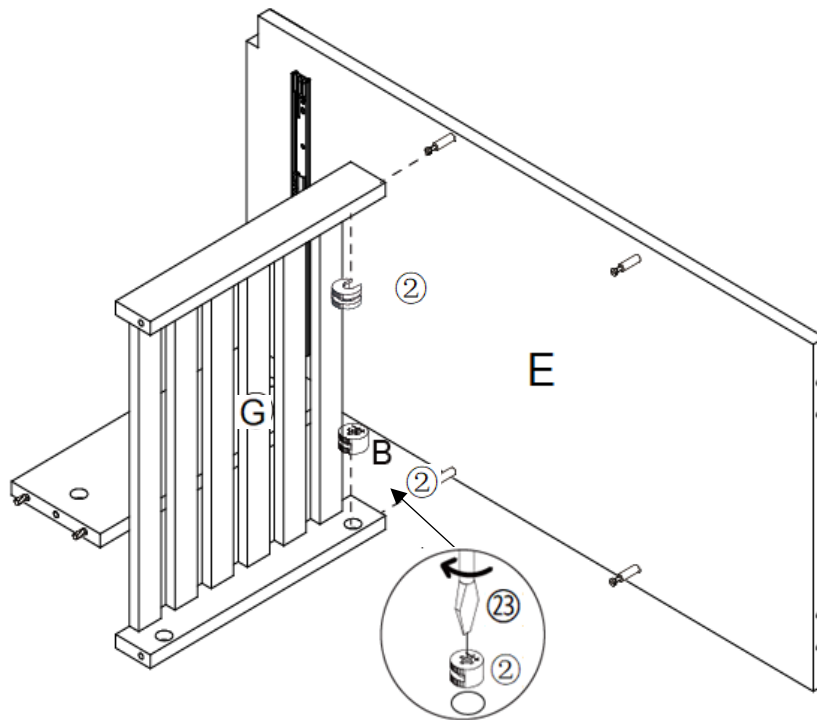
Insert Cam Bolt(1) into the mounting positions on the Left Side Panel(B) and Partition(E) using Screwdriver(23) as shown.

Step 6



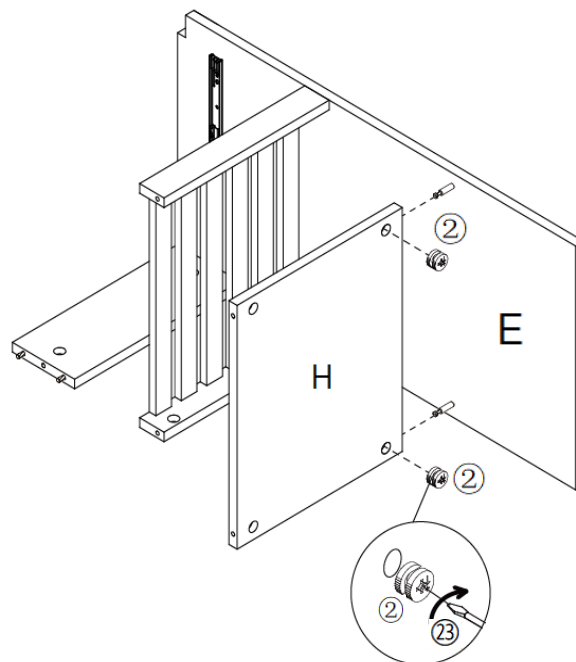
Attach Back Panel(F) to the Dowel(⑥) and Cam Bolt(①) on Partition(E), insert Cam Lock(②) into the Back Panel(F) using Screwdriver(⑳) as shown.

Step 7



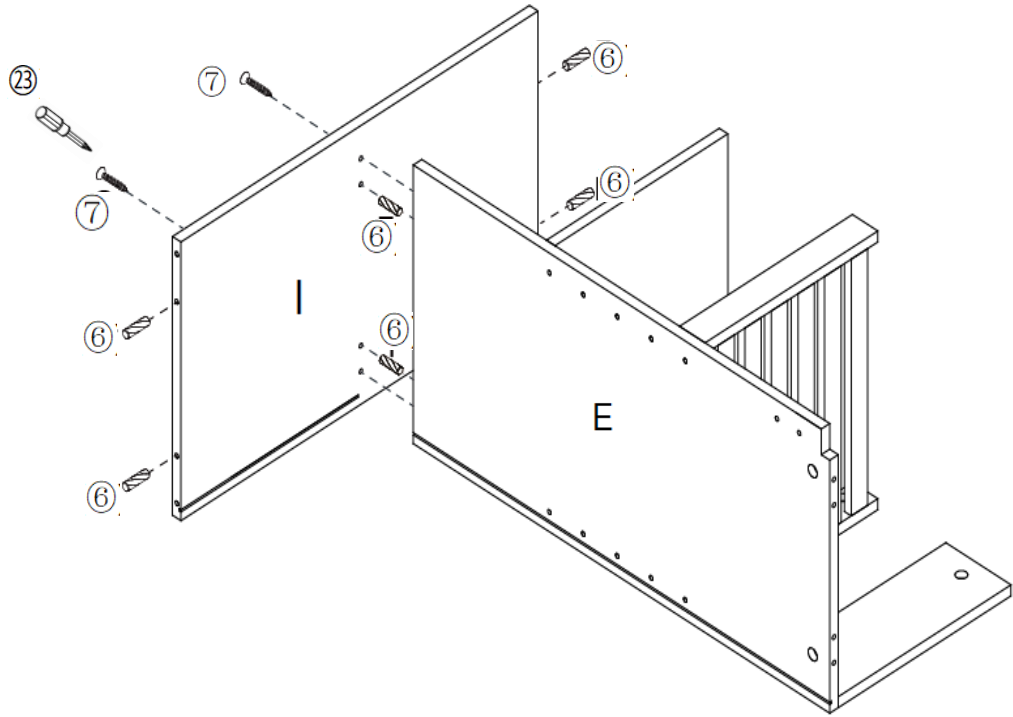
Attach Upper Shelf(G) to the Partition(E). Then inserting Cam Lock(②) into the Upper Shelf(G) using Screwdriver(㉓) as shown.

Step 8



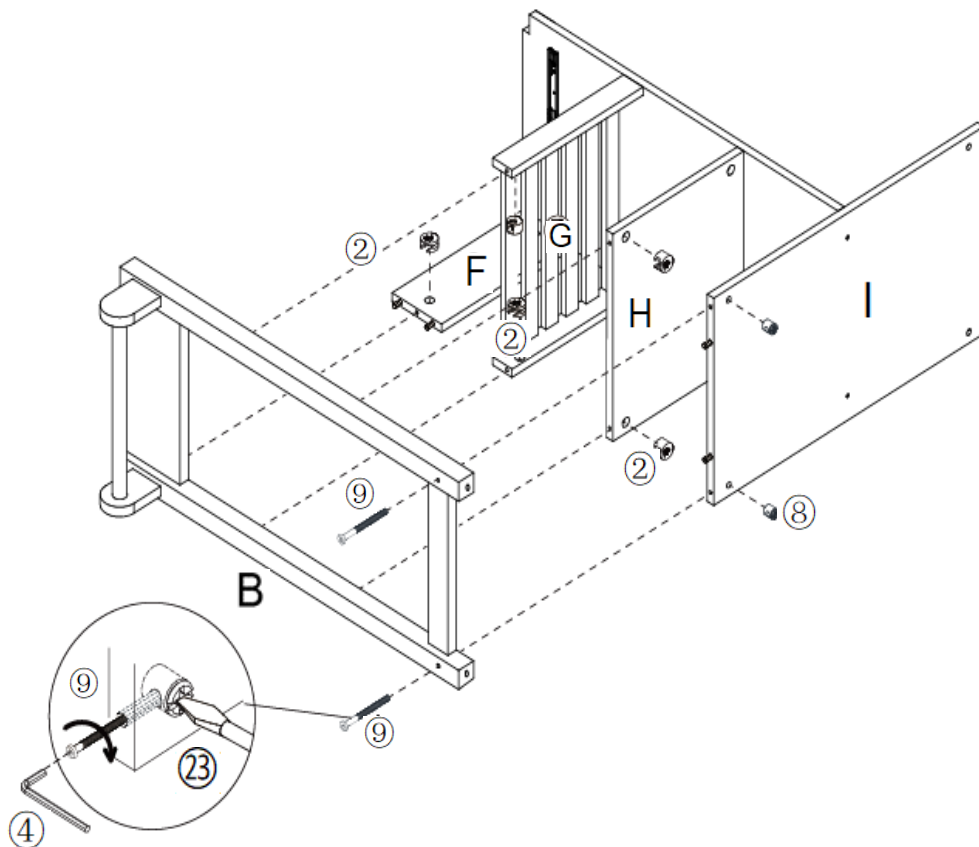
Attach Medium Shelf(H) to the Partition(E). Then inserting Cam Lock(②) into the Medium Shelf(H) using Screwdriver(㉓) as shown.

Step 9



Insert Dowel(⑥) into the mounting positions on Bottom Panel(I). Attach Bottom Panel(I) to the Dowel(⑥) on Partition(E), then attach Bottom Panel(I) to the Partition(E) using Screw(⑦) with Screwdriver(⑳) as shown.

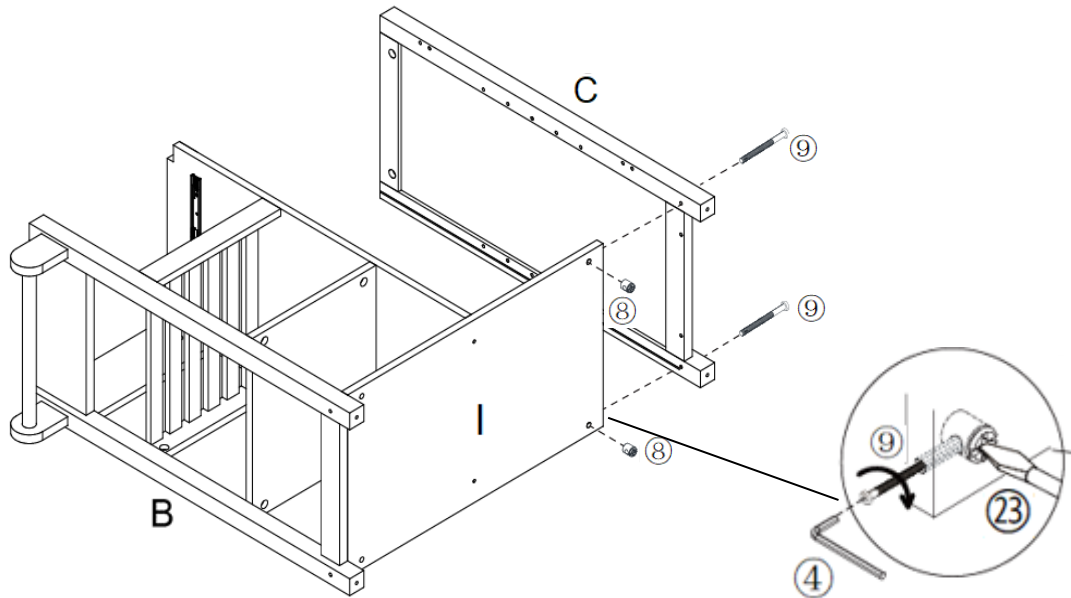
Step 10



Attach Left Side Panel(B) to Back Panel(F),Upper Shelf(G) and Medium Shelf(H), inserting Cam Lock(②) into the Back Panel(F),Upper Shelf(G) and Medium Shelf(H) using Screwdriver(⑬) as shown.

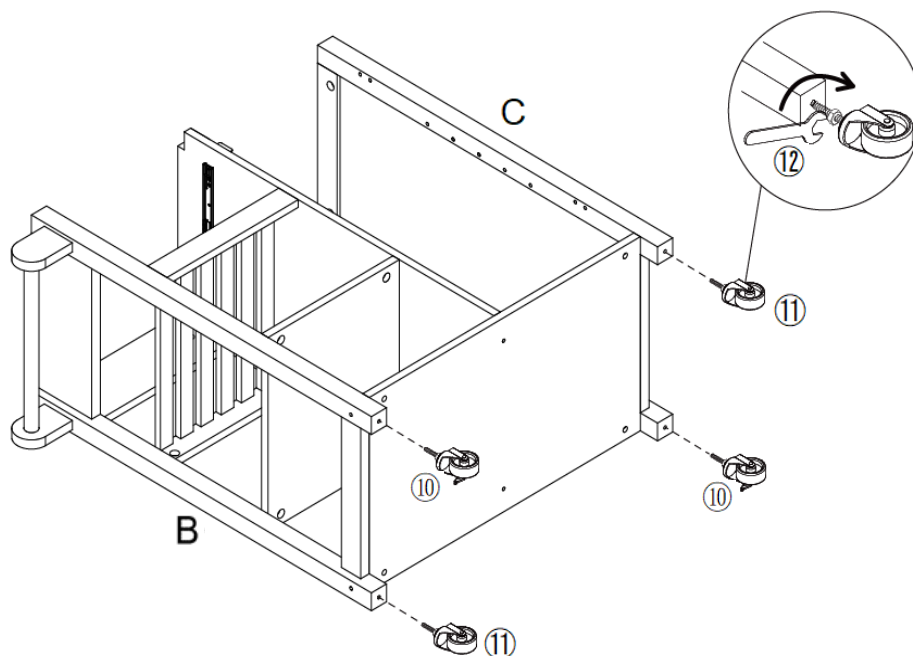
Then attach Left Side Panel(B) to the Bottom Panel(I) with Bolt(⑨) and Bolt Nut(⑧) using Allen Key(④) and Screwdriver(⑬) as shown.

Step 11



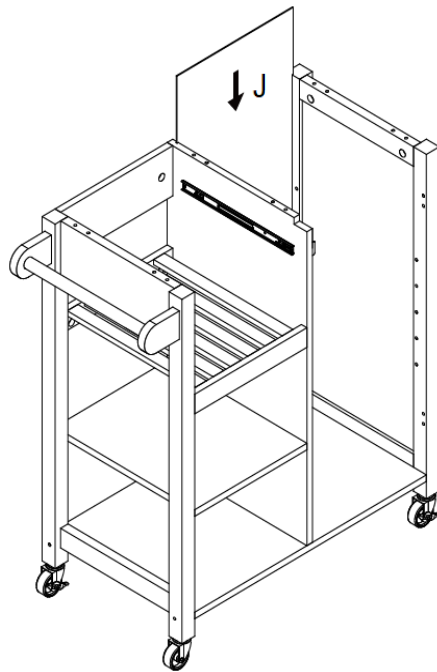
Attach Right Side Panel(C) to Bottom Panel(I) using Bolt(⑨) and Bolt Nut(⑧) with Allen Key(④) and Screwdriver(⑬) as shown.

Step 12



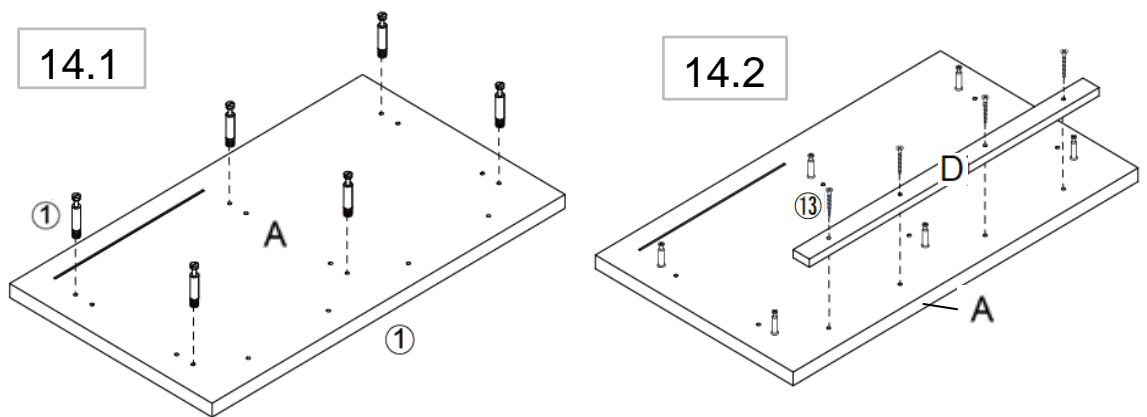
Attach Wheel with brake(⑩) and Wheel(⑪) to Left Side Panel(B) and Right Side Panel(C) using Wrench(⑫).

Step 13



Insert the Back Panel(J) by sliding in the panel into the grooving as shown.

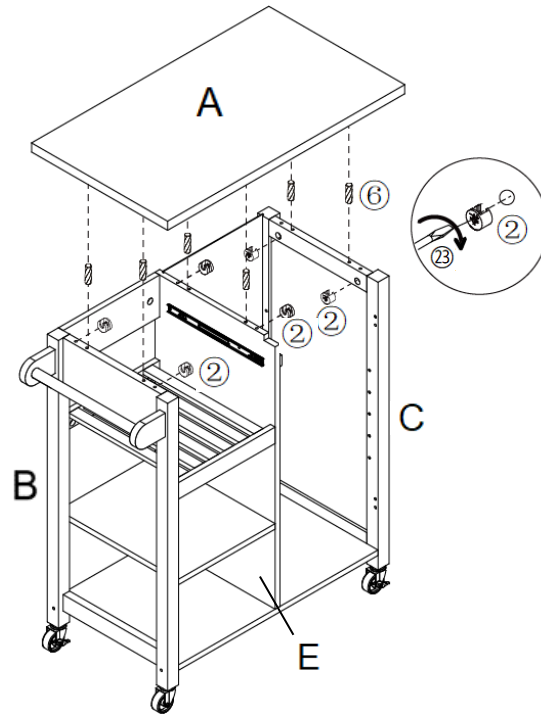
Step 14



14.1) Attach Cam Bolt(①) to the mounting positions on Top Panel(A) using Screwdriver(②) as shown.

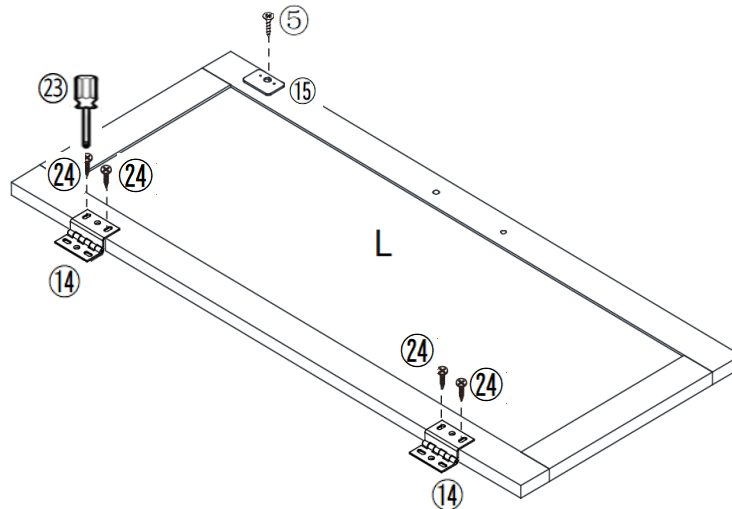
14.2) Attach Stretcher(D) to the Top Panel(A) using Screw(⑬) with Screwdriver(②) as shown.

Step 15



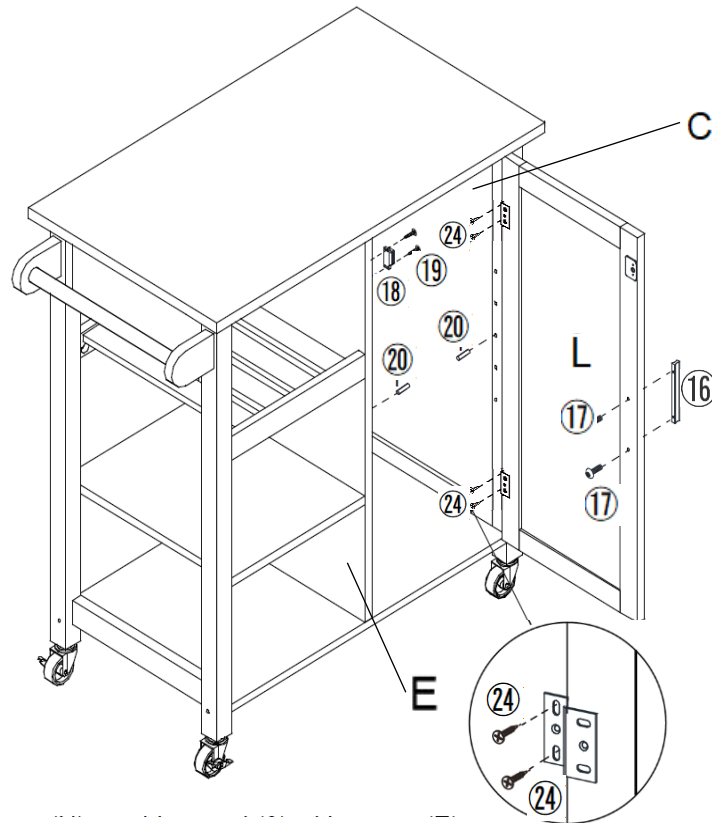
Attach Top Panel(A) to the Dowel(⑥) on Left Side Panel(B), Partition(E) and Right Side Panel(C), insert Cam Lock(②) into the Left Side Panel(B), Partition(E) and Right Side Panel(C) using Screwdriver(⑲) as shown.

Step 16



Attach Hinge(⑭) and Bracket(⑮) to the Door Panel(L) with Screw (⑤) (⑳) using Screwdriver(⑲) as shown.

Step 17



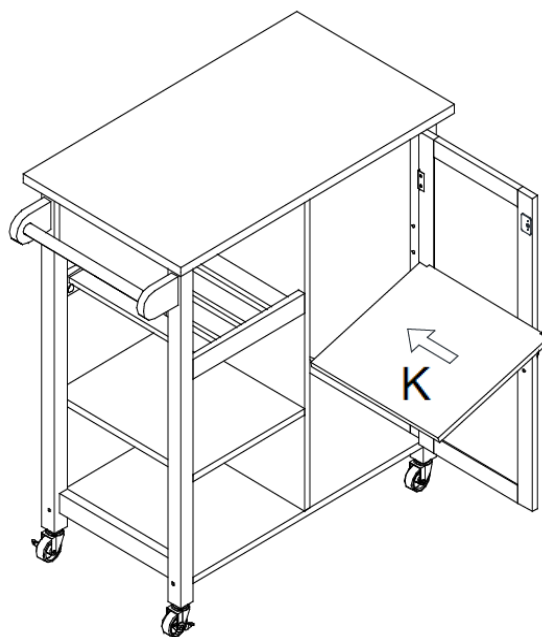
Attach Door Panel(L) to Right Side Panel(C) using Screw(24) with Screwdriver(23).

Attach Magnet(18) to the Partition(E) using Screw(19) with Screwdriver(23).

Attach Handle(16) to the Door Panel(L) using Screw(17) with Screwdriver(23).

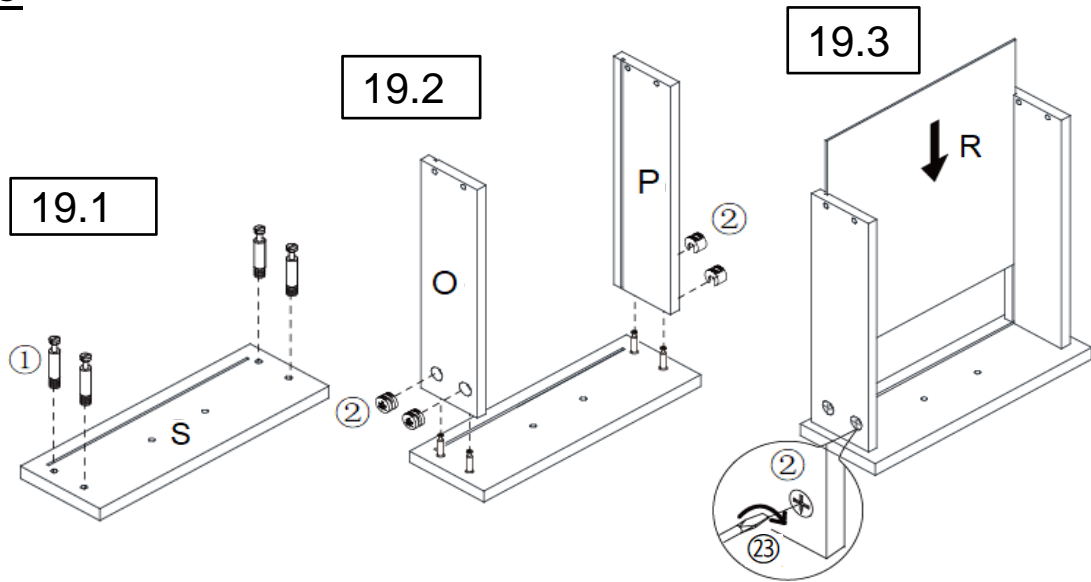
Insert the Pin(20) to Right Side Panel(C) and Partition(E).

Step 18



Insert Bottom Shelf (K) into the cabinet.

Step 19

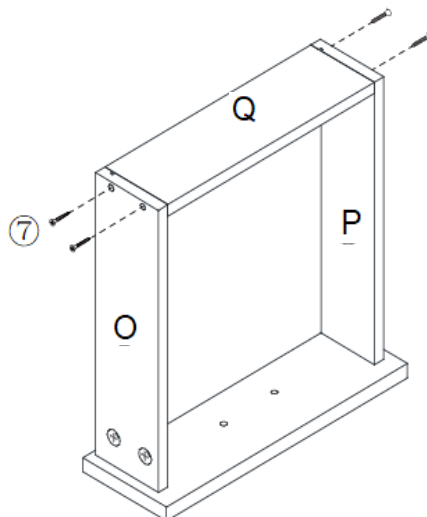


19.1) Attach Cam Bolt(①) to the mounting positions on Drawer Front Panel(S) using Screwdriver(⑲) as shown.

19.2) Attach Drawer Left Side Panel(O) and Drawer Right Side Panel(P) to the Cam Bolt(①) on Drawer Front Panel(S), insert Cam Lock(②) into the Drawer Left Side Panel(O) and Drawer Right Side Panel(P) using Screwdriver(⑲) as shown. Do not fully tighten a Cam Bolt(①).

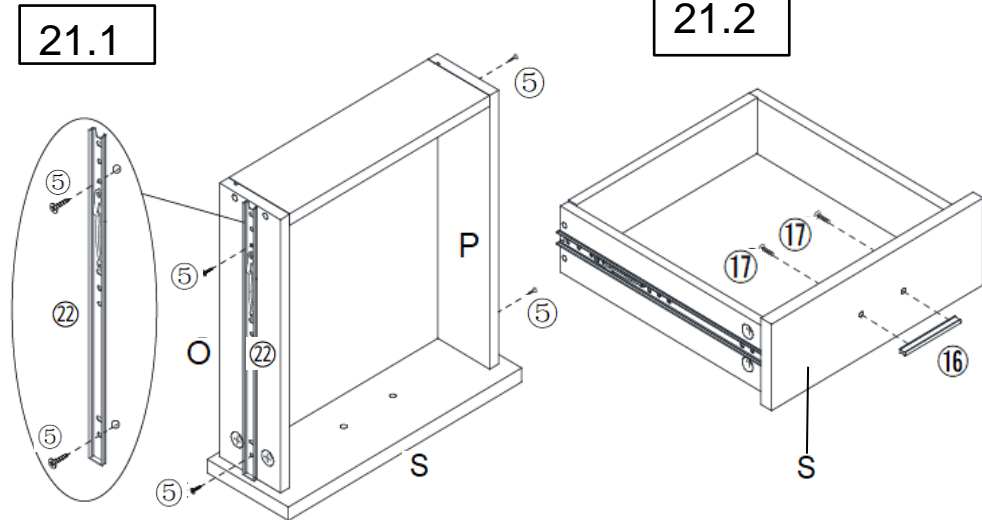
19.3) Insert Drawer Bottom Panel(R) into the grooves on Drawer Left Side Panel(O), Drawer Right Side Panel(P) and Drawer Front Panel(S), then tighten the Cam Locks(B).

Step 20



Attach Drawer Back Panel(Q) to the Drawer Left Side Panel(O) and Drawer Right Side Panel(P) using Screw(⑦) with Screwdriver(⑲).

Step 21

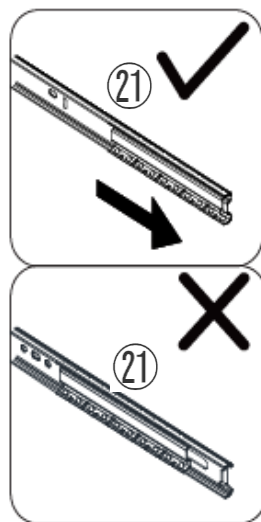


21.1) Attach Drawer Slider(22) to Drawer Left Side Panel(O) using Screw(5) with Screwdriver(23).

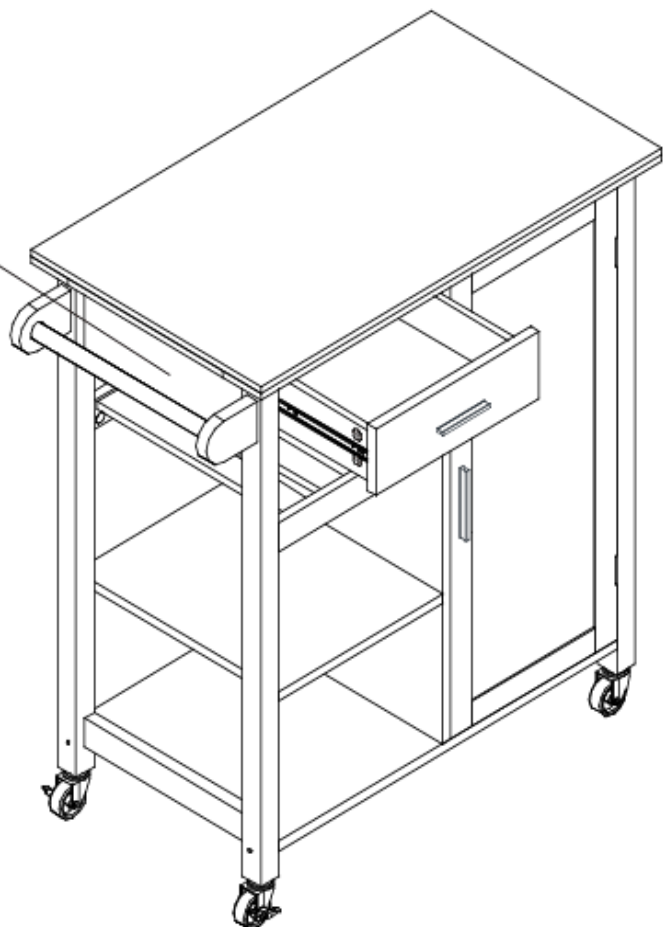
Repeat this step for the Drawer Right Side Panel(P).

21.2) Attach Handle(16) to Drawer Front Panel(S) using Screw(17) with Screwdriver(23).

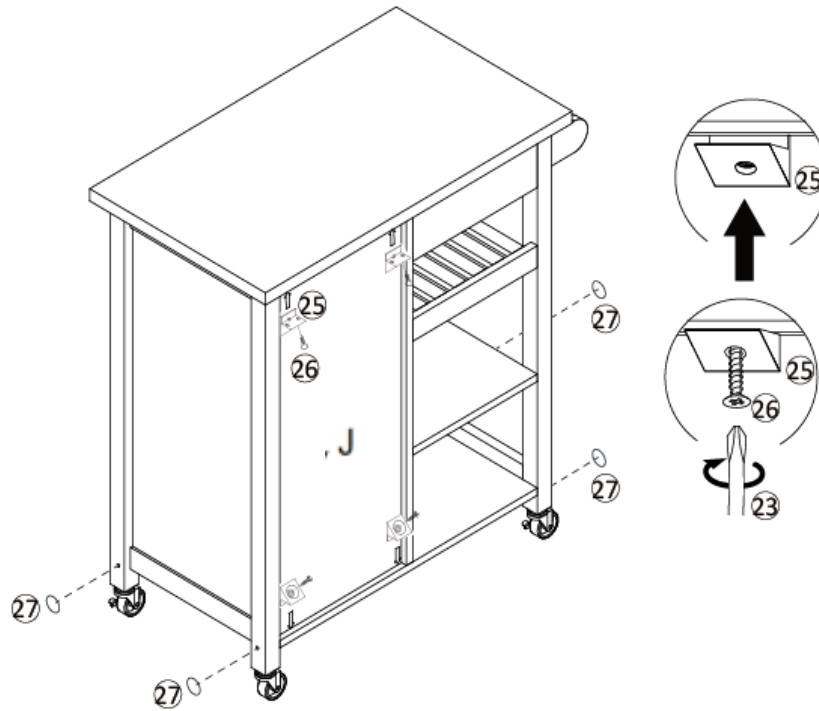
Step 22



Pay attention: when putting the drawers, the moveable part on the "U"rails must be at the top. (as shown above)



Step 23



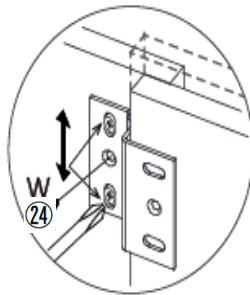
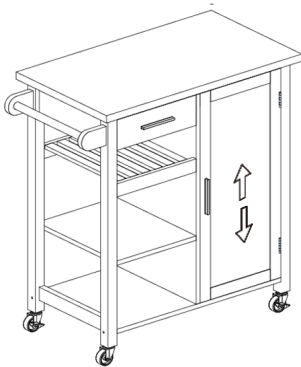
Attach the Buckle(25) to the Back Panel(J) using Screw(26) with Screwdriver(23).

Make sure the whole product is stable.

Place Stickers (27) over bolt holes and enjoy.

Step 24

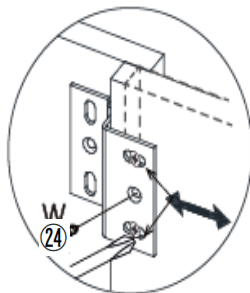
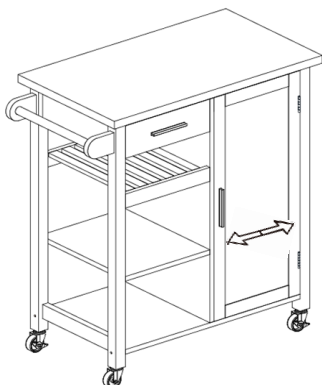
Attention: If the doors may shift or sag after assembly, please adjust the hinges according to below instruction.



Vertically adjustment

Slightly adjust the screws position on side panels.

When the doors are flush, lock the middle screws on hinges.



Horizontally adjustment

Slightly adjust the screws position on doors.

When the doors are flush, lock the middle screws on hinges.

Care & Maintenance



- Do not put hot items directly on furniture surface.



- Do not clean furniture with harsh cleansers or polish.



- Do not place furniture under direct sunlight.



- Do not place furniture near heating or cooling vents.



- Do not write on furniture without a padded barrier to protect the surface.



- Do not place furniture outside . For indoor use only.



- Not for commercial use. For residential use only.



- Stains may be removed with mild soap solution and damp cloth.



- Children should not climb or jump on the furniture.



- Dust and pick-up spills using a clean, non-colored, lint-free cloth.