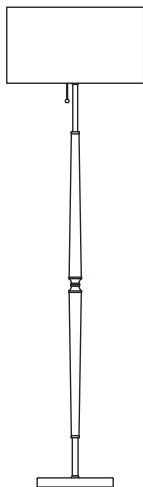


edishinē

Floor Lamp

[Instruction Manual]

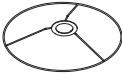

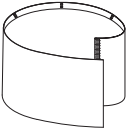



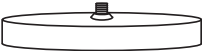
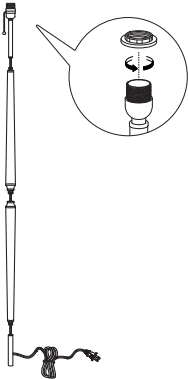
Please pay attention to the warning signs
Read the instructions with caution before operating
and keep it properly

CAUTION:

1. Before assembly, place all parts on a clean flat surface and check each part for defects that may occur during shipping.
2. Inspect wire insulation for any cuts, abrasions or exposed copper that may have resulted from shipping. If there are any defects in the wire, DO NOT continue assembling. Please send an email to our Customer Service immediately.
3. Consult a qualified electrician if you have any electrical questions.
4. Never drape clothes over the lamp.
5. To reduce the possibility of tipping over, we recommend placing the lamp behind furniture and keep children and pets away.
6. To prevent children from suffocating and choking, keep them away from packing materials.
7. Please keep this manual and hand it over when you transfer the product.

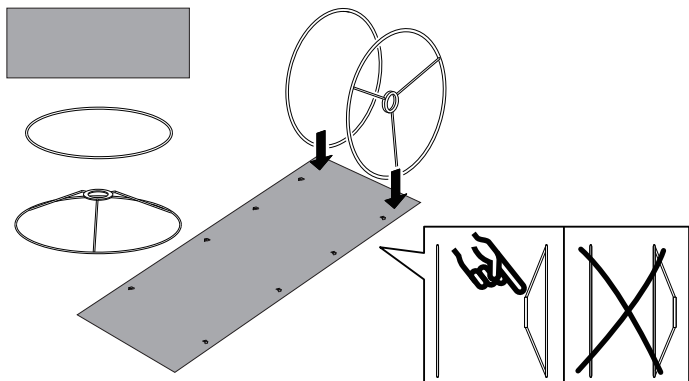
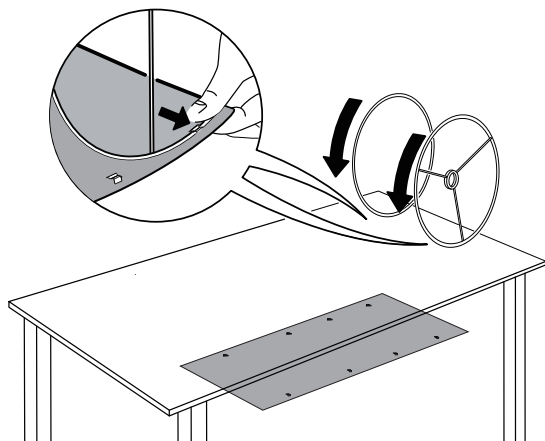
Packing List:

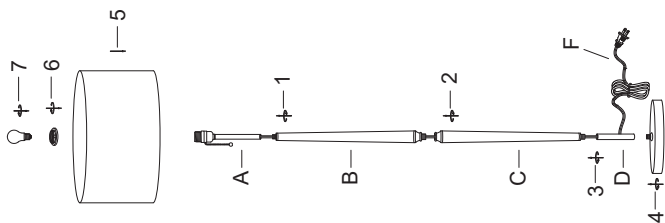
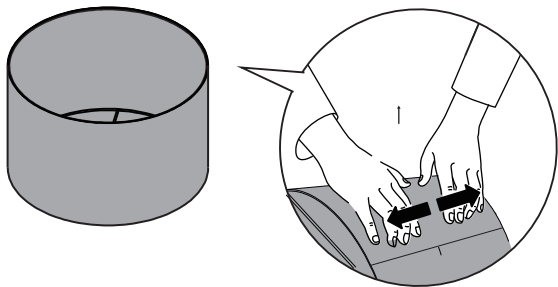
Part Number	Part Drawing	Part Describe	Quantity
①		Shande Upper Metal Ring	1
②		Shade Lower Metal Ring	1
③		Colth Shade	1

<p>(H)</p>		<p>Lamp Holder Ring</p>	<p>2(1 backup)</p>
<p>(4)</p>		<p>Base</p>	<p>1</p>
<p>(E)</p>		<p>Floor Lamp</p>	<p>1</p>

ASSEMBLY INSTRUCTIONS

Before assembly, check the packing listing to make sure all parts are present;

1**2**



1. Screw the Tube-2 (B) clockwise onto Tube-1 (A) until tight.
2. Screw the Tube-3 (C) clockwise onto Tube-2 (B) until tight.
3. Pull out any excess power cord through the Tube-D, then screw the Tube-4 (D) clockwise onto Tube-3 (C) until tight.
4. Screw the Base (4) onto Tube-D until tight.
5. Unscrew the socket ring (H), then place the shade (5) on the socket and screw the socket ring (H) to fix the shade.
6. Install the bulb (not included) by screwing it into the socket.

Specifications

- Materials: Metal,Linen,Wood
- Input Voltage: 120VAC 60Hz
- Max. Load Power: Incandescent Bulb 60W or LED Bulb 10W
- Socket Type: Standard Medium E26

One Year Limited Warranty

Supported by our professional R&D team and QC team, we provide One Year Warranty for materials and workmanship from the purchase date. Please note that the warranty does not cover damage caused by personal misuse or improper installation.

Please attach your Order ID and Name so that our dedicated customer service team can help you better.