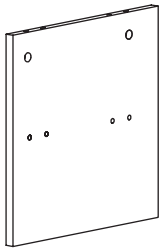
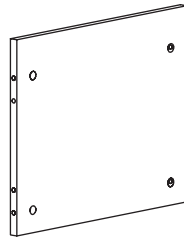


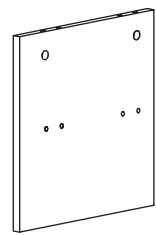
① x1



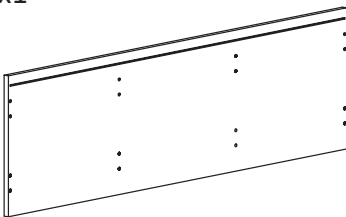
② x1



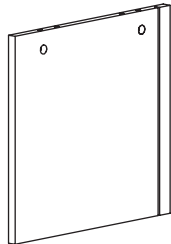
③ x1



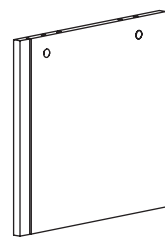
④ x1

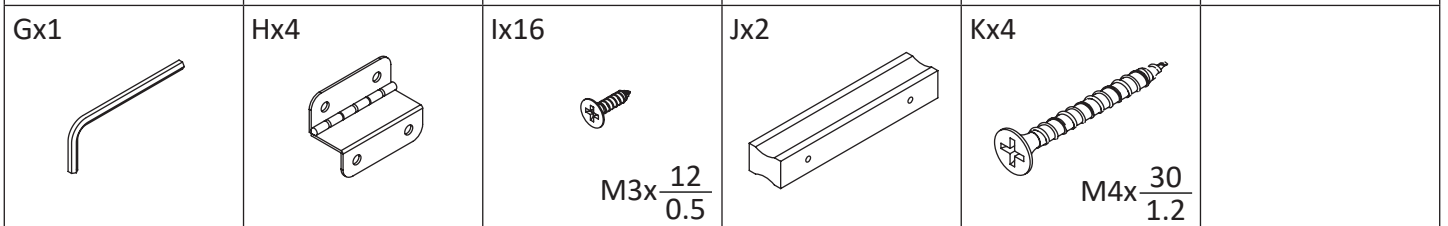
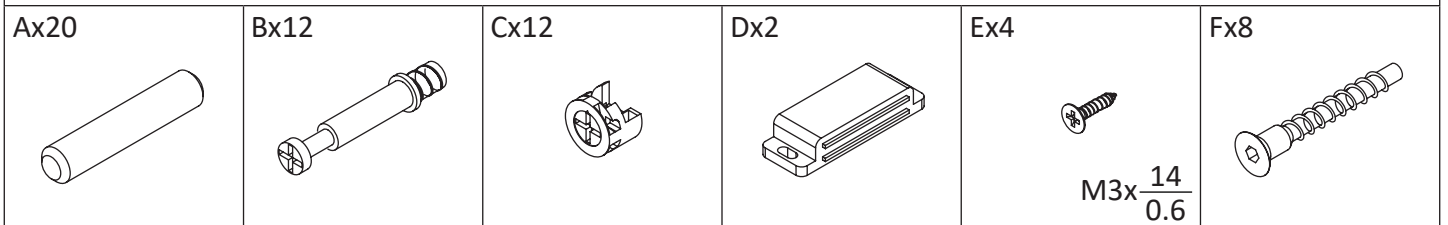
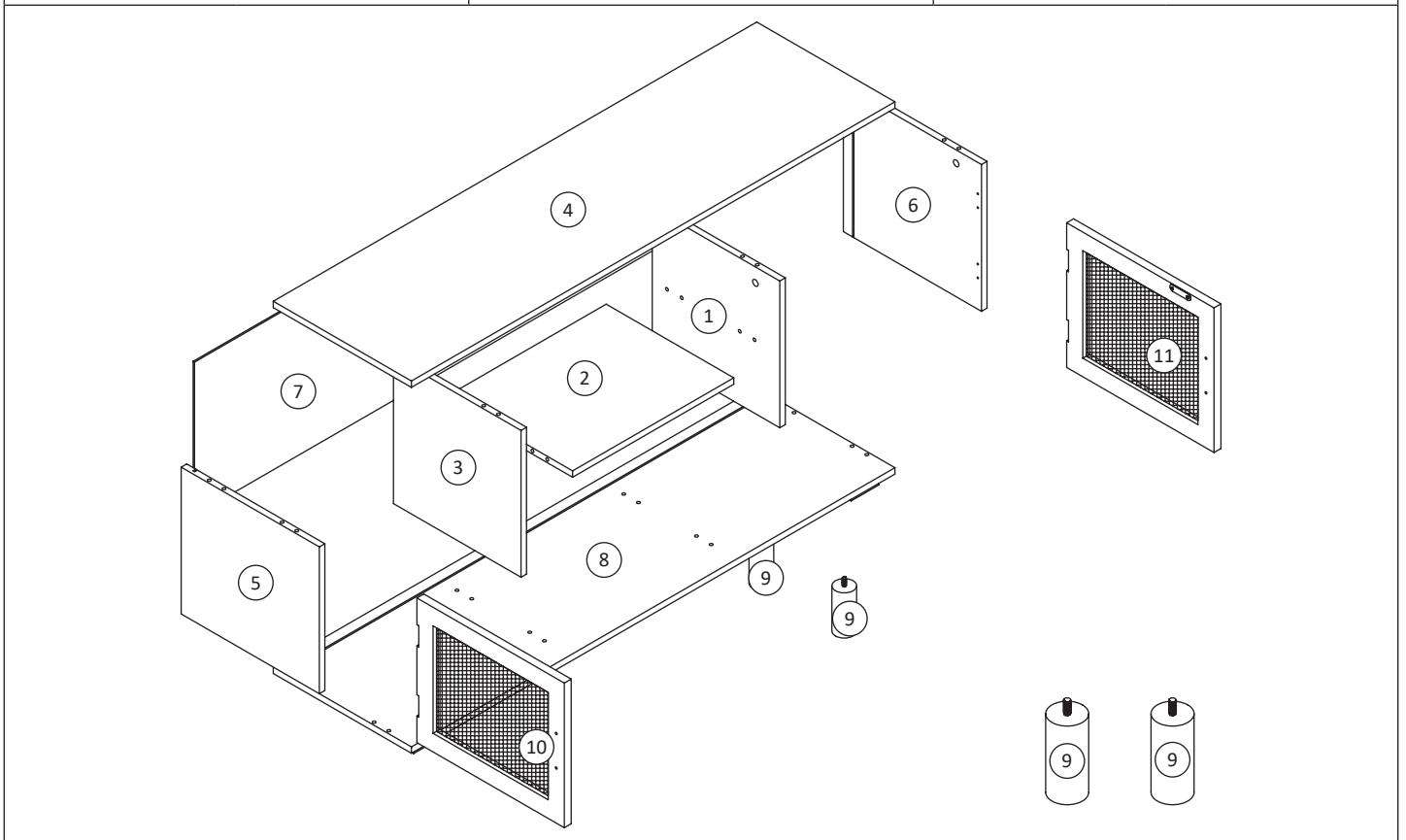
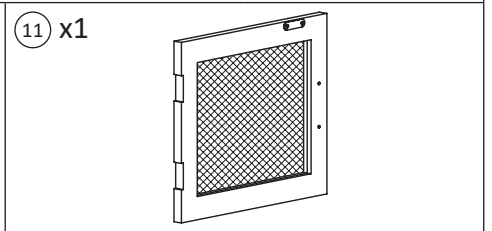
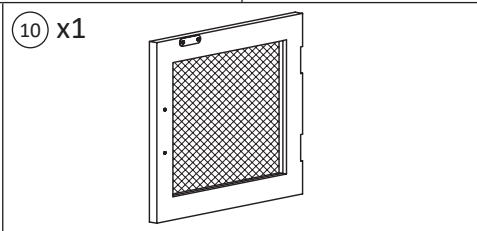
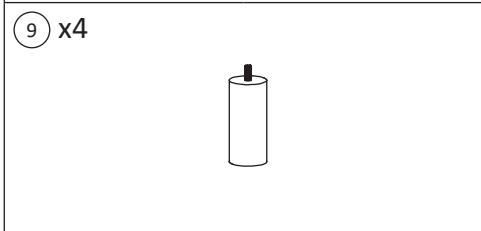
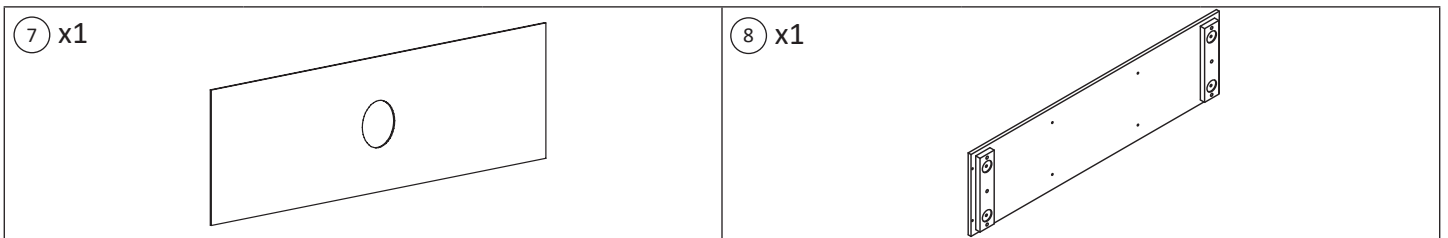


⑤ x1

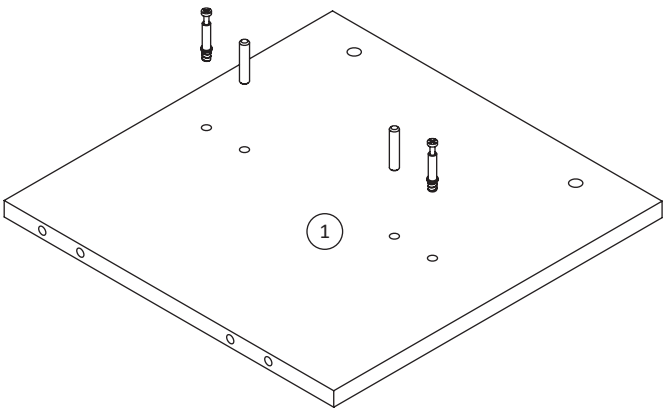


⑥ x1



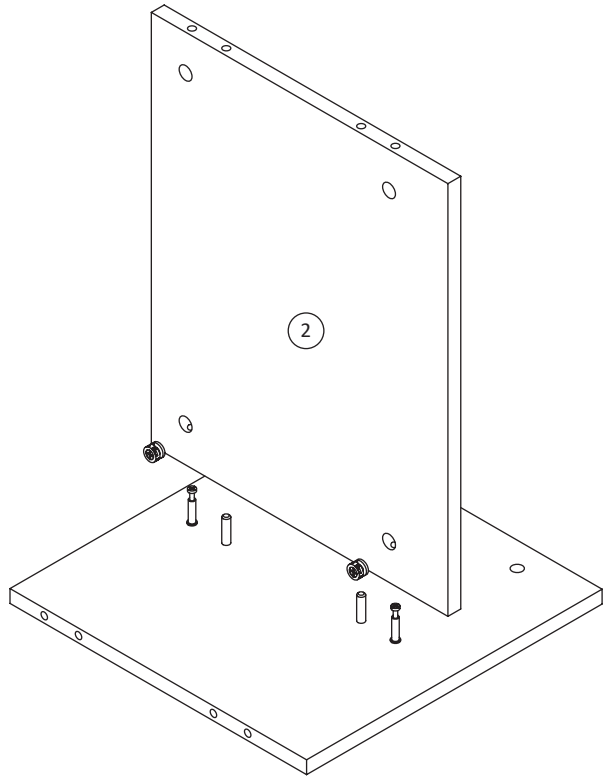


1



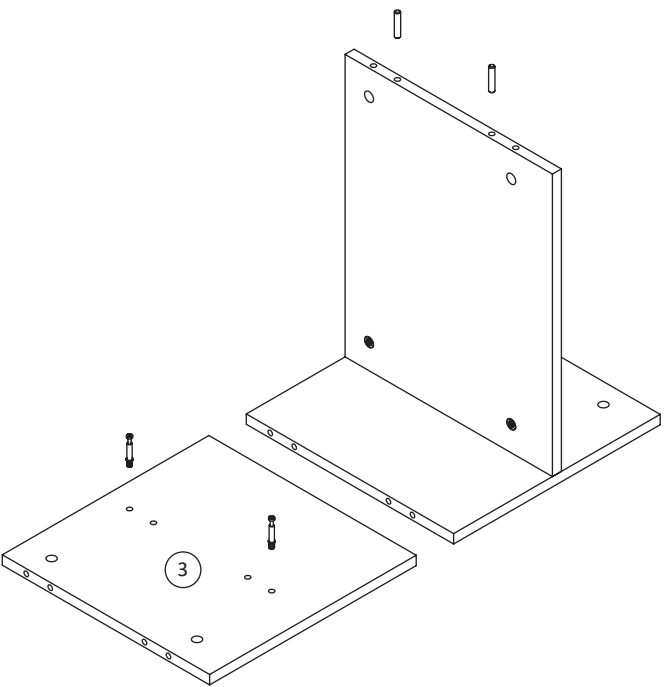
Ax2
Bx2

2



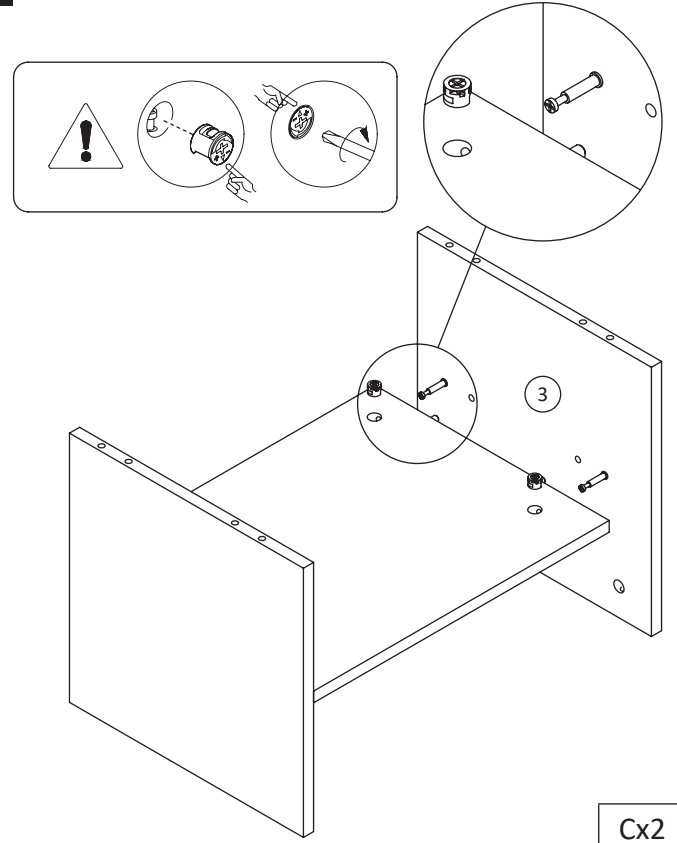
Cx2

3

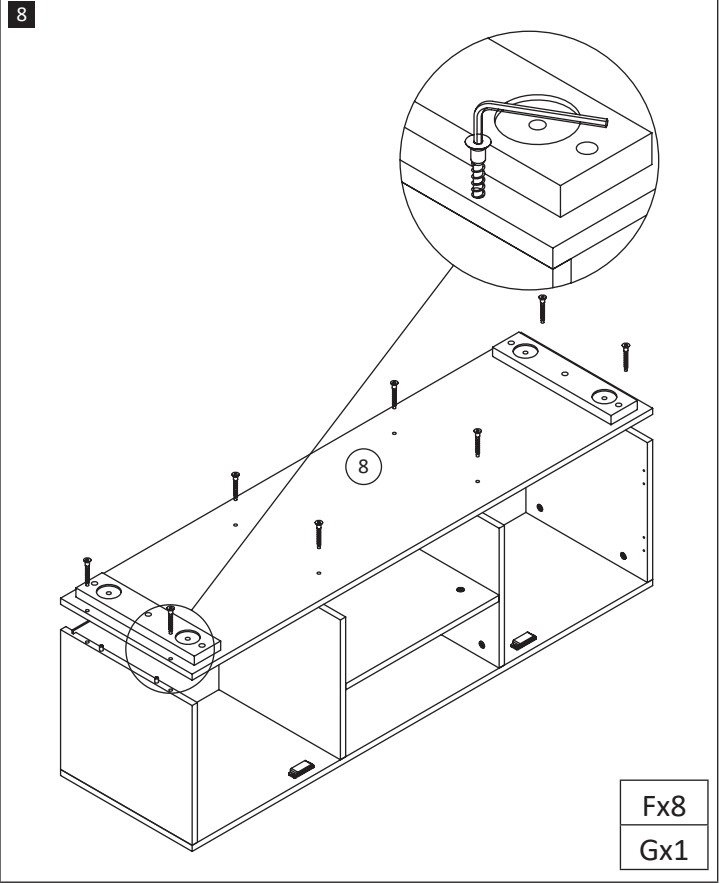
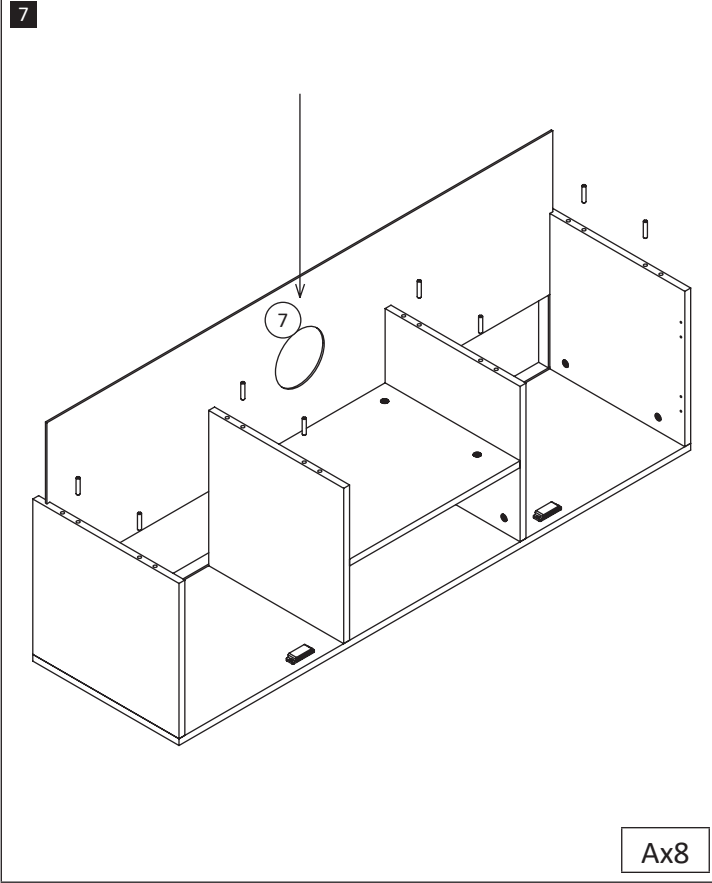
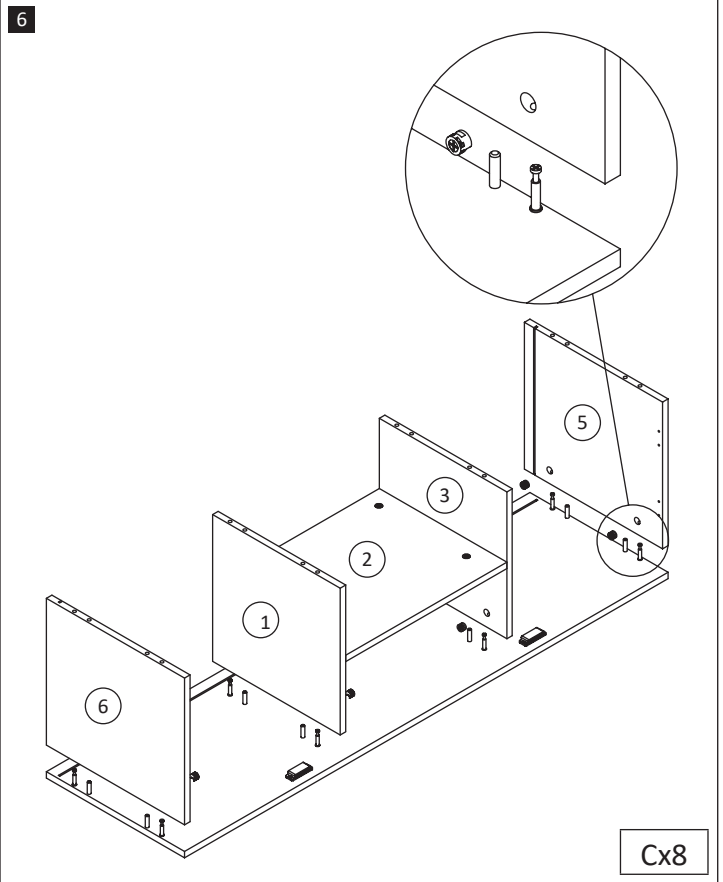
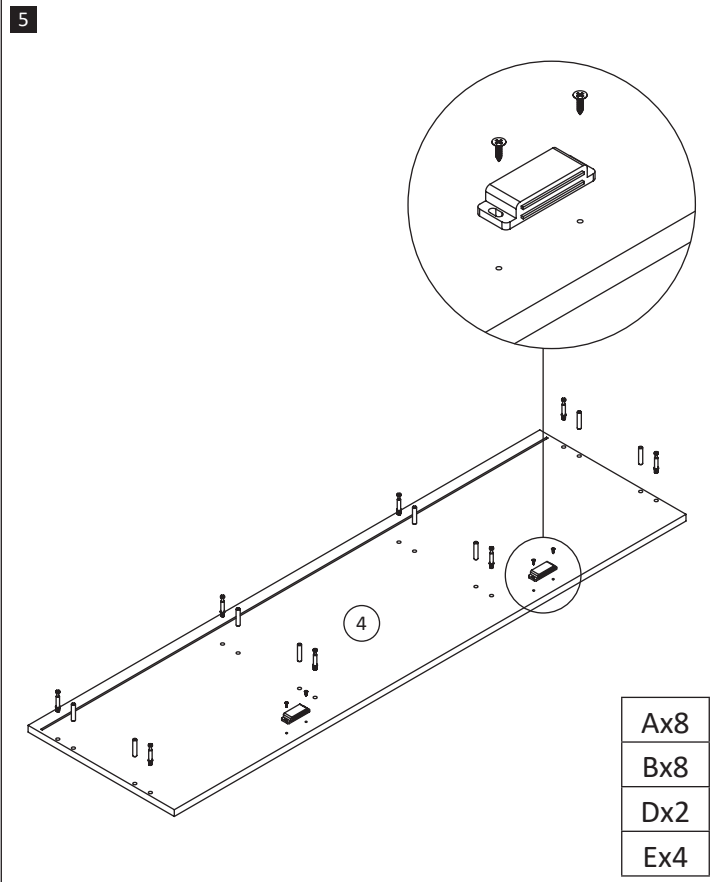


Ax2
Bx2

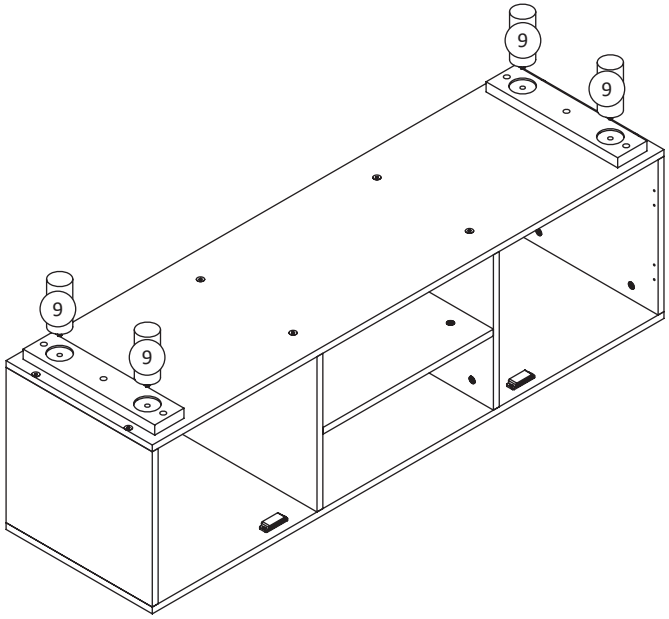
4



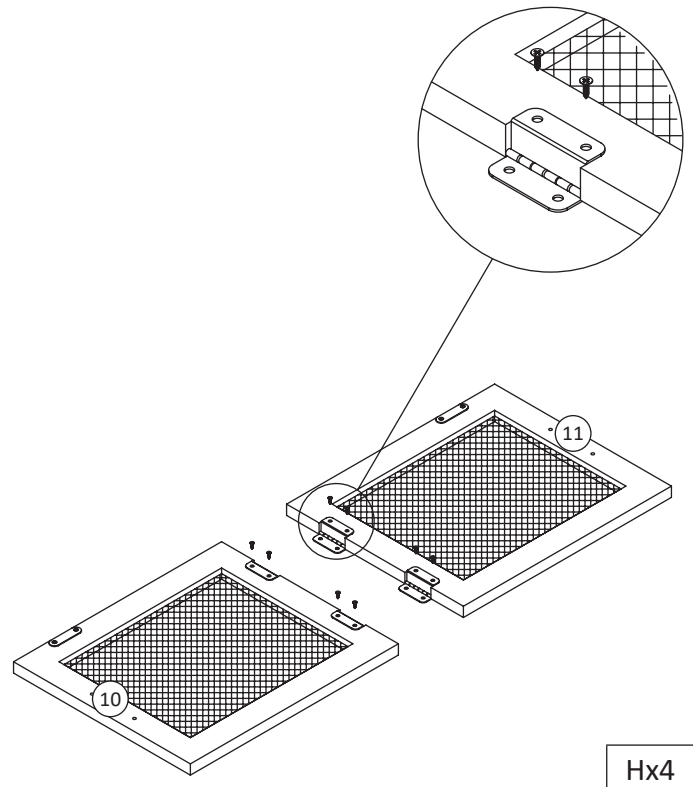
Cx2



9

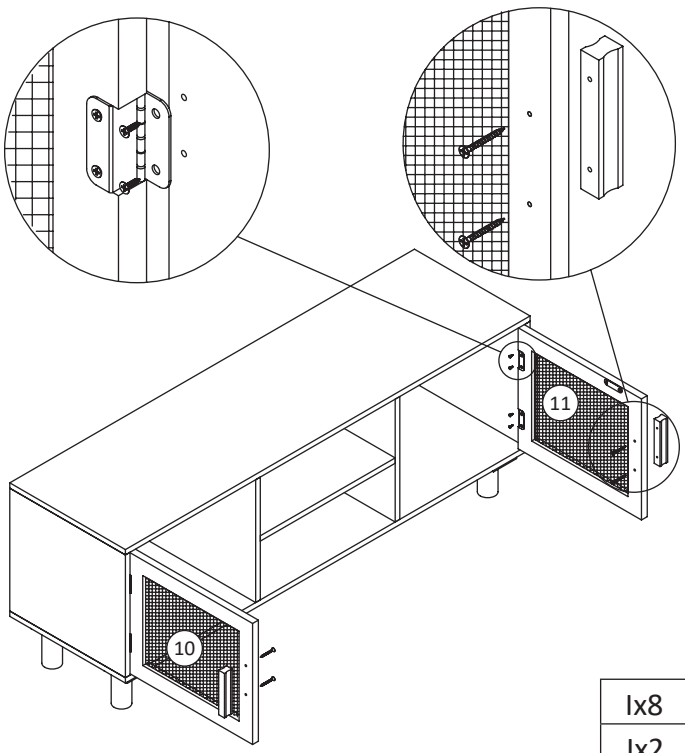


10



Hx4
Ix8

11



Ix8
Jx2
Kx4

12

