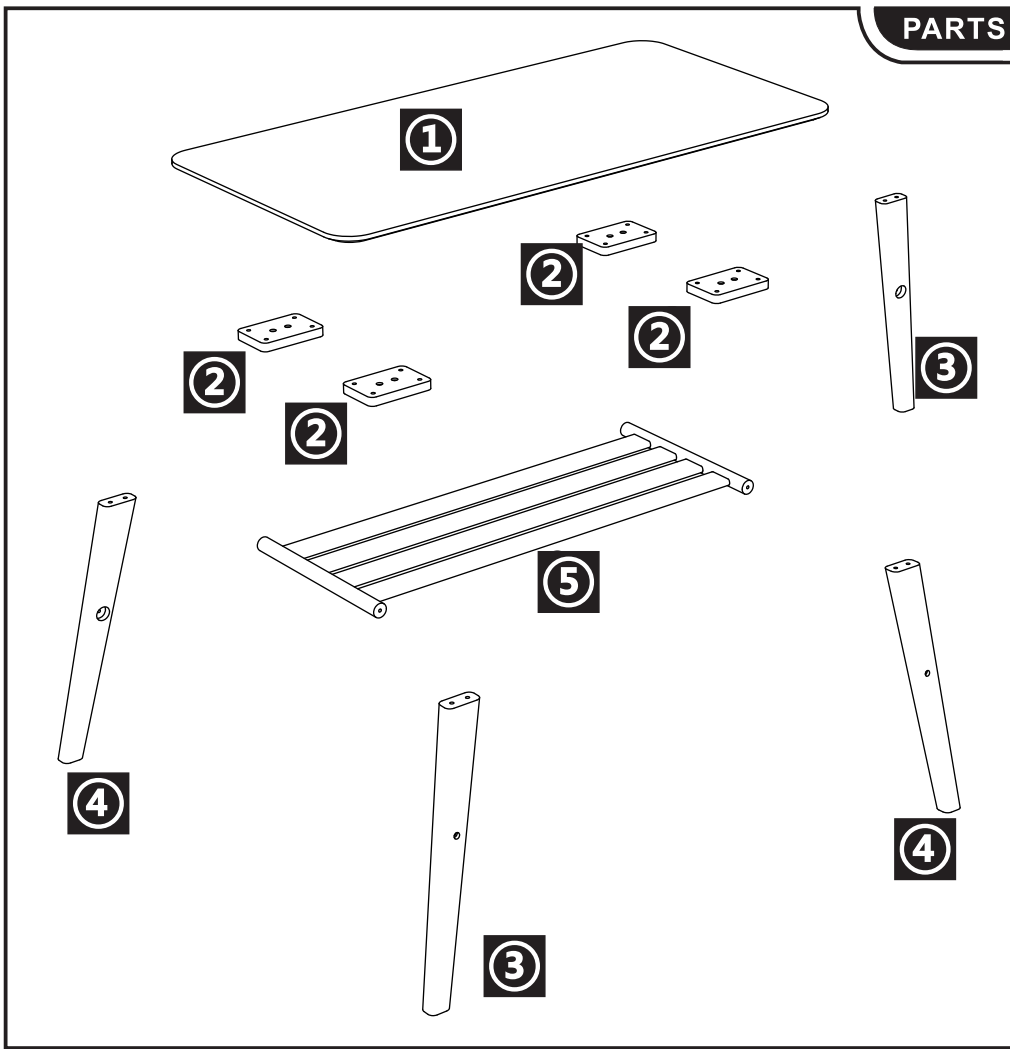


IMPORTANT, RETAIN FOR FUTURE REFERENCE: READ CAREFULLY

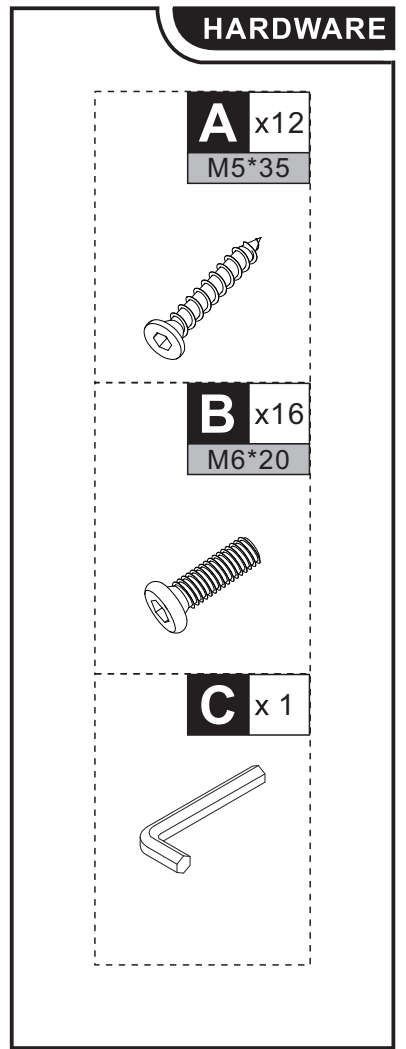
Tools Recommended

ASSEMBLY & INSTRUCTION MANUAL

PARTS



HARDWARE



01

