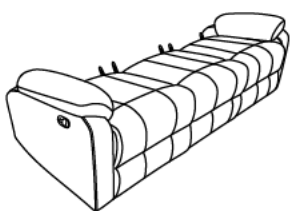
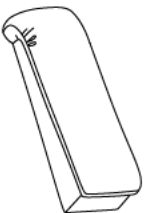
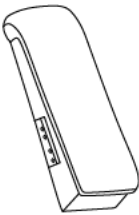





Assembly Instructions

Your sofa comes packaged in **One** box. Carefully remove all of components from the packaging and set aside for assembly.

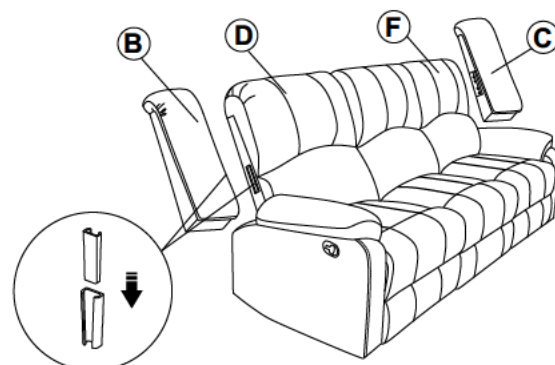
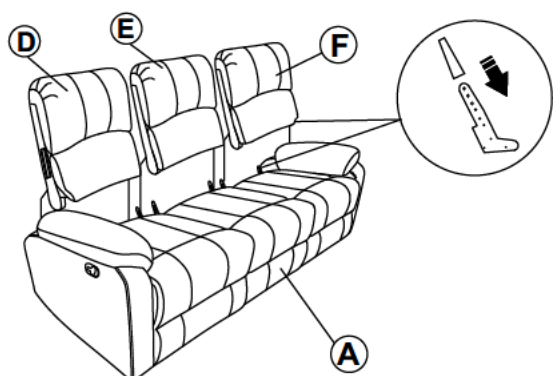
CAUTION:
DO NOT use any sharp objects to open plastic-wrapped components as this may result in damage to the product or components.

Package Contents

			
A SEAT BODY	B LEFT EAR	C RIGHT EAR	D LEFT BACKREST
			
E MIDDLE BACKREST	F RIGHT BACKREST		

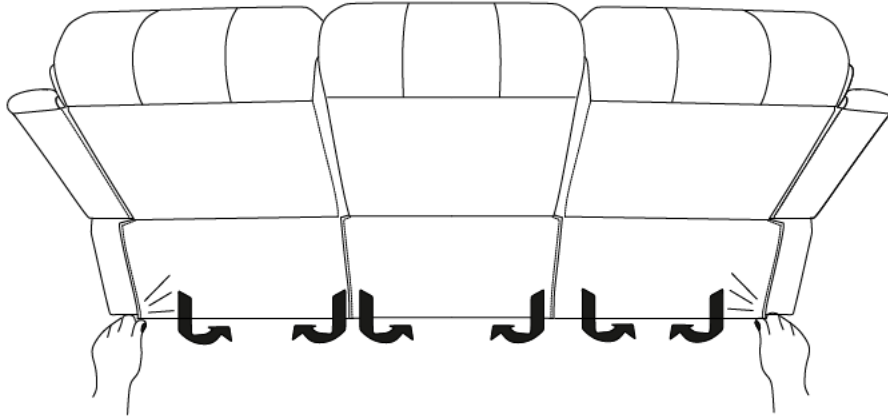
STEP 1: Attach Left Backrest (D), Middle Backrest (E) and Right Backrest (F) to Seat Body (A).

STEP 2: Attach Left Ear (B) and Right Ear (C) to Left Backrest (D) and Right Backrest (F).

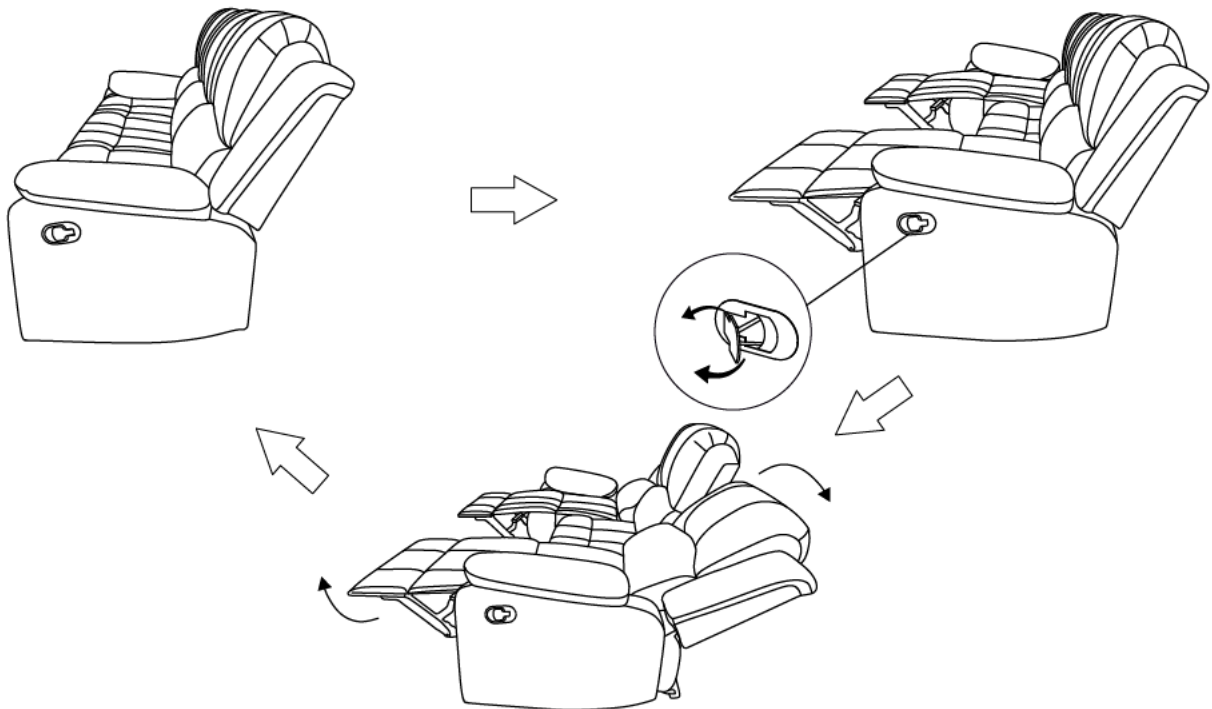


Ensure the backrest is fully inserted to the bottom along the metal slot to avoid tilting or moving. And please not sit on the armrests for the user's safety.

STEP 3: Cover back of Seat Body with velcro.



*** Adjust backrest & footrest**



Ensure the backrest is fully inserted to the bottom along the metal slot to avoid tilting or moving. And please not sit on the armrests for the user's safety.

Warnings

1. Please check if the components of the chair are all included and can be used normally.
2. Assemble all components according to the instruction correctly before you connect the chair to the power.
3. Please DO NOT sit on the armrests or footrest to eliminate the risk of tipping over.
4. If the chair is damaged or doesn't match the website description, please send clear pictures of the product and label of the carton to our service team for further help.
5. If the recliner doesn't work, you may try the following measures for self-checking firstly:
 - a) Check if all the cables are connected;
 - b) Check if the light of transformer is on.

If the chair still doesn't work, please feed the information back to our customer service in time and we'll help you solve the matter as soon as possible.

