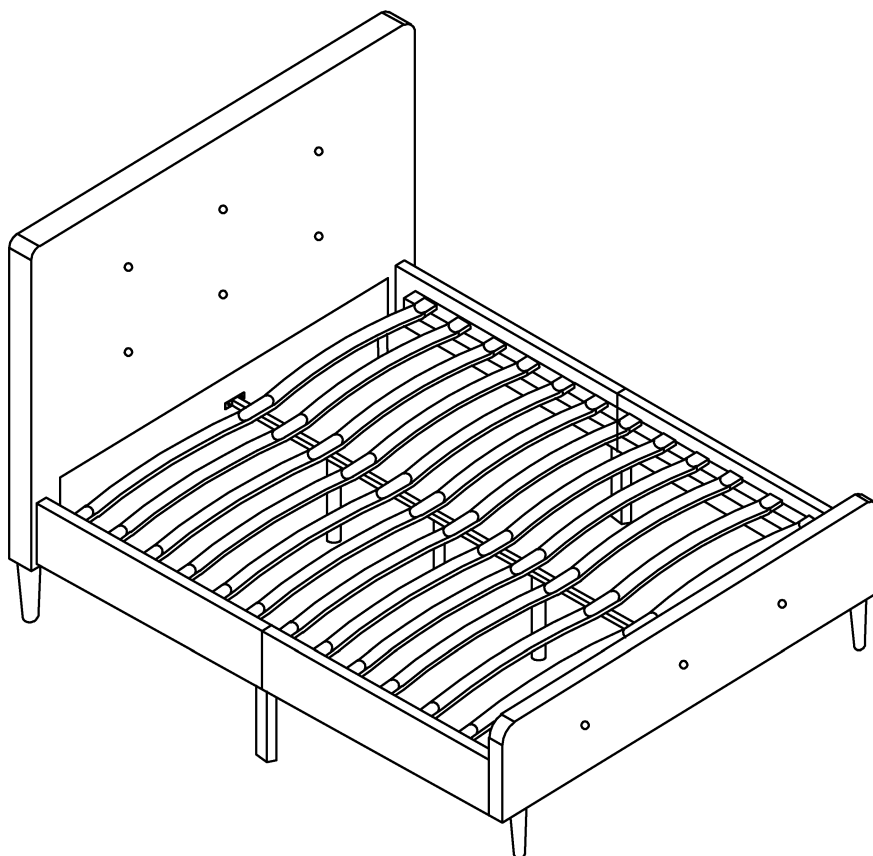
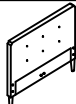
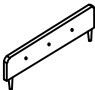




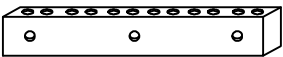
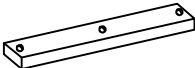
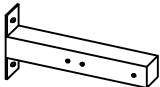






Assembly Instructions













Queen Size Bed



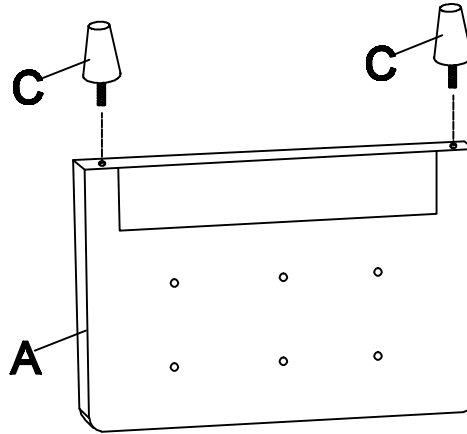
Parts List

NO.	Picture	Description	Qty
A		Headboard	1 PC
B		Footboard	1 PC
C		Legs	4 PCS
D		Left Side Rail	2 PCS
E		Right Side Rail	2 PCS
F		Slats	24 PCS
G		Bedside layering	4 PCS
H		Reinforcing bar	1 PC
I		Center Support	2 PCS
J		Center Support Leg	2 PCS
K		"U" Support Leg	1 PC
L		"L" Middle Leg	2 PCS
M		Straight Connector	4 PCS

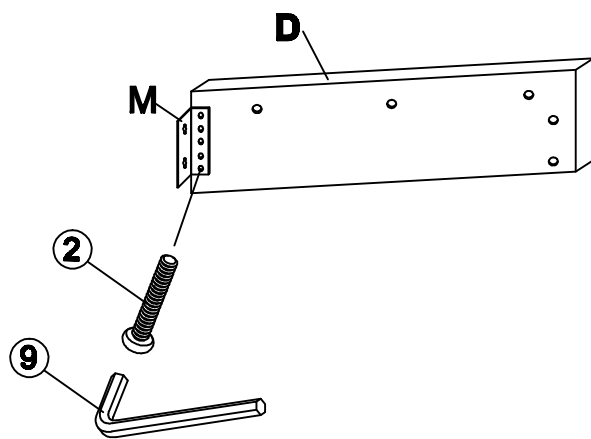
Hardware List

NO.	Picture	Description	Qty
1		Bolt M8*30mm	8 PCS
2		Bolt M8*15mm	8 PCS
3		Bolt M6*38mm	12 PCS
4		Bolt M6*25mm	6 PCS
5		Bolt M6*16mm	14 PCS
6		Bolt M6*50mm	1 PC
7		Flat Washer	8 PCS
8		Spring Washer	8 PCS
9		Allen Key 5mm	1 PC
10		Allen Key 4mm	1 PC
11		End Cap	24 PCS
12		Center Plastic Connector	12 PCS

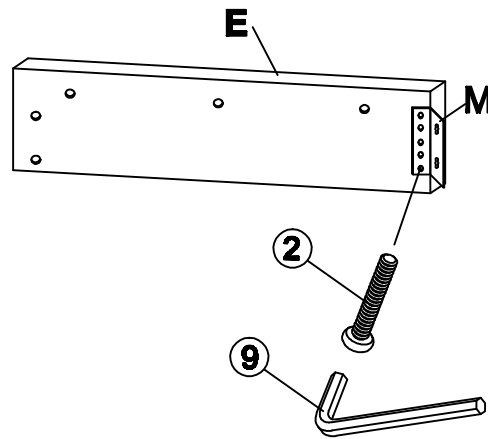
Step 1



Step 2

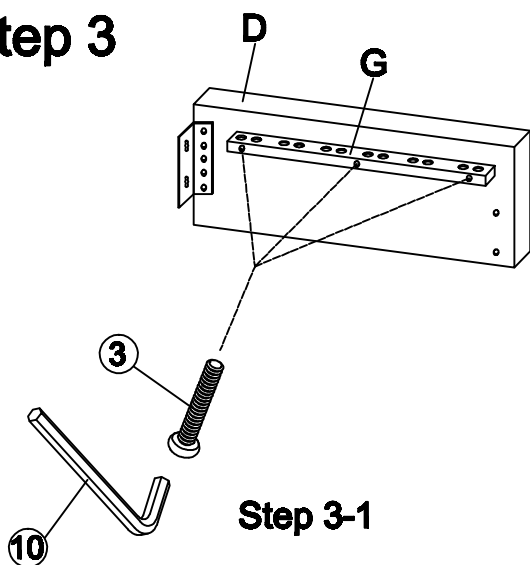


Step 2-1

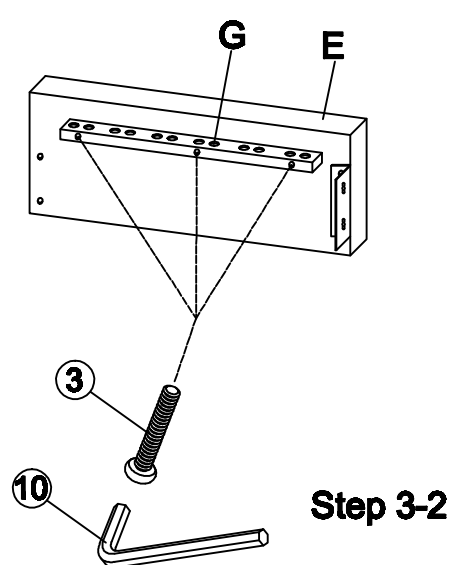


Step 2-2

Step 3

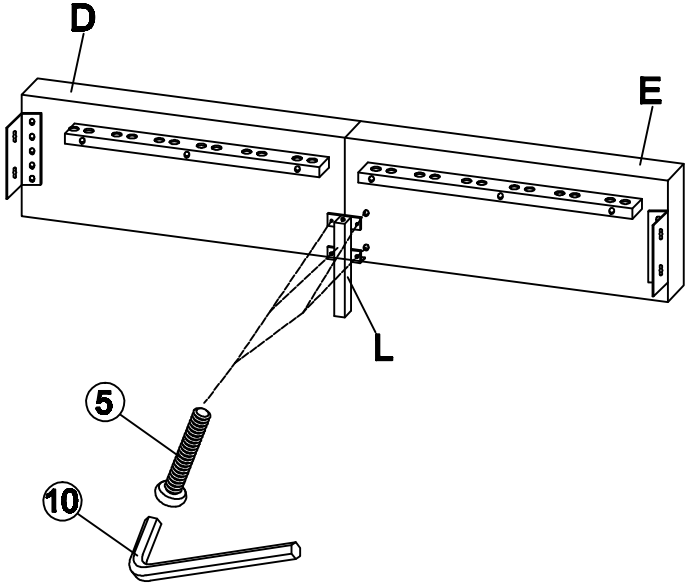


Step 3-1

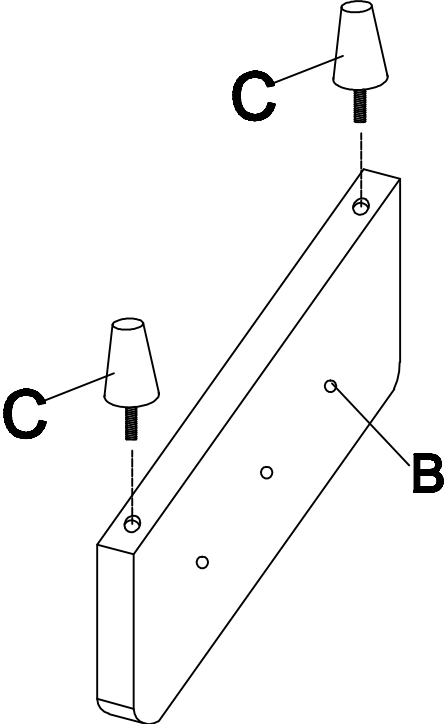


Step 3-2

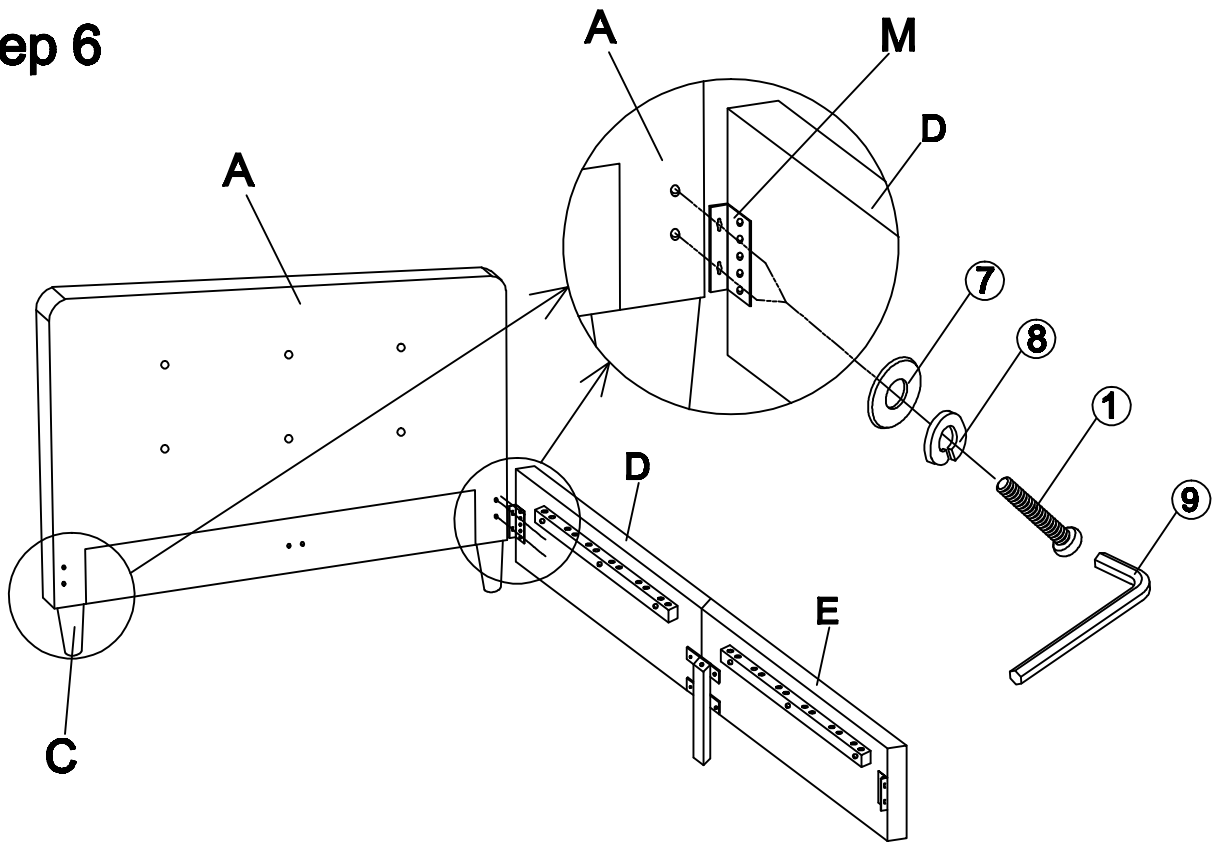
Step 4



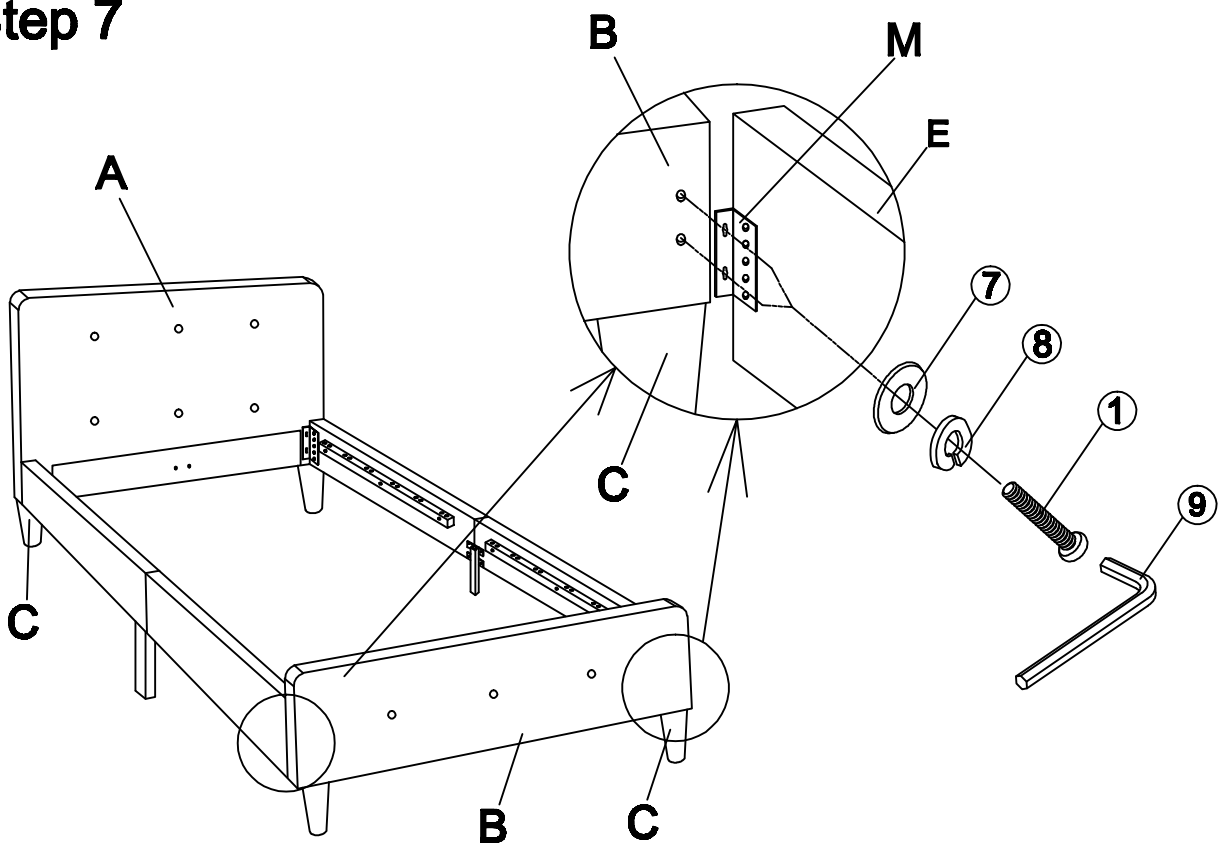
Step 5



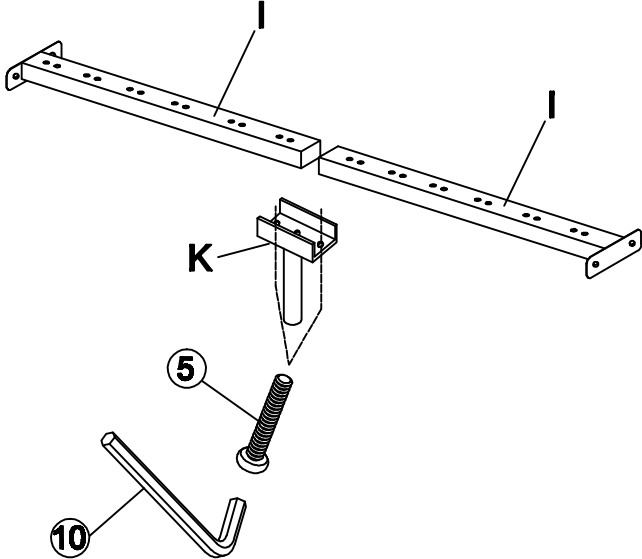
Step 6



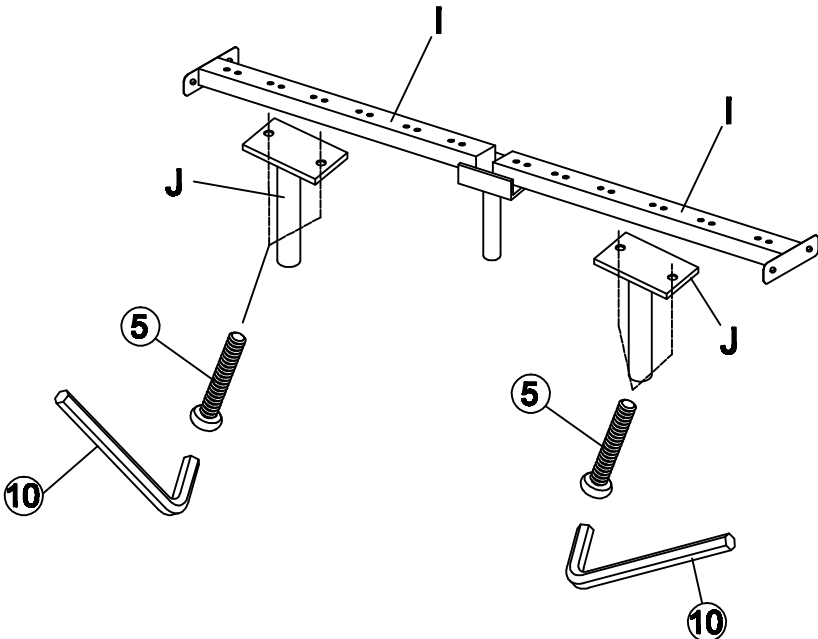
Step 7



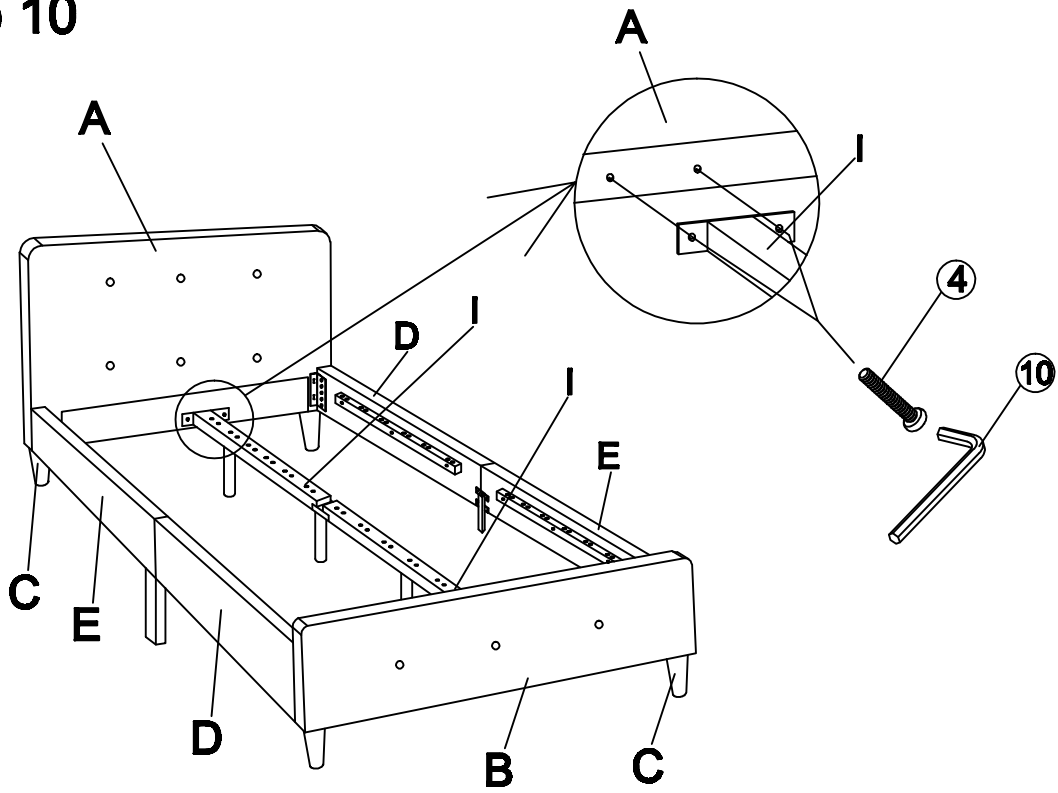
Step 8



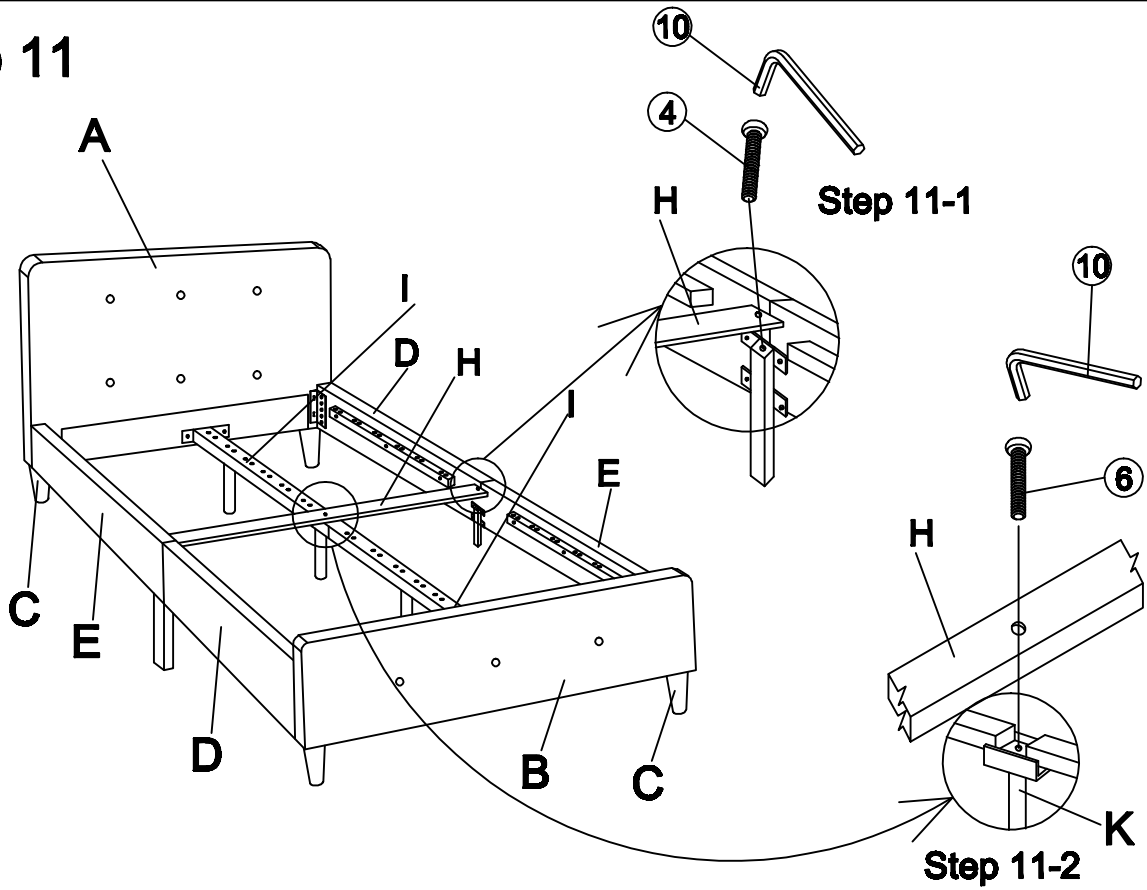
Step 9



Step 10



Step 11



Step 12

