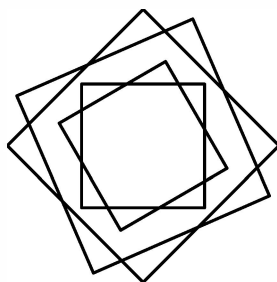
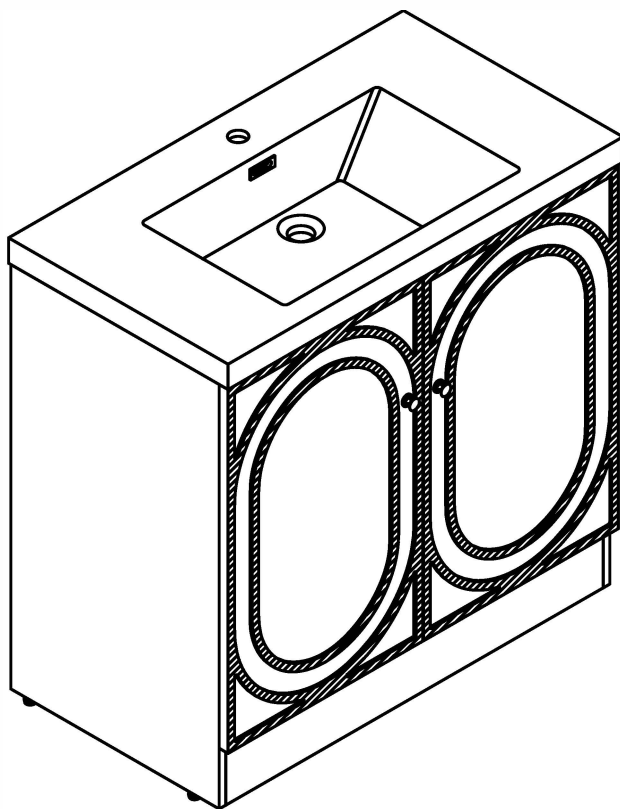


Installation Manual

MOTIVATE
YOUR LIFE !



Thank you for shopping with us!


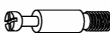



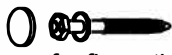


We encourage you to take a few minutes to go through this booklet. It contains important information on installation and care tips to keep your furniture looking as good as new.

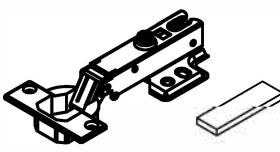






THANKS FOR WATCHING

Your feedback is invaluable to us and we would love to hear about your experience. Please take the time to leave us a review.

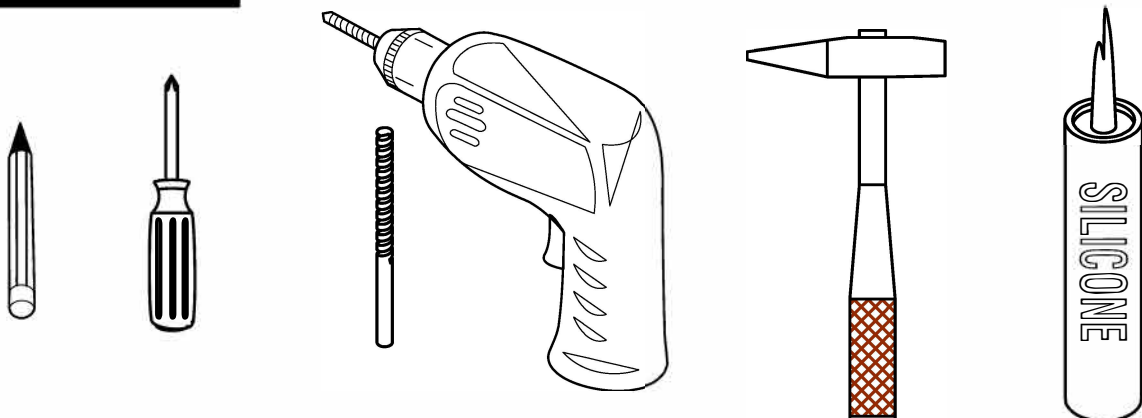
Item Lists

Hardware

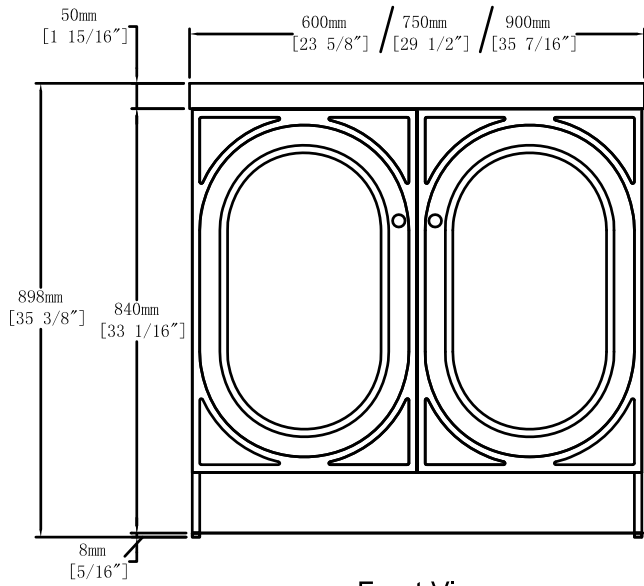
NO.	Draw	QTY
A	 Screws Ø4x14mm	44
B	 Two-in-one connector	24
C	 Two-in-one connector	24
D	 Wood plug	4
E	 Plastic anchor(Ø10mm)	2
F	 Screws for fix on the wall	2
G	 Bracket (53x70x44mm)	2
H	 Bracket (19x19x35mm)	2

NO.	Draw	QTY
I	 Hinges (Full cover)	4
J	 Handle	2
K	 Screws M4x22mm	2
L	 Adjustable feet	4
M	 Movable laminate support	4
N	 Anti-collision gasket	4
O	 Screwdriver	1

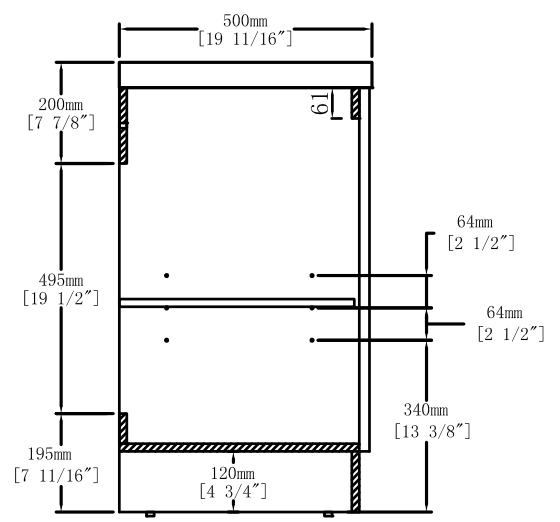
Recommended tools



Dimensions

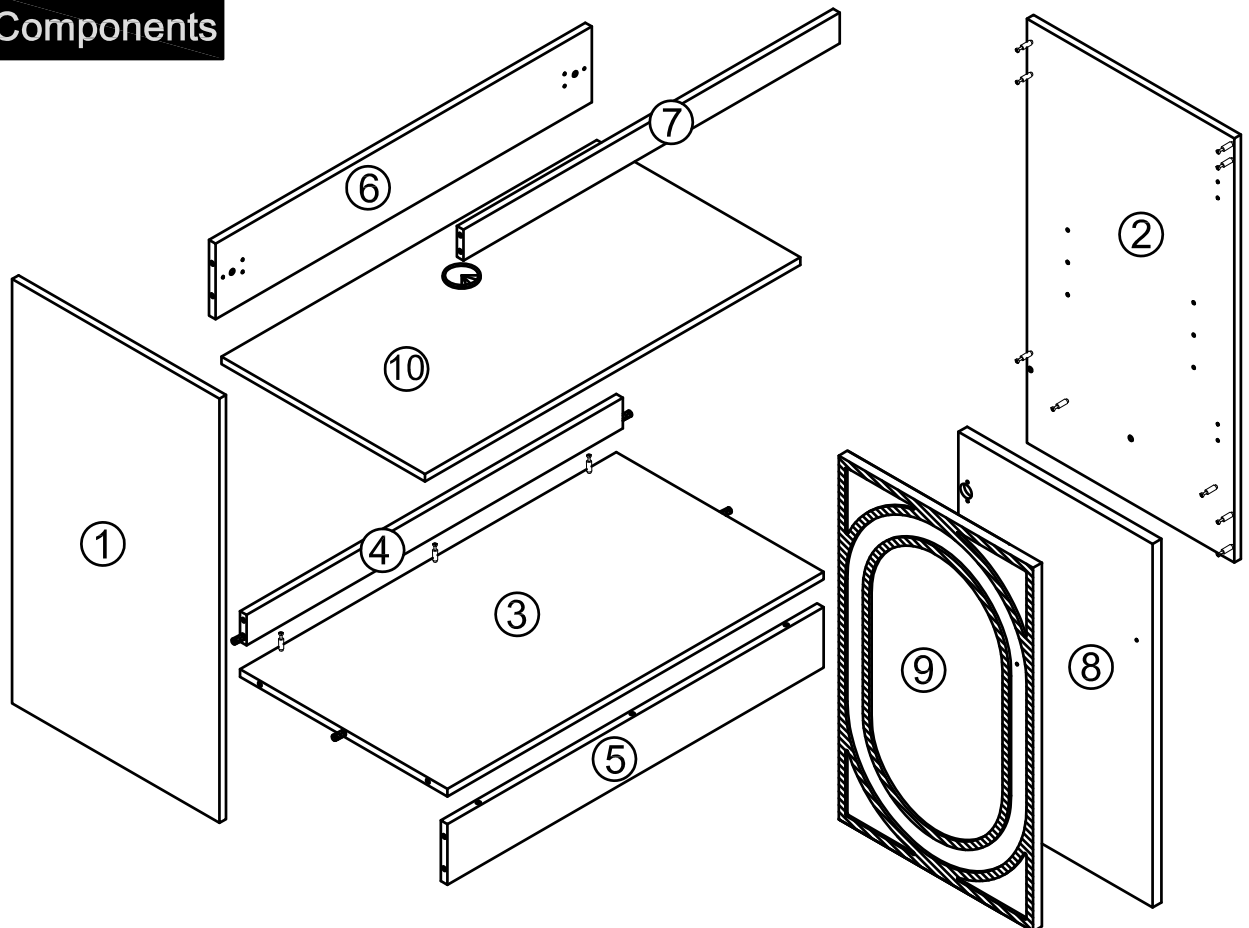


Front View

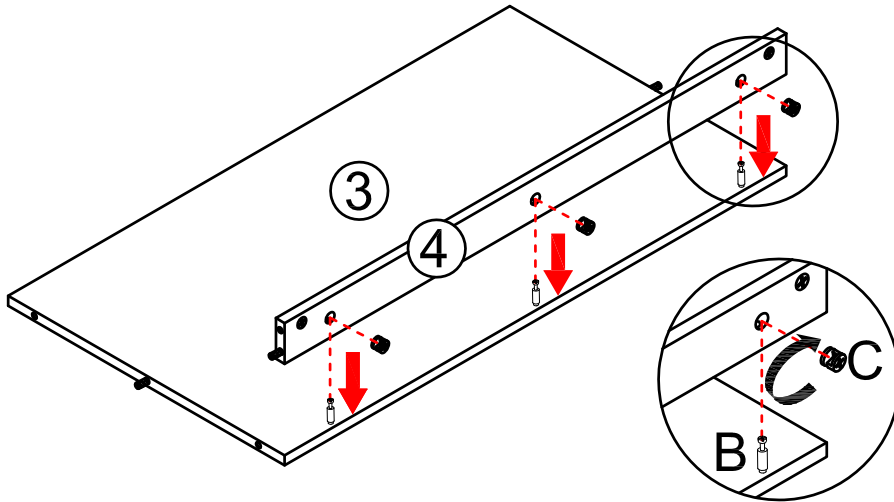


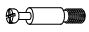


Side View

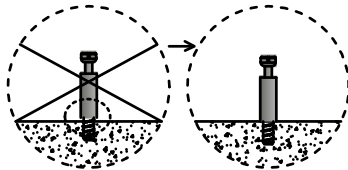
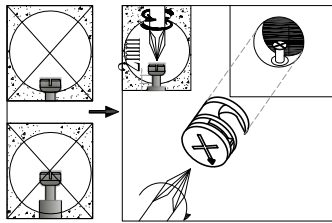
Components



Step 1

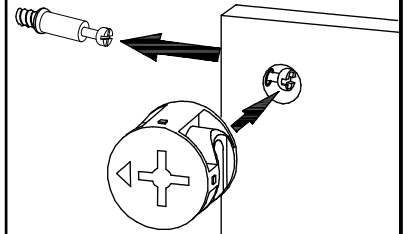


-  x3
- B**
-  x3
- C**
- 
- O**

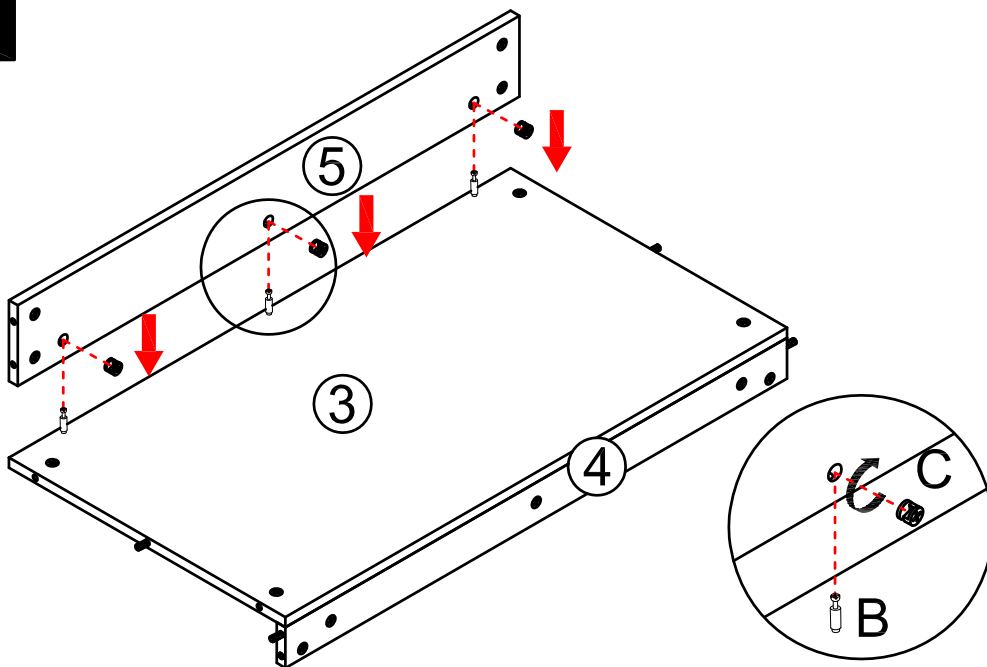


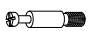


Notes: Screw installation depth as shown

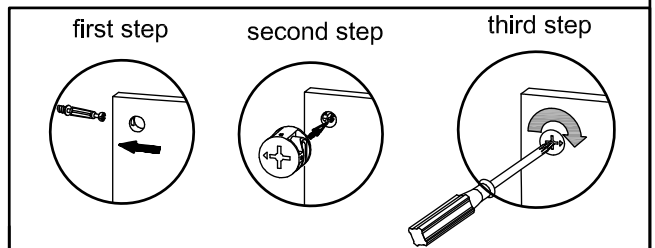
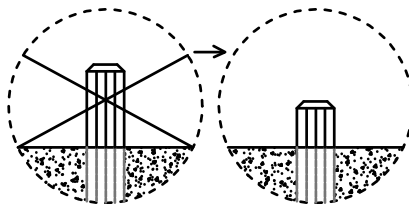
Attention: Cam lock arrow point to the steel rod.



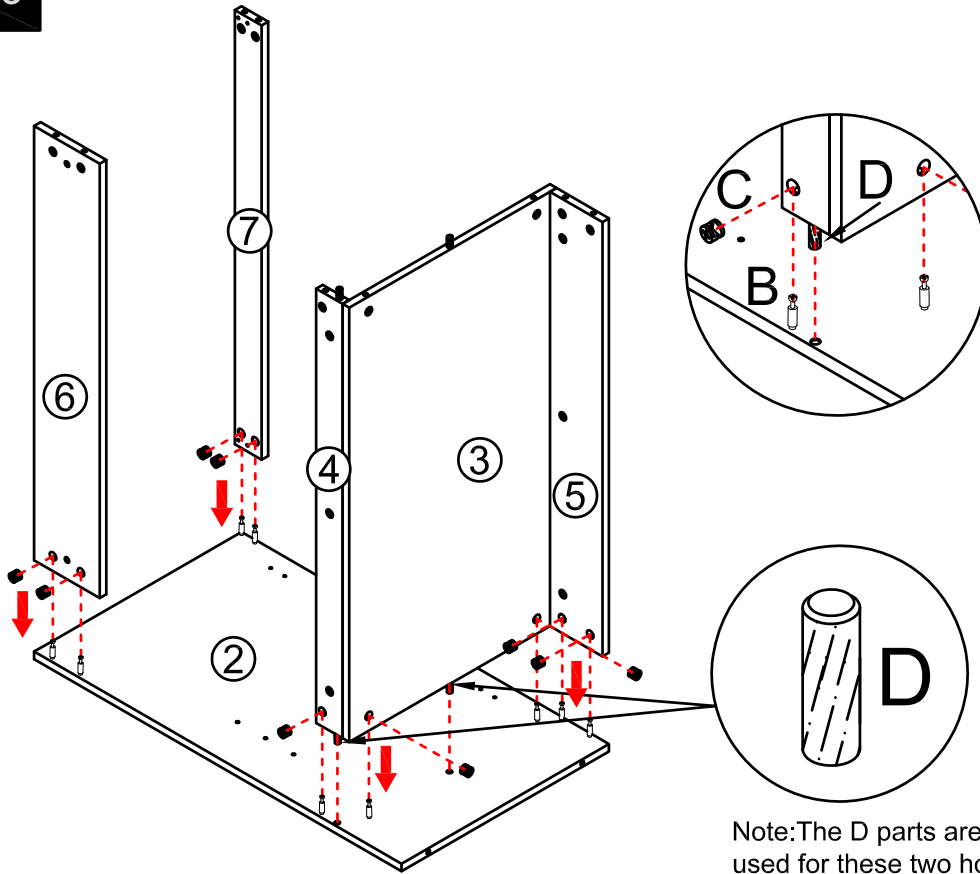
Step 2




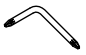


-  x3
- B**
-  x3
- C**
- 
- O**



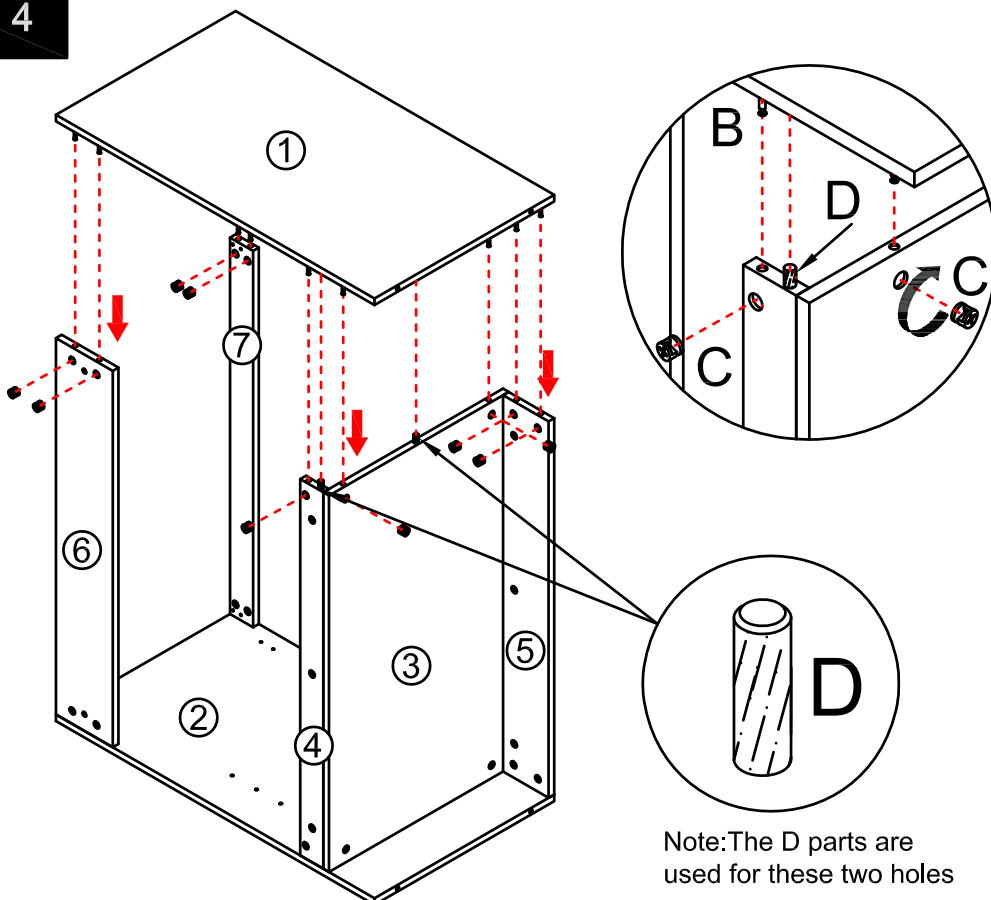
Step 3




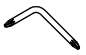


	x9
B	
	x9
C	
	x2
D	
	
O	

Note: The D parts are used for these two holes

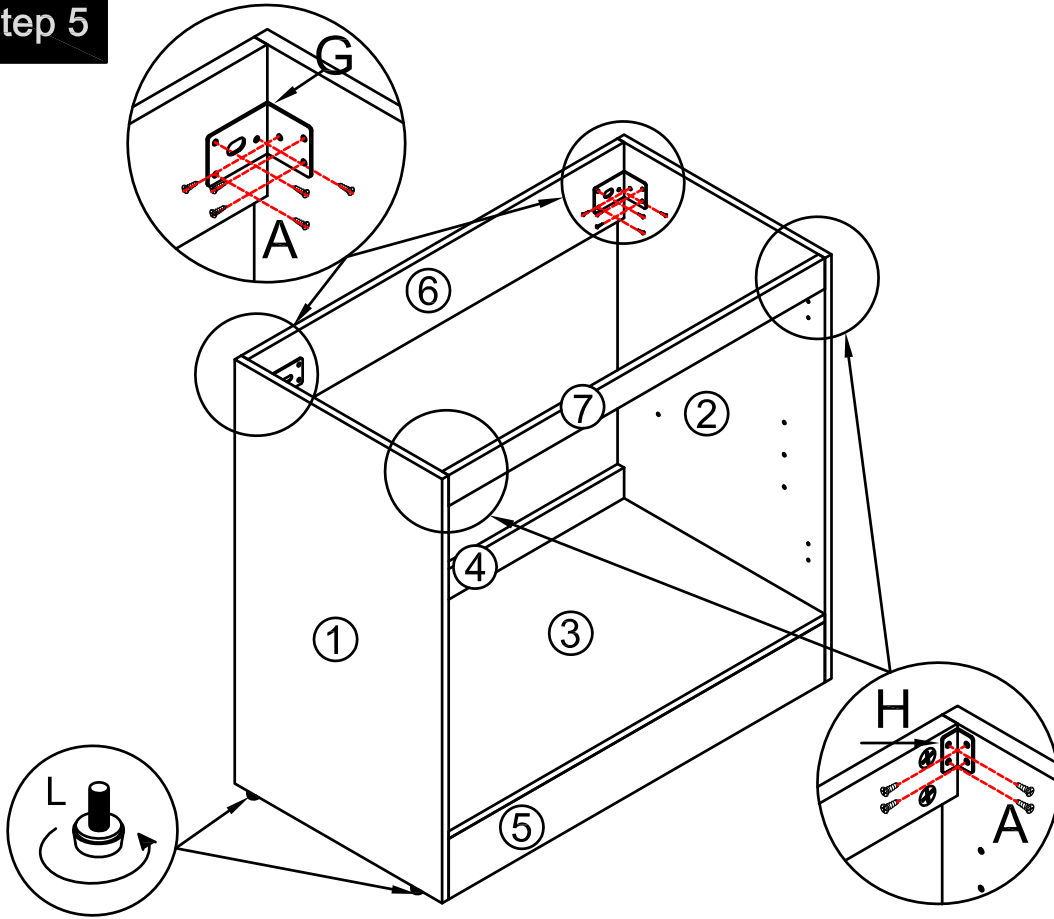
Step 4

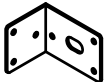






	x9
B	
	x9
C	
	x2
D	
	
O	

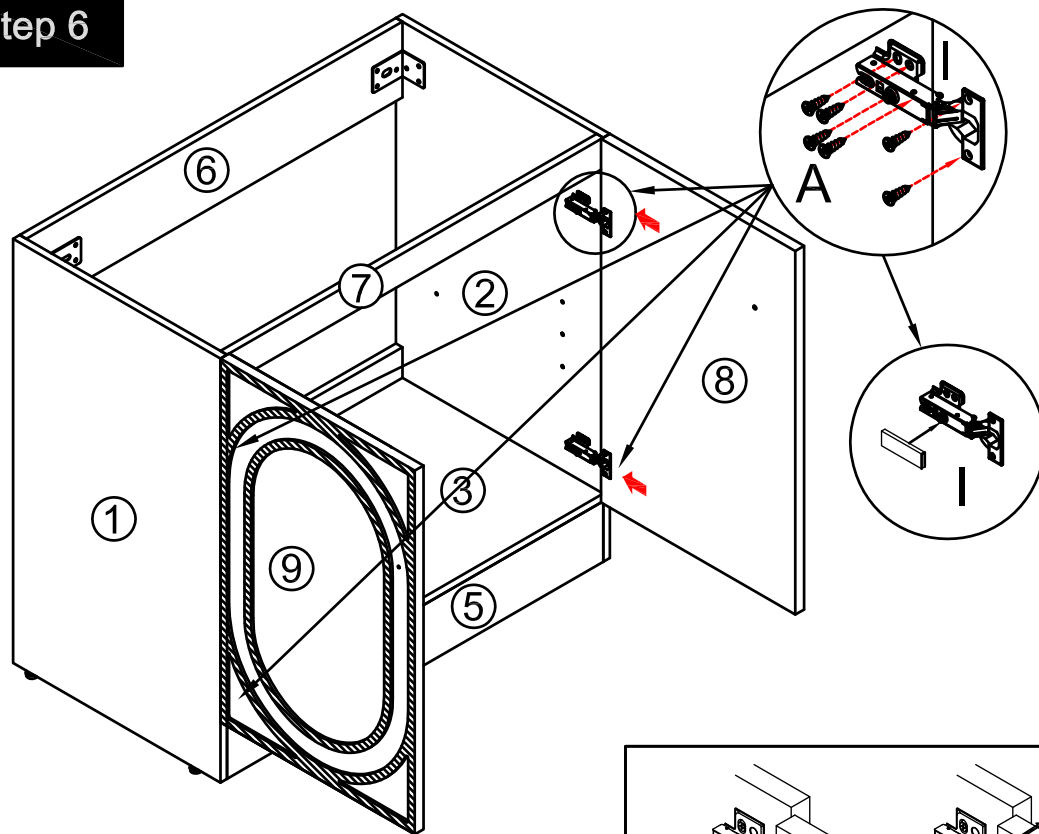
Note: The D parts are used for these two holes

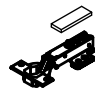


Step 5



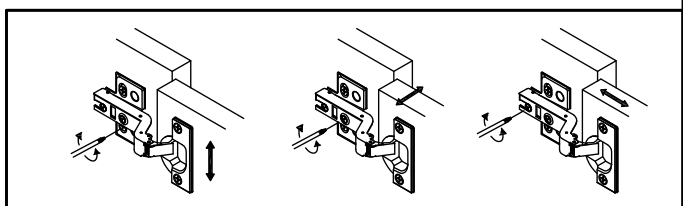
	x2
G	
	x2
H	
(Ø4 x 14mm)	
	x20
A	
	x4
L	
	
Tool	

Step 6

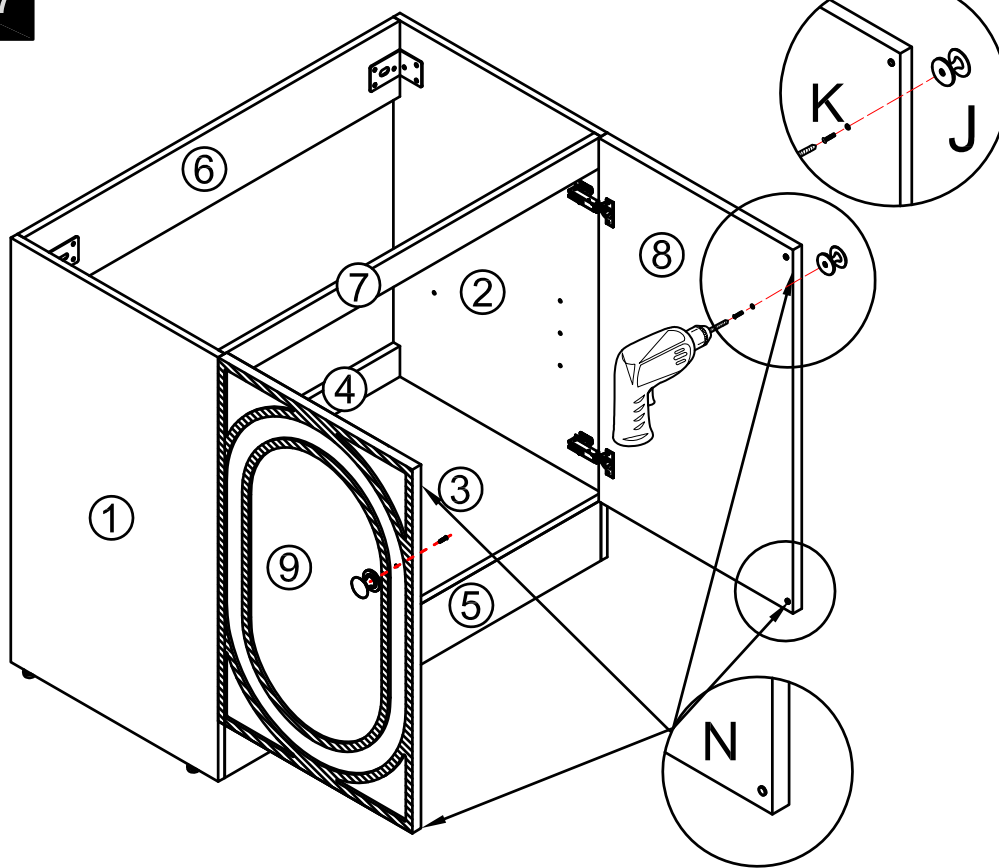


	x4
A	
(Ø4 x 14mm)	
	x24
I	
	
Tool	

You can adjust the doors by tightening or loosening the screws on the hinge. →



Step 7



J

(M4 x 22mm)



x2

K



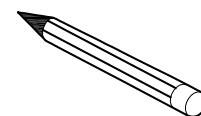
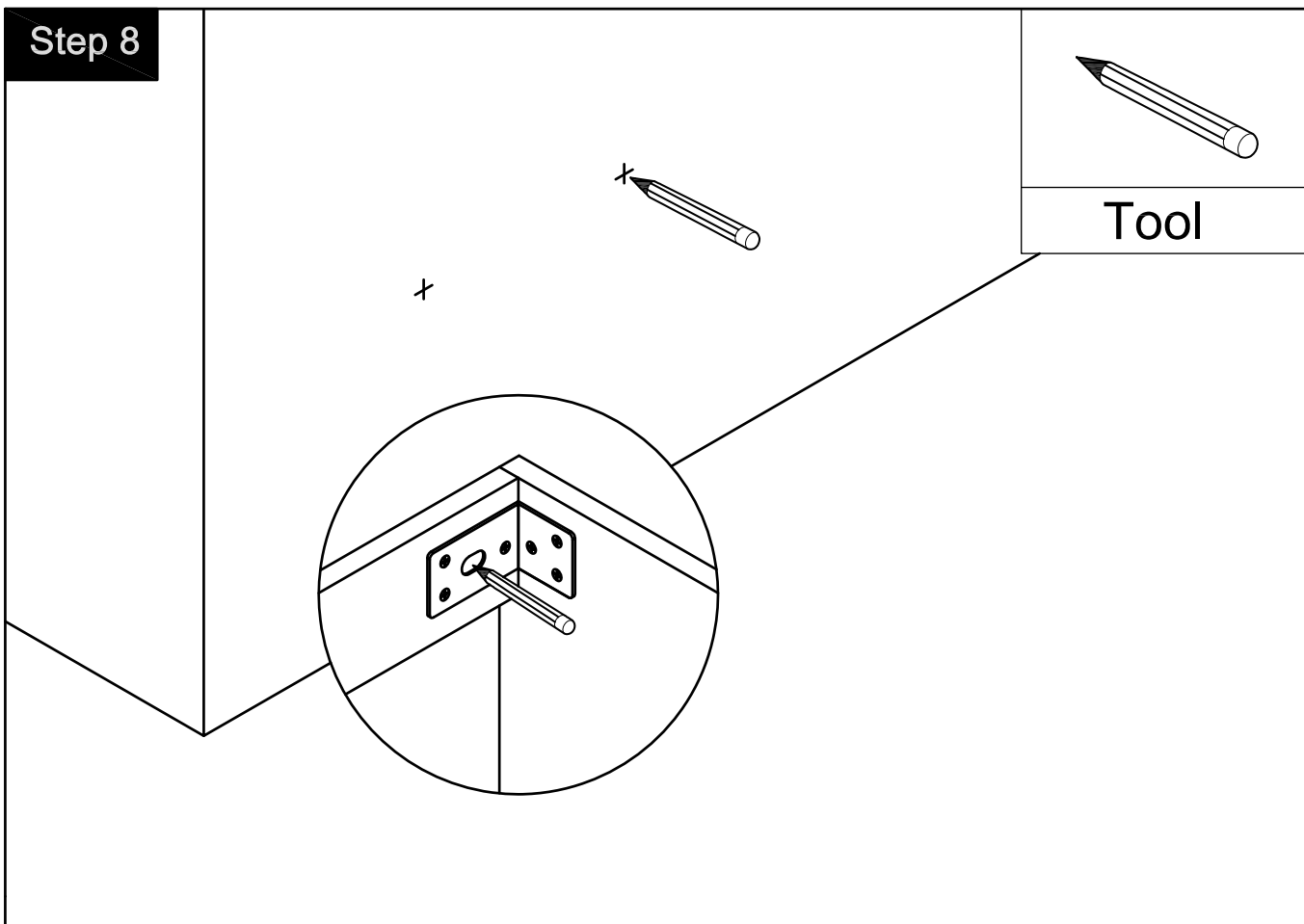
x4

N



Tool

Step 8

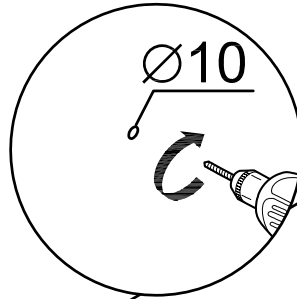
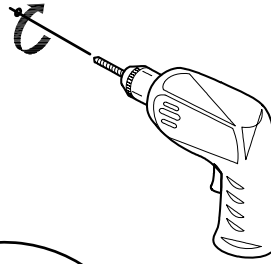


Tool

Step 9



Tool

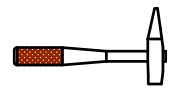


Step 10

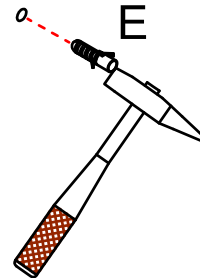
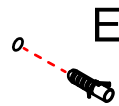


x2

E



Tool



Step 11

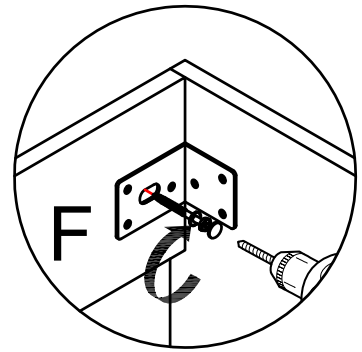
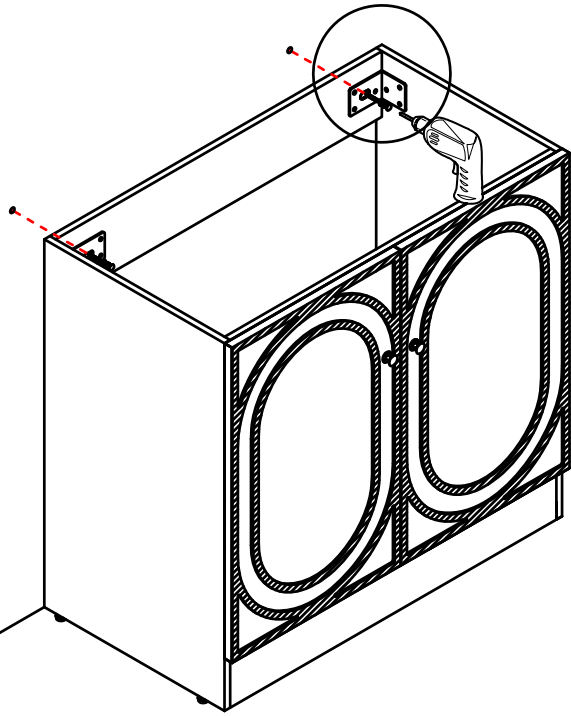


x2

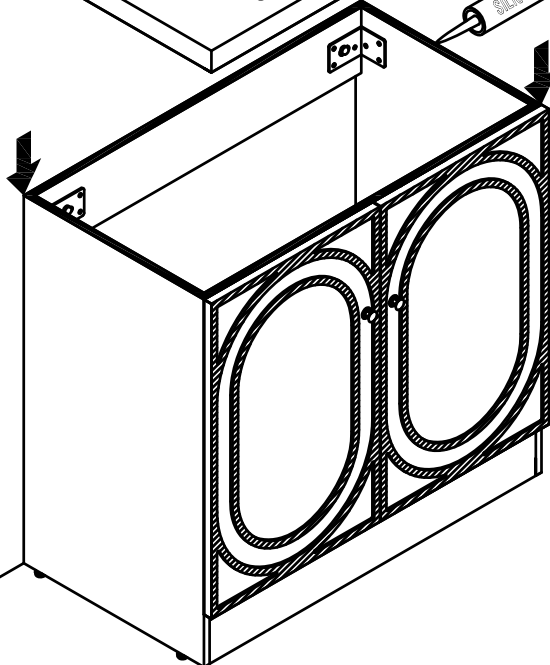
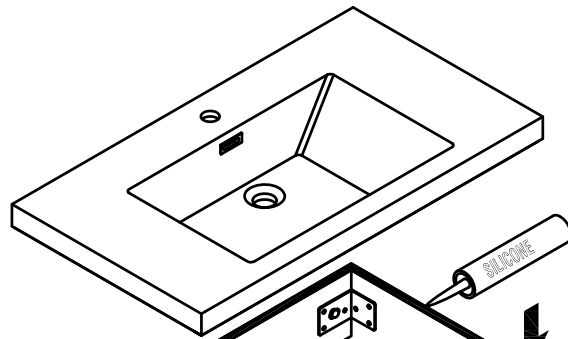
F



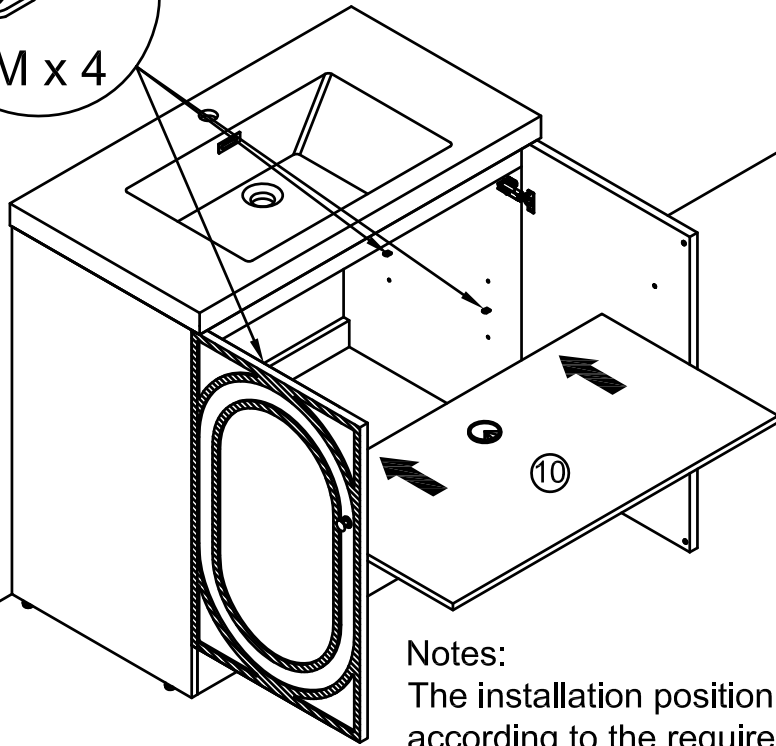
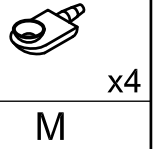
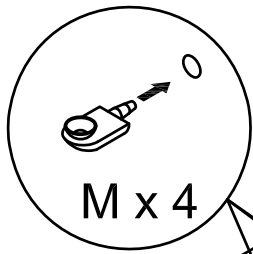
Tool



Step 12

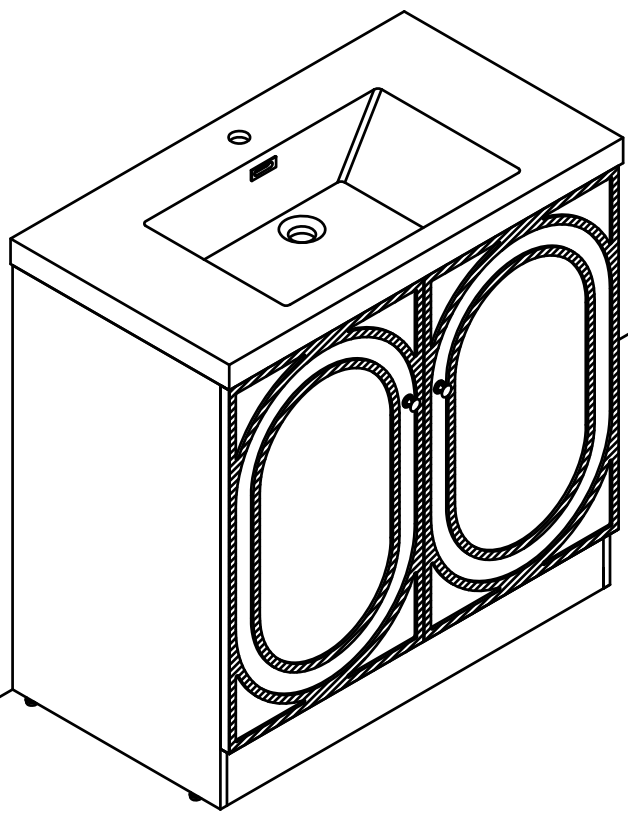


Step 13

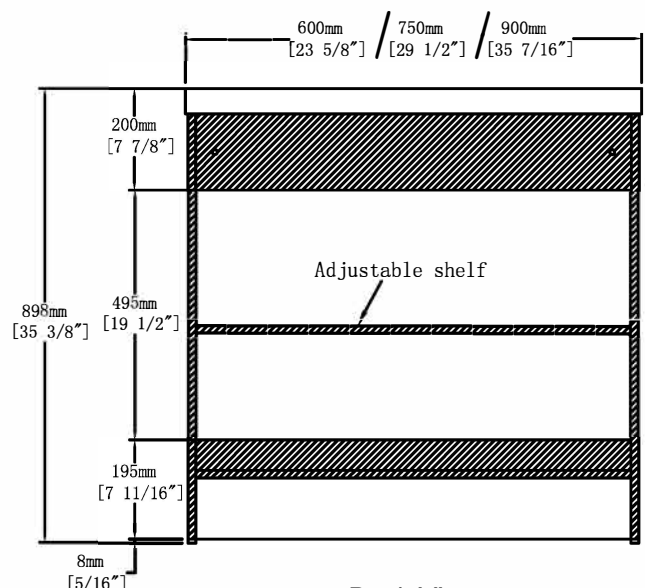
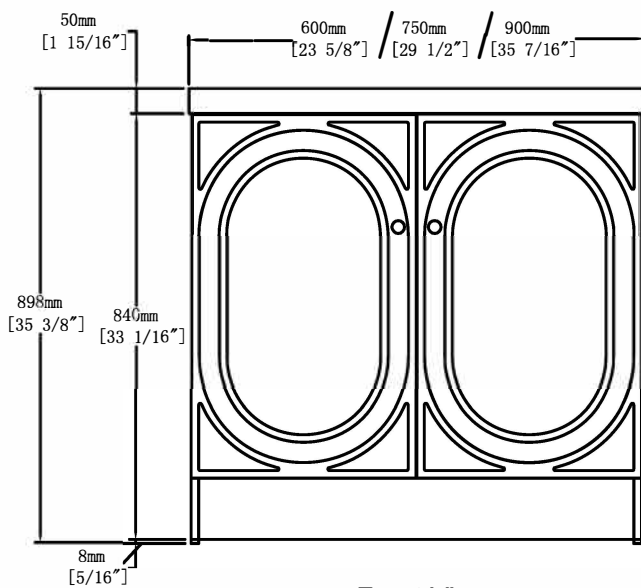
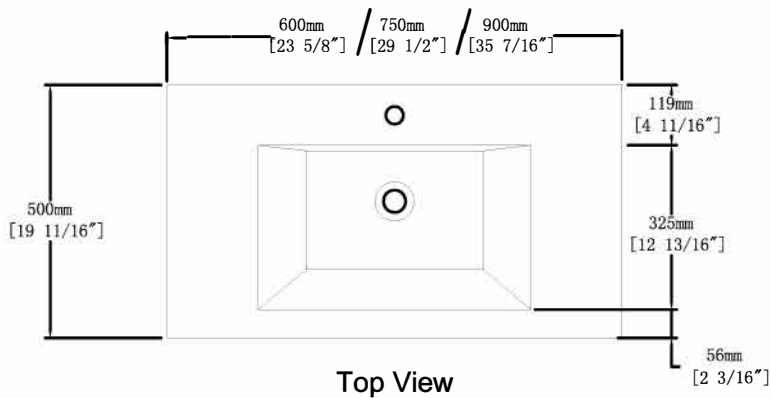


Notes:
The installation position can be selected according to the required height.

Finished



Dimensions



Front View

Back View

CARE CLEANING AND MAINTENANCE

1. Dust regularly with a soft, dry cloth.
2. Avoid the use of all chemicals household cleaners, abrasives, or cleaners that contain lemon, vinegar, or other acids that may damage the finish.
3. Excessive exposure to sunlight and extreme changes in temperature and moisture can damage wood furniture.
4. The sink is fragile, please pay attention to maintaining its appearance.
5. Do not place hot appliances, such as curling irons and hot hair dryers directly on the countertop. Wipe spills immediately.