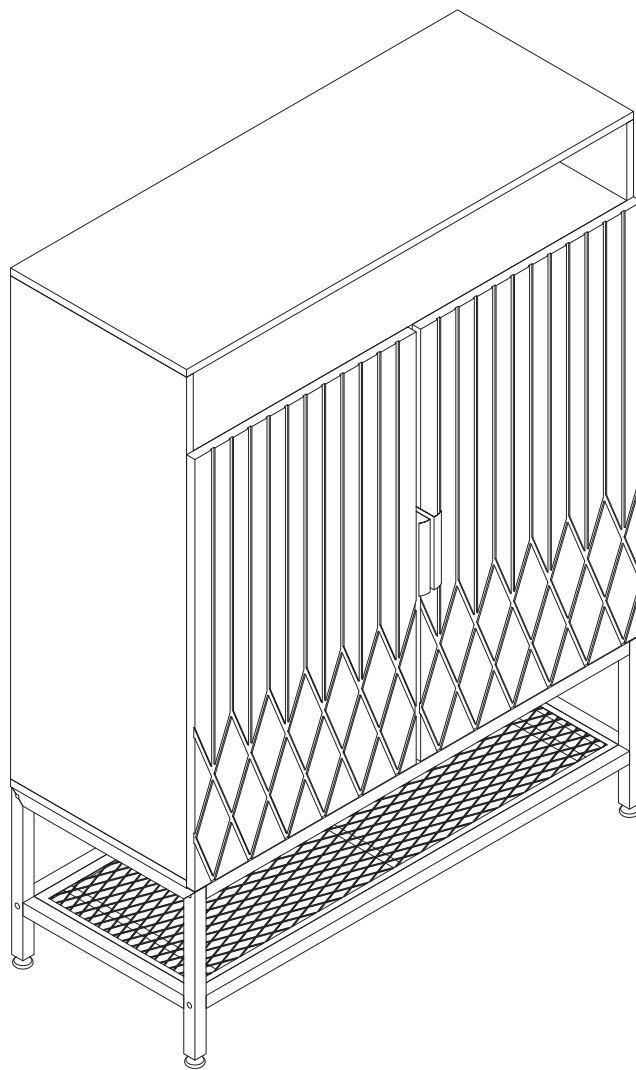


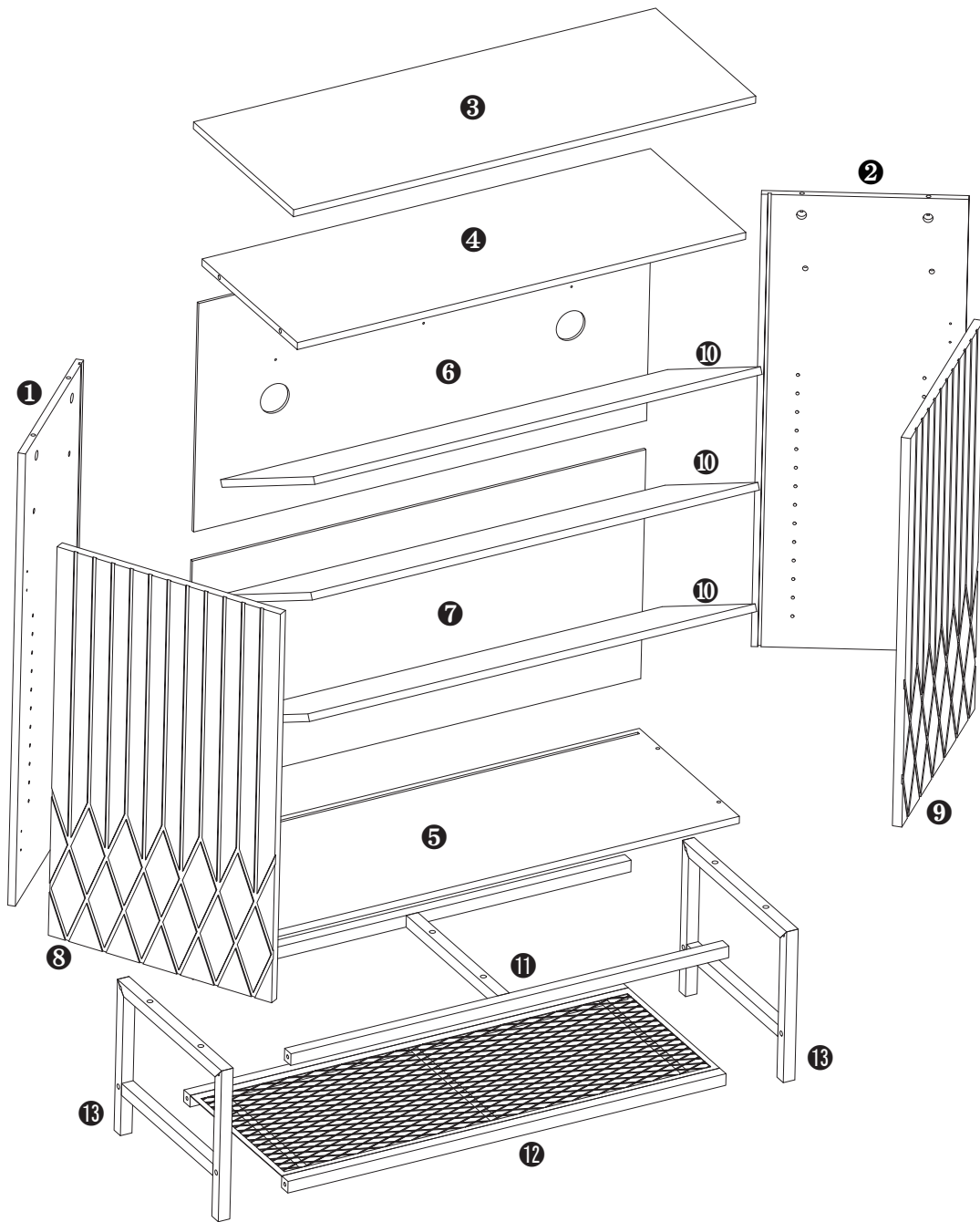
Shoes Cabinet Instruction Manual

Note: There is also a more detailed installation video on the product detail page .

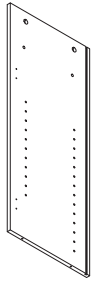


ASSEMBLY INSTRUCTION

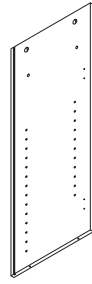
Decomposition of components



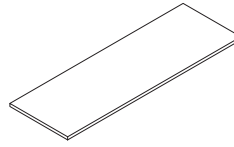
- 1、 To make sure you finish installation in the shortest time and easiest way, please strictly follow the steps of the instruction. If you have a helper, the installation will be certainly easier.
- 2、 Some parts of the shoes cabinet have sharp edges, so please be attentive to avoid scratches when installing;
- 3、 Due to the small size of some parts, please put them in a safe position when installing them to avoid accidental;
- 4、 We offer customers a free lifetime warranty. If you need help regarding product issues, after-sales service or other relevant problems, please contact us via the email provided on the cover.

1

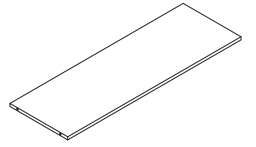
x1

2

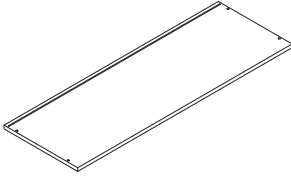
x1

3

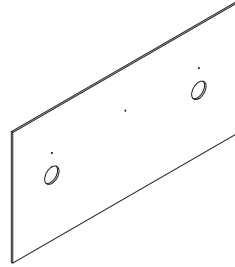
x1

4

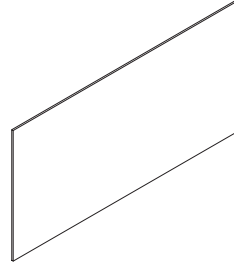
x1

5

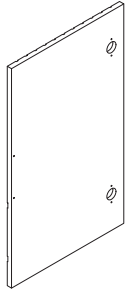
x1

6

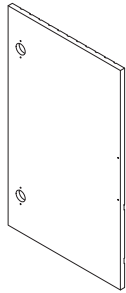
x1

7

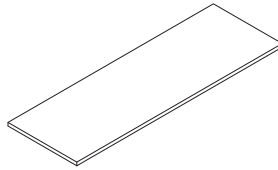
x1

8

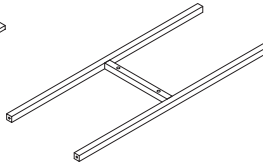
x1

9

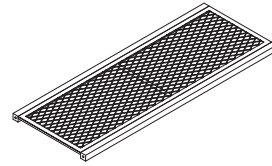
x1

10

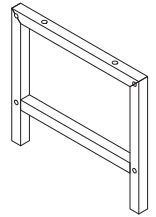
x3

11

x1

12

x1

13

x2

A

x4

B

x8

C

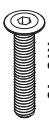
M3.5*14

x39

D

M5*40

x4

E

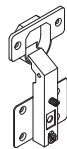
M6*40

x8

F

M6*28

x6

G

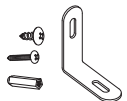
x4

H

x2

I

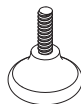
x12

J

x2

K

x1

L

x4

M

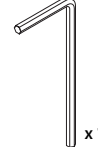
x8

N

x4

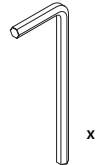
Installation tools

3#



x1

4#

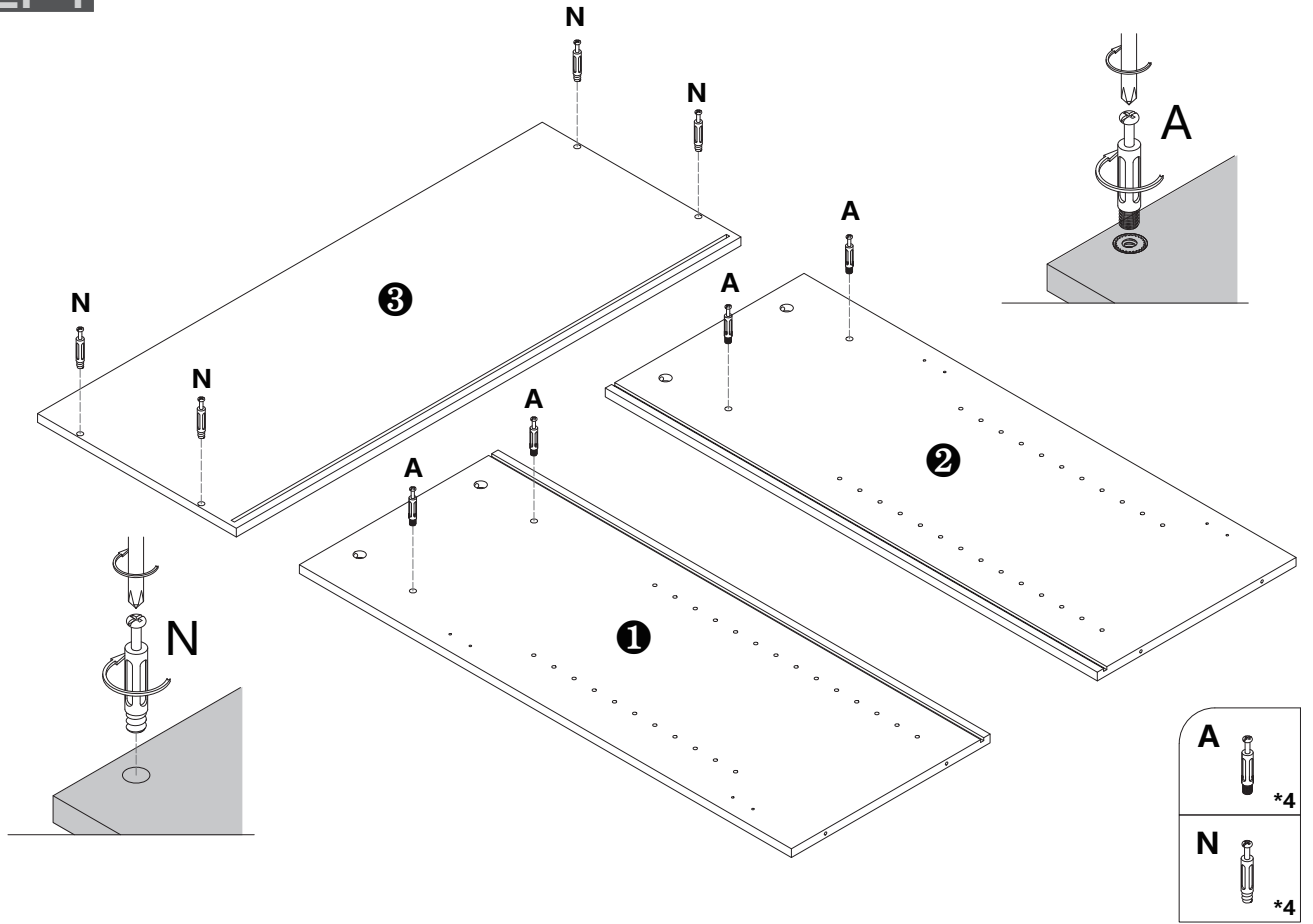


x1

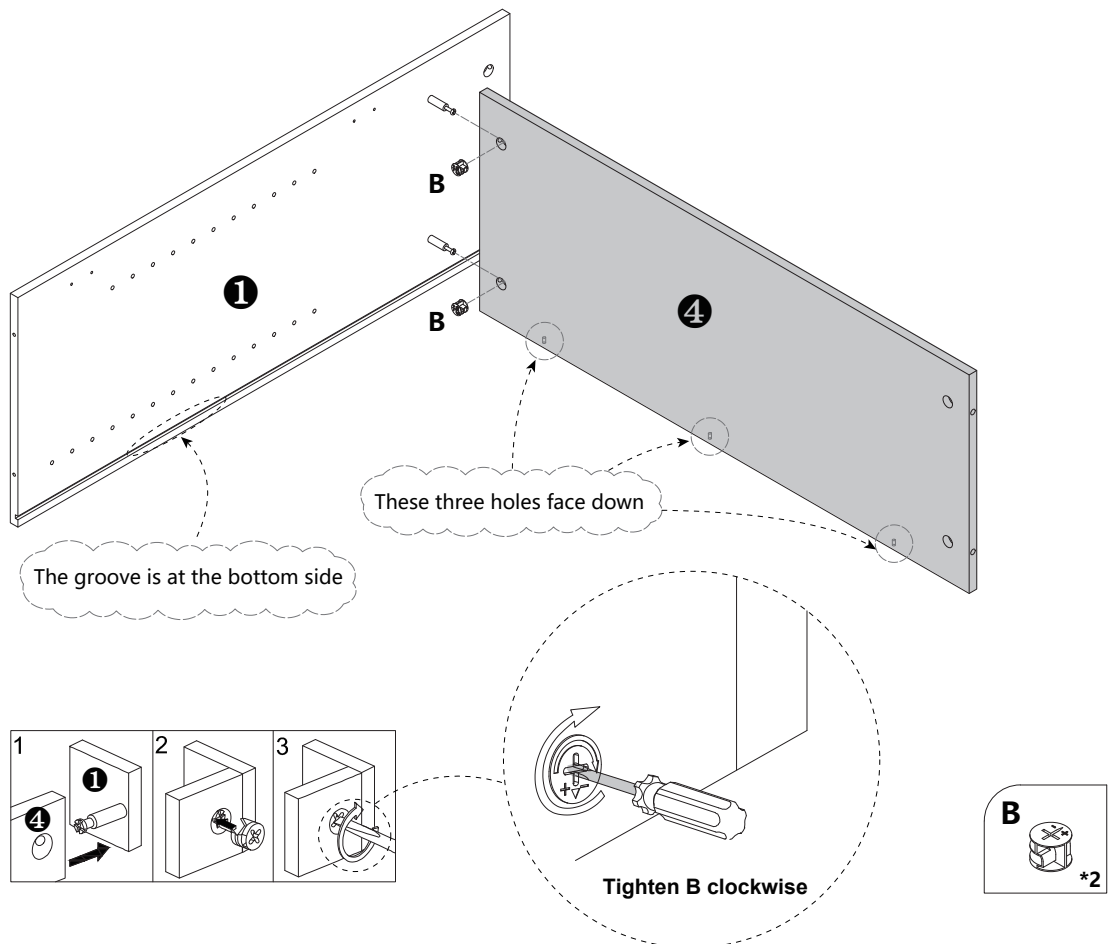


x1

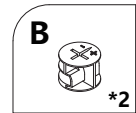
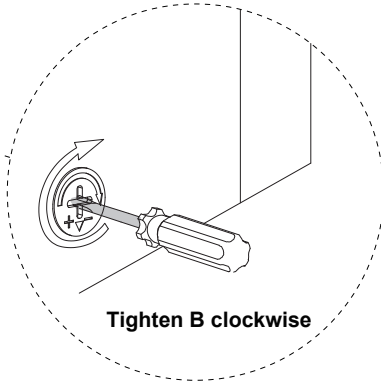
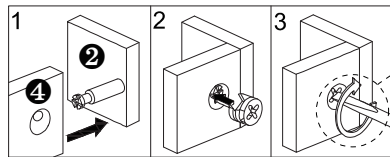
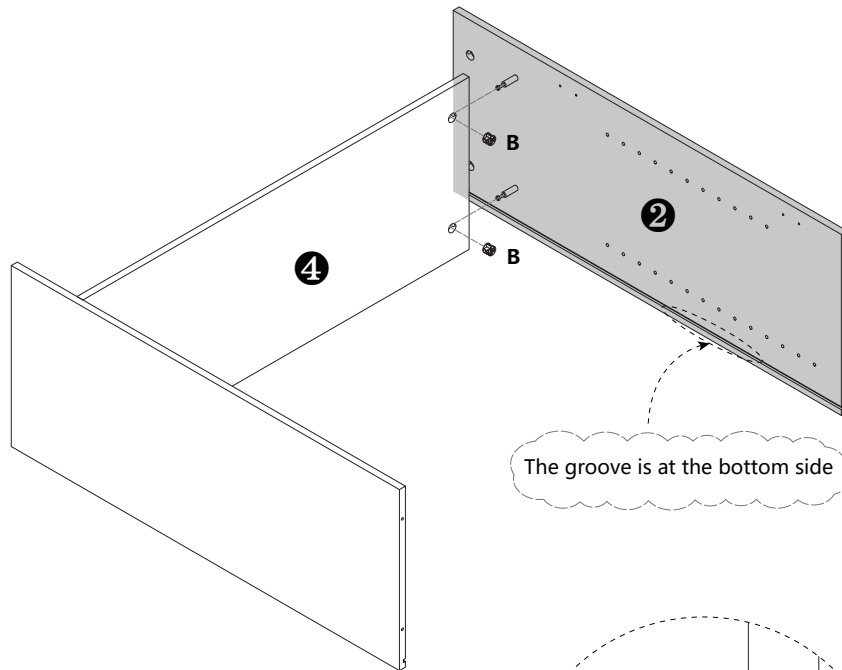
STEP 1



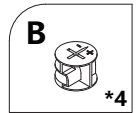
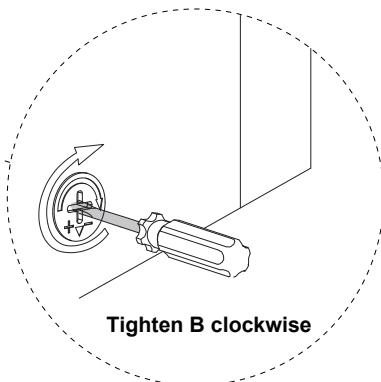
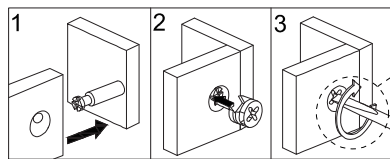
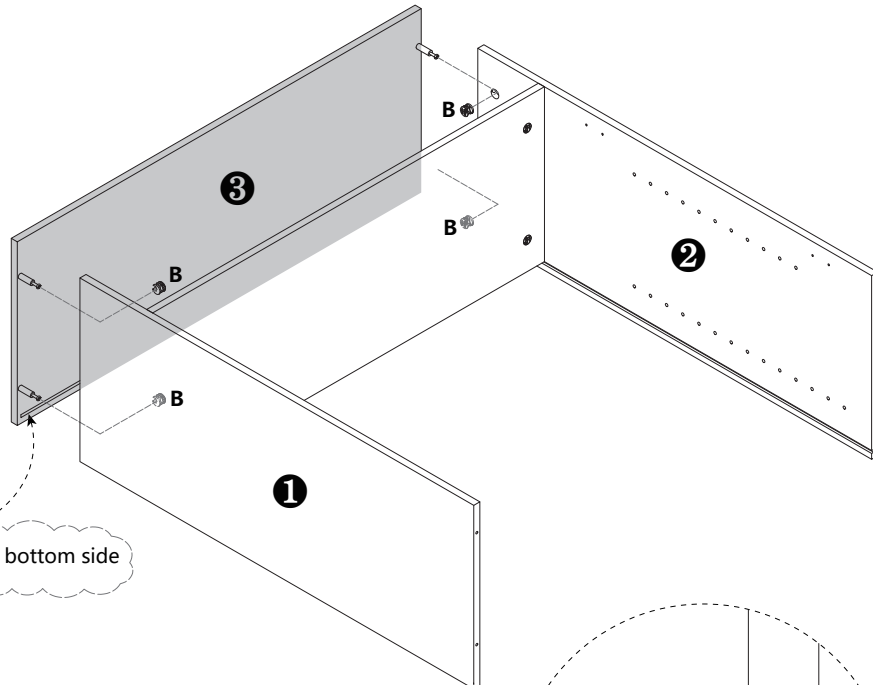
STEP 2



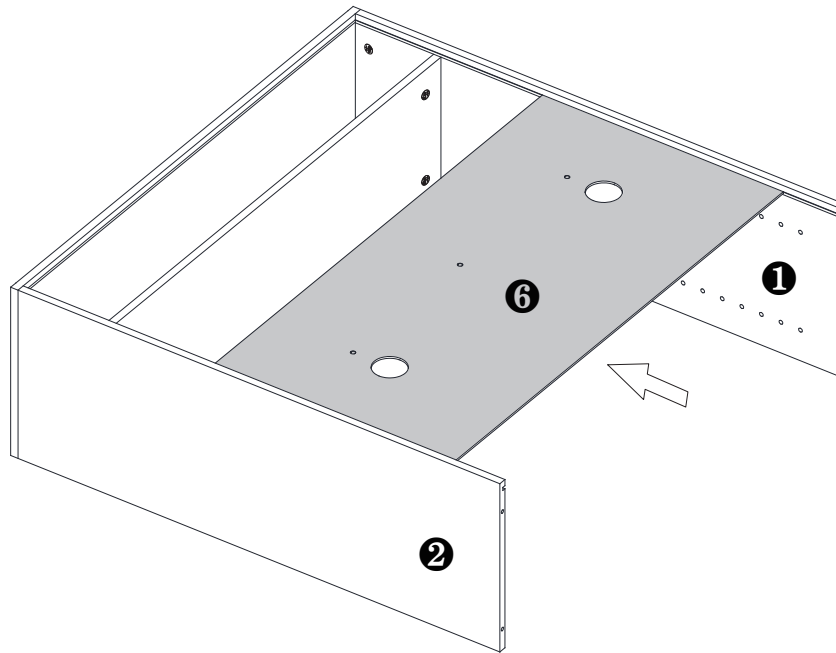
STEP 3



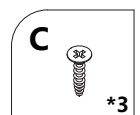
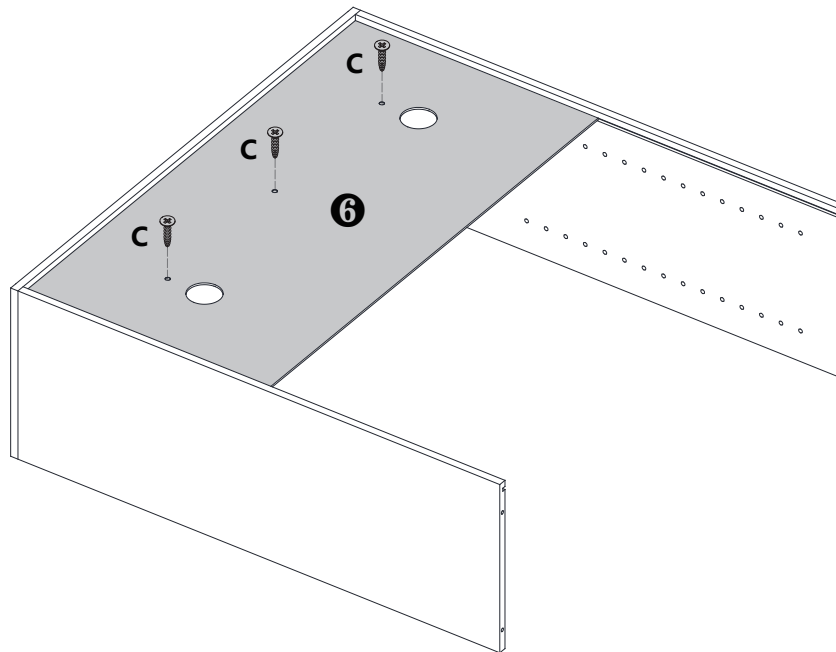
STEP 4



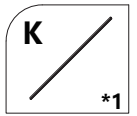
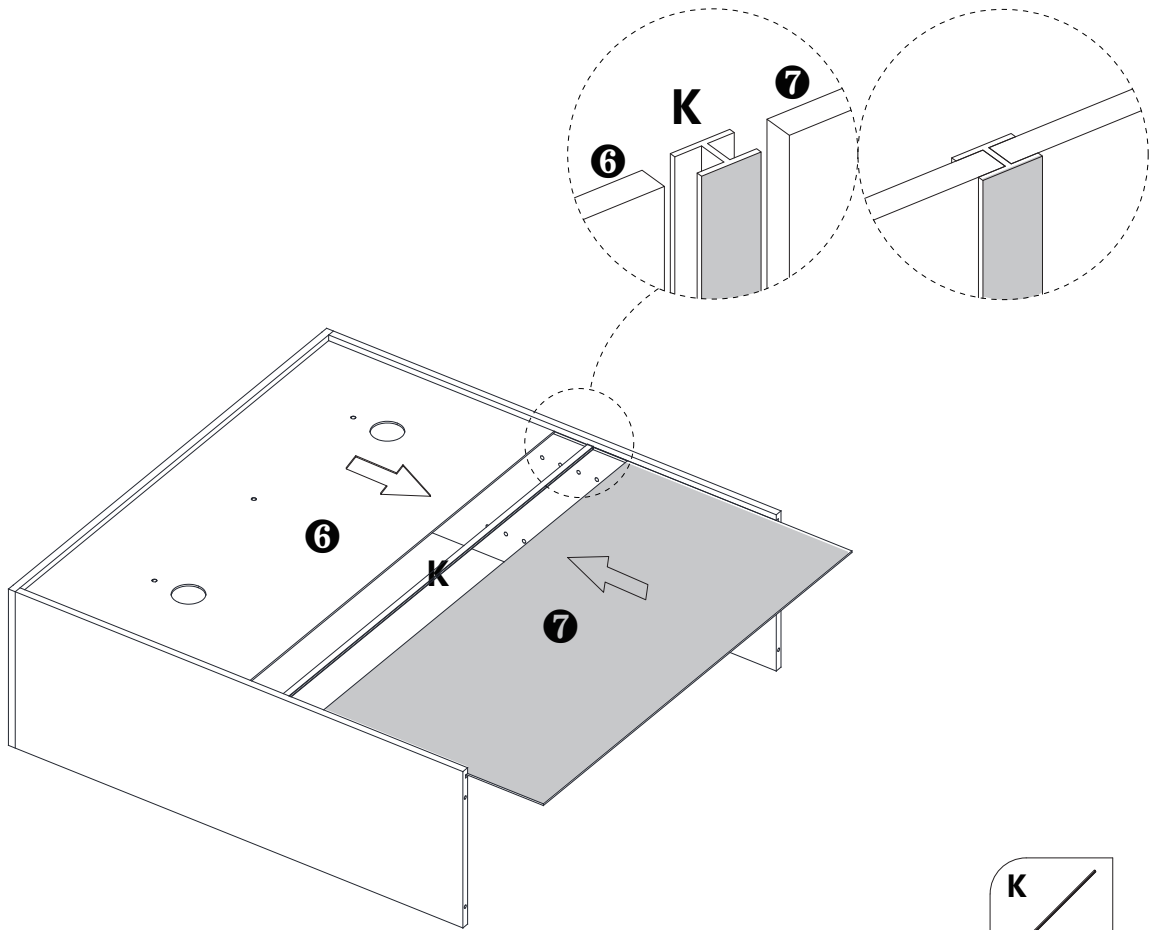
STEP 5



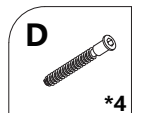
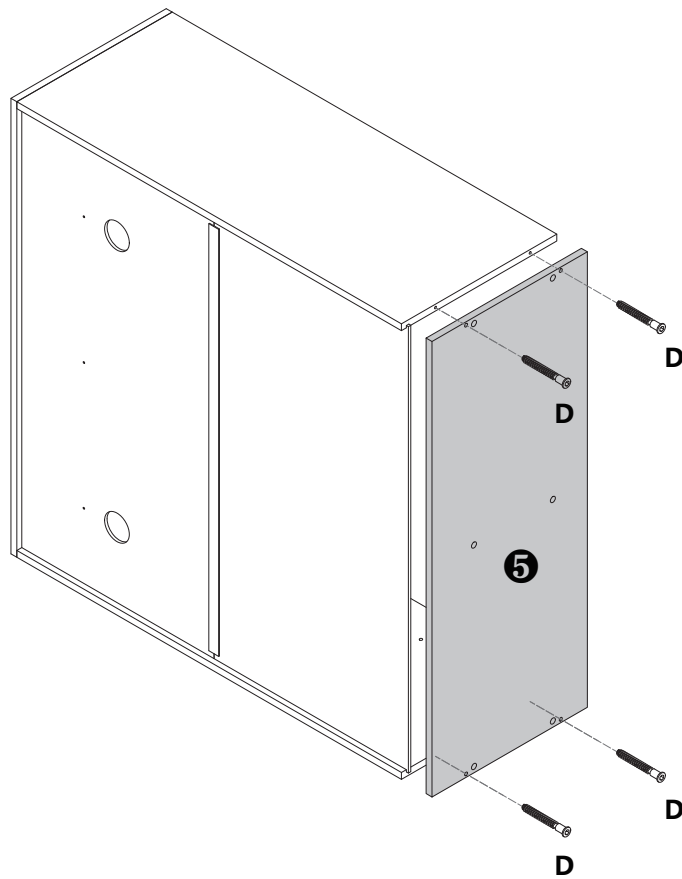
STEP 6



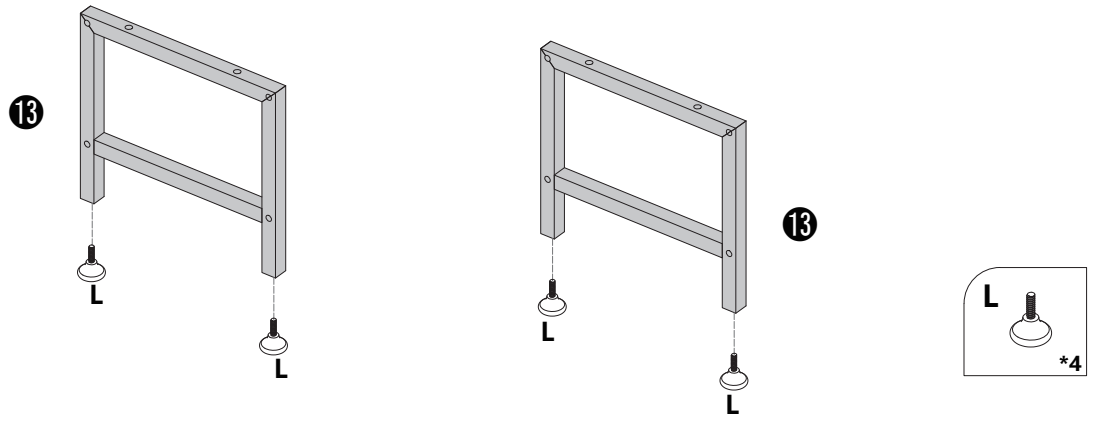
STEP 7



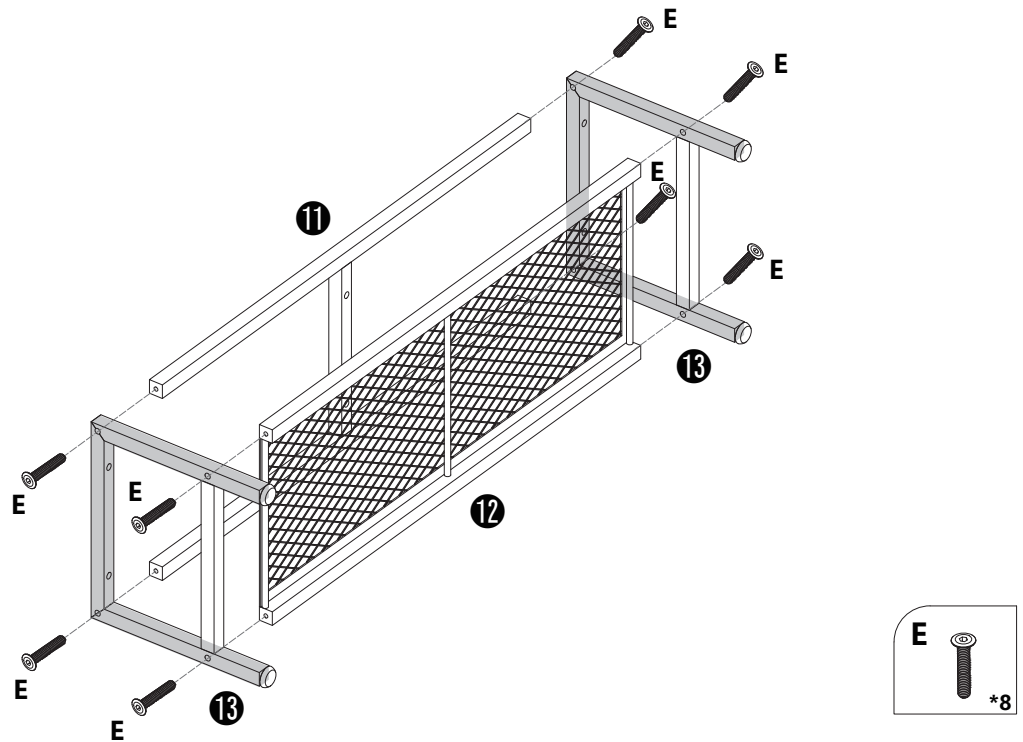
STEP 8



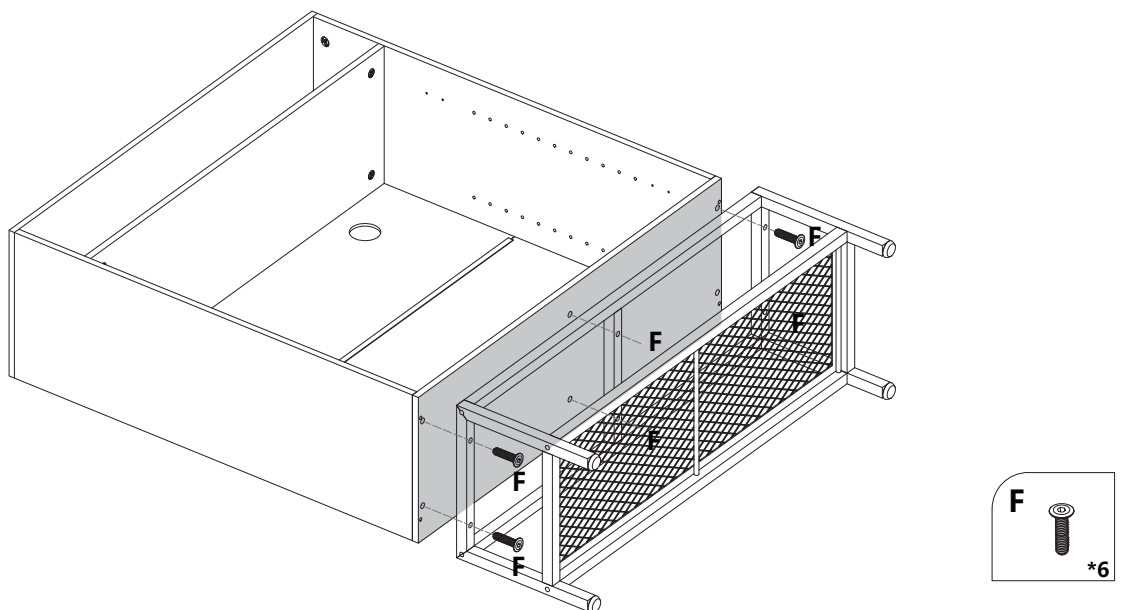
STEP 9



STEP 10

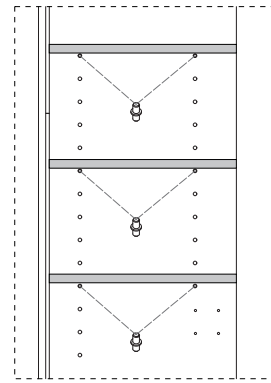
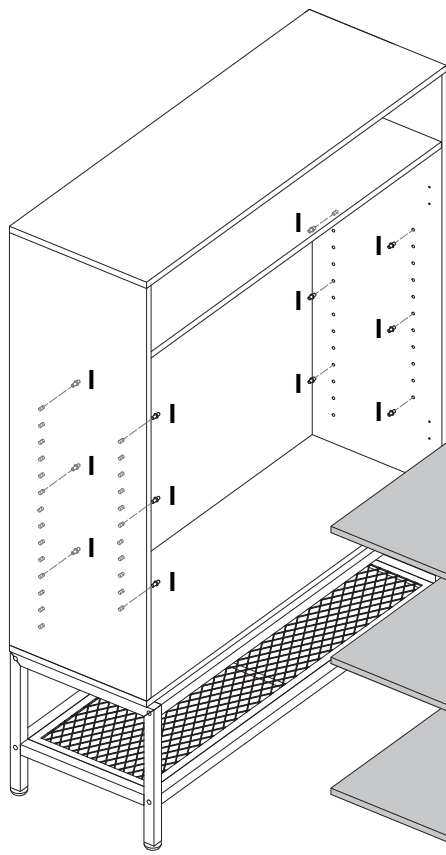


STEP 11

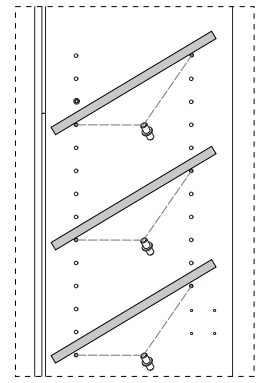


STEP 12

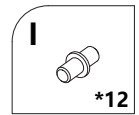
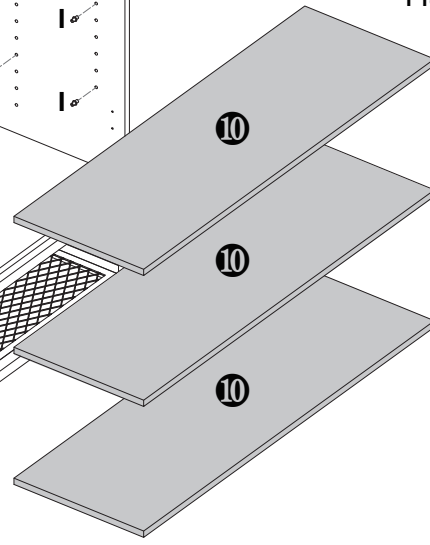
Position ⑩ as your needs



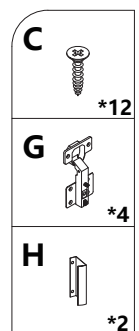
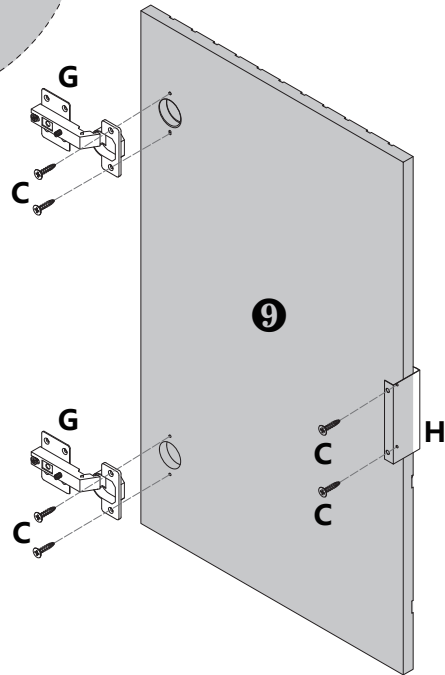
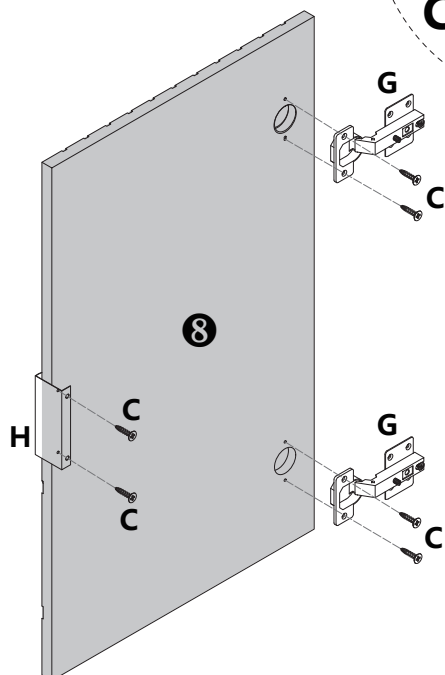
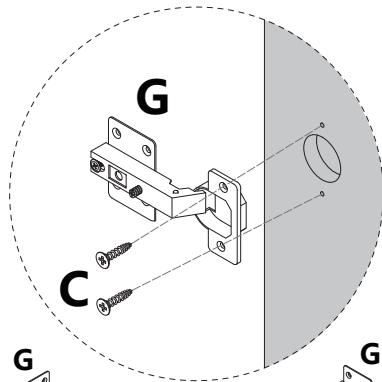
Flat



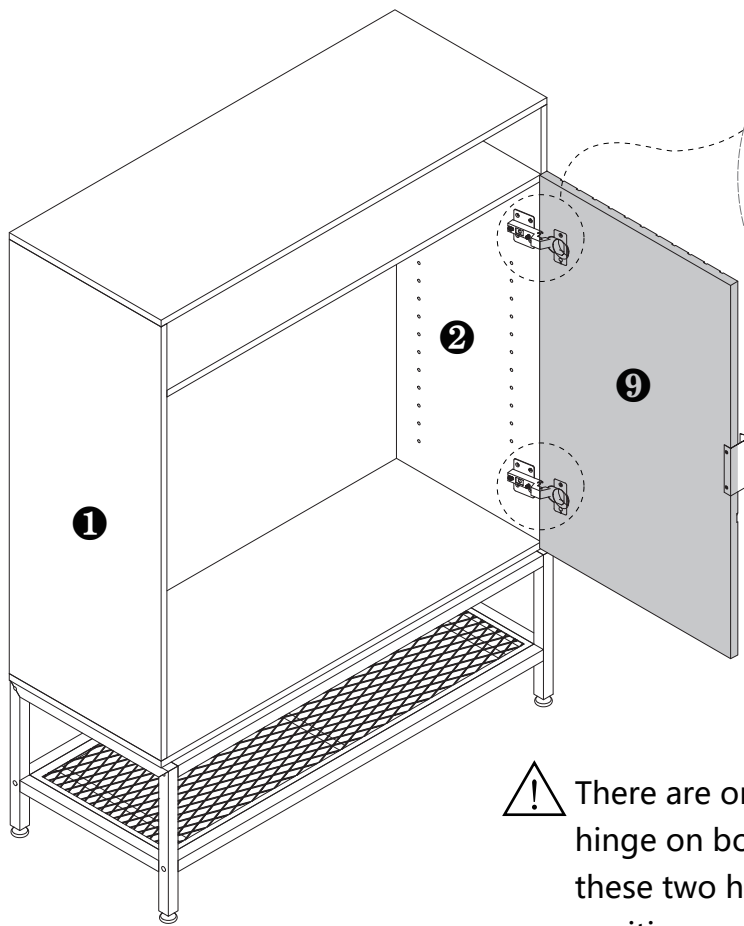
Tilt




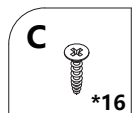
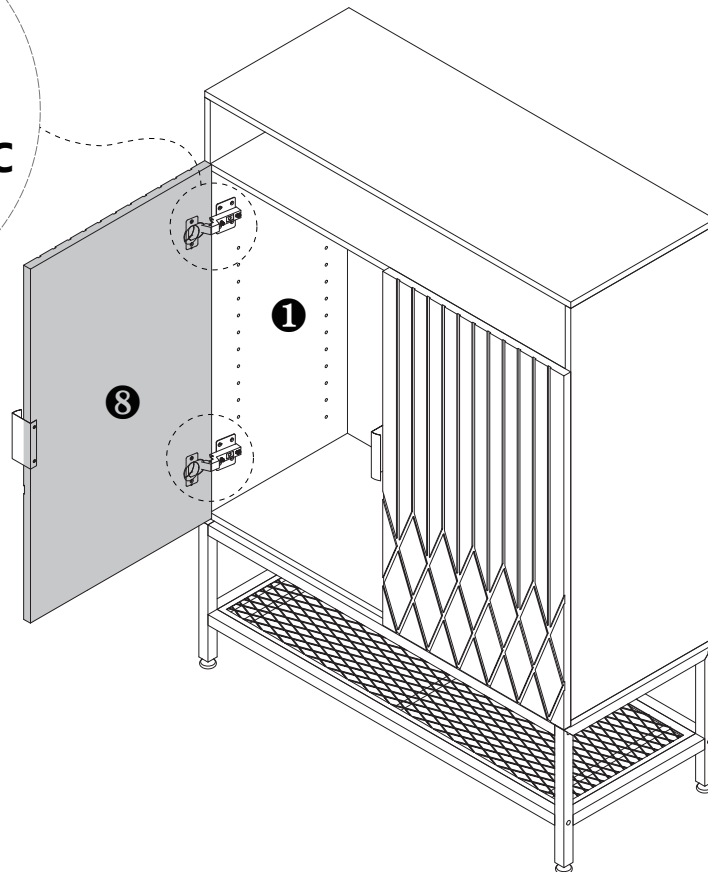
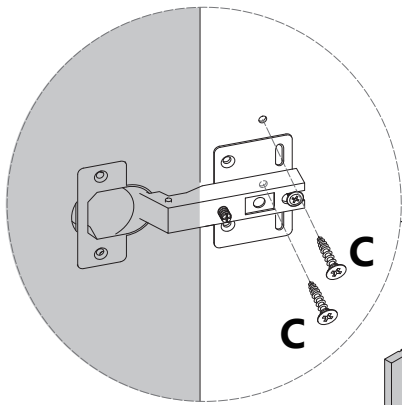
STEP 13



STEP 14

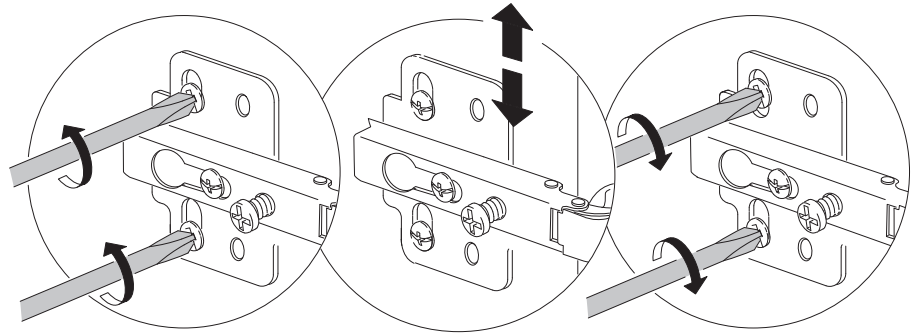
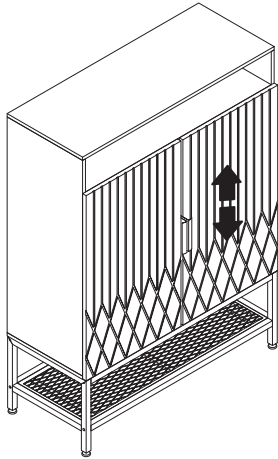


 There are only two holes for each door hinge on board **2** and **1**. Please secure these two holes first and adjust the door position according to STEP15. Finally, reinforce the remaining holes as your needs.

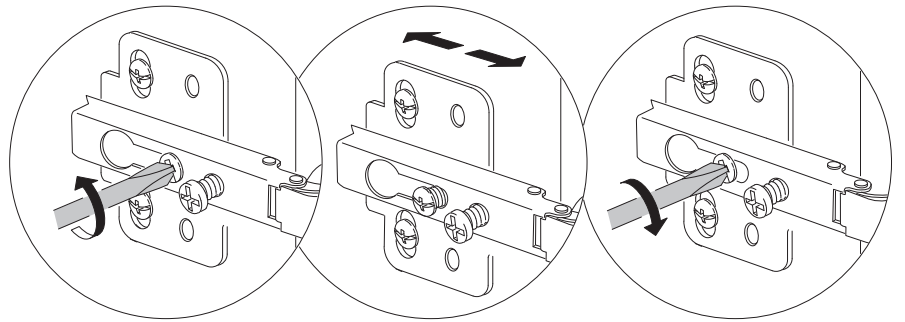
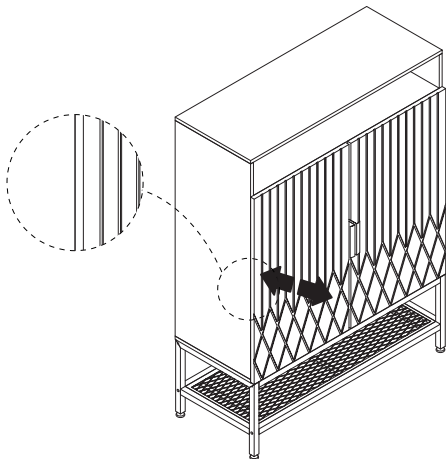


STEP 15

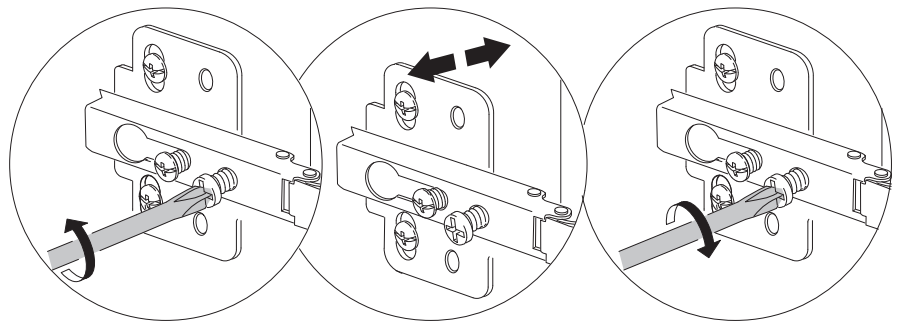
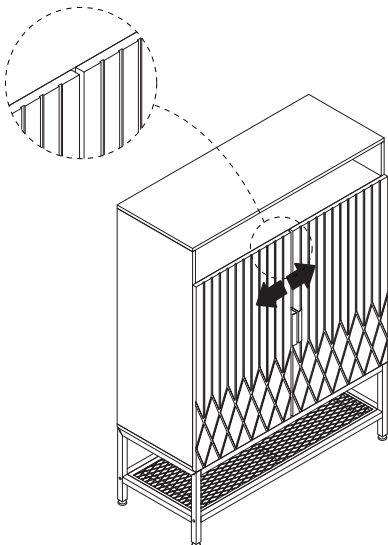
Adjust the hinge as your needs for doors position



Adjust door height

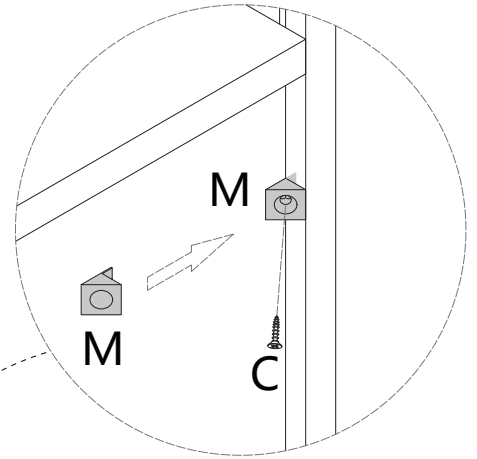
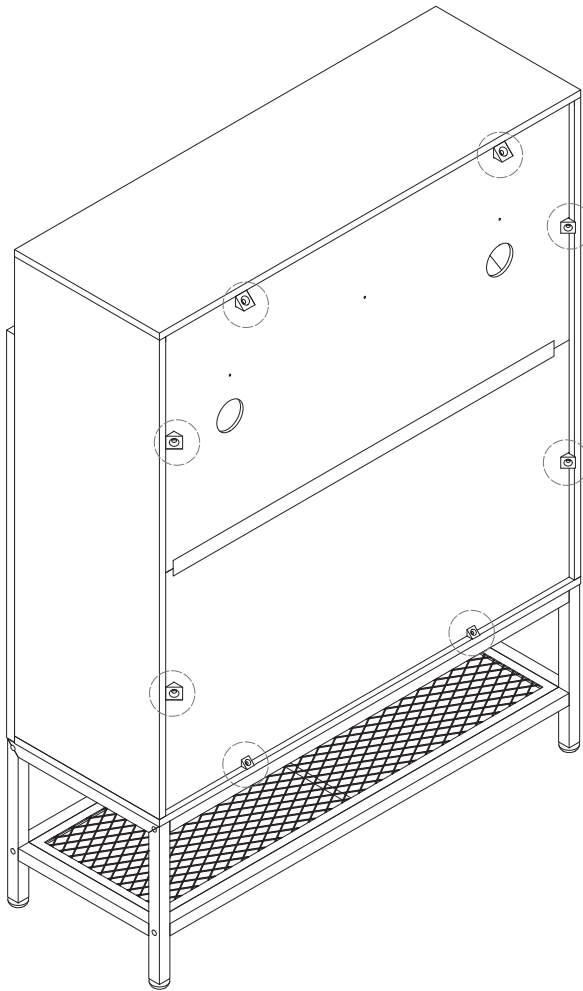


Adjust door depth

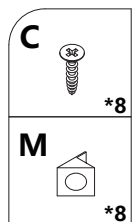


Adjust door length

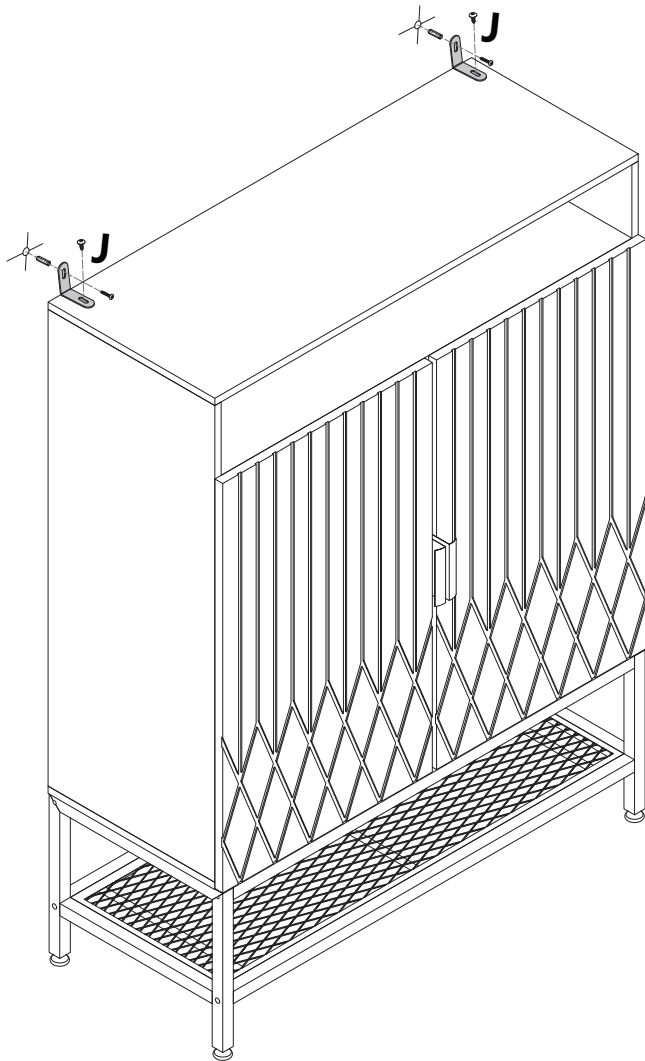
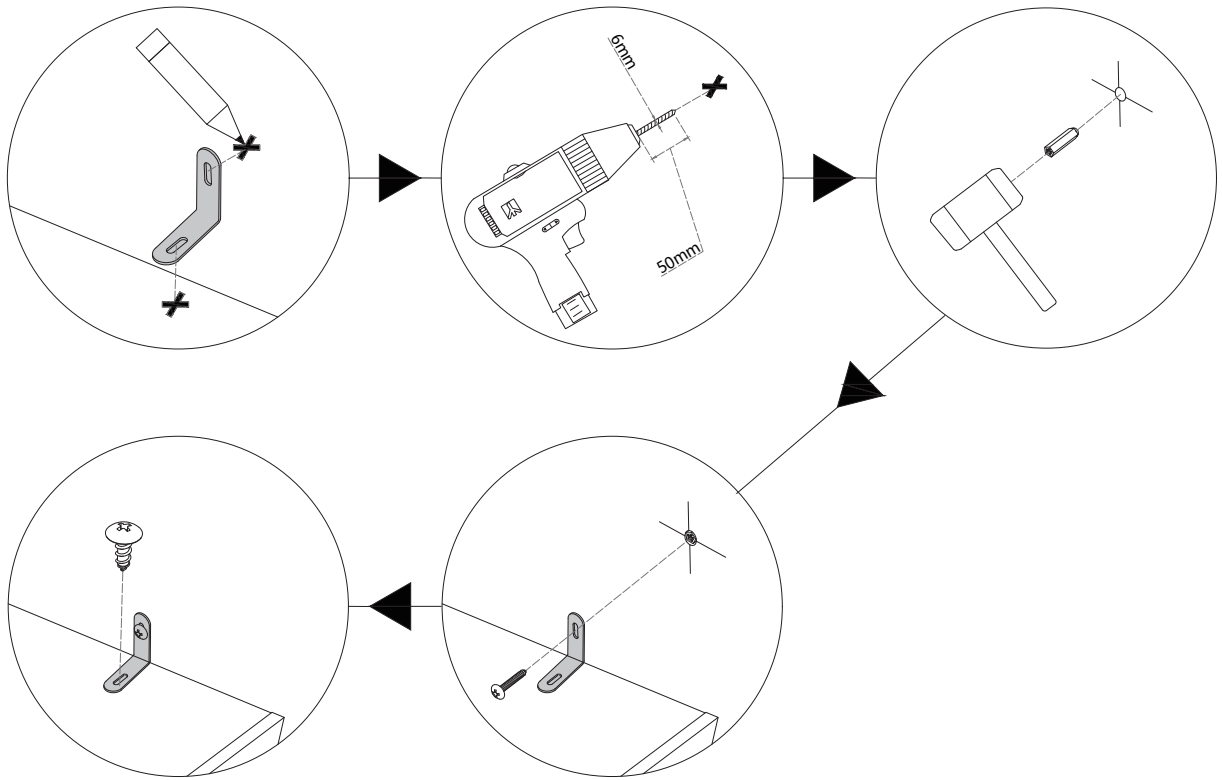
STEP 16



Use C and M Reinforce the Board



STEP 17



Attention: For safety and stability, we suggest you secure the anti-tip accessories to the wall to prevent tipping, injury, and property damage.

