

# Installation & Assembly



30 : 00

---

estimated assembly



2 or more

---

people required

Ok, let's  
get started!



- Put on mood music!
- To prevent damage to product, use the clean side of package carton or rug as working surface.
- In the event of missing or damaged parts, delivery problems etc., please reach out to our team. We will be happy to fix the problem!

# care guide

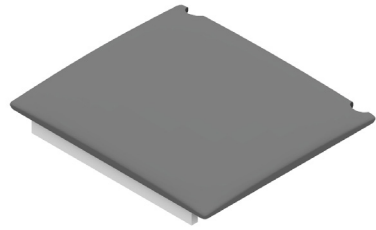
- Clean regularly with a soft and dry cloth.
- To protect finish, avoid use of abrasive cleaners.
- Wipe up spills immediately. Please!



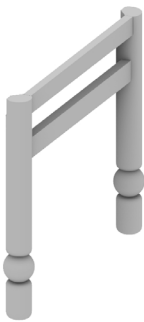
# product parts



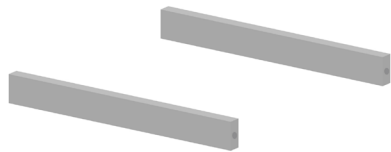
A  
Back Leg  
x1



B  
Seat  
x1



C  
Front Leg  
x1



D  
Leg Connector  
x2

# what's included



(E)- Bolt  
(35x6)  
x10



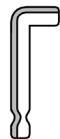
(F)- Bolt  
(50x6)  
x4



(G)- Washer  
(16x6)  
x10



(H)- Lock Washer  
(12X6)  
X10



(I)- Allen Key  
(4mm)  
x1

## assembly instructions

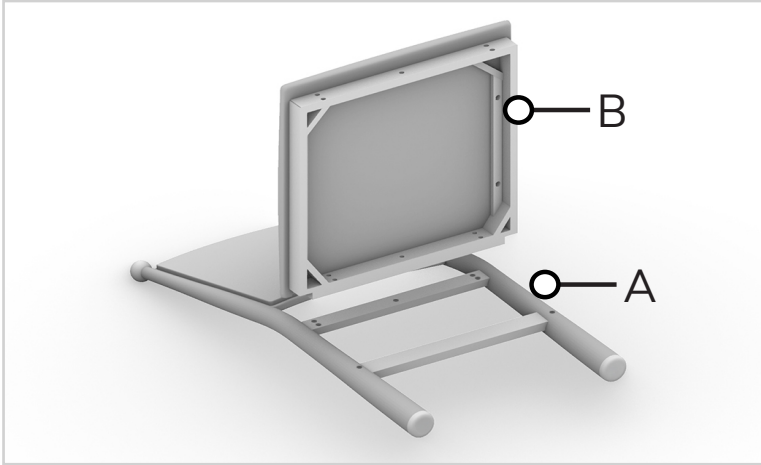
Friendly Tip: Take a deep breath going in. This may be a tricky part, but nothing too overwhelming. Just follow these steps to the T and the outcome will be worth it!



- ⓘ While assembling the product, tighten the bolts up to 50%. Once all parts are in place, only then fully tighten the bolts.

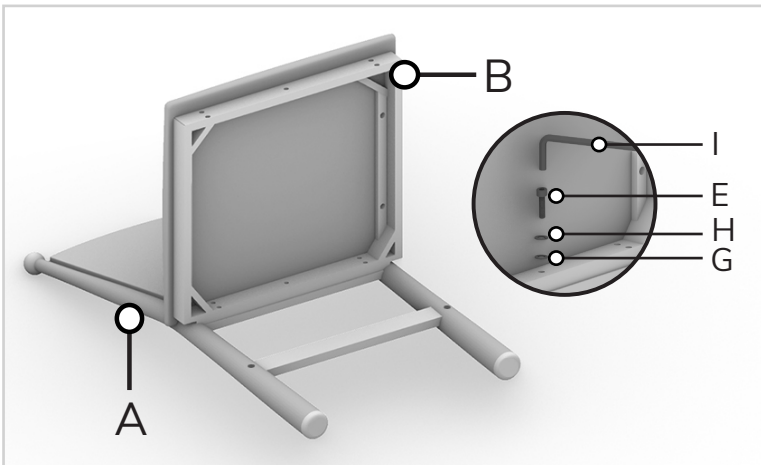
## step 1:

Start by placing the back leg (A) on a flat surface with the front side facing up. Now, place the seat (B) over the slots on the back leg & align them with the slots on the seat.



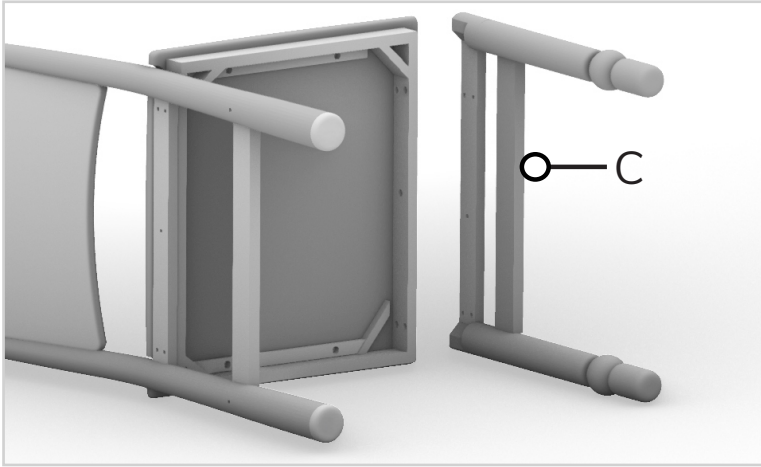
## step 2:

Now, fix the seat (B) to the back leg (A) by inserting the washer (G), lock washer (H) & bolt (E) and then rotating it in clockwise direction using allen key (I).



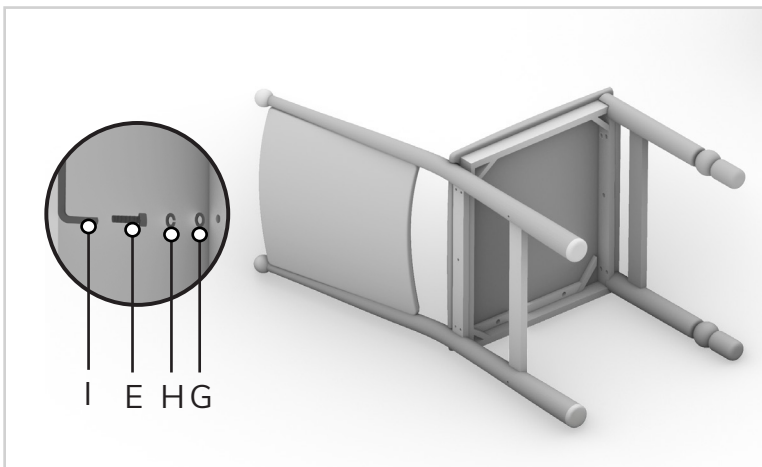
step 3:

Then, turn the chair on right side and place the front leg (C) under the front of the seat (B). Align the slots on (B) with the slots on (C).



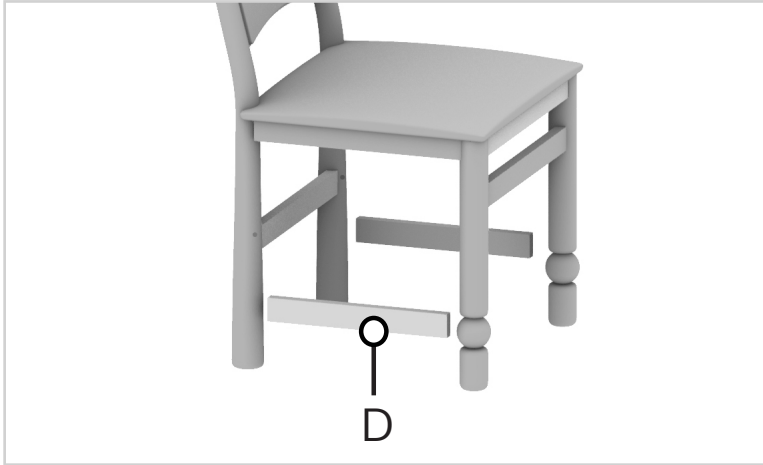
step 4:

Now, fix the seat (B) to the front leg (C) by inserting the washer (G), lock washer (H) & bolt (E) and then rotating it in clockwise direction using allen key (I).



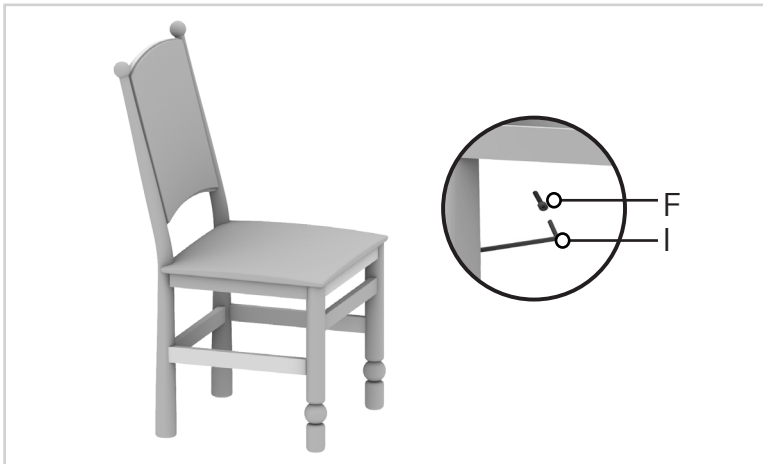
step 5:

When done, place the chair upright and align the leg connector (D) to the slots given on the front & back legs on the left side. Take the image as a reference.



step 6:

Fix it in place by bolt (F) into the given slots. Tighten using allen key (I). Repeat steps 5 & 6 on the other sides.



---

**Voila! Your chair is now assembled and secure!**