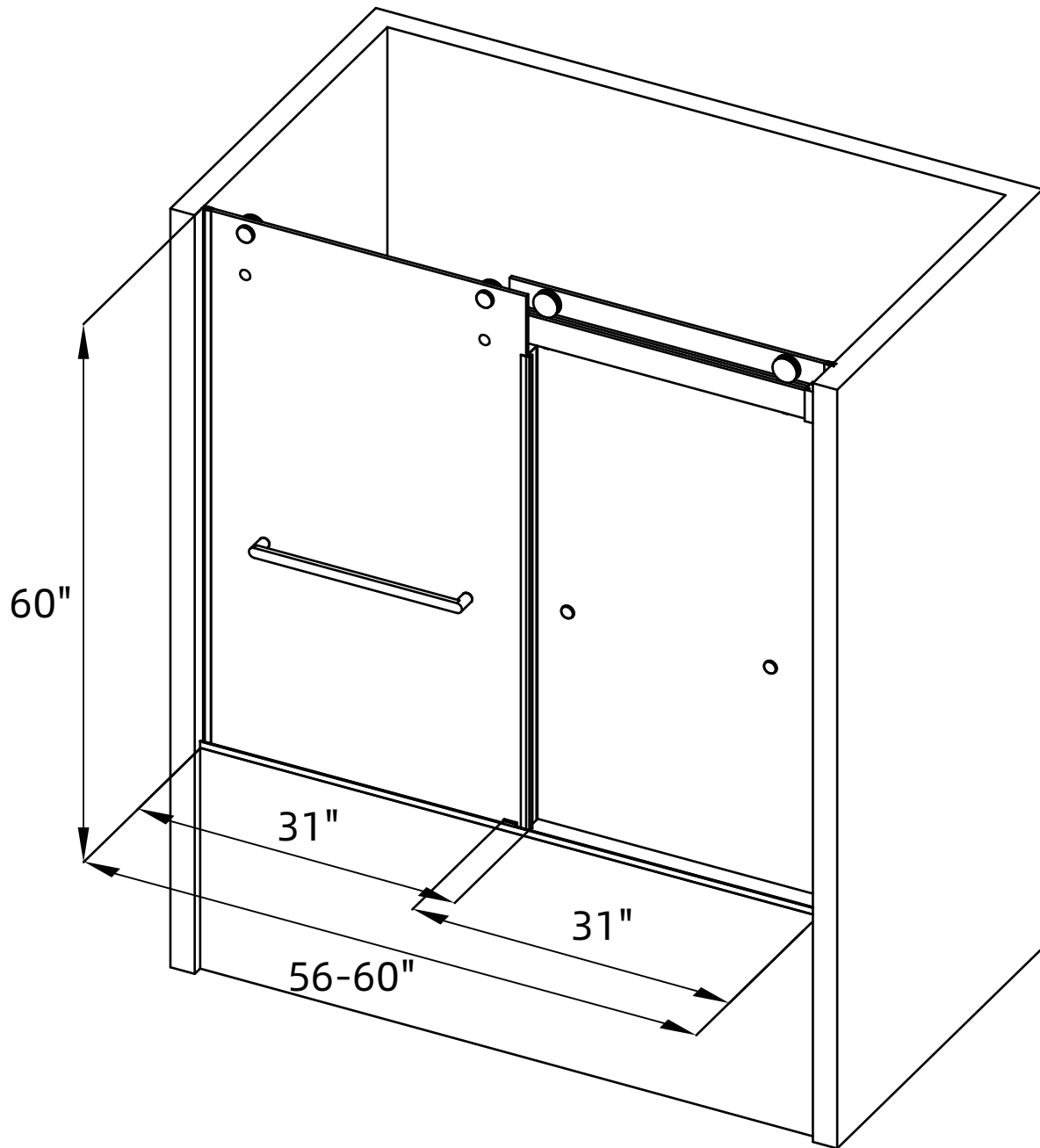


Dimension/Specification



RX-SD03-6060BN