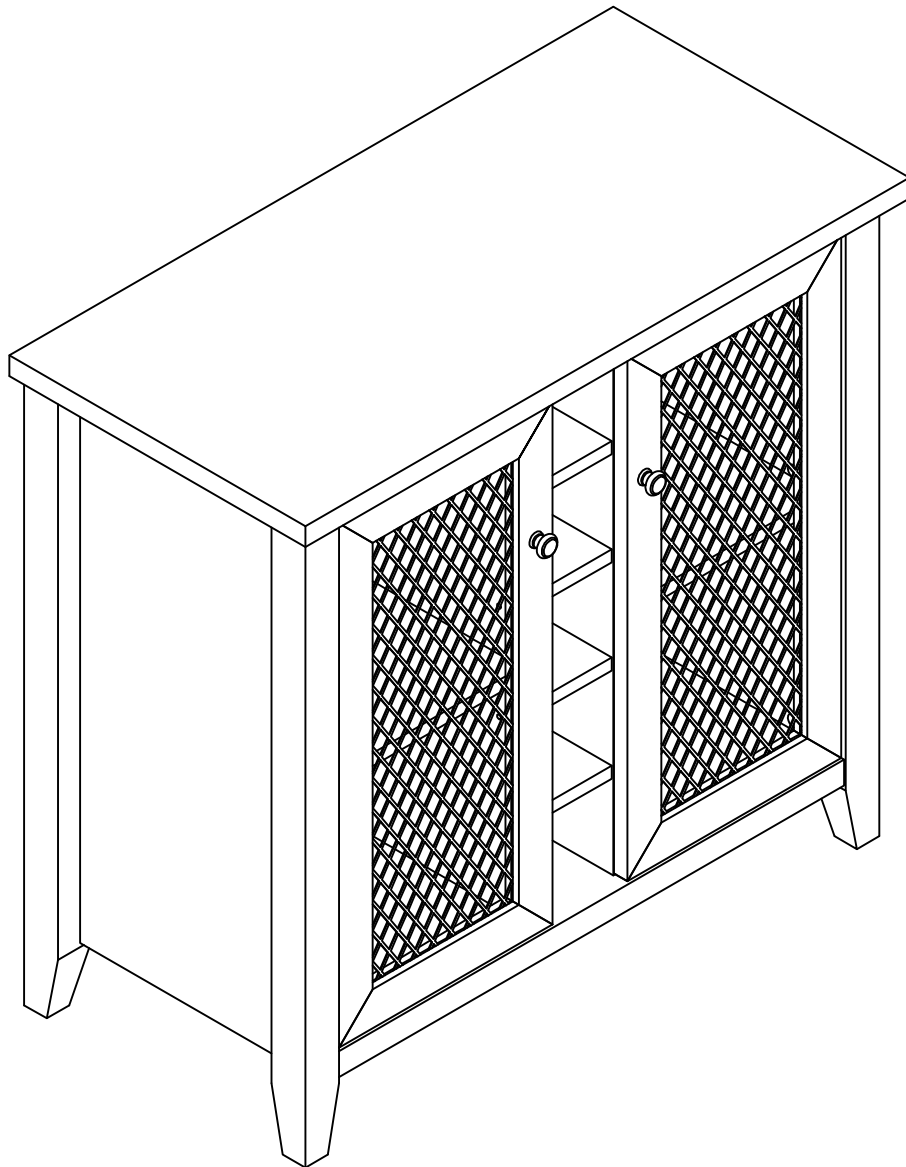


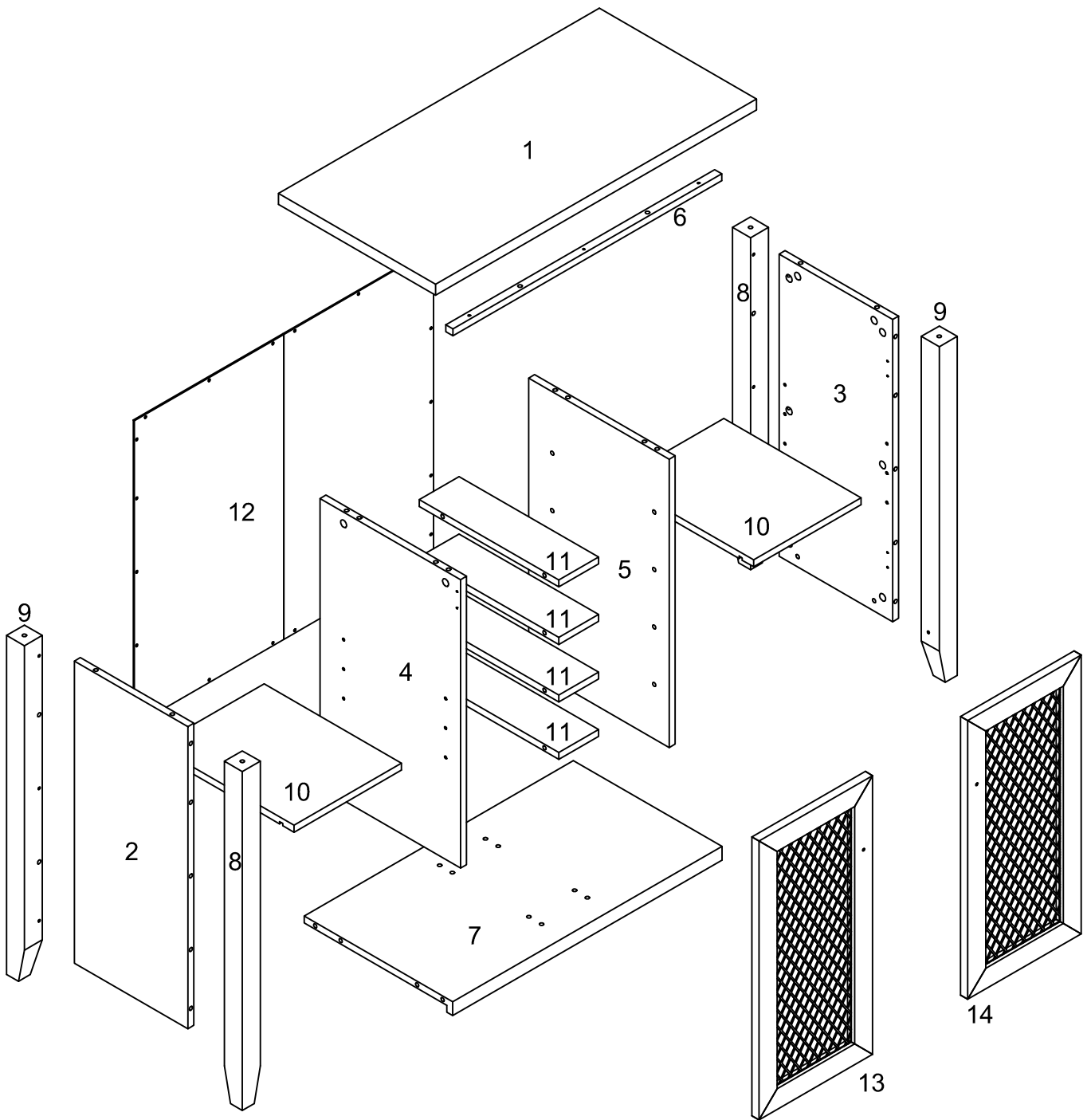
HOME SOURCE[®]

ASSEMBLY INSTRUCTION





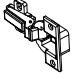














MODEL:JZ12 MOP



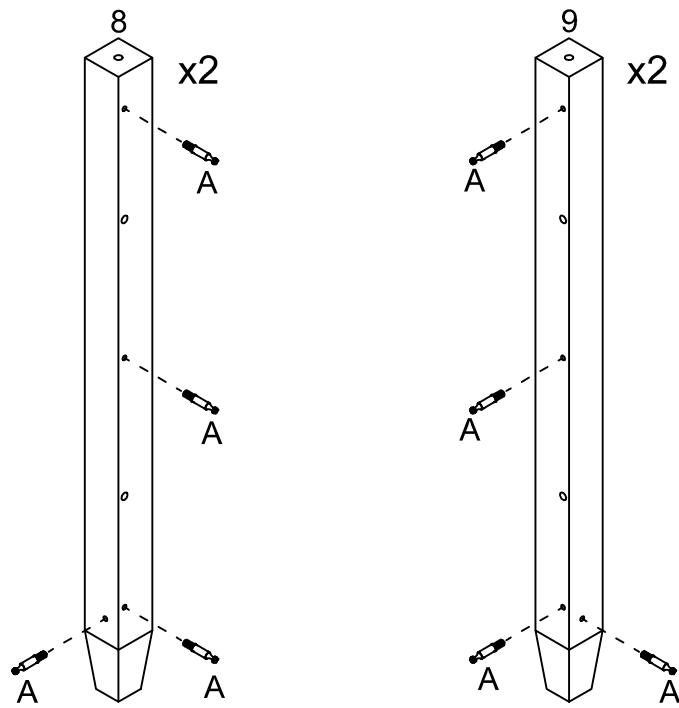
Parts List



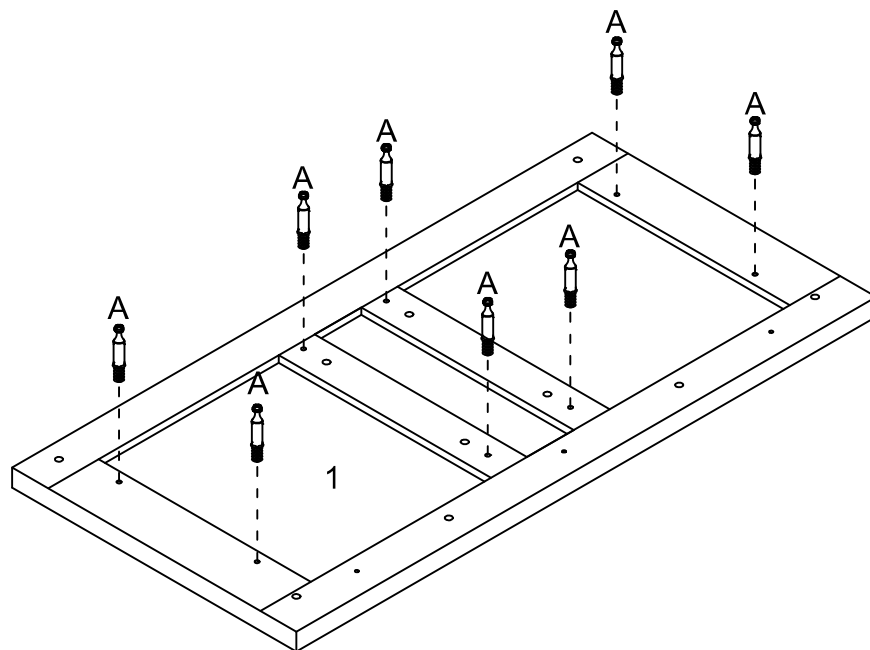
Hardware List

A		Ø5*25mm	Bolt	24 pcs
B		Ø15*11mm	Nut	24 pcs
C		Ø8*30mm	Wood Dowel	42 pcs
D		Ø5*16mm	Shelf Support	8 pcs
E		Ø26mm	Hinge	4 pcs
F		Ø4*15mm	Screw	16 pcs
G		44x16x12mm	Magnet	2 pcs
H		Ø3.5*15mm	Screw	4 pcs
I		30x22x1mm	Iron Sheet	2 pcs
J		Ø3*12mm	Screw	2 pcs
K		Ø6*50mm	Bolt	4 pcs
L		M4	Allen Key	1 pc
M		Ø4*25mm	Screw	3pcs
N		Ø31*25mm	Handle	2 pcs
O		Ø4*24mm	Bolt	2 pcs
P		Ø3*15mm	Screw	22 pcs
Q			Glue	1 pc
R			Paper Cover	10 pcs
S			Anti-Tipping Kit	2 sets

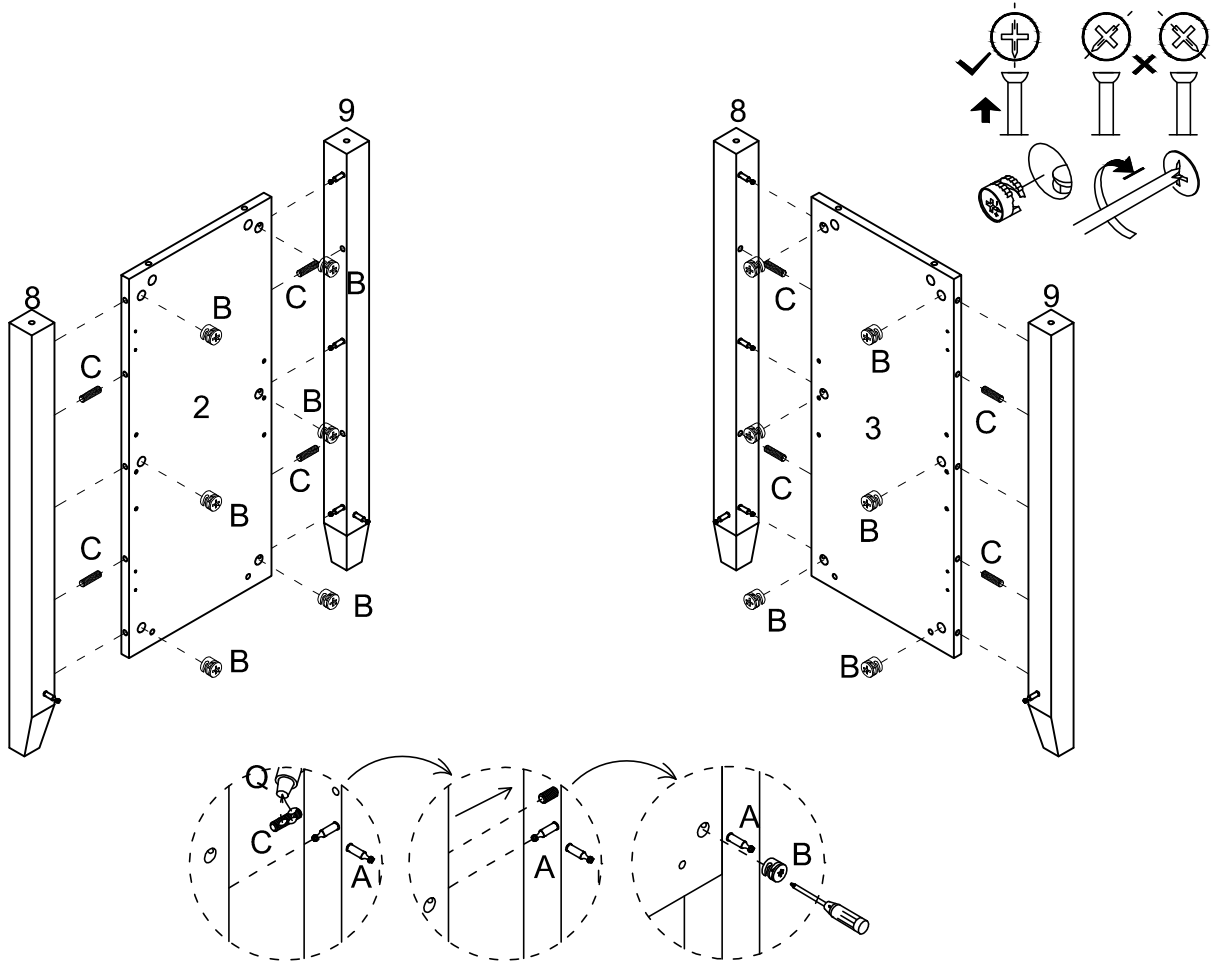
Step 1



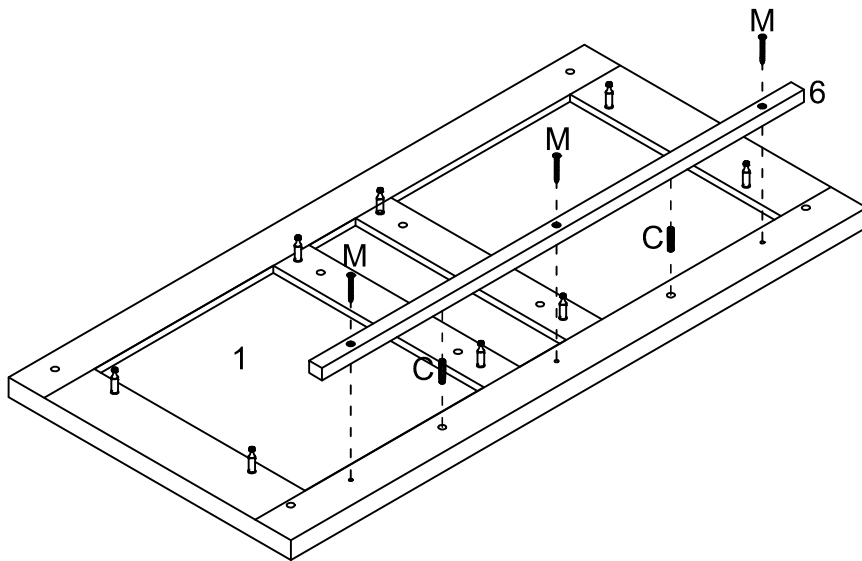
Step 2



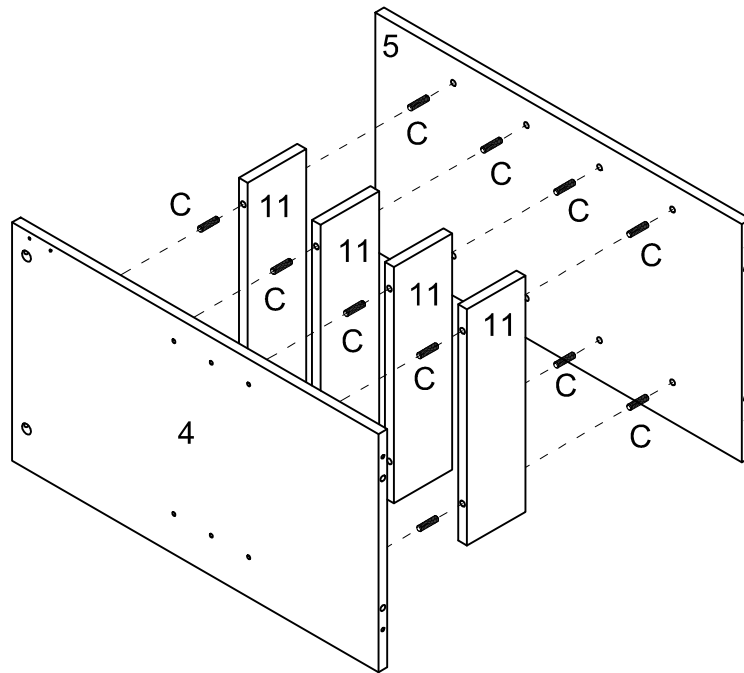
Step 3



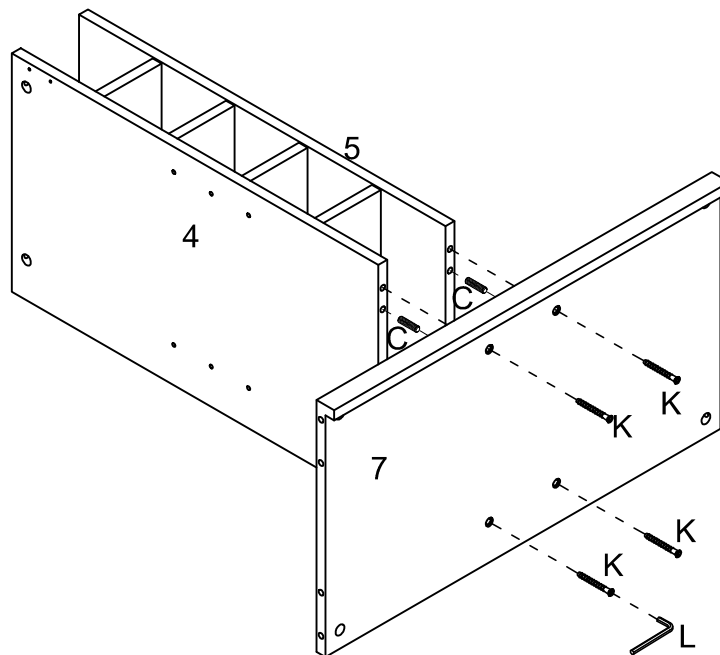
Step 4



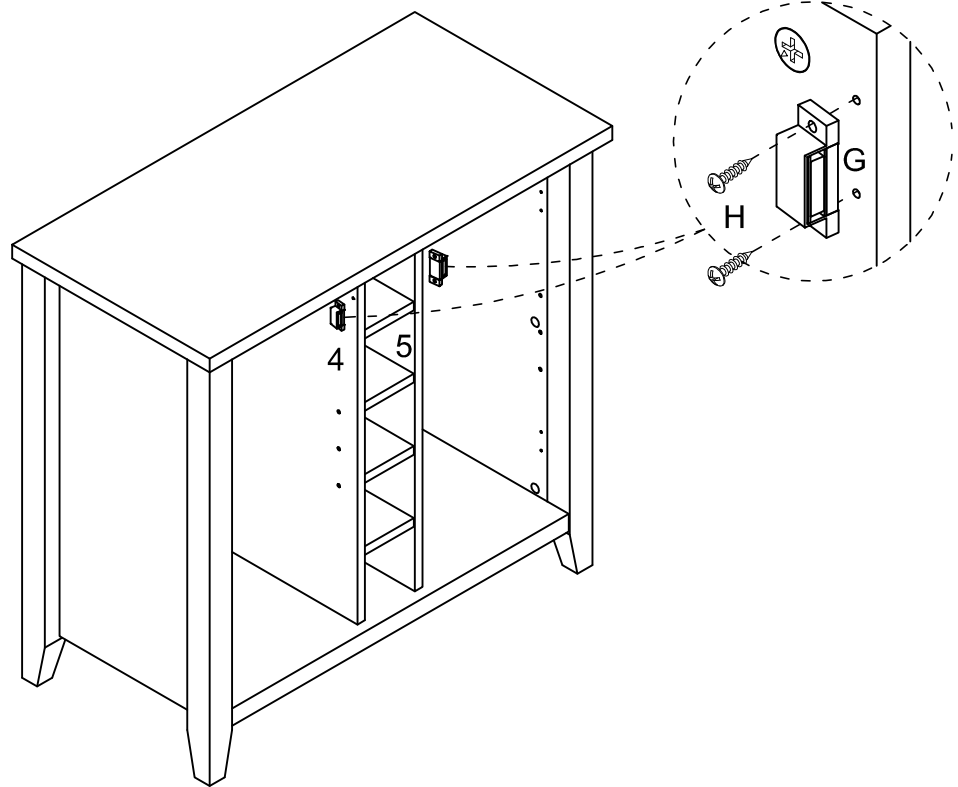
Step 5



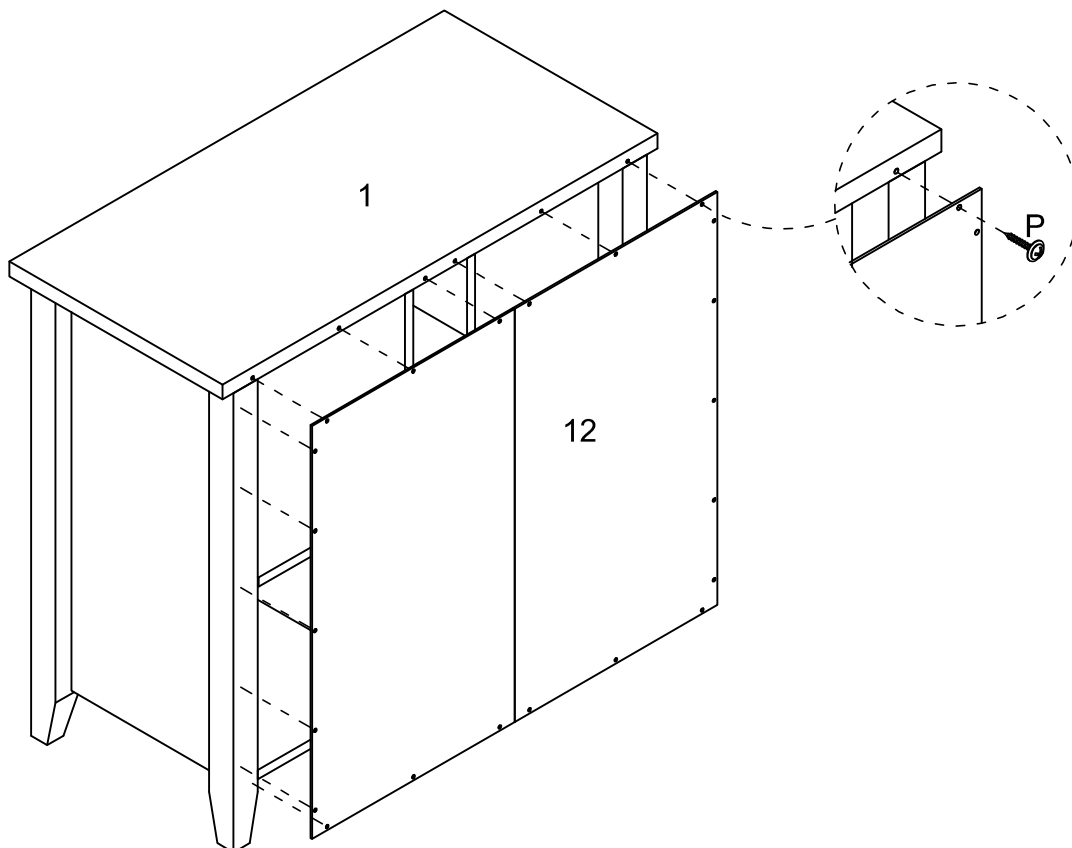
Step 6



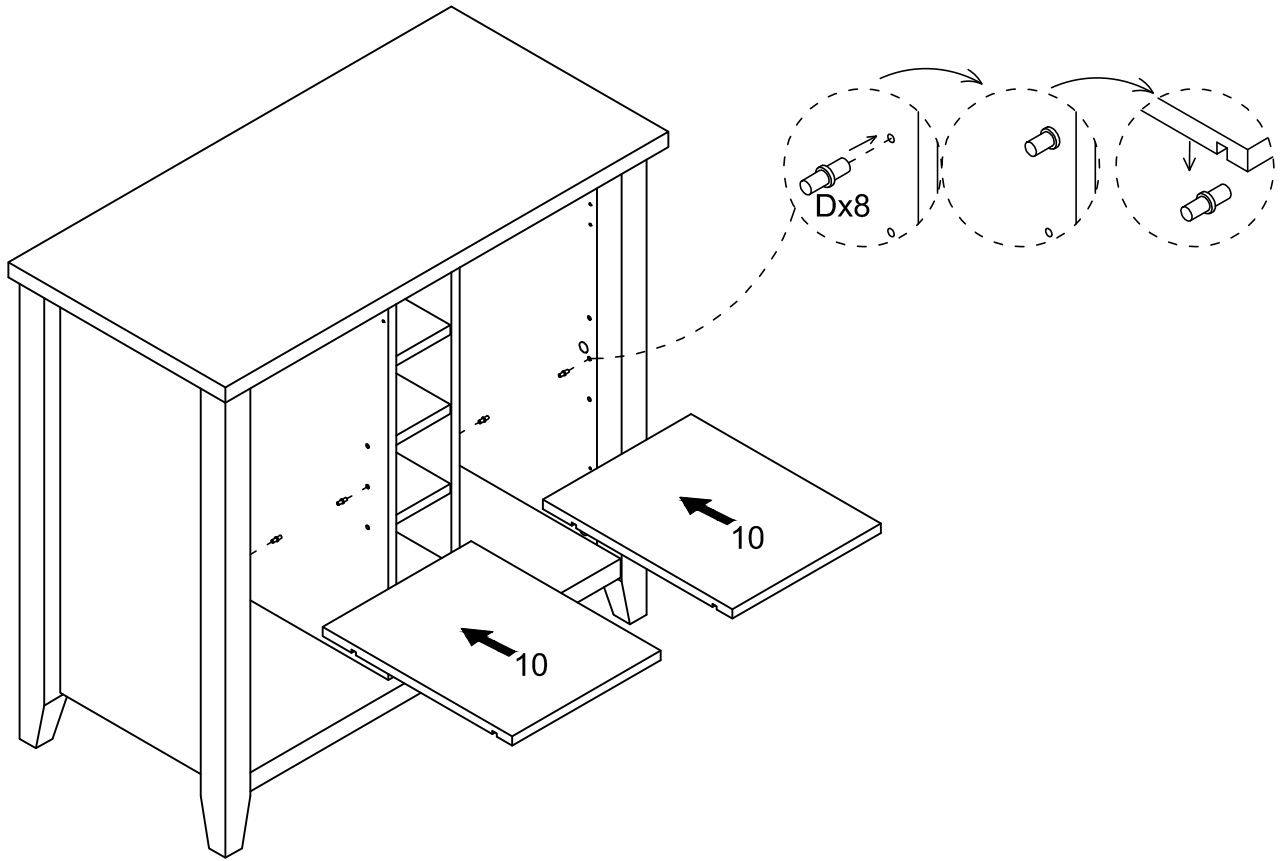
Step 9



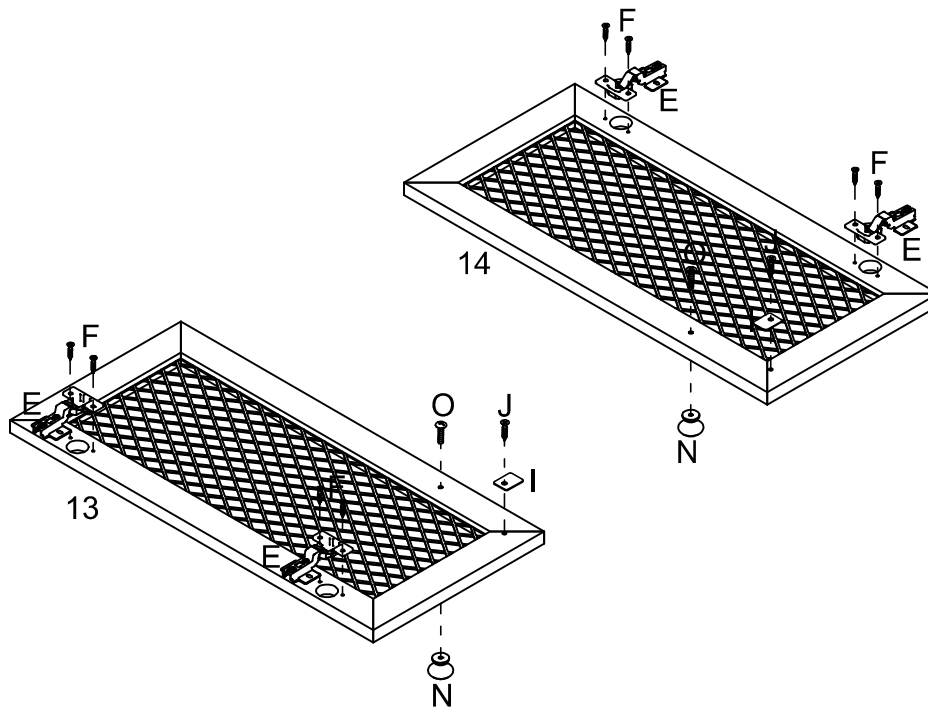
Step 10



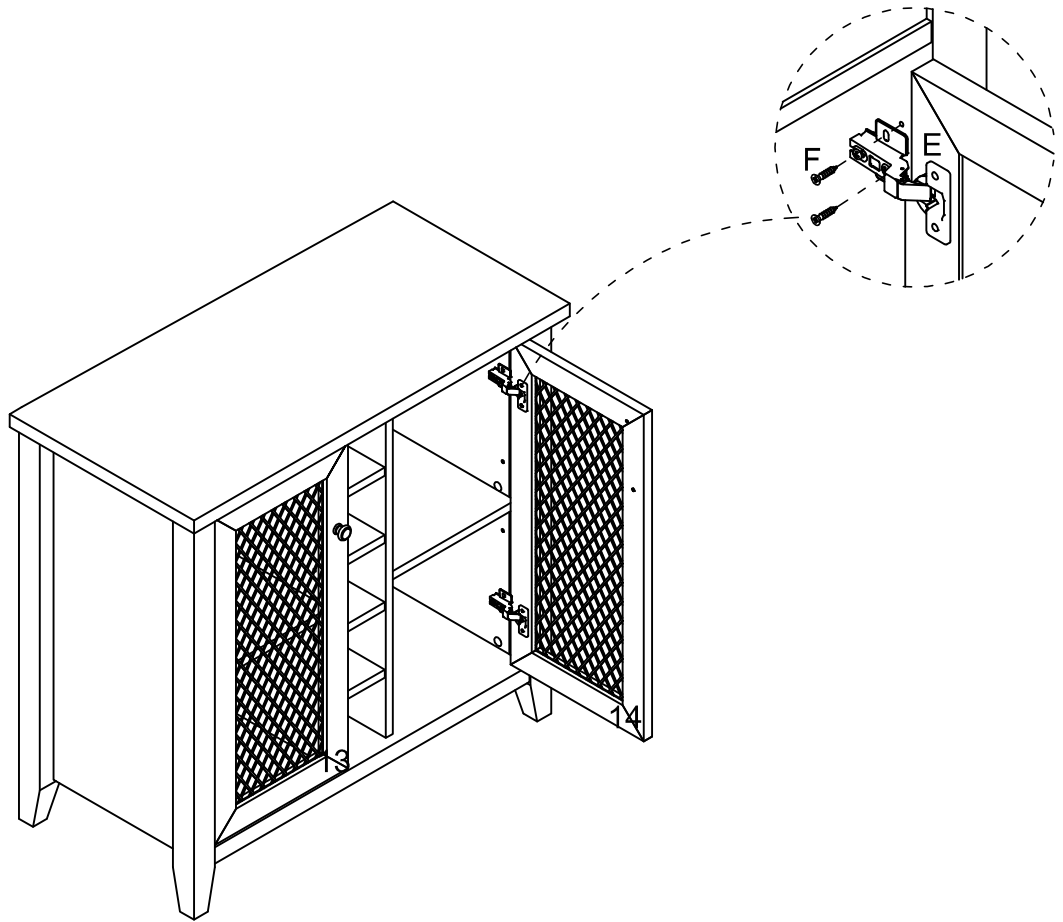
Step 11



Step 12



Step 13



Step 14

