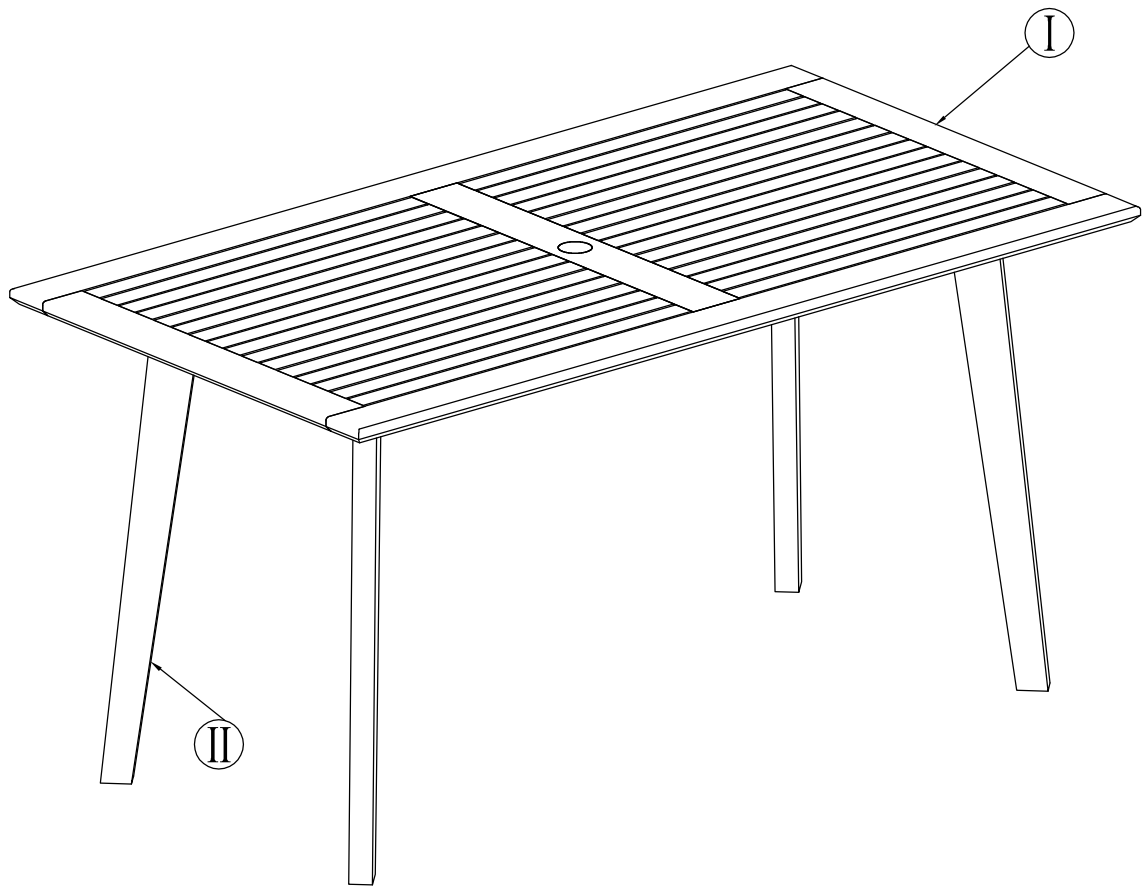


Weight capacity : 75 kgs/ 165 Lbs

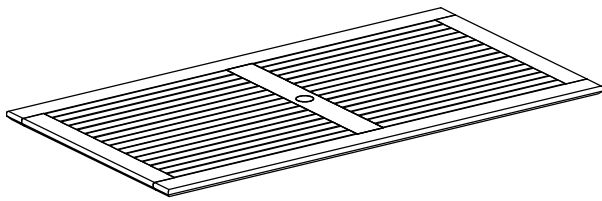




NOTE: 50% TIGHTEN BEFORE FIXING ALL BOLTS & SCREWS

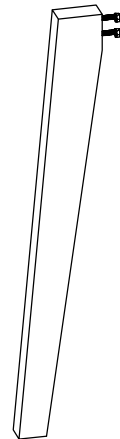
COMPONENTS LIST

I



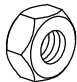
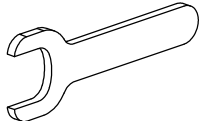
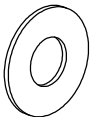
Q'TY 1

II

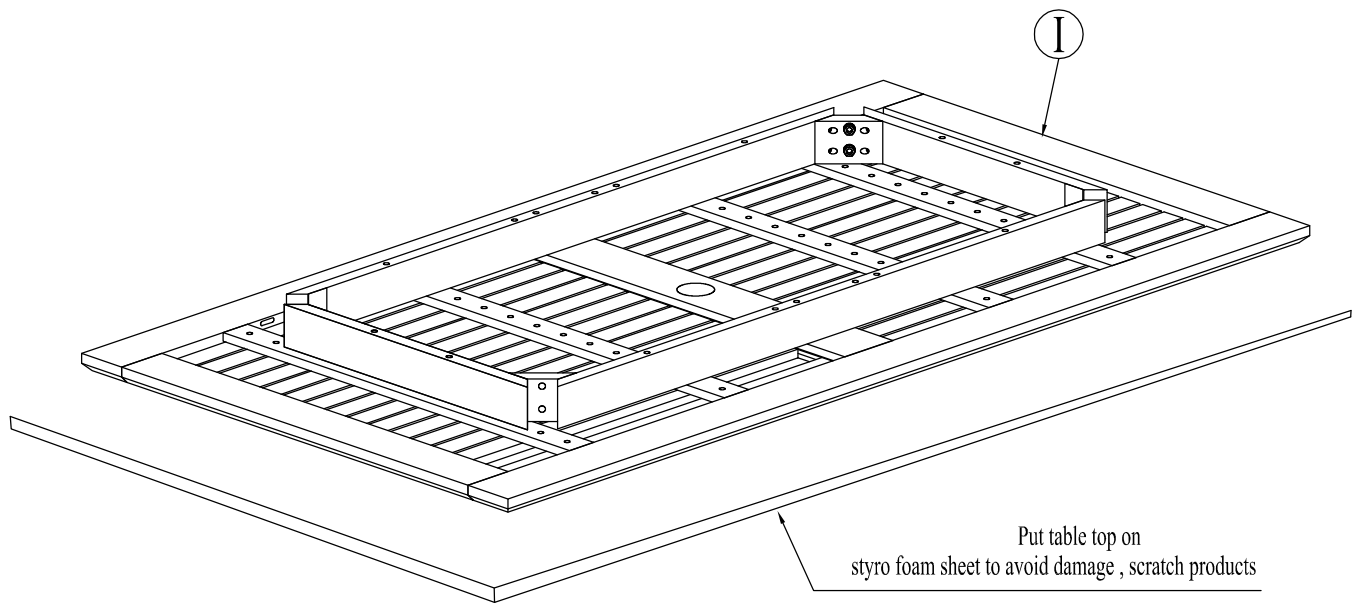


Q'TY 4

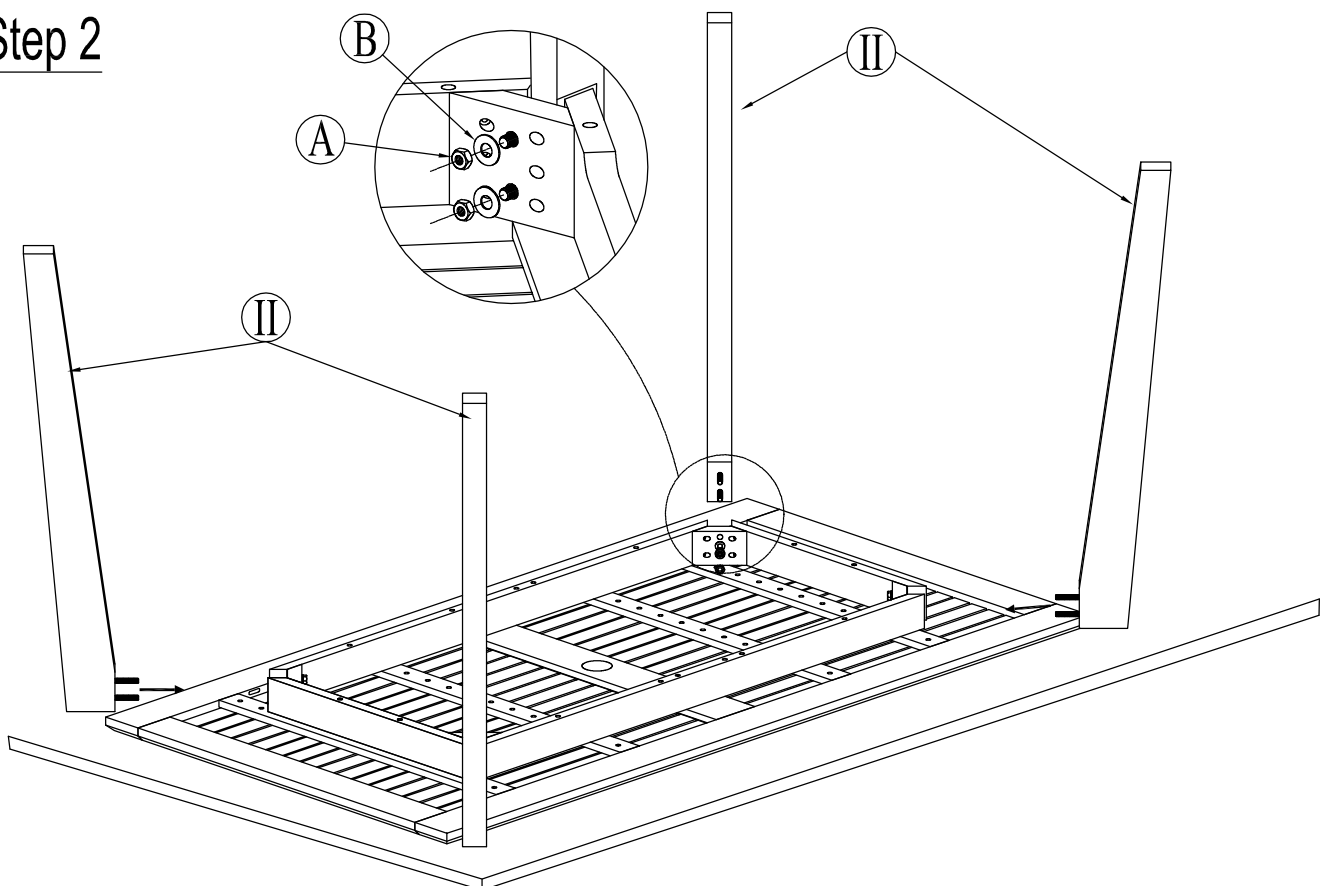
HARDWARE LIST

A		8	Hex. Nut	C		1	Spanner
B		8	Washer				

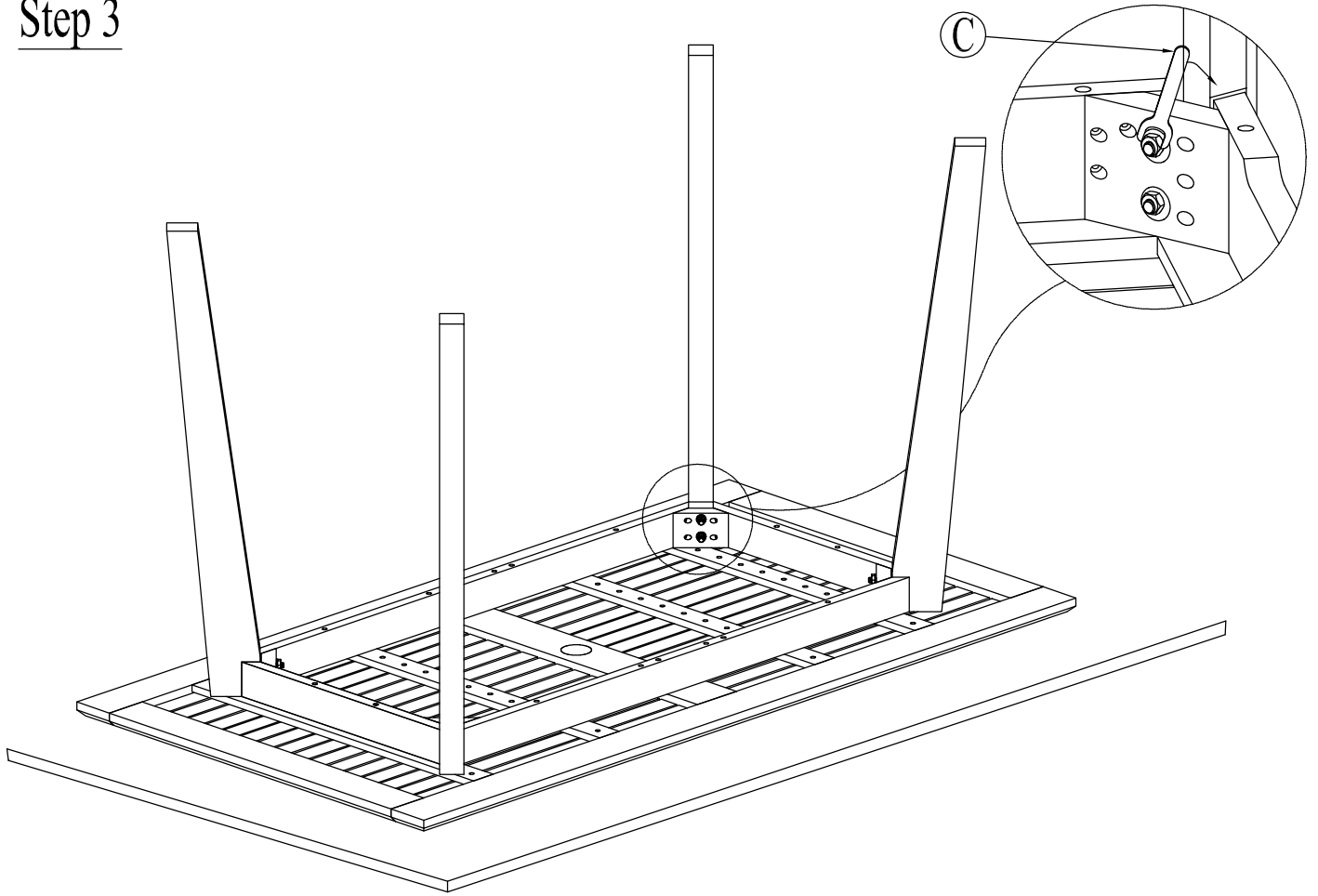
# Step 1



# Step 2



### Step 3



### Step 4

