

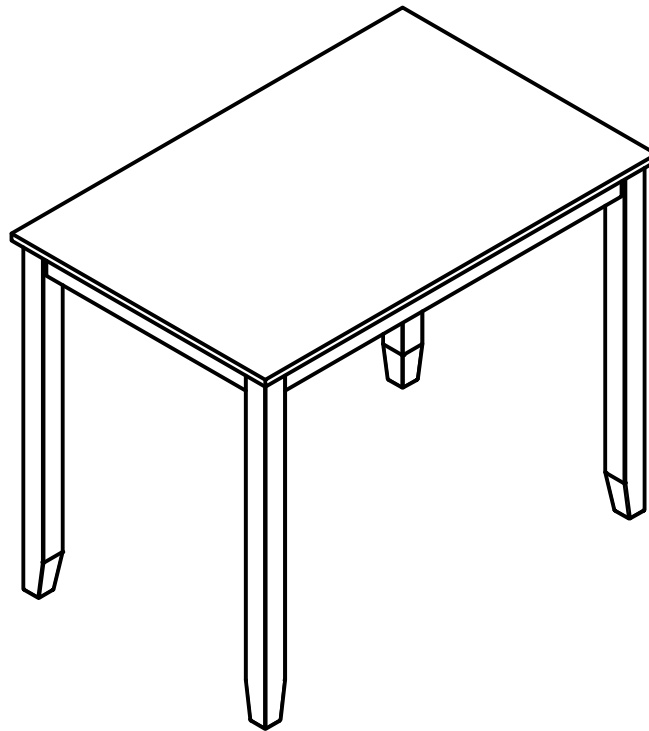
ASSEMBLY INSTRUCTIONS

IMPORTANT NOTE :

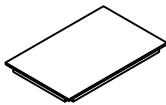
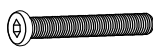

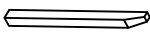


** PLACE ALL PARTS ON A CLEAN AND SMOOTH SURFACE SUCH AS A RUG OR CARPET TO AVOID THE PARTS FROM BEING SCRATCHED.

** BEFORE YOU BEGIN, KINDLY FOLLOW THE ASSEMBLY INSTRUCTIONS STEP BY STEP.

**DO NOT TIGHTEN ALL SCREWS AND BOLTS UNTIL THE CHAIR IS FULLY SET-UP.

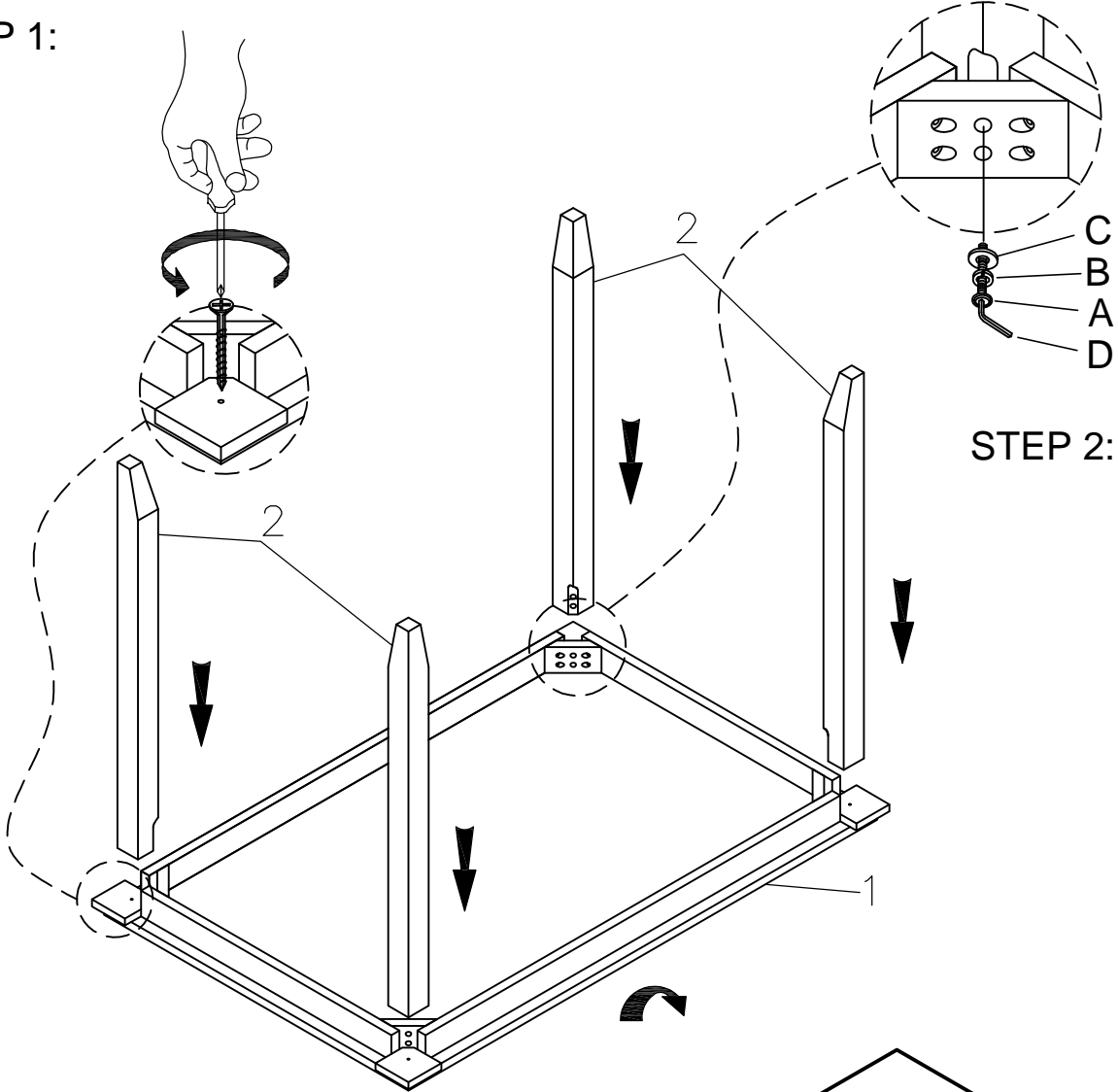


CARTONS ONLY ONE/ CARTONS SEULEMENT UN

PART LISTS				HARDWARE LISTS			
NO.	DESCRIPTION	SKETCH	Q'TY	NO.	DESCRIPTION	SKETCH	Q'TY
1	TABLE TOP		1 PC	A	BOLT Ø5/16" x 64mmL		8PCS
				B	SPRING WASHER Ø5/16" x 13mmL		8PCS
2	LEGS		4 PCS	C	FLAT WASHER Ø5/16" x 22mmL		8PCS
				D	ALLEN KEY		1PC

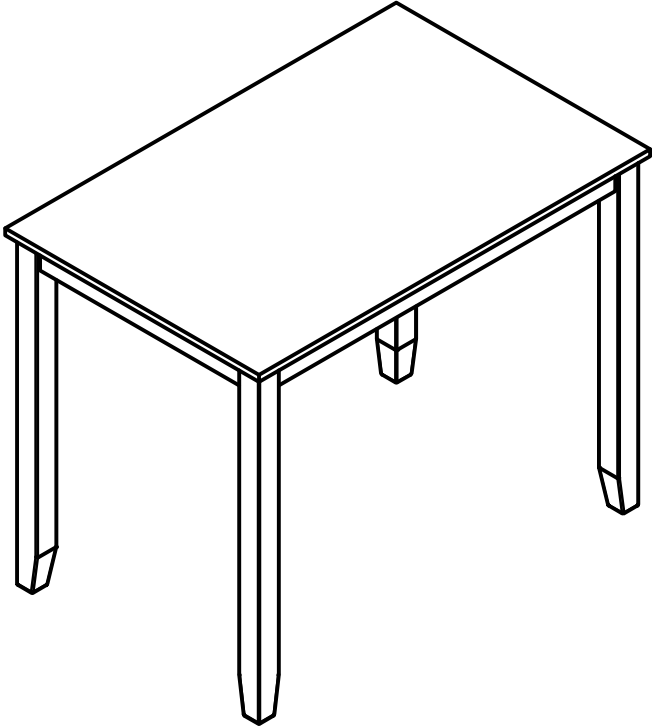
ASSEMBLY INSTRUCTIONS

STEP 1:



STEP 2:

STEP 3:



ASSEMBLY INSTRUCTIONS

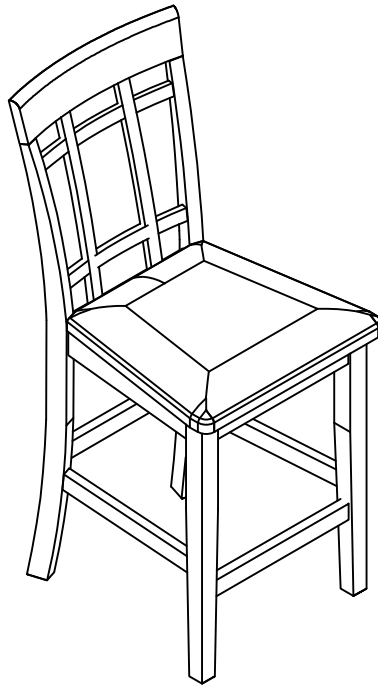
-DINING CHAIR

IMPORTANT NOTE :

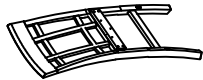

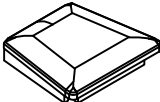



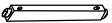

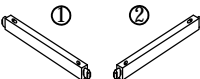

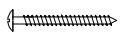


** PLACE ALL PARTS ON A CLEAN AND SMOOTH SURFACE SUCH AS A RUG OR CARPET TO AVOID THE PARTS FROM BEING SCRATCHED.

** BEFORE YOU BEGIN, KINDLY FOLLOW THE ASSEMBLY INSTRUCTIONS STEP BY STEP.

**DO NOT TIGHTEN ALL SCREWS AND BOLTS UNTIL THE CHAIR IS FULLY SET-UP.

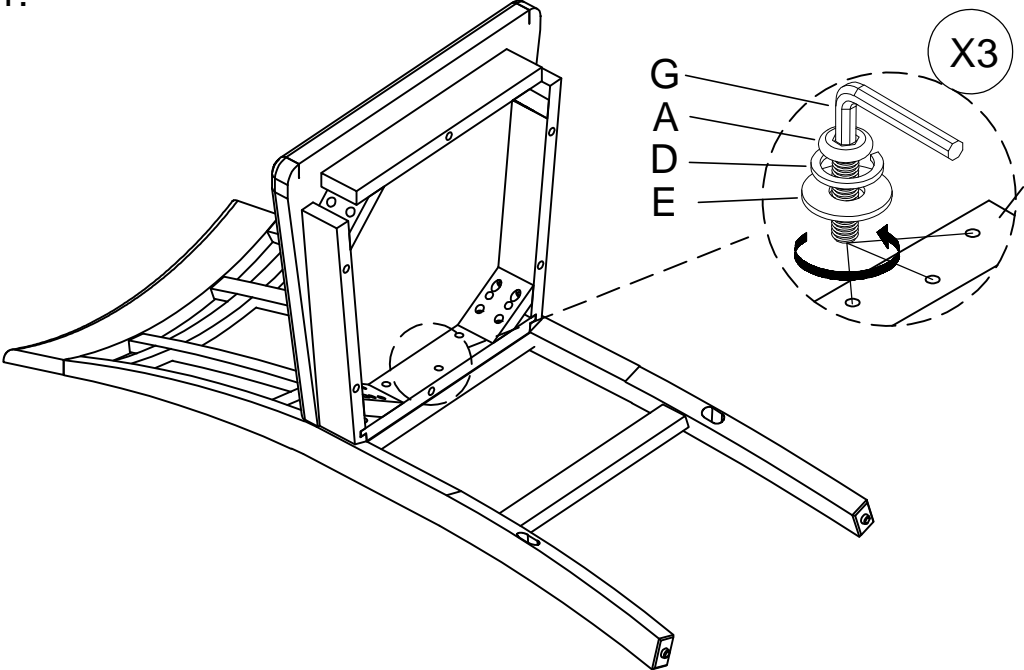


CARTONS ONLY ONE/ CARTONS SEULEMENT UN

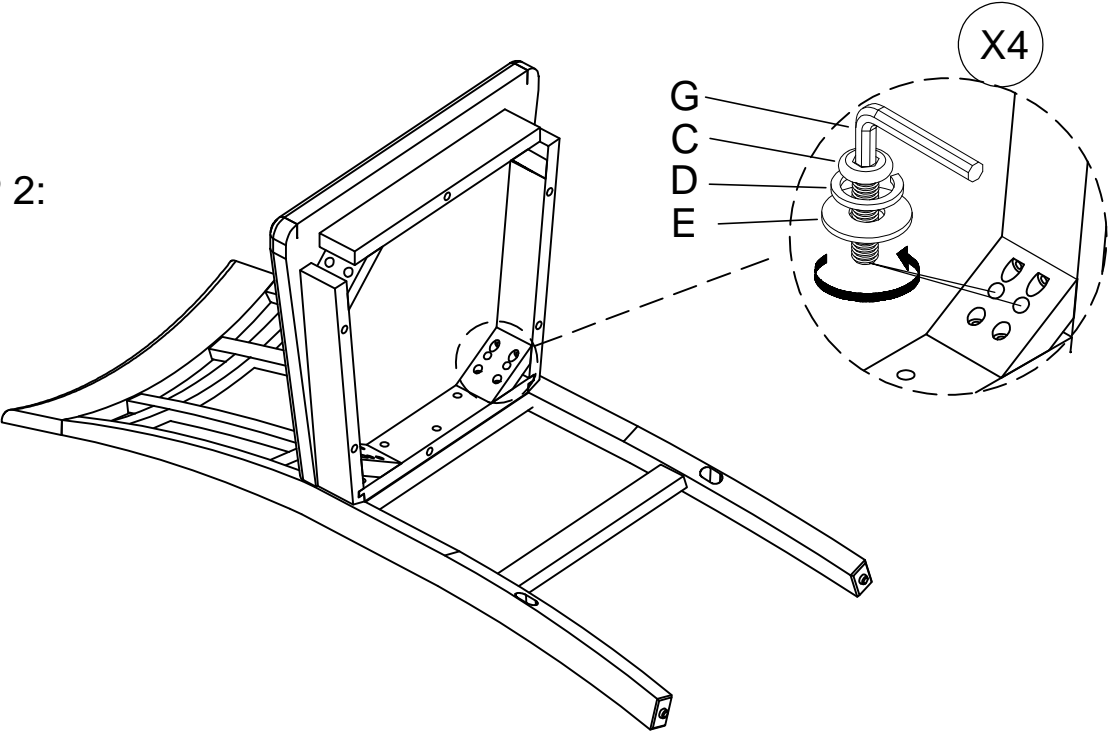
PART LISTS				HARDWARE LISTS			
NO.	DESCRIPTION	SKETCH	Q'TY	NO.	DESCRIPTION	SKETCH	Q'TY
1	CHAIR BACK		1 PC	A	BOLT Ø5/16" x 38mmL		3PCS
2	SEAT		1 PC	B	BOLT Ø5/16" x 60mmL		4PCS
3	FRONT LEGS		2 PCS	C	BOLT Ø5/16" x 75mmL		4PCS
4	FRONT STRECHER		1 PC	D	SPRING WASHER Ø5/16" x 13mmL		11PCS
5	SIDE STRECHER		2 PC	E	FLAT WASHER Ø5/16" x 22mmL		11PCS
				F	CREW Ø4 x 45mmL		6PCS
				G	ALLEN KEY		1PC
						 Not Included	

ASSEMBLY INSTRUCTIONS

STEP 1:

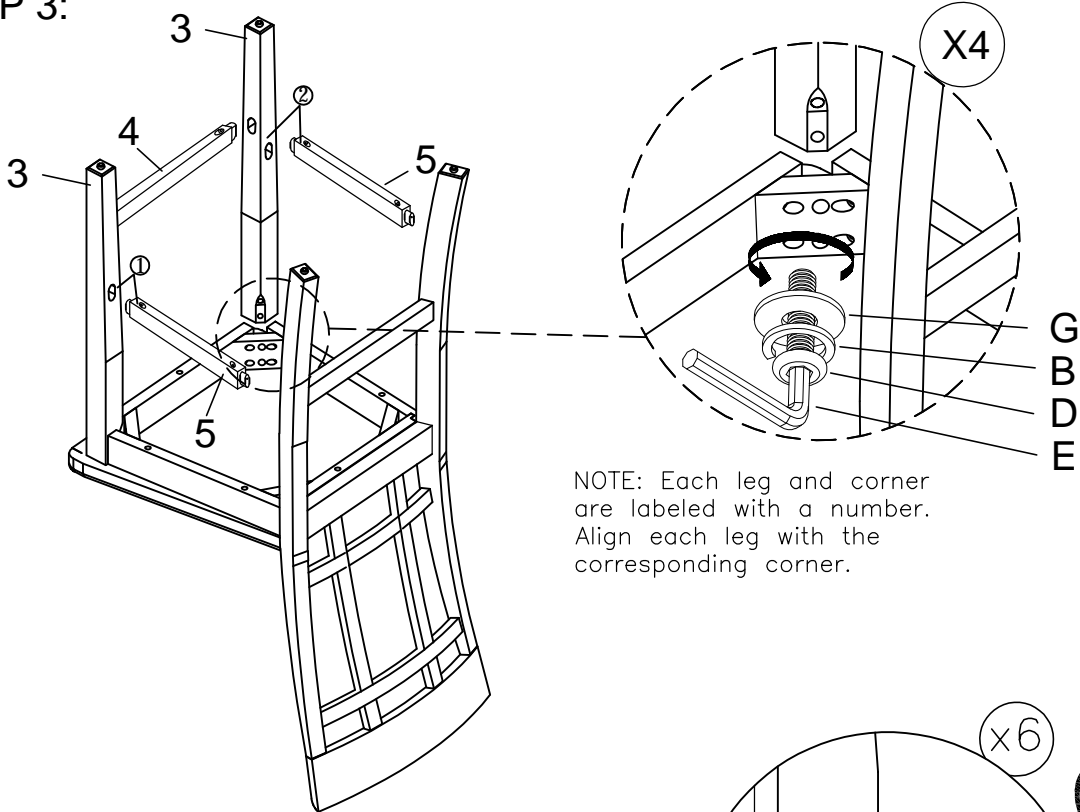


STEP 2:



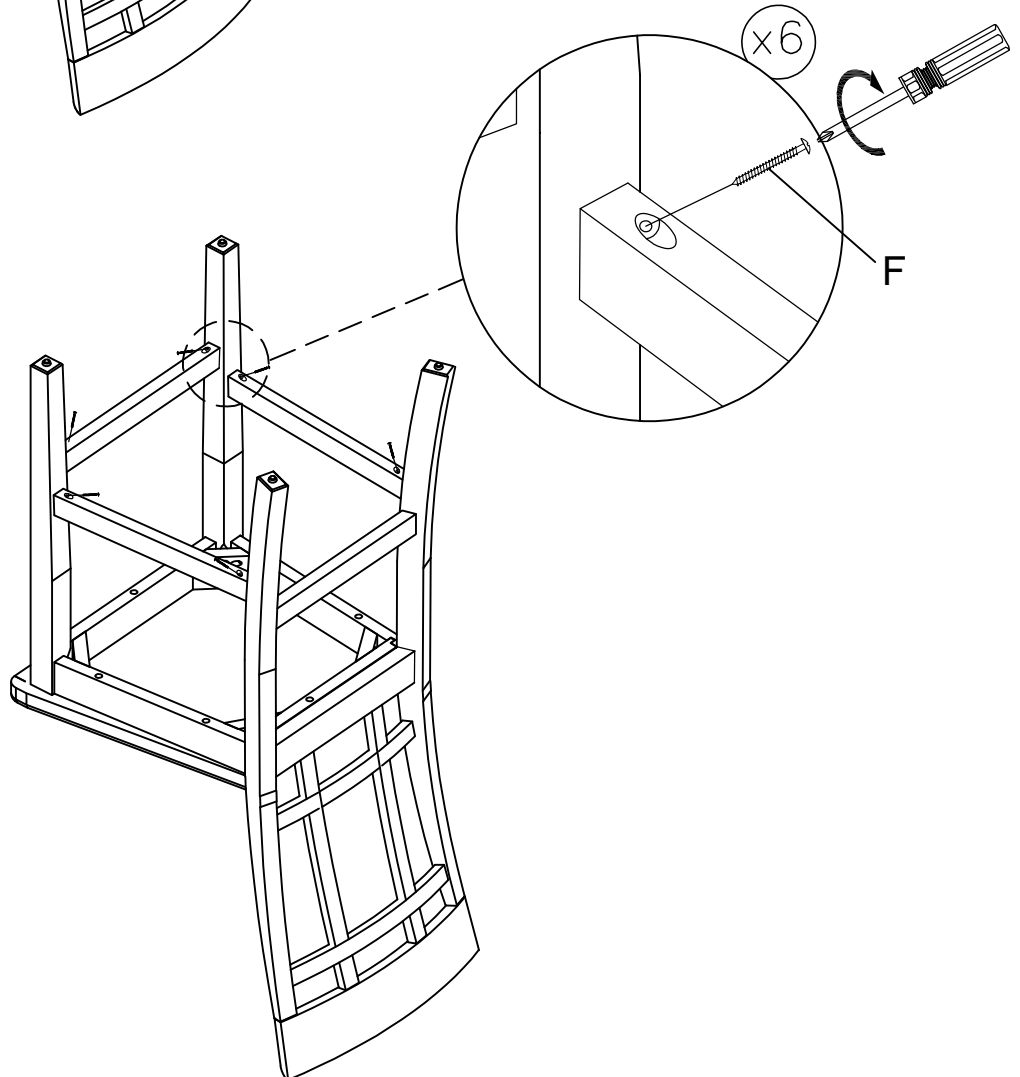
ASSEMBLY INSTRUCTIONS

STEP 3:



NOTE: Each leg and corner are labeled with a number. Align each leg with the corresponding corner.

STEP 4:



NOTE: Level the chair and tighten all bolts with the allen wrench.