



33 35TH STREET, INDUSTRY CITY BLDG.5, A405, BROOKLYN, NY 11232  
T 212.355.0625 F 212.355.0628 WWW.OASIQ.COM



**305-SF Sofa**

W 76 1/4" D 28 1/2" H 23 5/8"

AH 23 5/8" SH 9 3/4" OSH 13 3/4"

62.98 lbs

Teak & black PP webbing

Cushions: 305-SF-X

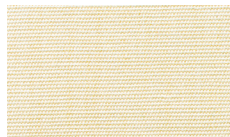
Seat cushion: L 35" W 26 1/4" H 4"

Back cushion: L 24" W 20" (4pcs/set)

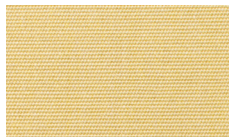
**FABRIC AVAILABLE FOR ASTOR, HAMILTON, MADISON, DELANCEY & LIMITED COLLECTIONS**



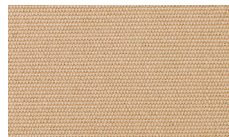
Canvas Natural 5404-0000



Canvas Vellum 5498-0000



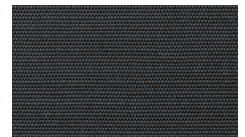
Canvas Wheat 5414-0000



Canvas Camel 5468-0000



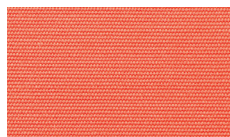
Canvas Granite 5402-0000



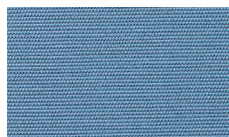
Canvas Black 5408-0000



Canvas Buttercup 5438-0000



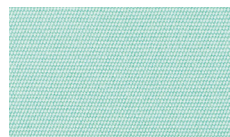
Canvas Melon 5415-0000



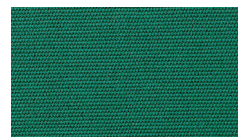
Canvas Sapphire Blue 5452-0000



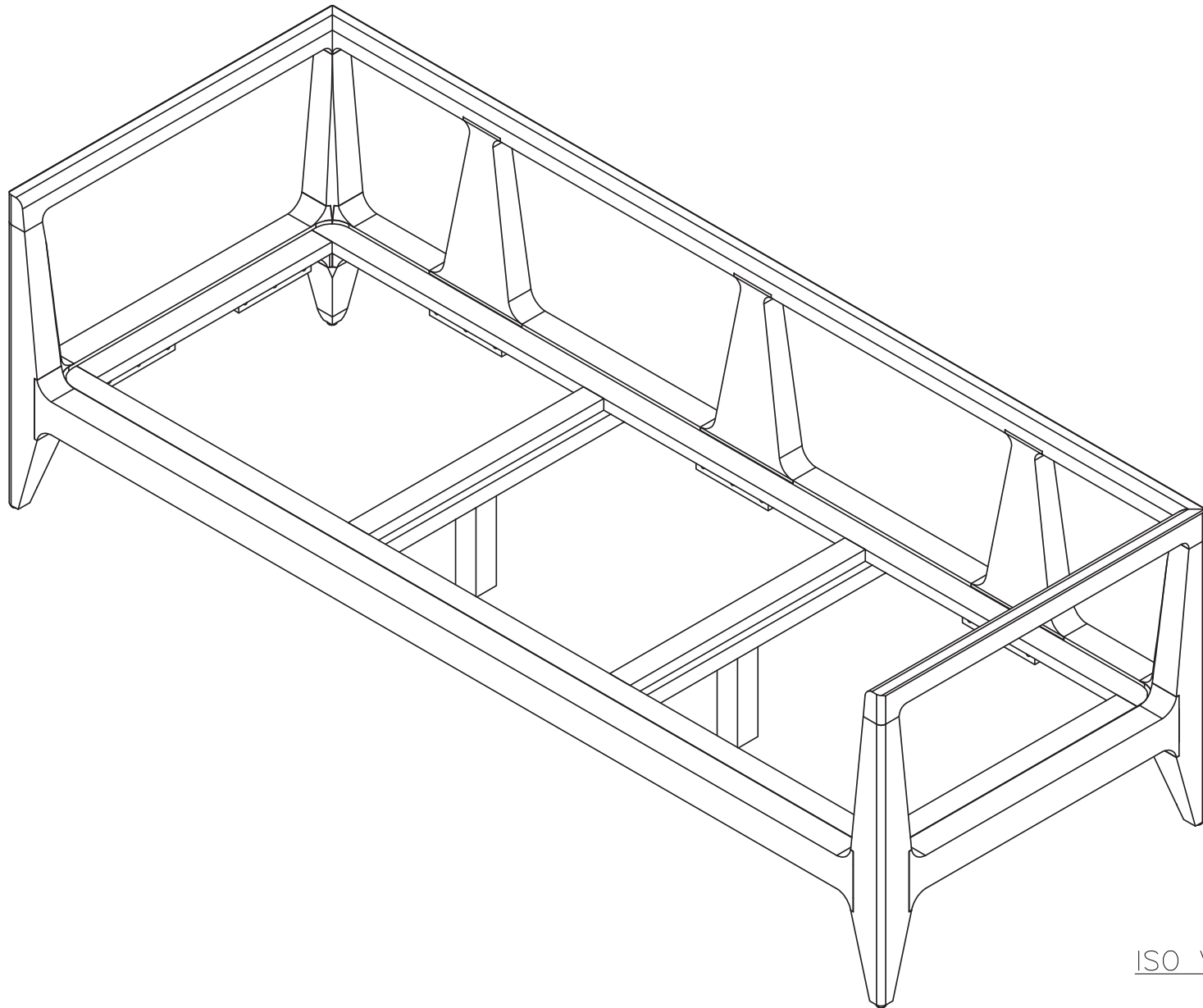
Canvas Sky Blue 5424-0000



Canvas Glacier 5428-0000



Canvas Forest Green 5446-0000



ISO VIEW

ISO

**OASIQ**

DWG.NO: FAEDG0005T-7

TITLE :ISO VIEW

DIM EXT: 721.3x1936.5x601.5 MM.

MATERIAL: TEAK

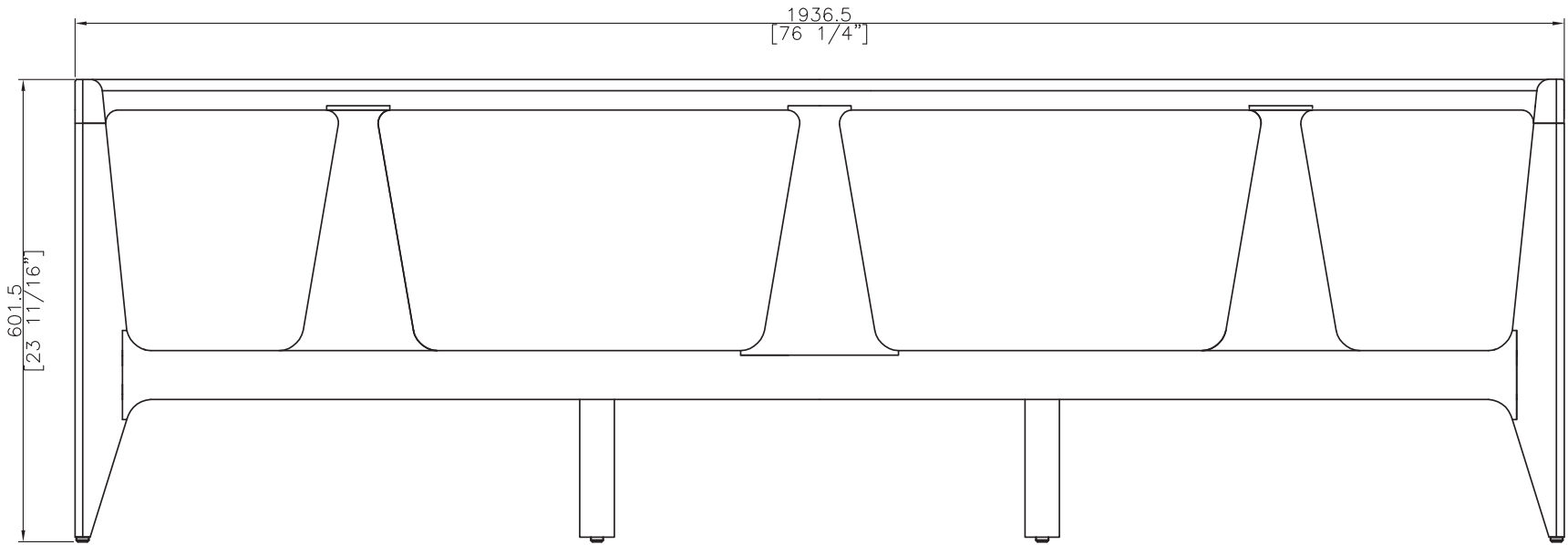
DRAWN BY : BURAPHA

FINISH DATE : 19/01/07  
BEGIN DATE : 18/09/06

NOP  
KLA

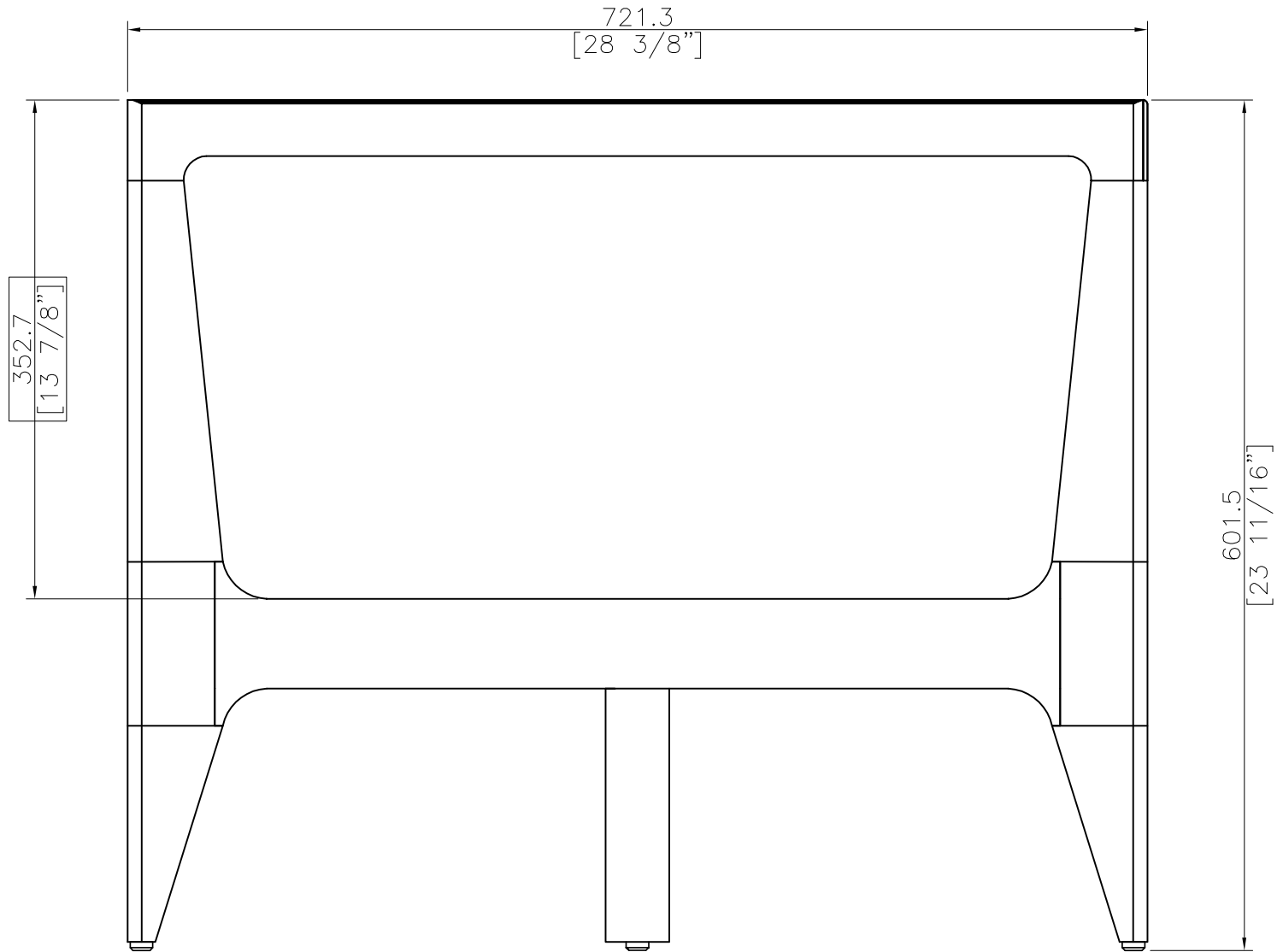
SCALE  
no scale

P.3



FRONT

<b>OASIQ</b>	DWG.NO: FAEDG0005T-7	TITLE : FRONT	DIM EXT: 721.3x1936.5x601.5 MM.	MATERIAL: TEAK	DRAWN BY : ANON	FINISH DATE : 20/01/07	NON	SCALE	EF
						BEGIN DATE : 18/09/06	KLA	no scale	



SIDE

ES

**OASIQ**

DWG.NO: FAEDG0005T-7

TITLE : SIDE DIM EXT: 721.3x1936.5x601.5 MM.

MATERIAL: TEAK

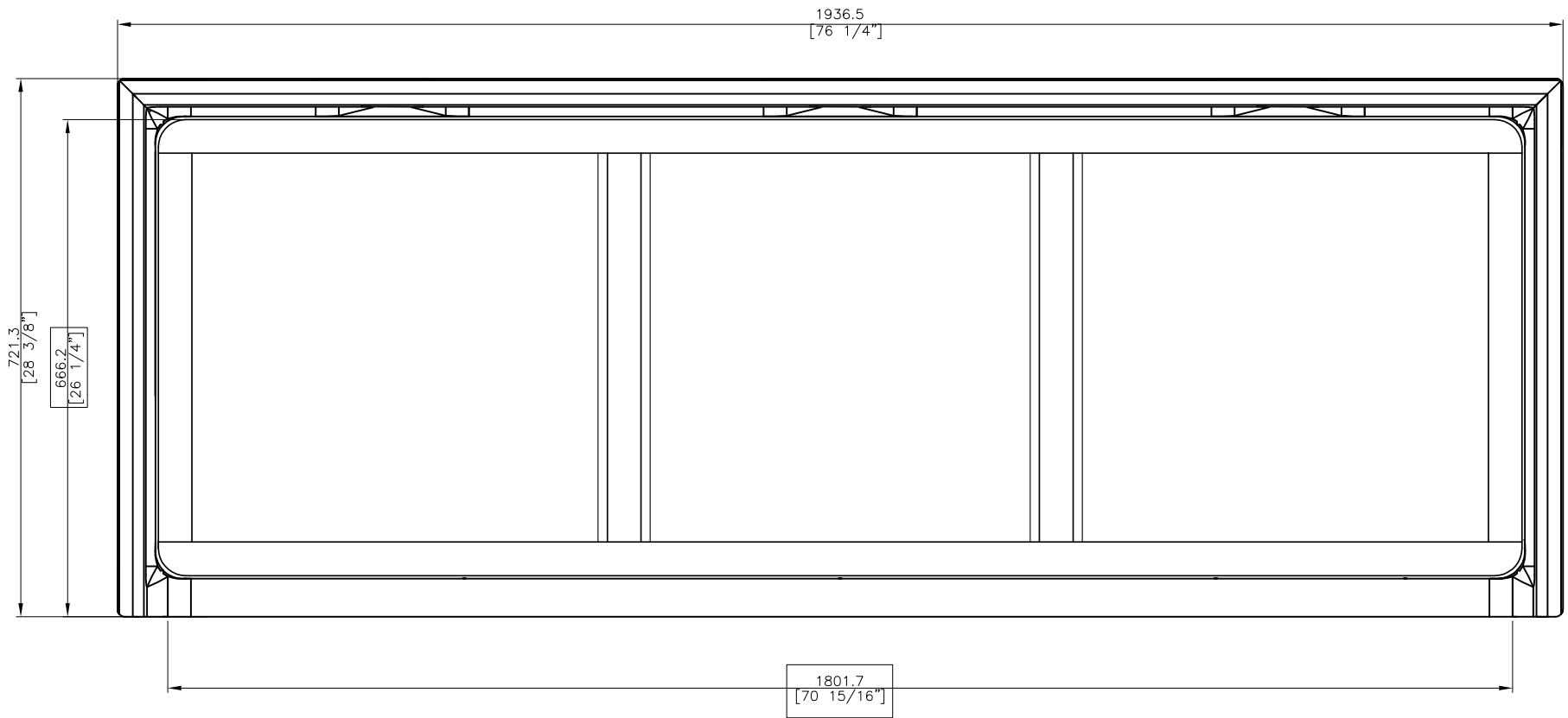
DRAWN BY : ANON

FINISH DATE : 20/01/07  
 BEGIN DATE : 18/09/08

NON  
 KLA

SCALE  
 no scale

P.6



TOP

ET  
P.4

**OASIQ**

DWG.NO: FAEDG0005T-7

TITLE :TOP DIM EXT: 721.3x1936.5x601.5 MM.

MATERIAL:TEAK

DRAWN BY : NOPPADON

FINISH DATE : 18-11-06  
BEGIN DATE : 18/09/08

NOP  
KLA

SCALE  
no scale